



US00D884894S

(12) **United States Design Patent**
Hussein

(10) **Patent No.:** **US D884,894 S**

(45) **Date of Patent:** **** May 19, 2020**

(54) **DENTAL INSTRUMENT**

(71) Applicant: **University of Florida Research Foundation, Inc.**, Gainesville, FL (US)

(72) Inventor: **Hind Sattar Hussein**, Gainesville, FL (US)

(73) Assignee: **University of Florida Research Foundation, Inc.**, Gainesville, FL (US)

(**) Term: **15 Years**

(21) Appl. No.: **29/677,869**

(22) Filed: **Jan. 24, 2019**

(51) **LOC (12) Cl.** **24-02**

(52) **U.S. Cl.**
USPC **D24/152**

(58) **Field of Classification Search**
USPC D24/119, 133, 143, 147, 152, 153, 154, D24/156; D28/55, 56, 57, 65; D8/14, D8/105, 107, 300, 303; 433/118, 119, 433/143
CPC A61C 17/00; A61C 17/20; A61C 17/0202; A61C 17/225; A61C 3/00; A61C 3/02; A61C 3/10; A61C 3/14; A61C 3/16; A61C 15/00; A61C 15/02; A61C 15/048; A61C 1/10; A61C 1/14; A61C 7/00; A61C 7/02; A61C 7/04; A61B 1/24
See application file for complete search history.

(56) **References Cited**

U.S. PATENT DOCUMENTS

D249,062 S * 8/1978 Crafoord 433/141
D259,660 S * 6/1981 Sosnay D24/149
4,505,678 A * 3/1985 Andersson A61C 17/00
433/143
D301,962 S * 7/1989 Huang D8/14
5,816,806 A * 10/1998 Herbst A61C 3/00
433/141
6,042,378 A * 3/2000 Fischer A61C 3/00
433/141

D435,293 S * 12/2000 Tang D24/119
D439,494 S * 3/2001 Mark D24/119
D446,858 S * 8/2001 Holms D24/152

(Continued)

Primary Examiner — Wan Laymon

Assistant Examiner — Clint A Samuel

(74) *Attorney, Agent, or Firm* — Thomas I Horstemeyer LLP

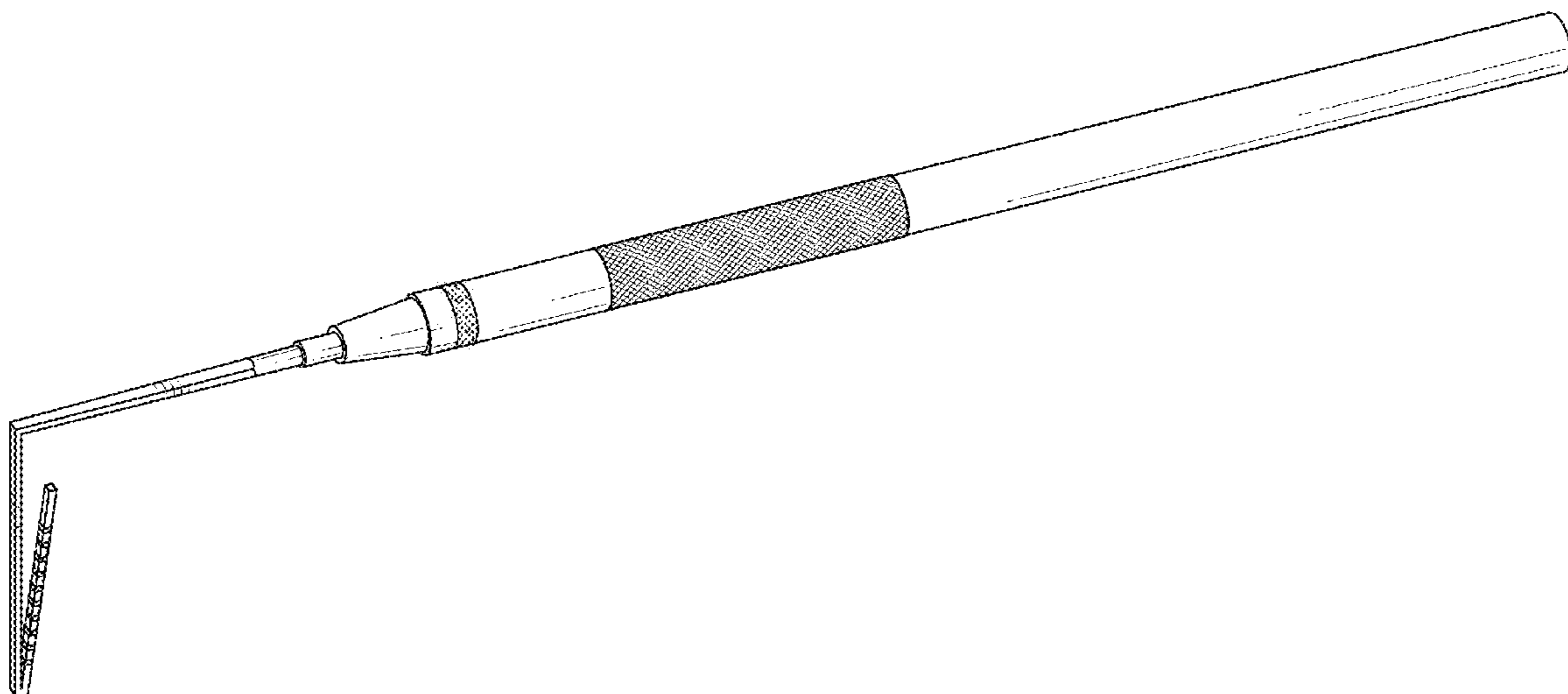
(57) **CLAIM**

The ornamental design for a dental instrument, as shown and described.

DESCRIPTION

FIG. 1 is a perspective view showing a first embodiment of the new design for a dental instrument;
FIG. 2 is a side view thereof;
FIG. 3 is a side view thereof from a side opposite that of FIG. 2;
FIG. 4 is a rear view thereof;
FIG. 5 is a front view thereof;
FIG. 6 is a top view thereof;
FIG. 7 is a bottom view thereof;
FIG. 8 is a perspective view showing a second embodiment of the new design for a dental instrument having a callout region 15;
FIG. 9 is a side view thereof;
FIG. 10 is a side view thereof from a side opposite that of FIG. 9;
FIG. 11 is a rear view thereof;
FIG. 12 is a front view thereof;
FIG. 13 is a top view thereof;
FIG. 14 is a bottom view thereof; and,
FIG. 15 is an enlarged view of the callout region 15 of FIG. 8.
The broken line showing of the dental instrument is for environmental purposes only and forms no part of the claimed design.

1 Claim, 9 Drawing Sheets



(56)

References Cited

U.S. PATENT DOCUMENTS

6,322,362	B1 *	11/2001	Holms	A61C 3/00 433/141
D458,682	S *	6/2002	Szymaitis	D24/152
D492,413	S *	6/2004	Willat	D24/152
D496,132	S *	9/2004	Desai	D28/65
D522,141	S *	5/2006	Chung	D24/152
D743,550	S *	11/2015	Lim	D24/152
D745,154	S *	12/2015	Pace	D24/146
D750,247	S *	2/2016	Cho	D24/152
D785,796	S *	5/2017	Efinger	D24/147
D803,400	S *	11/2017	Latif	D24/154
D809,138	S *	1/2018	Khan	D24/133
D810,292	S *	2/2018	Chou	D24/152
2008/0014553	A1 *	1/2008	Garrison	A61C 3/08 433/164
2010/0184000	A1 *	7/2010	Beach	A61C 3/00 433/143
2011/0117519	A1 *	5/2011	Yamada	A61C 3/00 433/141
2018/0085192	A1 *	3/2018	Lasner	A61C 3/14
2019/0104983	A1 *	4/2019	Hussein	A61B 5/4547

* cited by examiner

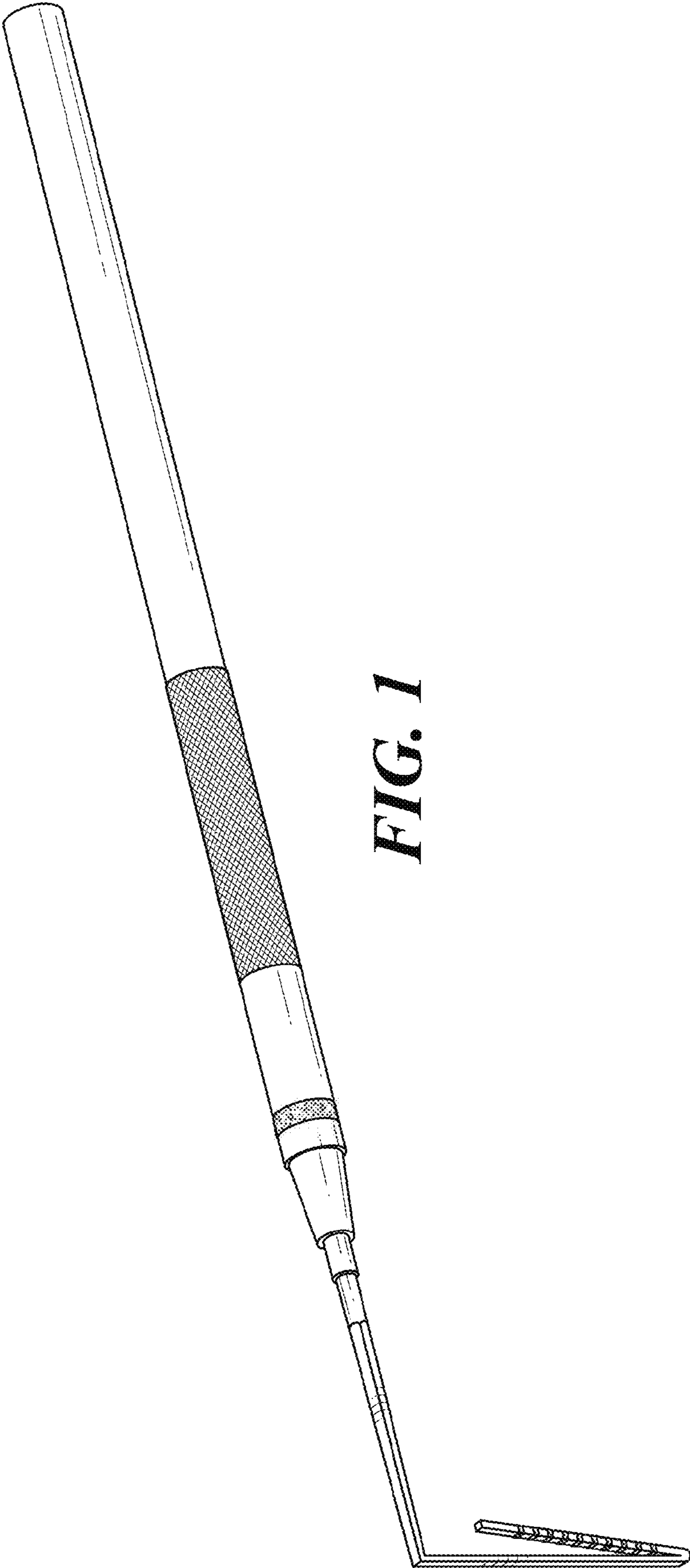


FIG. 1

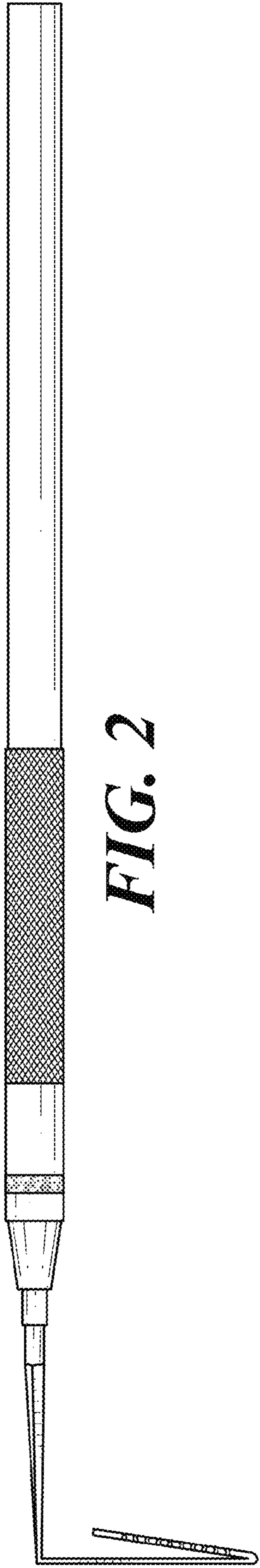


FIG. 2

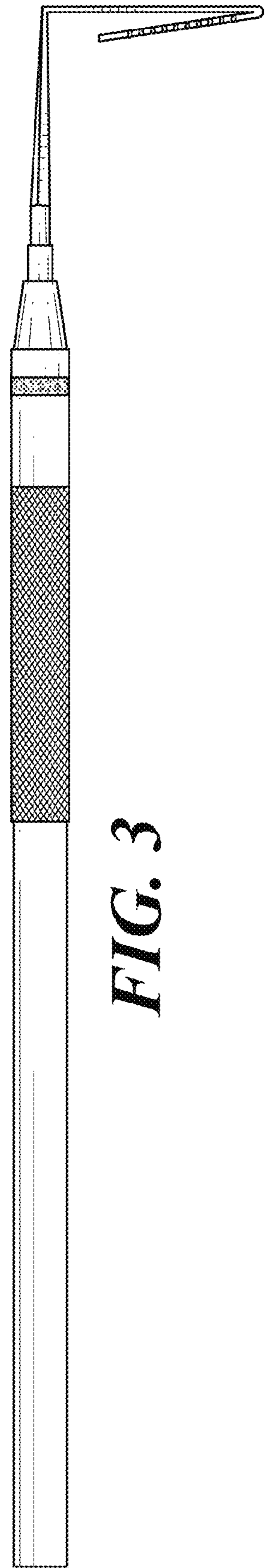


FIG. 3

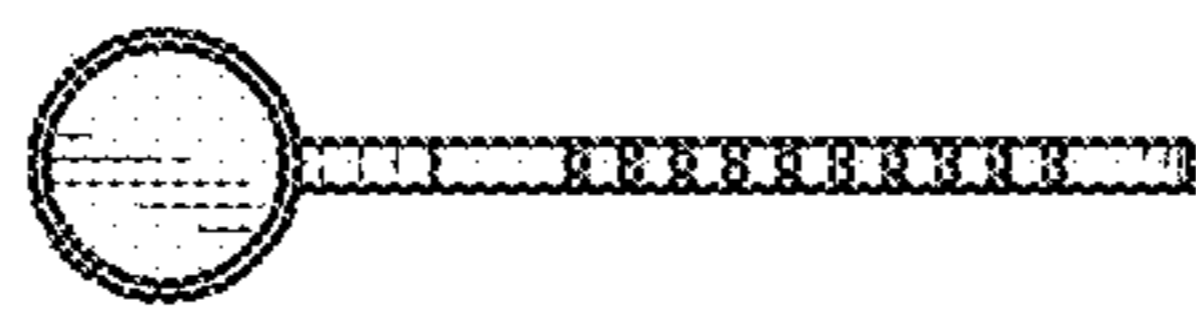


FIG. 4

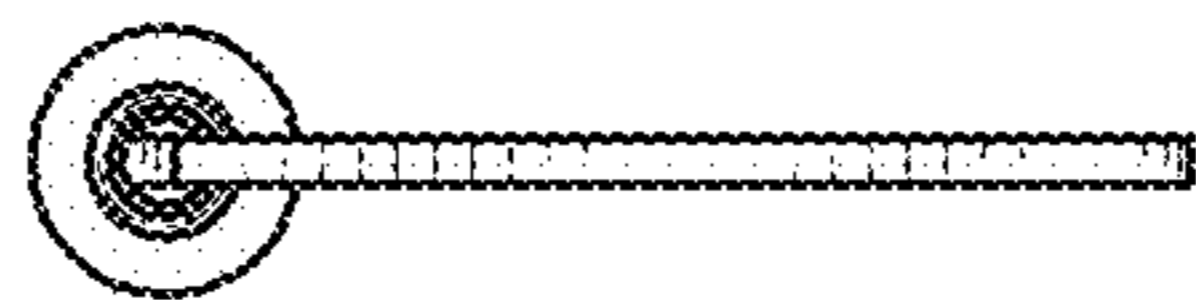


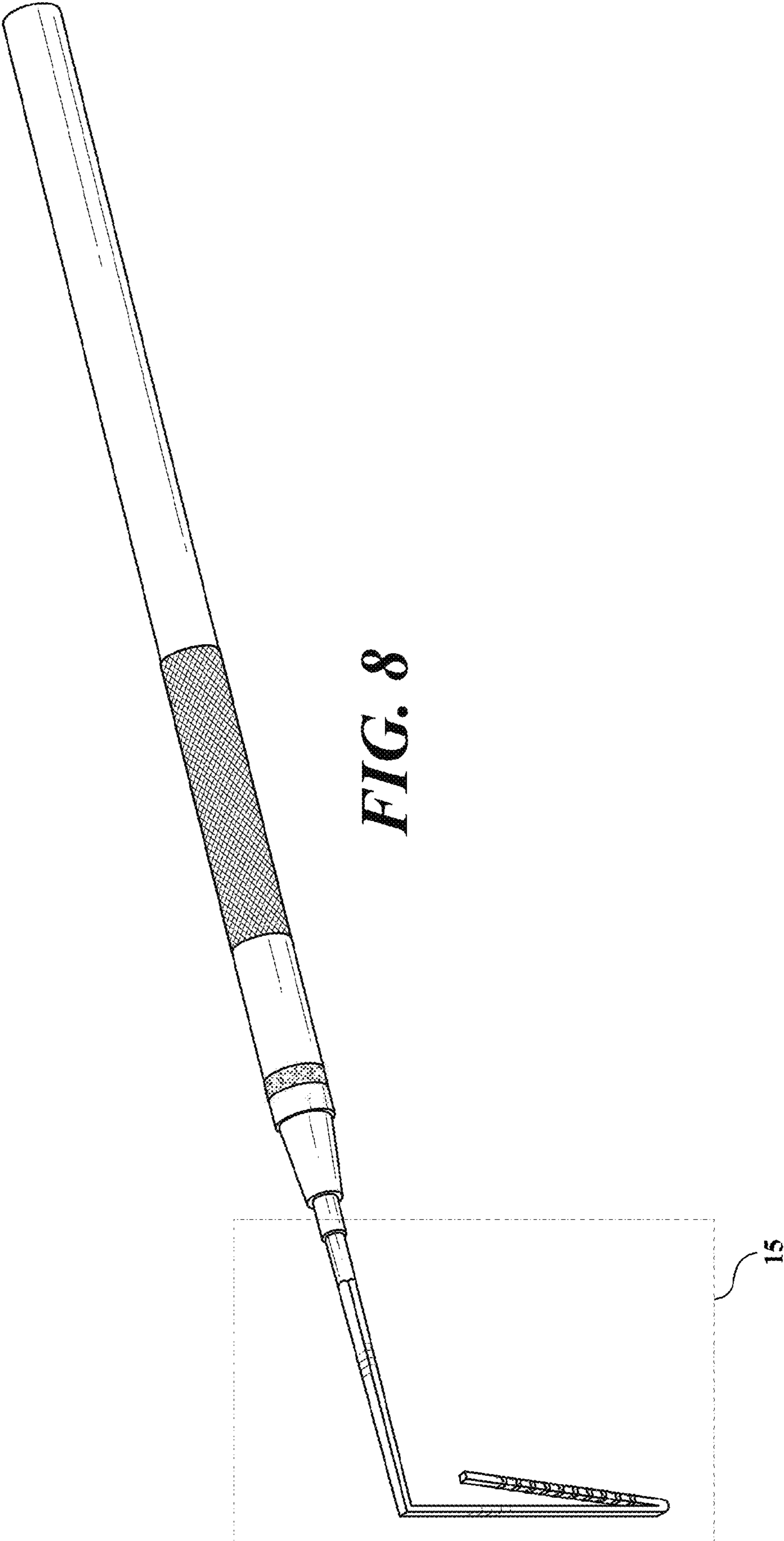
FIG. 5



FIG. 6



FIG. 7



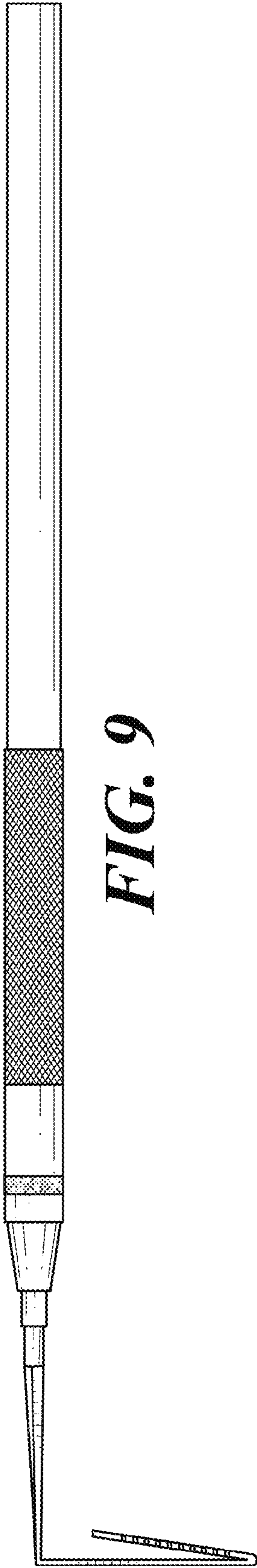


FIG. 9

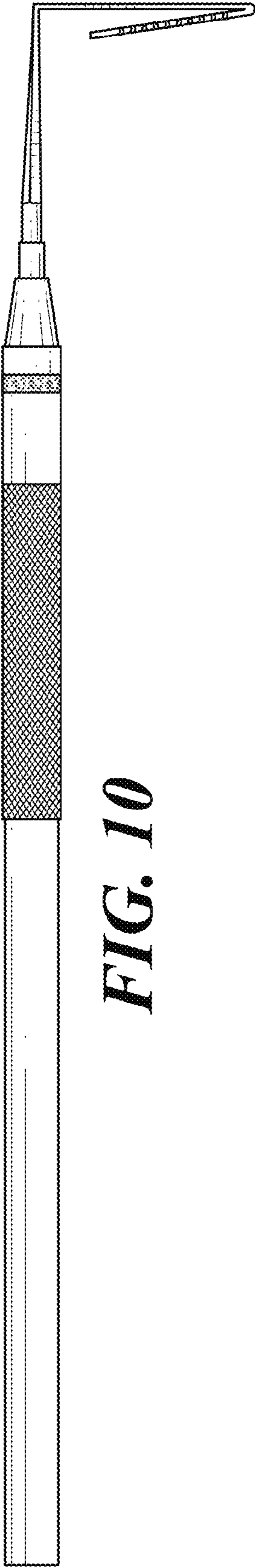


FIG. 10



FIG. 11

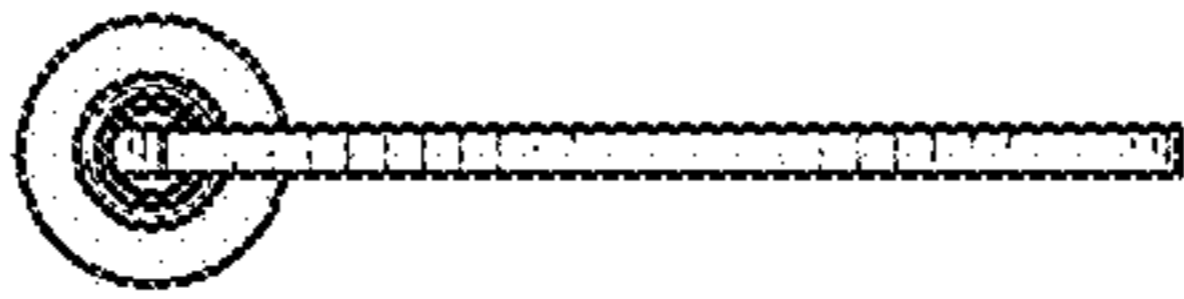


FIG. 12



FIG. 13



FIG. 14

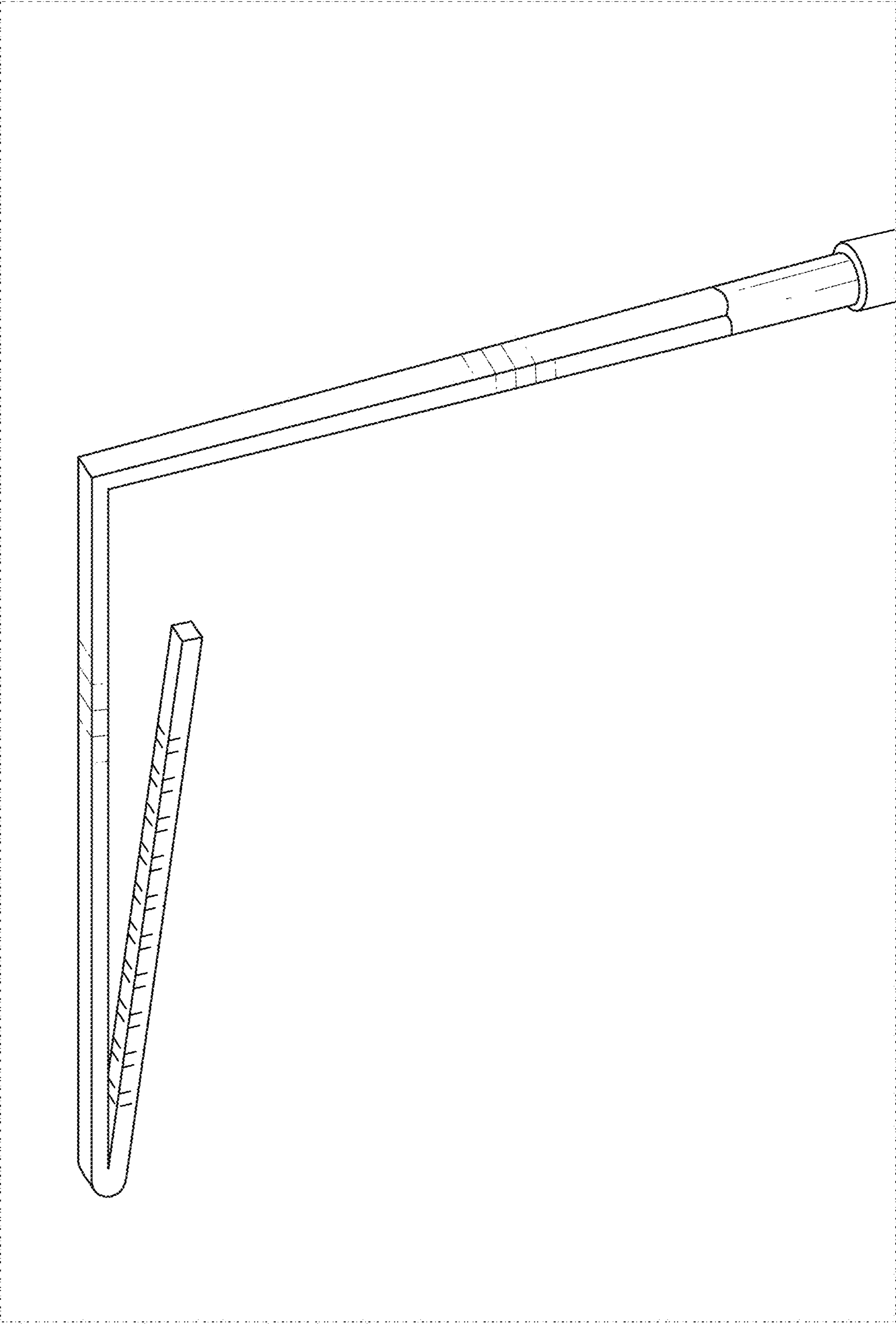


FIG. 15