



US00D884891S

(12) **United States Design Patent**  
**Solingen et al.**

(10) **Patent No.:** **US D884,891 S**

(45) **Date of Patent:** **\*\* \*May 19, 2020**

(54) **CLAMP FOR LAPAROSCOPIC SLEEVE GASTRECTOMY**

(71) Applicant: **KARL STORZ SE & Co KG,**  
Tuttlingen (DE)

(72) Inventors: **Simon Solingen,** Los Angeles, CA  
(US); **Namir Katkhouda,** Pasadena,  
CA (US)

(73) Assignee: **KARL STORZ SE & Co. KG,**  
Tuttlingen (DE)

(\*) Notice: This patent is subject to a terminal disclaimer.

(\*\*) Term: **15 Years**

(21) Appl. No.: **29/642,987**

(22) Filed: **Apr. 3, 2018**

(51) **LOC (12) Cl.** ..... **24-02**

(52) **U.S. Cl.**  
USPC ..... **D24/143**

(58) **Field of Classification Search**  
USPC ..... D24/143, 147-148, 133; D8/72;  
606/206, 51-52, 157, 324, 205  
CPC ..... A61B 17/122; A61B 17/08; A61B 17/29;  
A61B 17/1285  
See application file for complete search history.

(56) **References Cited**

**U.S. PATENT DOCUMENTS**

D267,509 S \* 1/1983 Wannag ..... 294/99.2  
D351,653 S \* 10/1994 Koros ..... D24/143  
5,776,147 A \* 7/1998 Dolendo ..... A61B 17/122  
606/142

6,616,683 B1 \* 9/2003 Toth ..... A61B 17/29  
606/205  
6,723,109 B2 \* 4/2004 Solingen ..... A61B 17/122  
606/142  
8,361,108 B2 \* 1/2013 Gold ..... A61B 17/122  
606/206  
D713,959 S \* 9/2014 Wiedenbein ..... D24/143  
9,011,434 B2 \* 4/2015 Kappel ..... A61B 17/29  
606/46  
9,023,079 B2 \* 5/2015 Boulnois ..... A61B 17/29  
606/205  
D762,302 S \* 7/2016 Dunn ..... D24/133  
D836,197 S \* 12/2018 Cormio ..... D24/143

\* cited by examiner

*Primary Examiner* — Wan Laymon

(74) *Attorney, Agent, or Firm* — Michael Joseph Loi;  
David N. Villalpando

(57) **CLAIM**

The ornamental design for a clamp for laparoscopic sleeve gastrectomy, as shown and described.

**DESCRIPTION**

FIG. 1 is a front perspective view of a clamp for laparoscopic sleeve gastrectomy in accordance with the new design;

FIG. 2 is an enlarged front view thereof;

FIG. 3 is an enlarged rear view thereof;

FIG. 4 is a left side view thereof;

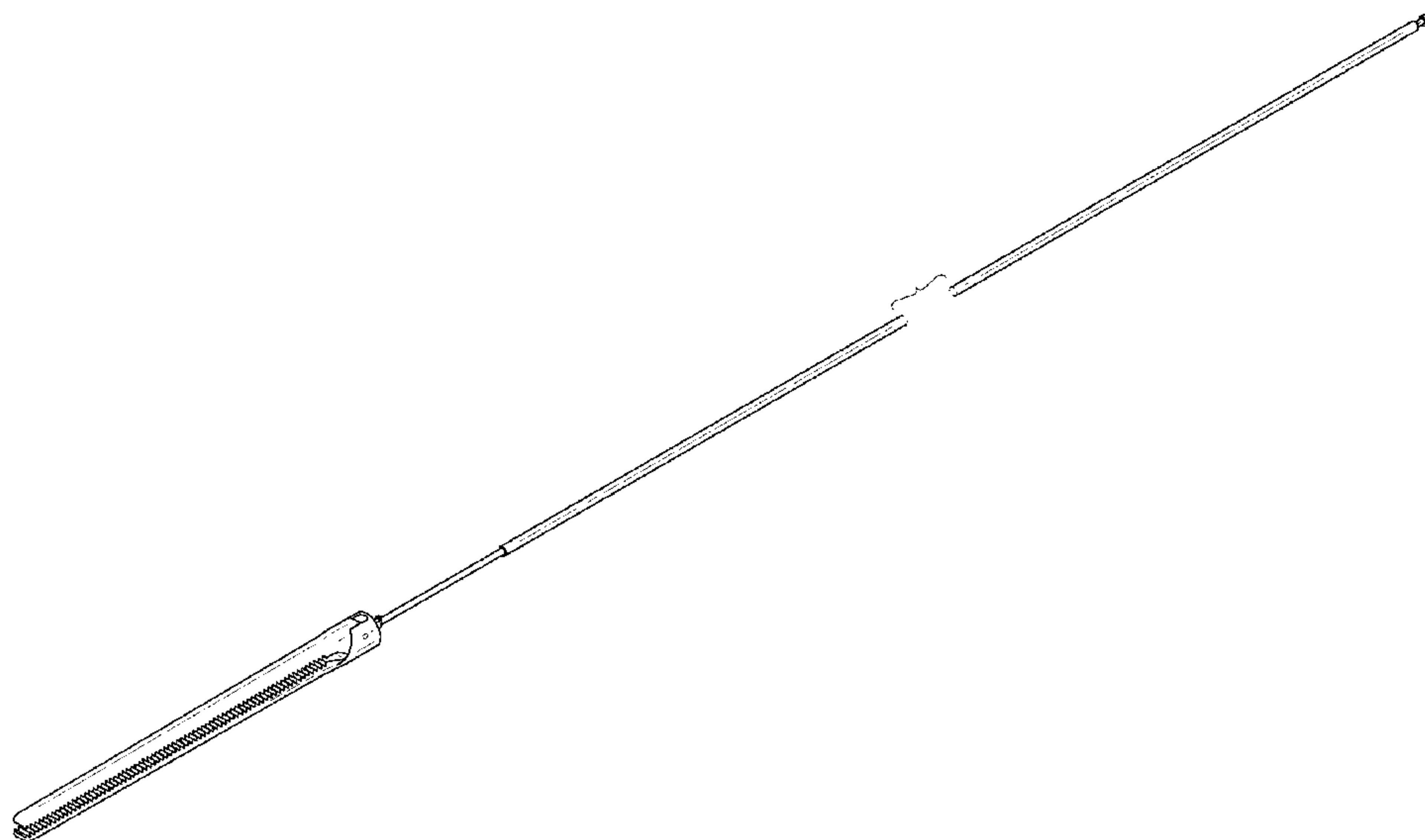
FIG. 5 is a right side view thereof;

FIG. 6 is a top view thereof; and,

FIG. 7 is a bottom view thereof.

The claim for laparoscopic sleeve gastrectomy is shown with a symbolic break in its length. The appearance of any portion of the article between the break lines forms no part of the claimed design.

**1 Claim, 6 Drawing Sheets**



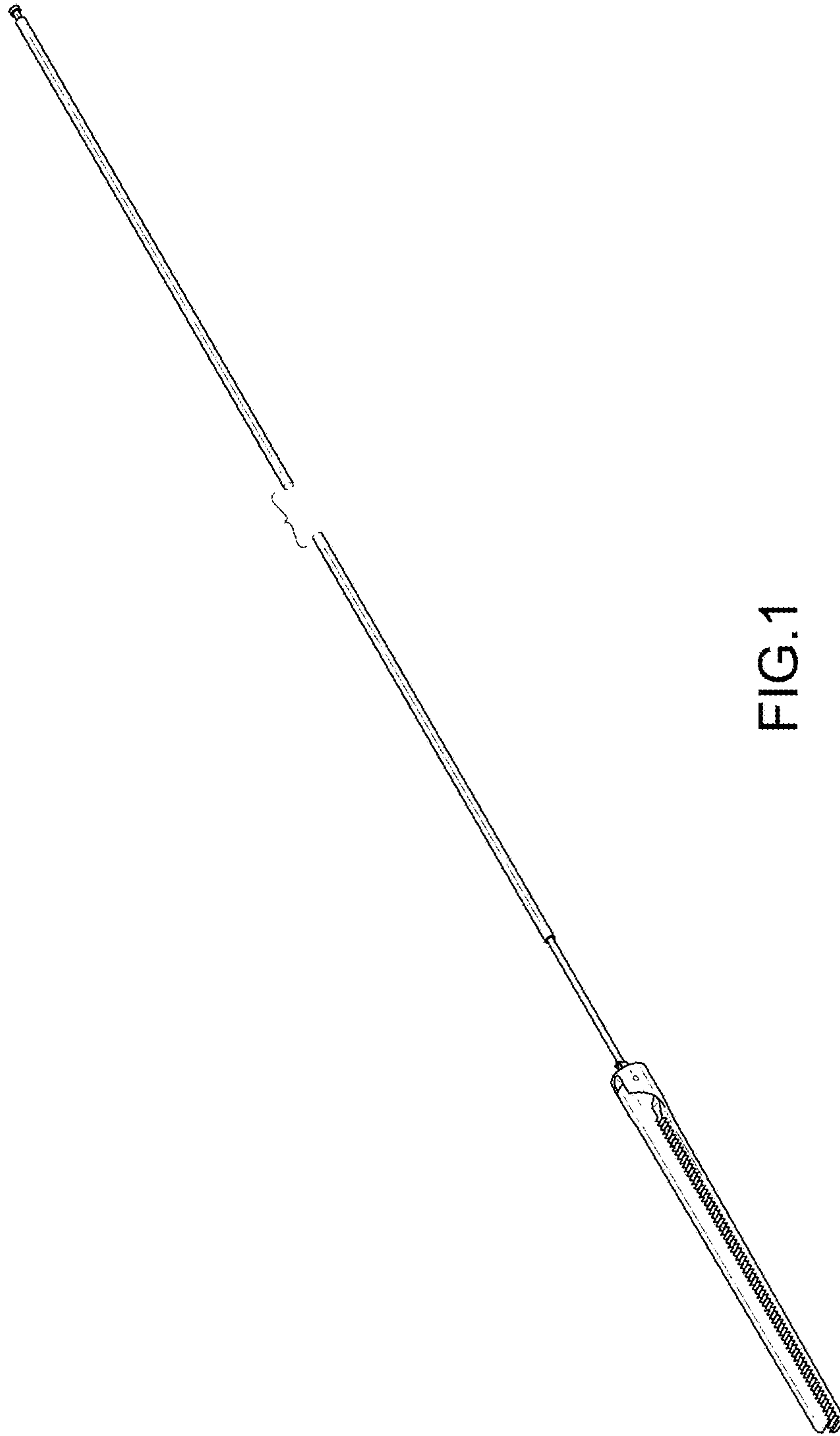


FIG. 1

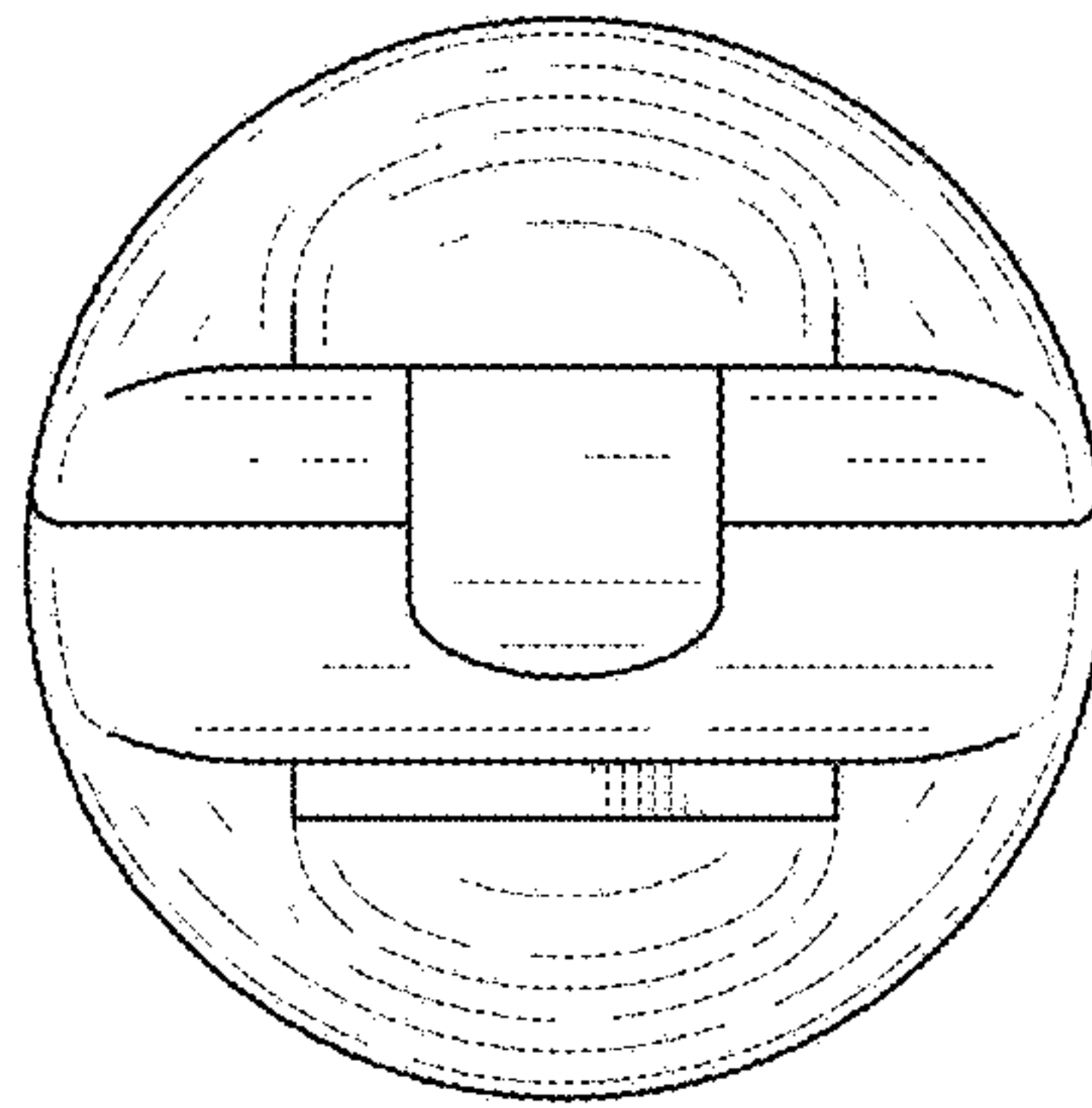


FIG.2

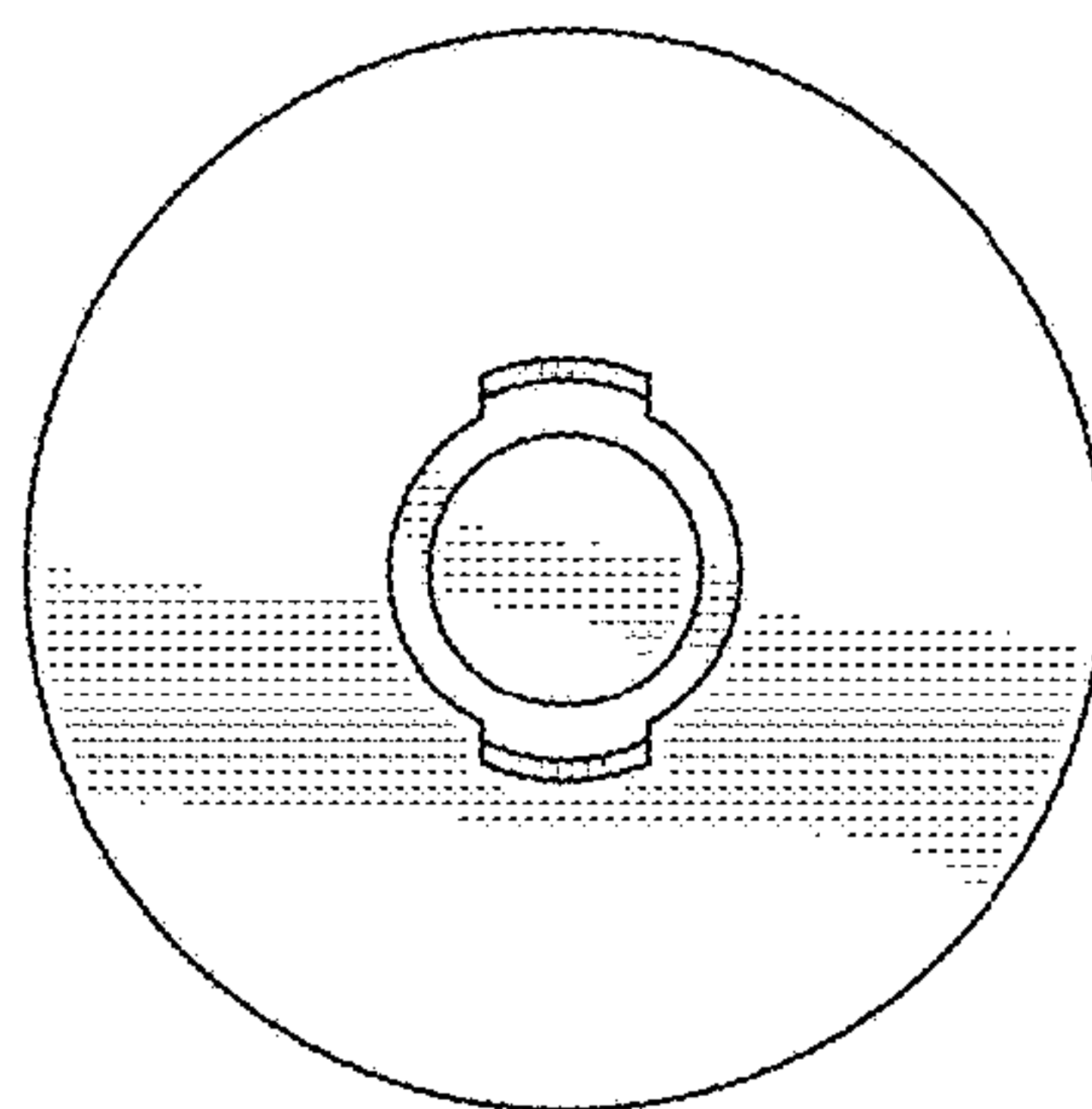


FIG.3

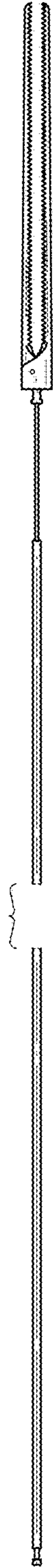


FIG.4



FIG.5

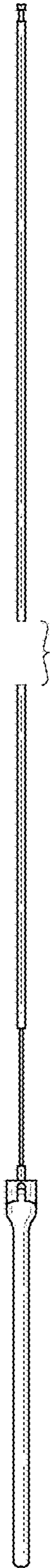


FIG.6

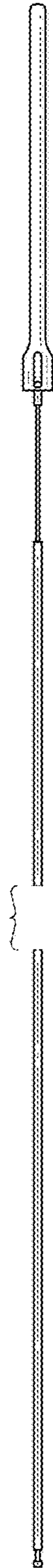


FIG.7