



US00D884888S

(12) **United States Design Patent**
Doubet et al.

(10) **Patent No.:** **US D884,888 S**

(45) **Date of Patent:** **** May 19, 2020**

(54) **SYRINGE ADAPTER AND NEEDLE HOLDER FOR MEDICATION**

Primary Examiner — Nathan M Johnston

(74) *Attorney, Agent, or Firm* — Marcia L. Doubet

(71) Applicants: **James T. Doubet**, Parker, CO (US);
Paul D. Doubet, Farmington, IL (US)

(57) **CLAIM**

We claim the ornamental design for syringe adapter and needle holder for medication, as shown and described.

(72) Inventors: **James T. Doubet**, Parker, CO (US);
Paul D. Doubet, Farmington, IL (US)

(**) Term: **15 Years**

DESCRIPTION

(21) Appl. No.: **29/715,259**

FIG. 1 is a perspective view of a syringe adapter and a needle holder, showing an embodiment of our new design (as connected), where the syringe adapter has a hexagonal element and the needle holder includes a hexagonal element and a cylindrical element;

(22) Filed: **Nov. 29, 2019**

Related U.S. Application Data

(63) Continuation of application No. 16/203,858, filed on Nov. 29, 2018, which is a continuation-in-part of (Continued)

FIG. 2 is a front view thereof, the back view being identical thereto;

(51) **LOC (12) Cl.** **24-02**

FIG. 3 is a top view thereof, the bottom view being identical thereto;

(52) **U.S. Cl.**
USPC **D24/129**

FIG. 4 is a left-side view thereof;

(58) **Field of Classification Search**

USPC D24/127–131, 112–114, 133, 186; 606/181, 185; 604/264, 523–528, 272, (Continued)

FIG. 5 is a right-side view thereof;

FIG. 6 is a cross-sectional view thereof, along an imaginary line depicted using dashes in FIG. 3;

(56) **References Cited**

U.S. PATENT DOCUMENTS

2,752,919 A 7/1956 Gabriel
3,436,828 A 4/1969 Dragan
(Continued)

FIG. 7 is a perspective view of the embodiment of FIG. 1, where the two pieces are shown as separated from each other for ease of illustration;

FIG. 8 is a perspective view of the syringe adapter of FIG. 1 shown for ease of illustration;

FOREIGN PATENT DOCUMENTS

EP 1923086 B1 4/2012
WO 2012/023955 A1 2/2012
WO 2017/091643 A1 6/2017

FIG. 9 is a front view thereof, the back view being identical thereto;

FIG. 10 is a top view thereof, the bottom view being identical thereto;

FIG. 11 is a left-side view thereof;

FIG. 12 is a right-side view thereof;

FIG. 13 is a perspective view of the needle holder of FIG. 1 shown for ease of illustration;

OTHER PUBLICATIONS

PCT Application PCT/US2019/036774, International Search Report dated Sep. 16, 2019 (2 pages).

FIG. 14 is a front view thereof, the back view being identical thereto;

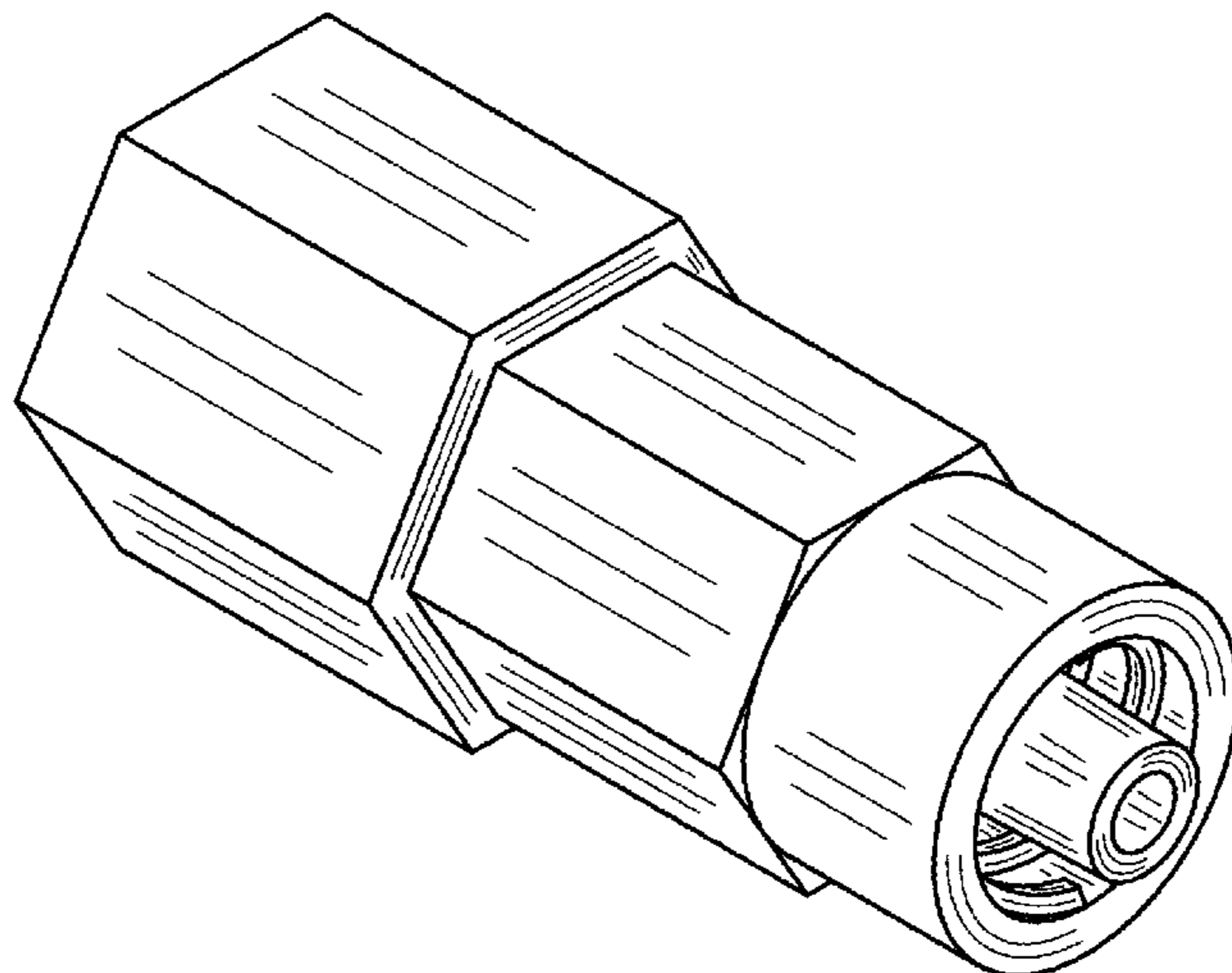
FIG. 15 is a top view thereof, the bottom view being identical thereto;

FIG. 16 is a left-side view thereof; and,

FIG. 17 is a right-side view thereof.

(Continued)

1 Claim, 7 Drawing Sheets



(56)

References Cited

OTHER PUBLICATIONS

In re James T. Doubet, et al., U.S. Appl. No. 29/710,061, filed Oct. 20, 2019, Office Action, dated Mar. 19, 2020, 8 pages.

* cited by examiner

FIG. 1

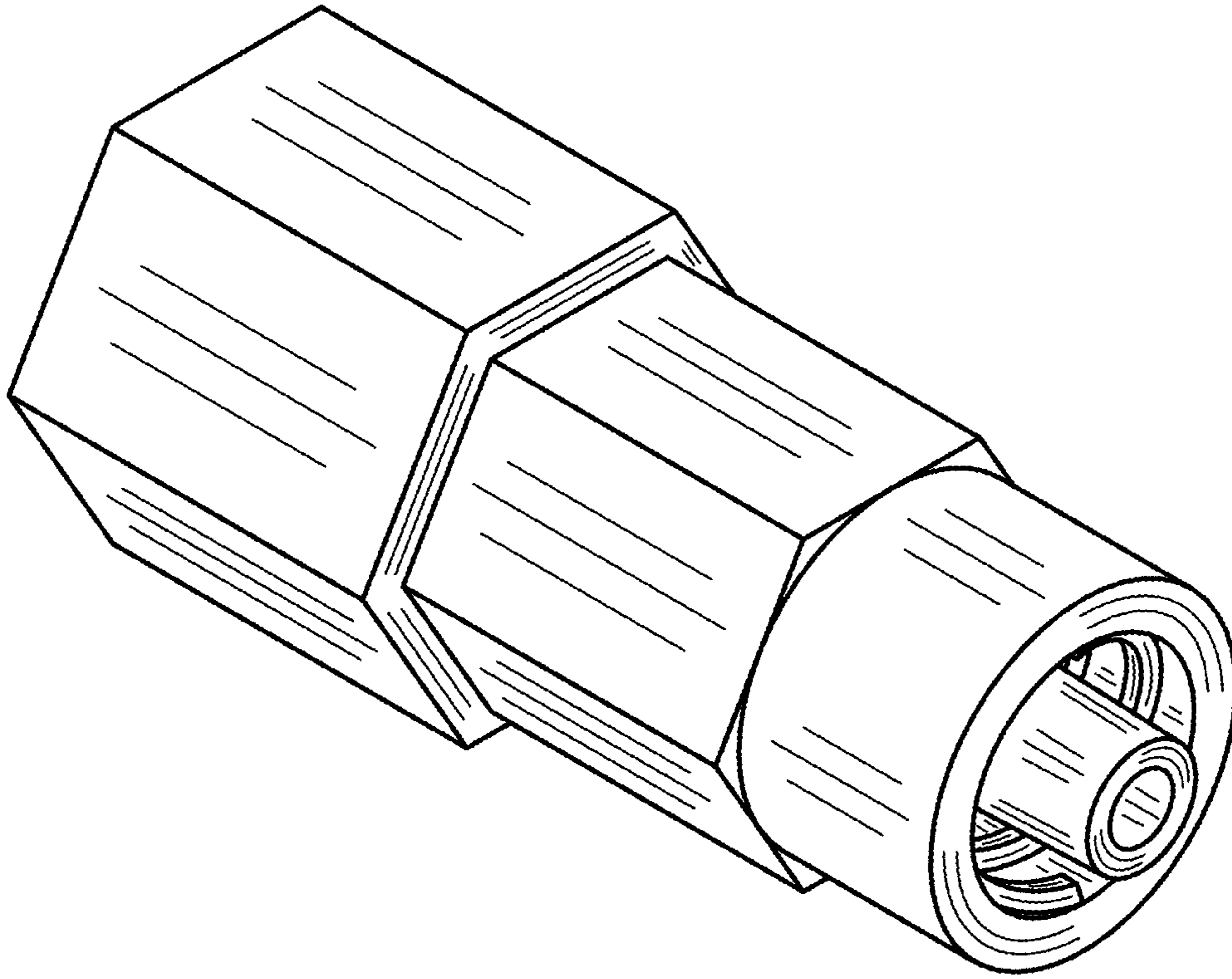


FIG. 2

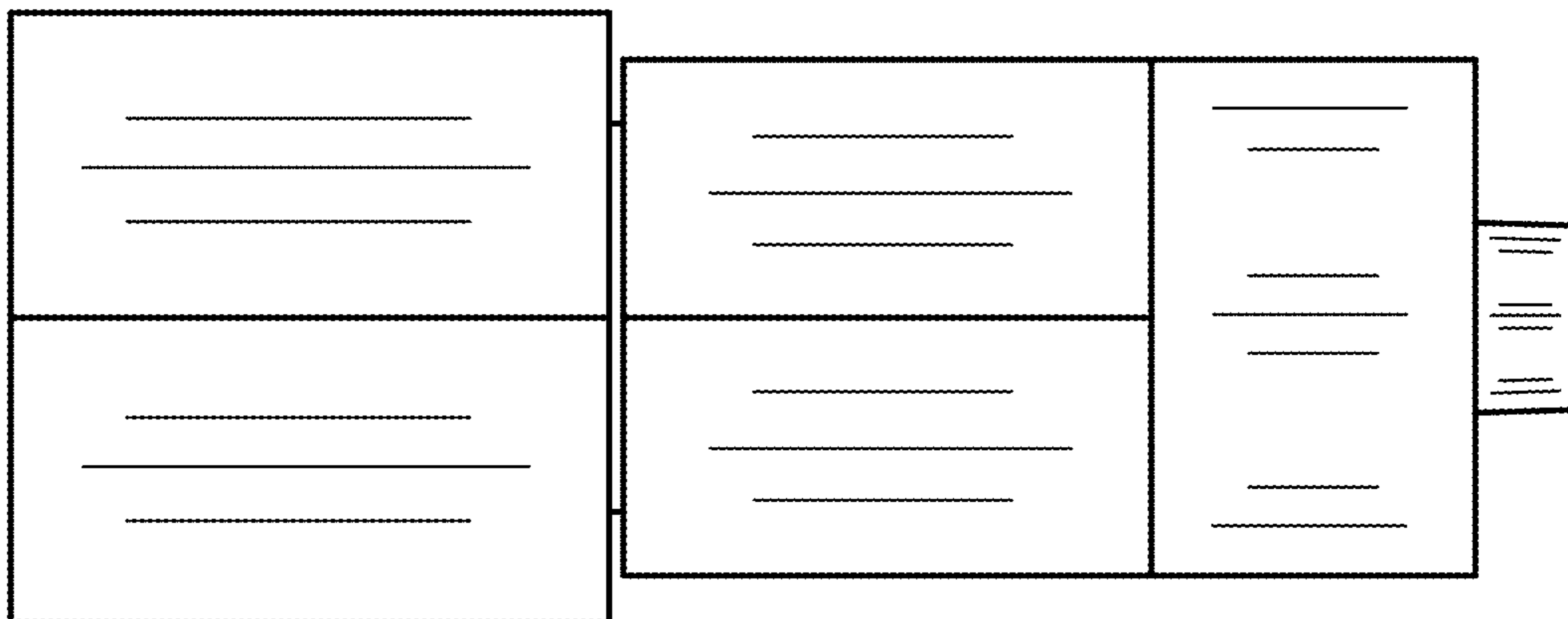


FIG. 3

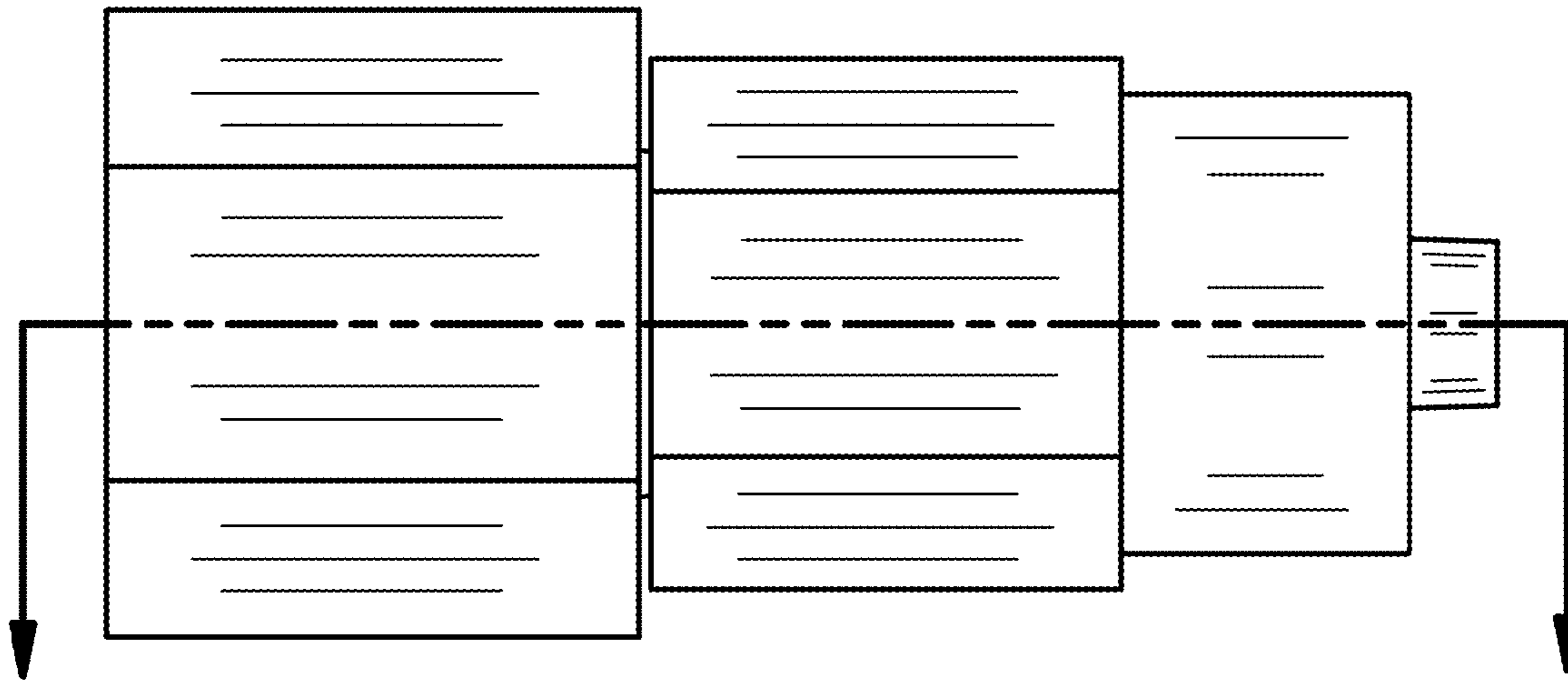


FIG. 6

FIG. 6

FIG. 4

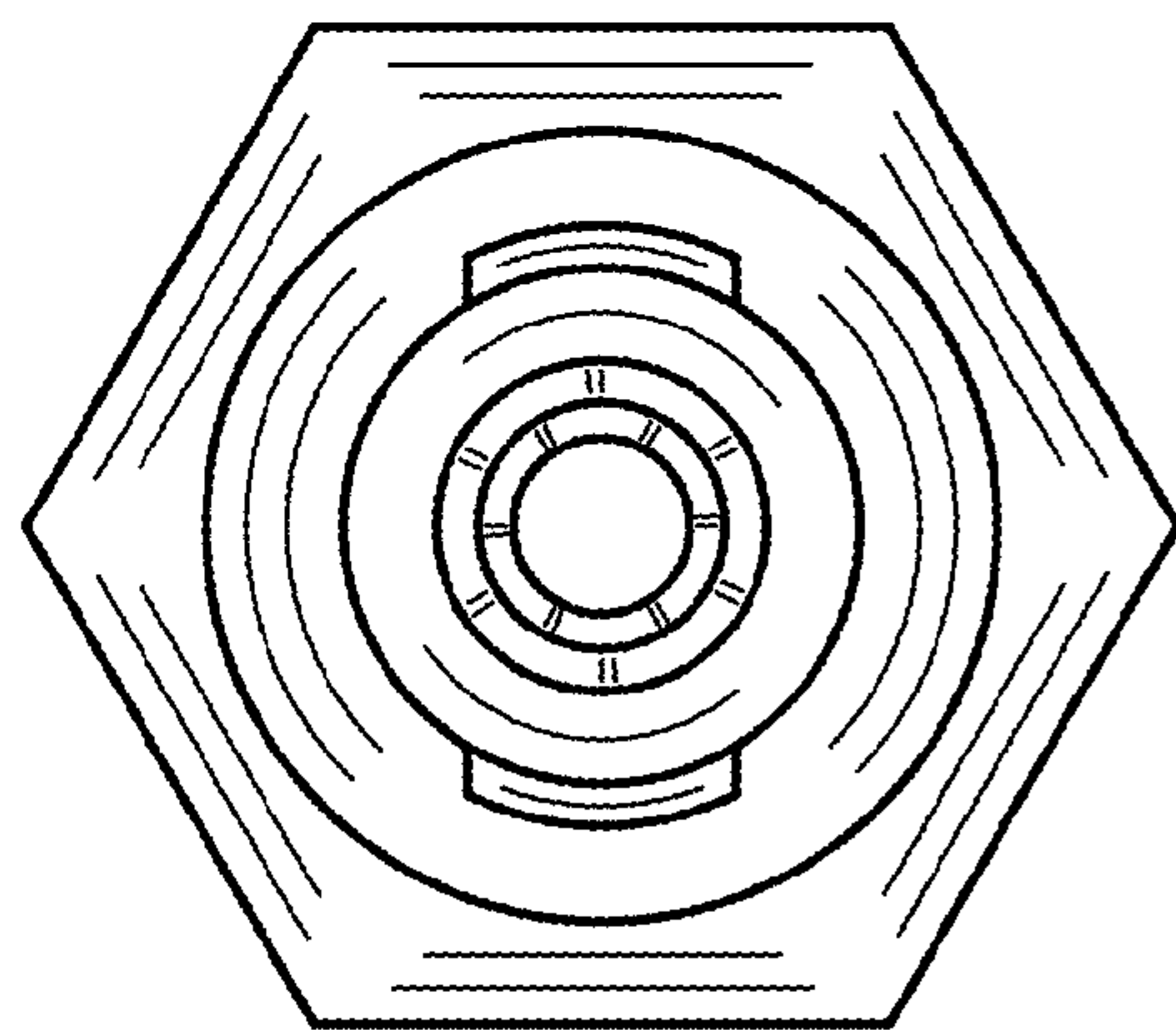


FIG. 5

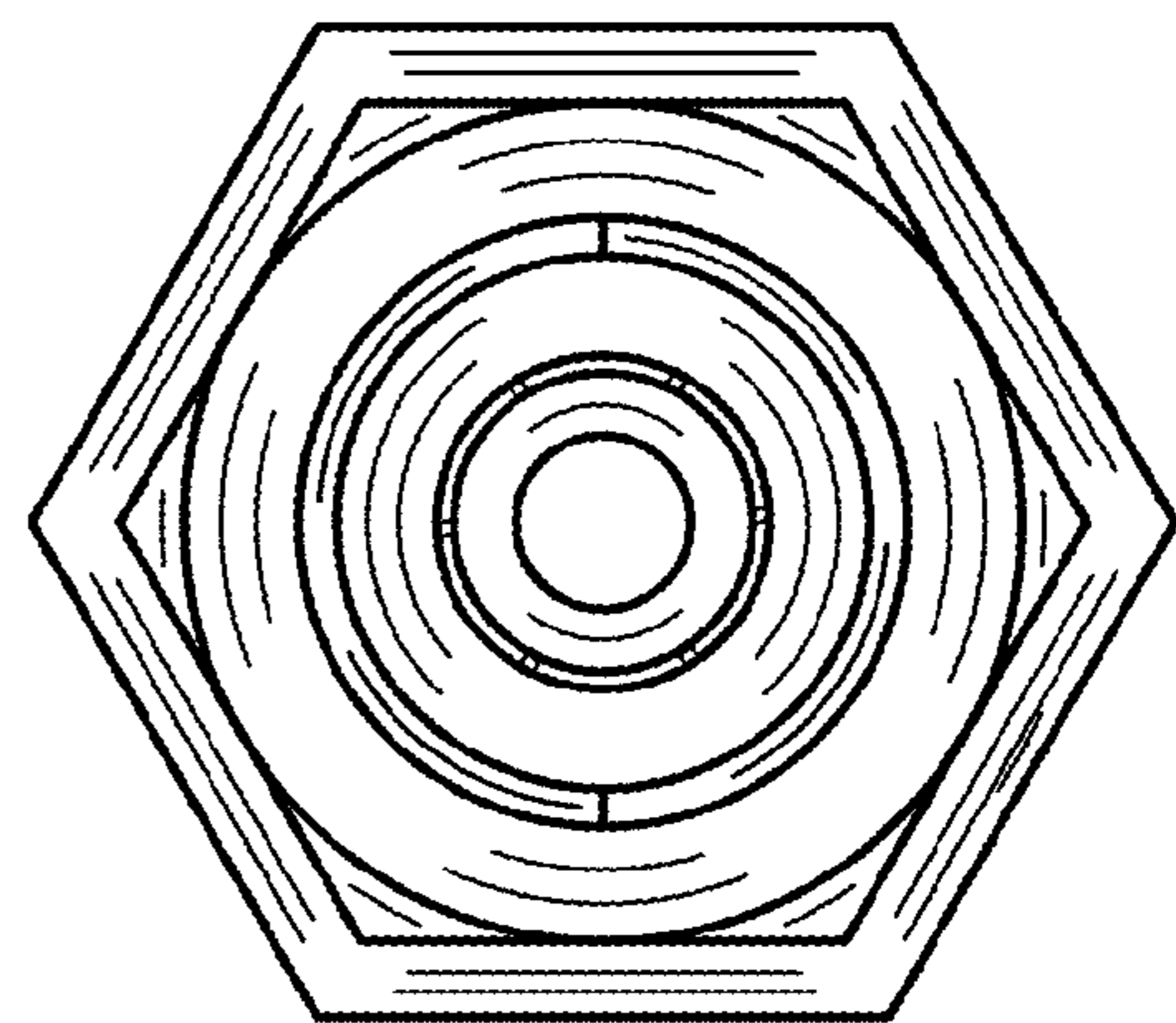


FIG. 6

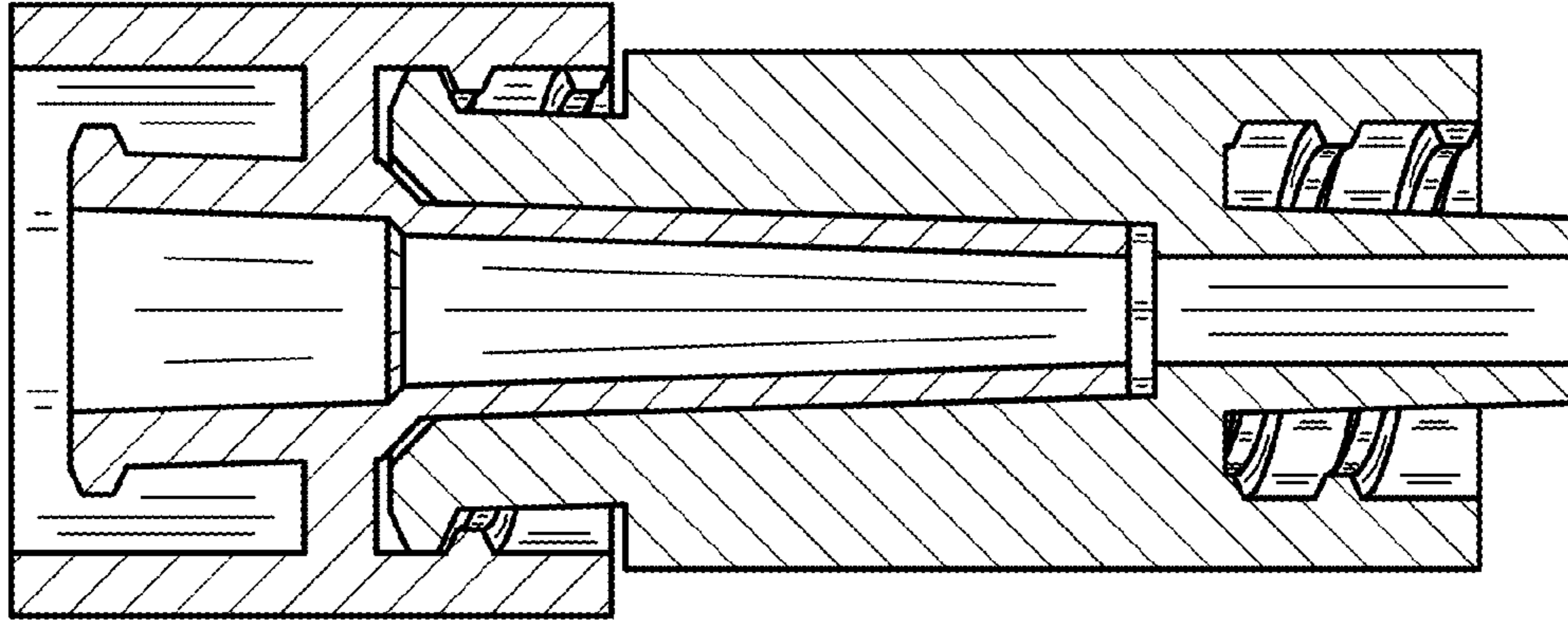


FIG. 7

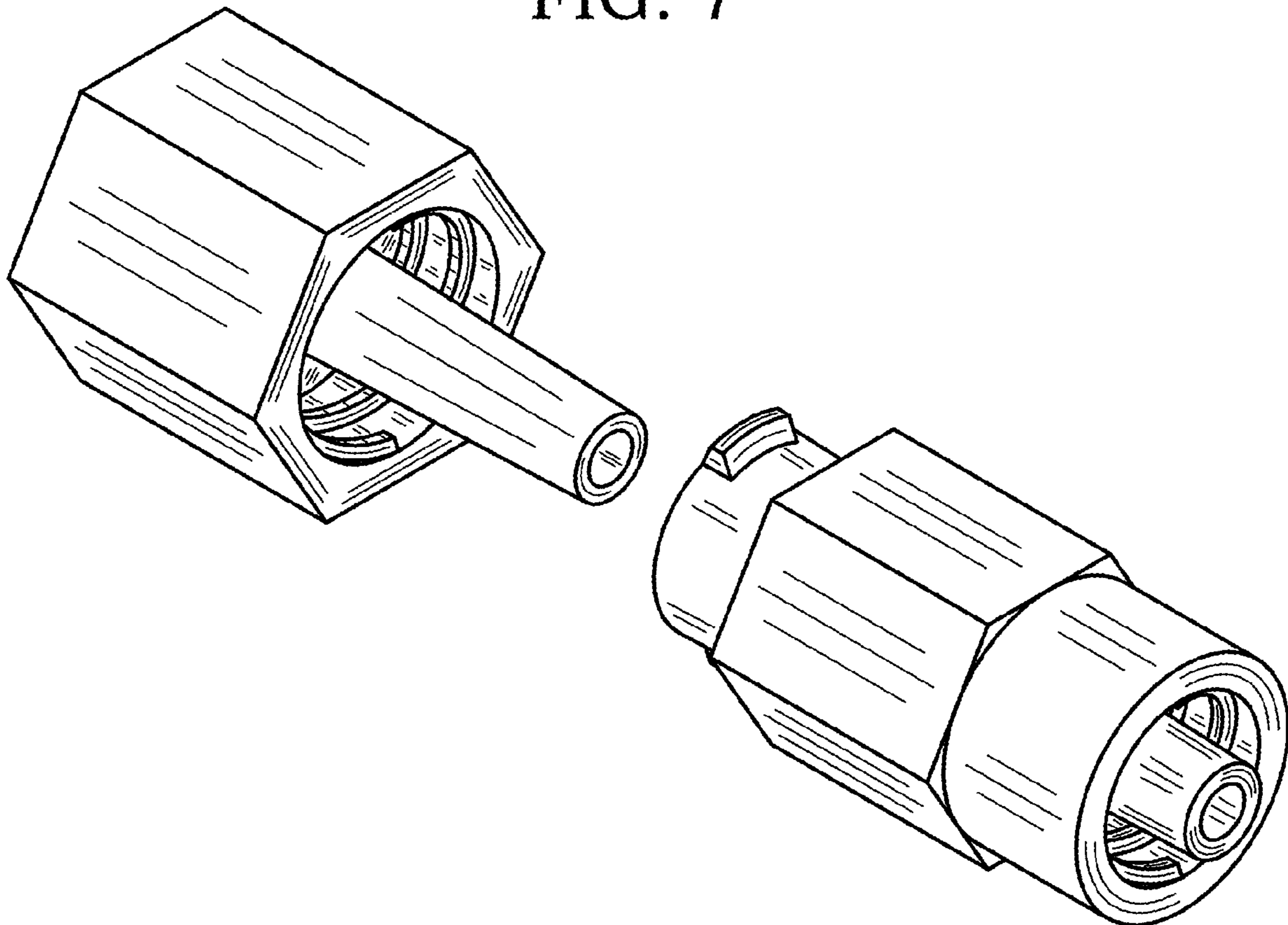


FIG. 8

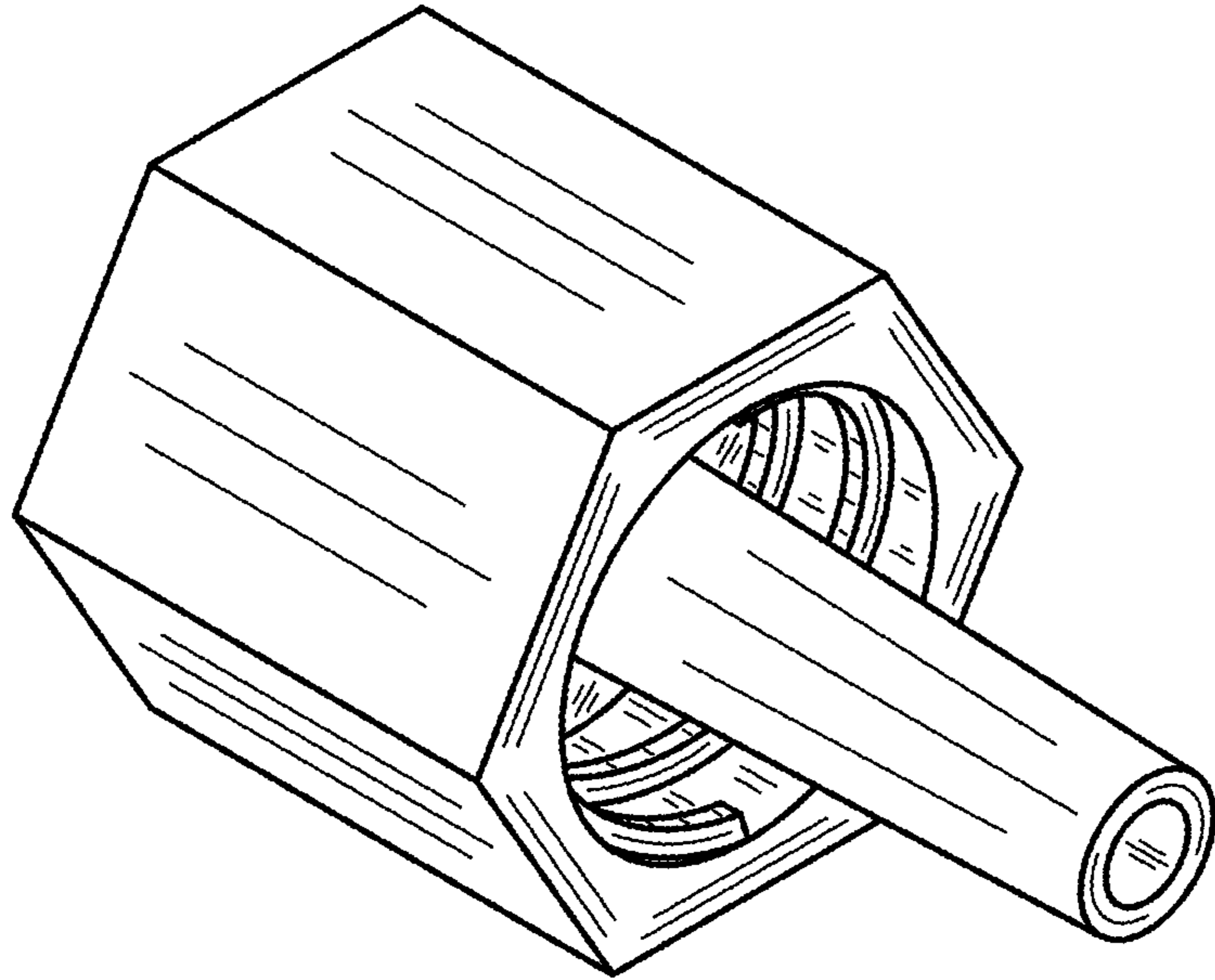


FIG. 9

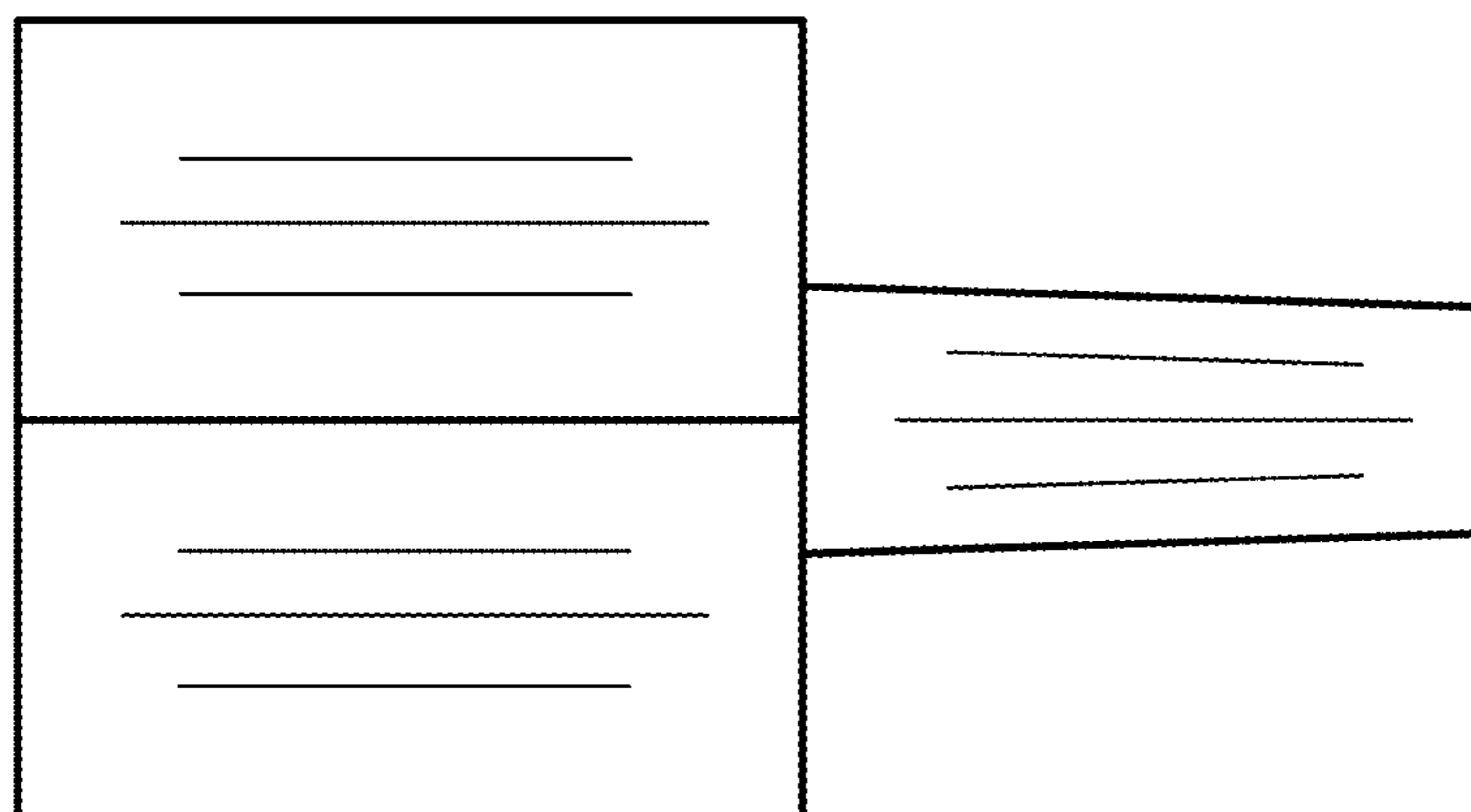


FIG. 10

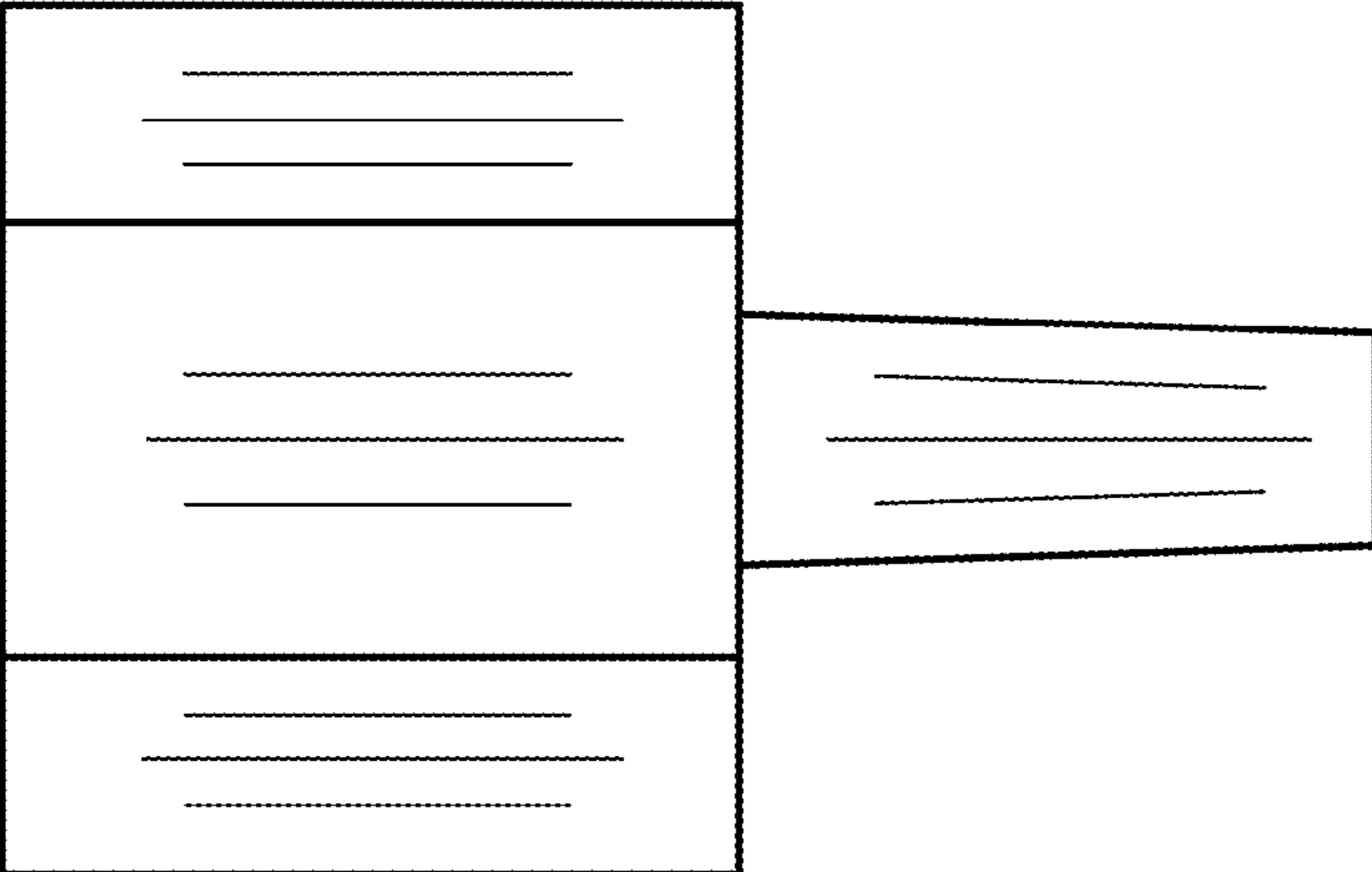


FIG. 11

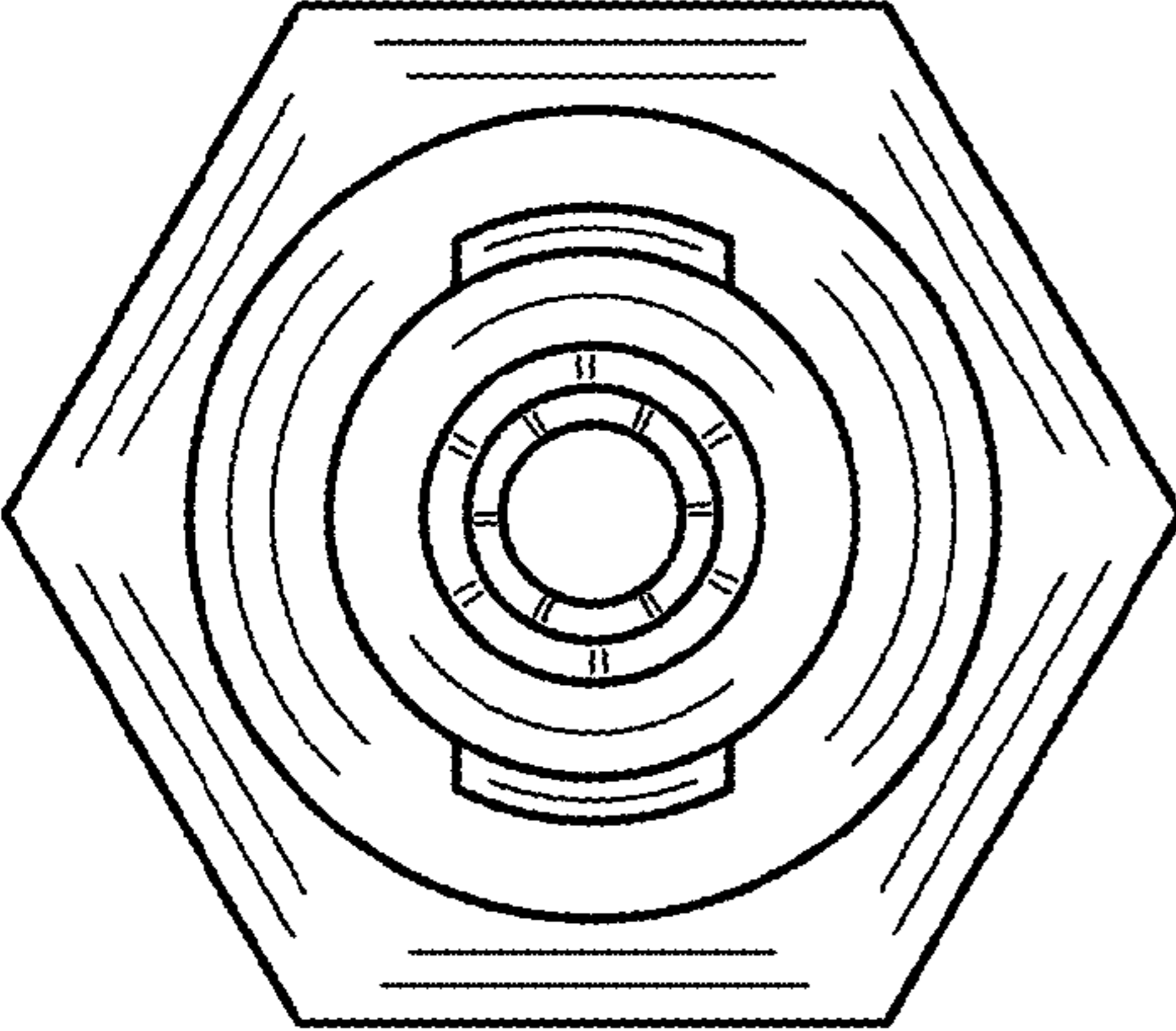


FIG. 12

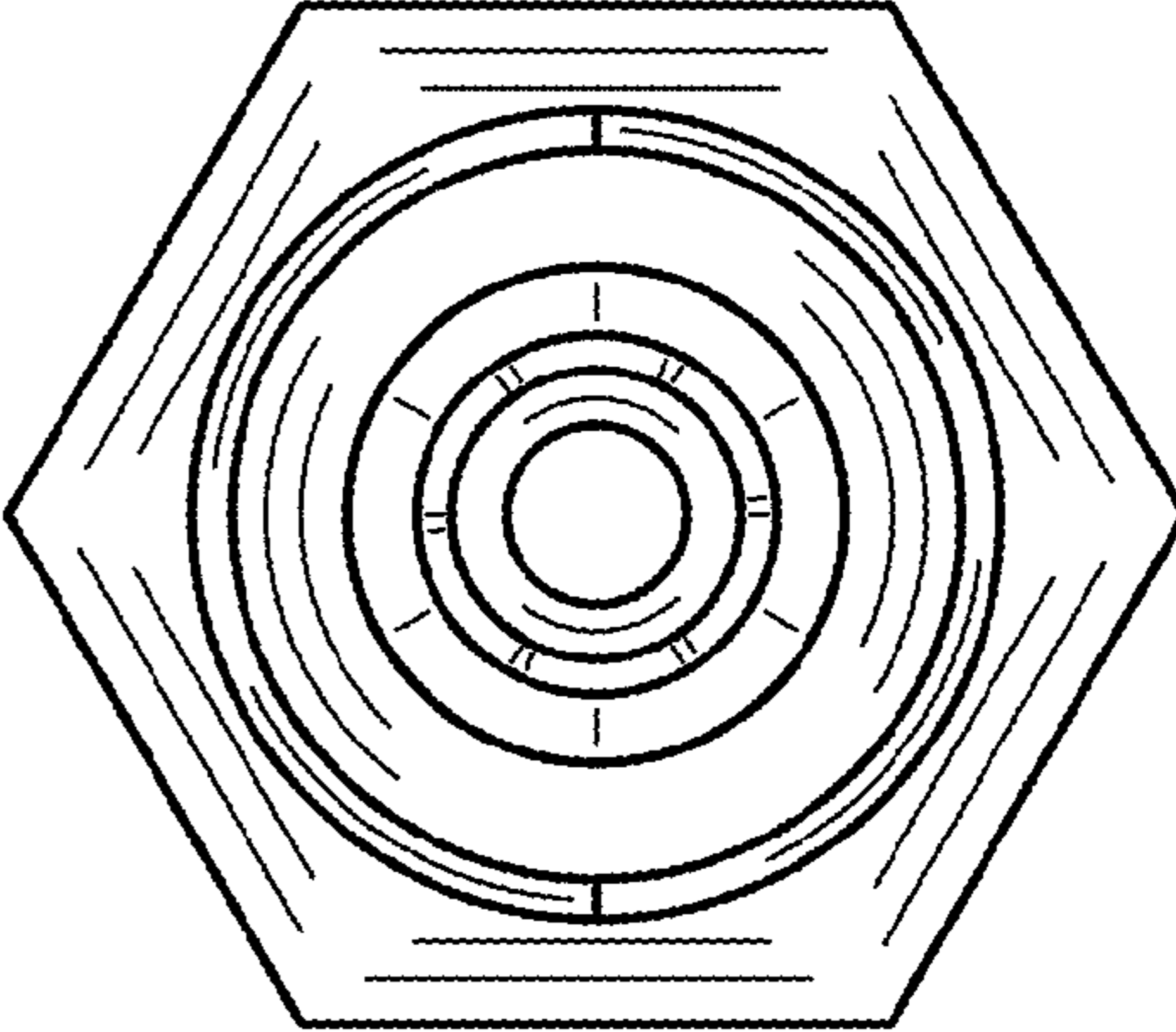


FIG. 13

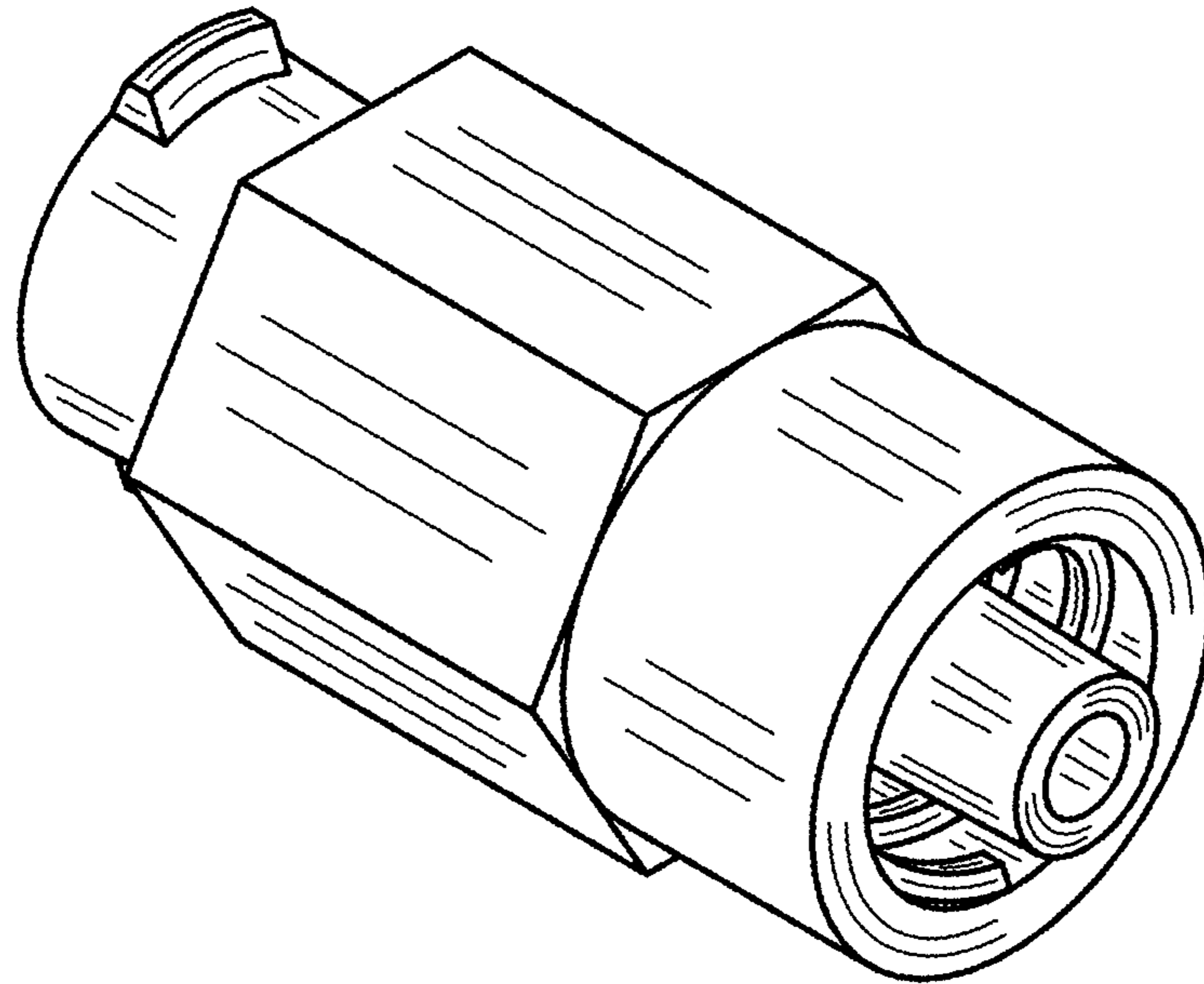


FIG. 14

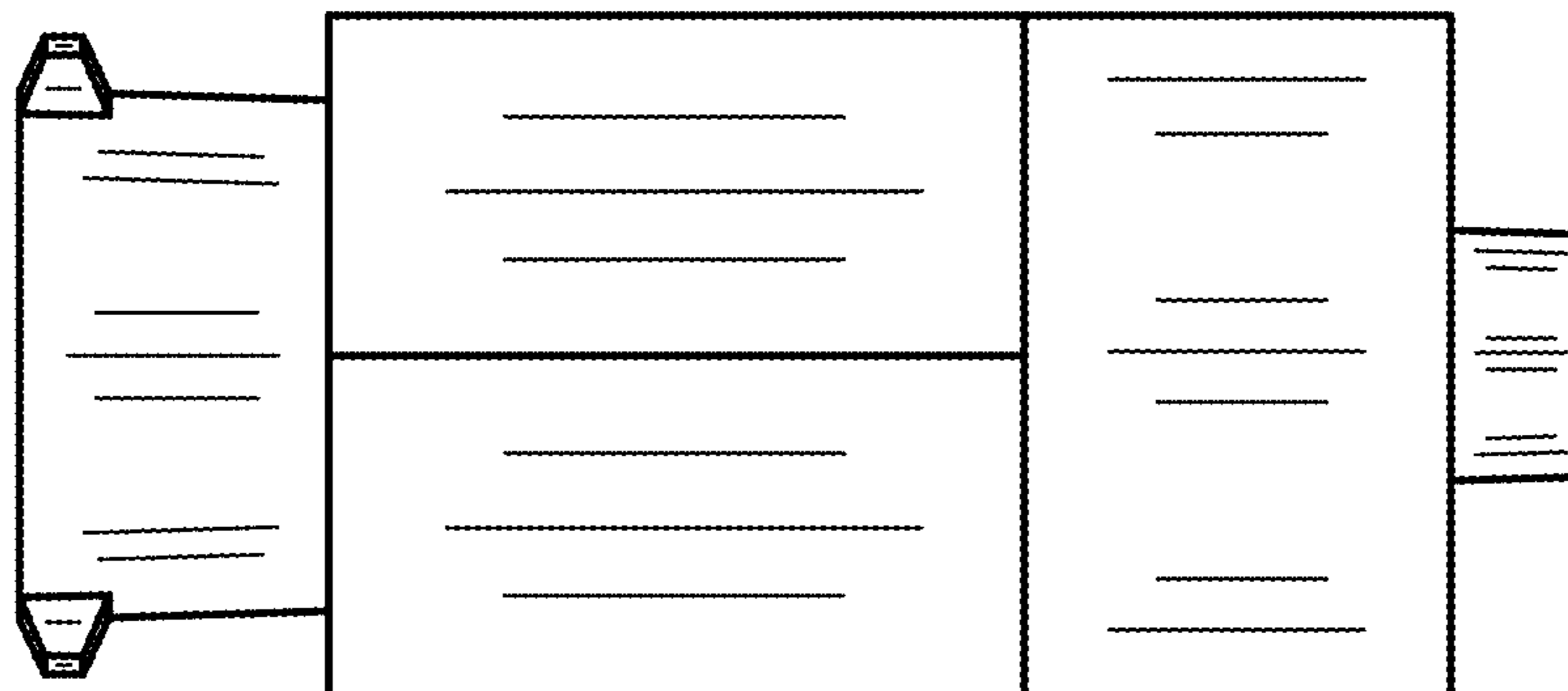


FIG. 15

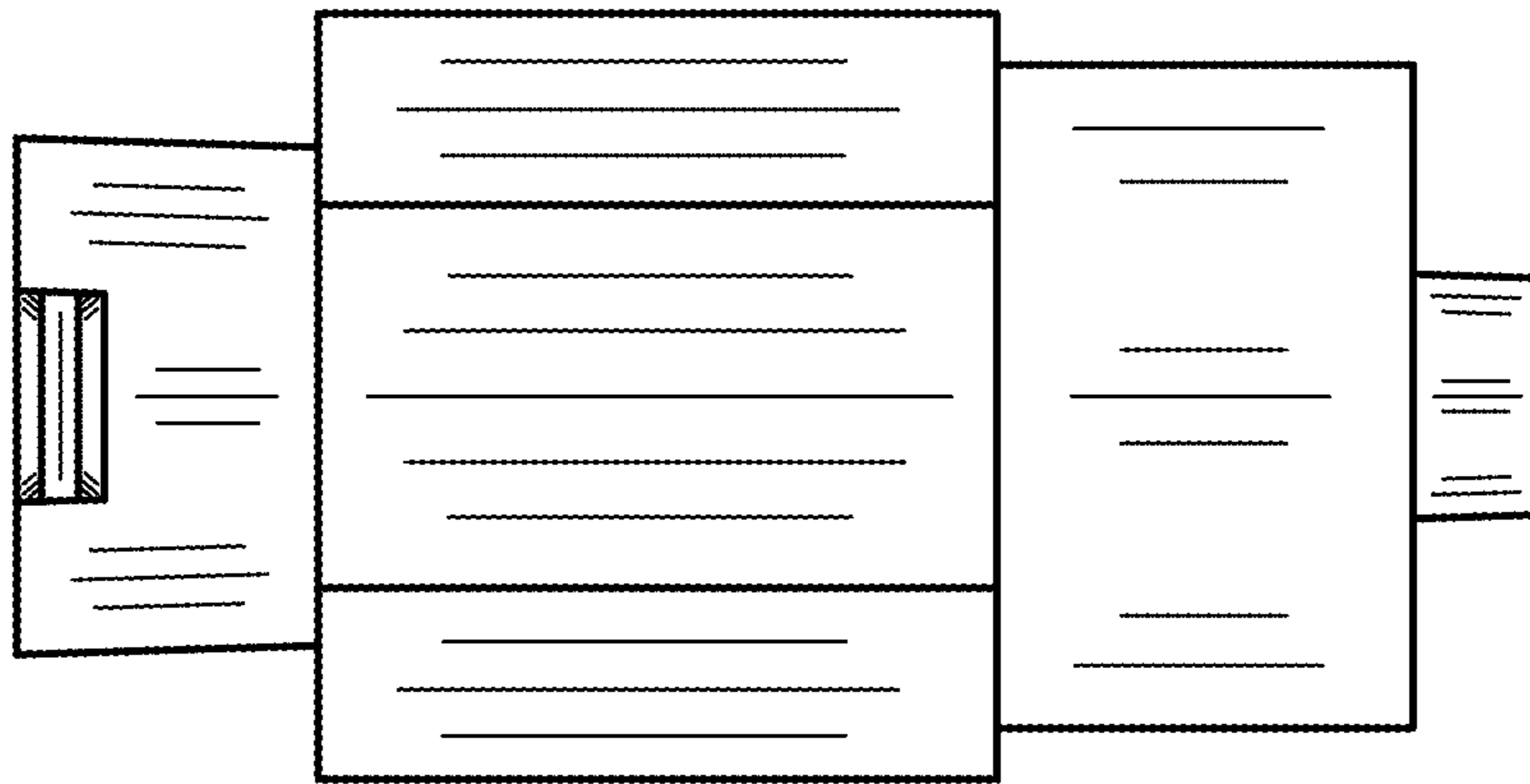


FIG. 16

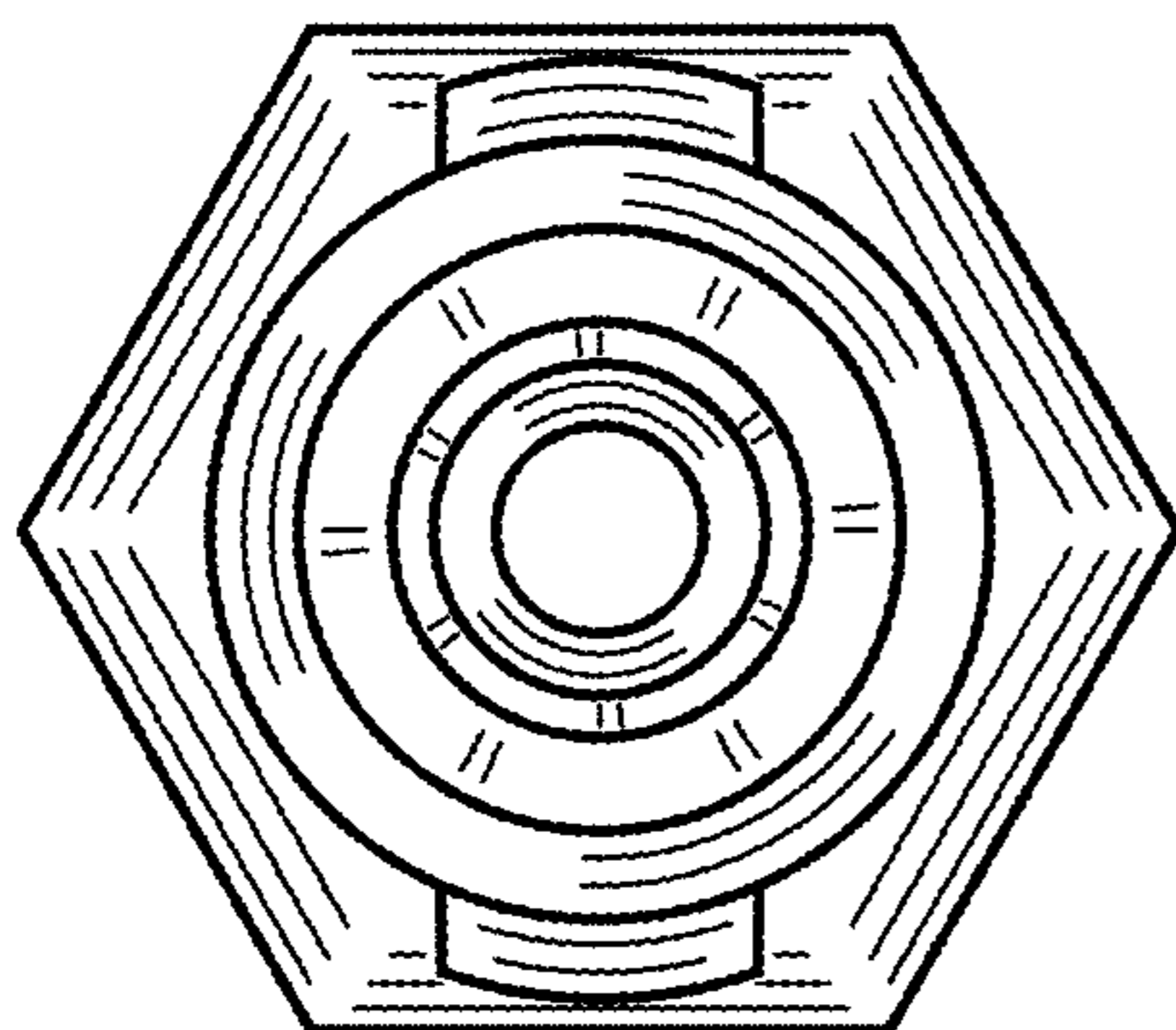


FIG. 17

