



US00D884887S

(12) **United States Design Patent** (10) **Patent No.:** **US D884,887 S**
Kangastupa (45) **Date of Patent:** **** May 19, 2020**

- (54) **HAND OPERATED MEDICAL INSTRUMENT** 5,112,313 A * 5/1992 Sallee A61M 25/0612
604/180
(71) Applicant: **VISIONISTI OY**, Seinäjoki (FI) 5,334,162 A * 8/1994 Harris A61J 1/062
604/232
(72) Inventor: **Timo Kangastupa**, Seinäjoki (FI) 5,554,097 A * 9/1996 Guy A61B 1/00144
206/438
(73) Assignee: **VISIONISTI OY**, Seinäjoki (FI) D387,665 S * 12/1997 Eichhorn D9/424
D416,086 S * 11/1999 Parris D24/112
D440,657 S * 4/2001 Wilkinson D24/130
D440,658 S * 4/2001 Wilkinson D24/130
D472,630 S * 4/2003 Douglas D24/108
D495,416 S * 8/2004 Dimeo A61J 1/2096
D24/108
(21) Appl. No.: **29/674,812** D496,101 S * 9/2004 Davison D24/112
(22) Filed: **Dec. 26, 2018** (Continued)

Related U.S. Application Data

- (62) Division of application No. 29/565,550, filed on May 22, 2016.

Primary Examiner — Nathan M Johnston

(74) *Attorney, Agent, or Firm* — Hoffmann & Baron, LLP

(30) **Foreign Application Priority Data**

- Nov. 24, 2015 (EM) 002874420-0001
Nov. 24, 2015 (EM) 002874420-0002
Nov. 24, 2015 (EM) 002874420-0003
Nov. 24, 2015 (EM) 002874420-0004

(57) **CLAIM**

The ornamental design for a hand operated medical instrument, as shown and described.

(51) **LOC (12) Cl.** **24-01**

(52) **U.S. Cl.**
USPC **D24/129**

DESCRIPTION

- (58) **Field of Classification Search**
USPC D24/112–114, 133, 186, 104, 127, 130;
606/181, 185; 604/264, 272, 115, 232,
604/187, 158, 164.08, 192, 263, 163, 181,
604/184, 198, 227
CPC A61F 9/0026; A61F 9/0008; A61F 9/007;
A61F 2250/0007; A61M 5/46
See application file for complete search history.

FIG. 1 is a top, front and left side perspective view of a hand operated medical instrument showing my new design;
FIG. 2 is a front view thereof;
FIG. 3 is a rear view thereof;
FIG. 4 is a left side view thereof;
FIG. 5 is a right side view thereof;
FIG. 6 is a top view thereof; and,
FIG. 7 is a bottom view thereof.

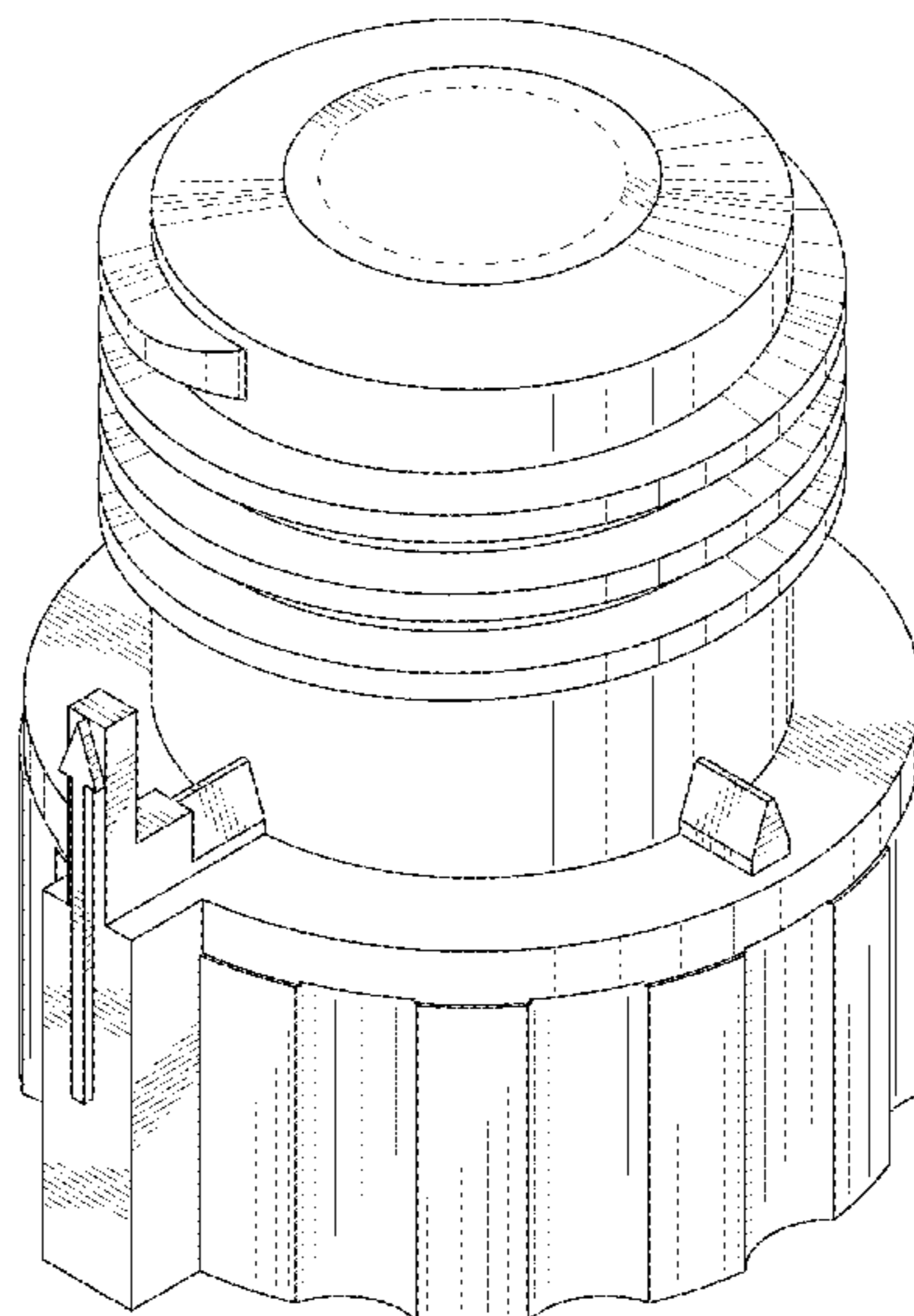
(56) **References Cited**

U.S. PATENT DOCUMENTS

- 4,178,646 A * 12/1979 Swartz B67B 7/36
7/156
D275,453 S * 9/1984 Bankier D9/415

The dashed lines immediately adjacent to the shaded areas in the figures represent the boundaries of the claimed design. The dashed lines in the figures illustrate the portions of the design that form no part of the claimed design. None of the broken lines form any part of the claimed design.

1 Claim, 7 Drawing Sheets



(56)

References Cited

U.S. PATENT DOCUMENTS

7,628,772	B2 *	12/2009	McConnell	A61J 1/2096	604/181
D612,939	S *	3/2010	Boone, III	D24/133	
7,691,071	B2 *	4/2010	Kojima	A61B 5/0006	600/347
D616,984	S *	6/2010	Gilboa	D24/129	
7,763,006	B2 *	7/2010	Tennican	A61M 39/165	604/500
D644,319	S *	8/2011	Virr	D24/110	
D673,261	S *	12/2012	Rapoport	D24/110	
8,608,710	B2 *	12/2013	Zhao	A61M 5/329	604/115
D748,498	S *	2/2016	Pipes	D9/424	
2002/0092521	A1 *	7/2002	Sullivan	A61M 15/0028	128/200.24
2004/0006312	A1 *	1/2004	Donnan	A61M 5/1782	604/181
2004/0098010	A1 *	5/2004	Davison	A61B 5/150206	606/181
2007/0282275	A1 *	12/2007	Ferguson	A61B 5/150587	604/198
2009/0287237	A1 *	11/2009	Nicholls	A61B 5/150916	606/182
2010/0268116	A1 *	10/2010	Fojtik	A61M 5/3129	600/566
2010/0298815	A1 *	11/2010	Scifert	A61L 24/0084	604/890.1
2011/0077600	A1 *	3/2011	Uchida	A61M 5/326	604/198
2011/0288574	A1 *	11/2011	Curry	A61B 5/15194	606/185
2012/0150125	A1 *	6/2012	Karlsson	A61M 5/326	604/198
2012/0165745	A1 *	6/2012	Nielsen	A61M 5/3202	604/192
2012/0247477	A1 *	10/2012	Stephenson	A61M 16/04	128/207.14
2012/0259281	A1 *	10/2012	Wei	A61M 5/326	604/111
2014/0188046	A1 *	7/2014	DiBiasi	A61M 5/3202	604/111
2014/0228766	A1 *	8/2014	Iio	A61M 5/00	604/187
2014/0249481	A1 *	9/2014	Slemmen	A61M 5/326	604/198
2015/0328412	A1 *	11/2015	Bates	A61M 5/002	604/117
2016/0073943	A1 *	3/2016	Cheng	A61B 5/15186	606/181

* cited by examiner

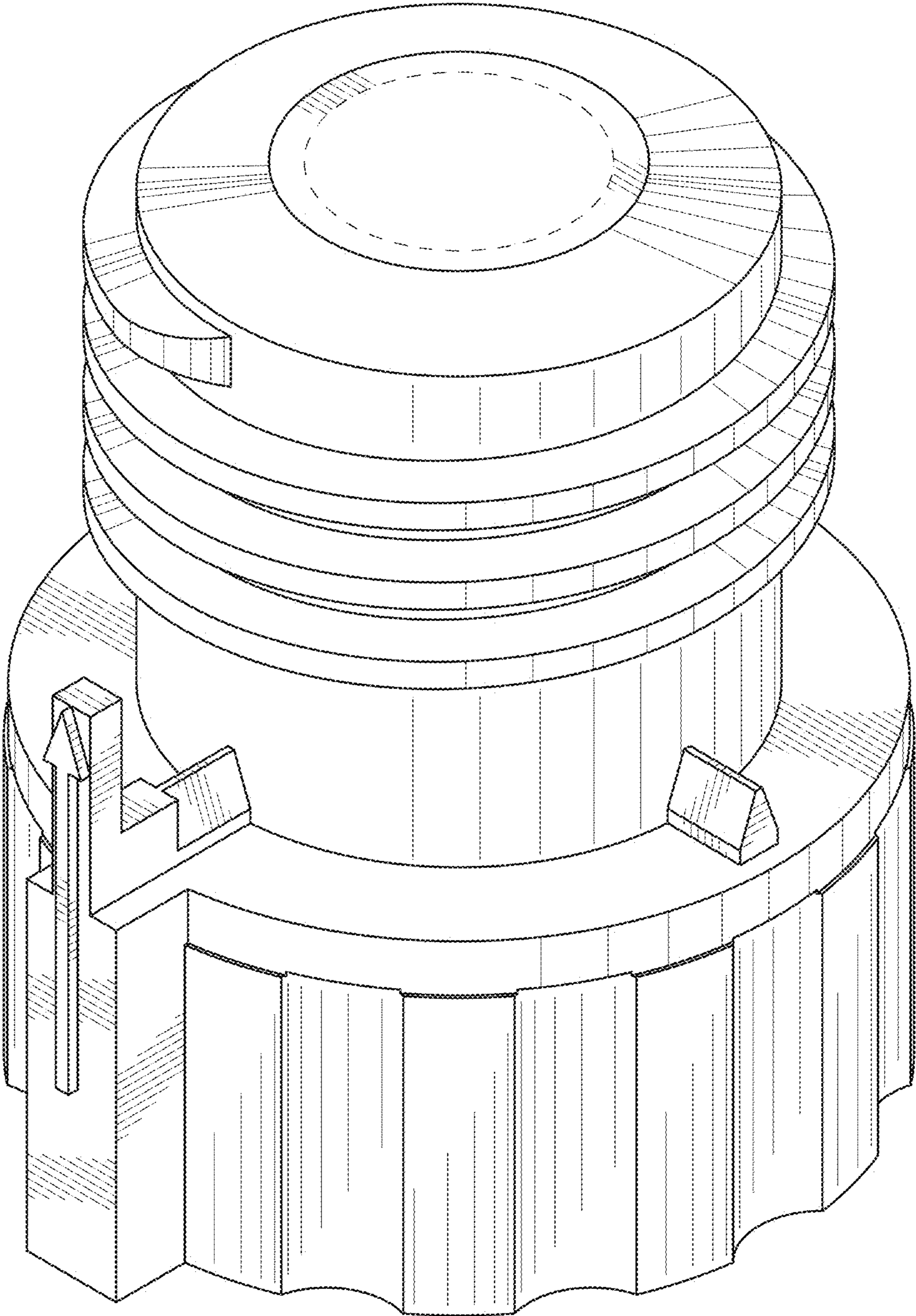


FIG. 1

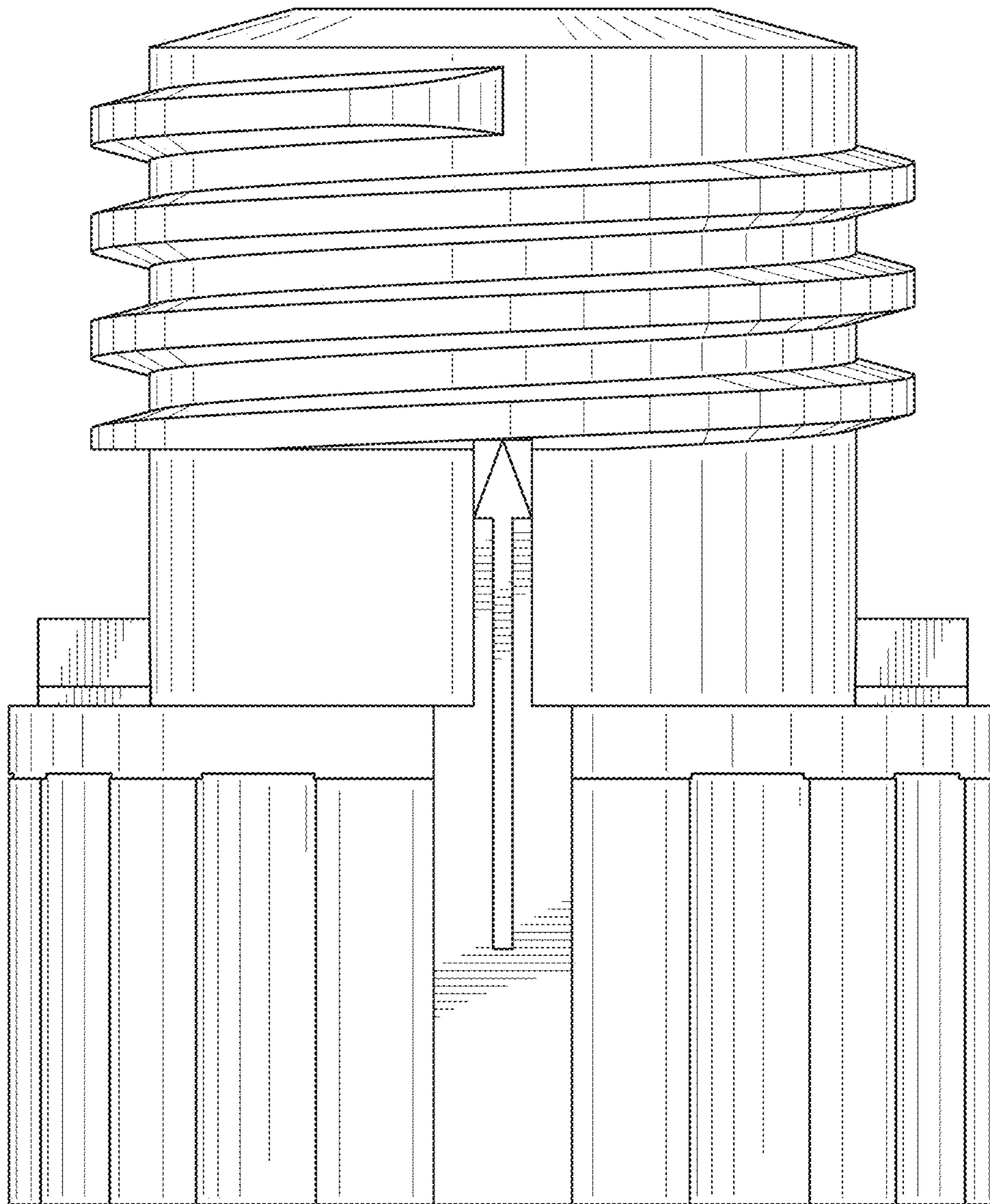


FIG. 2

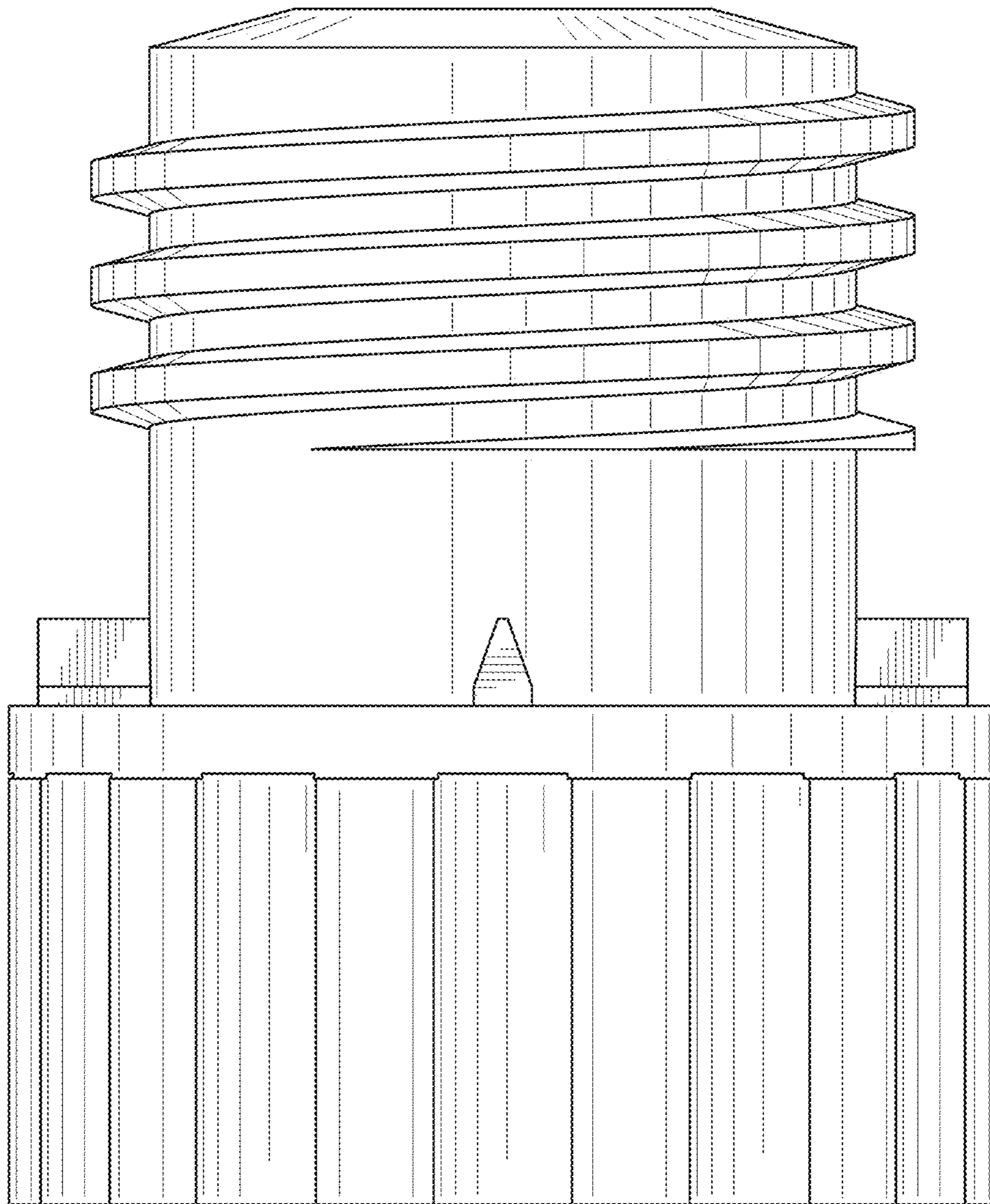


FIG. 3

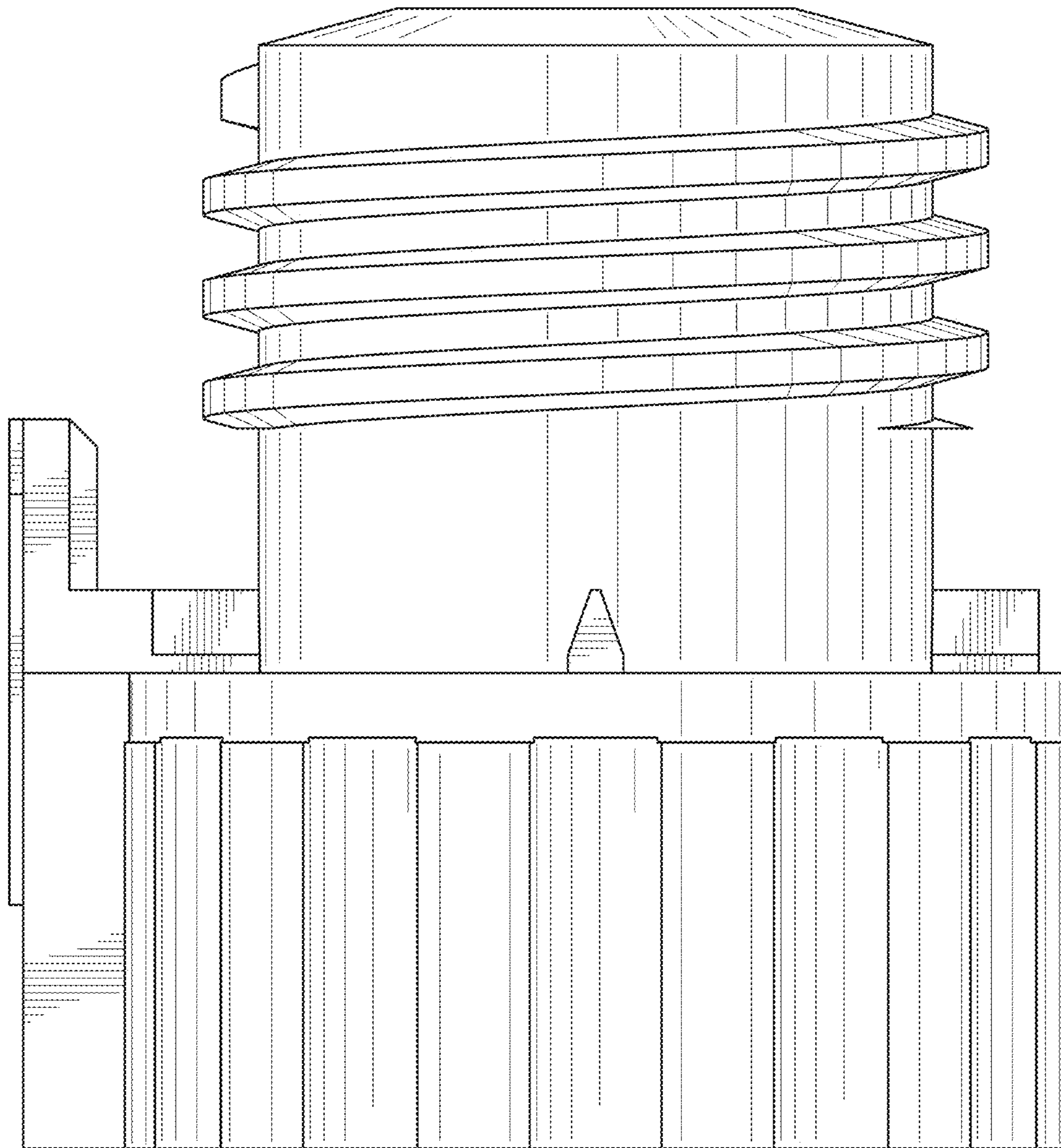


FIG. 4

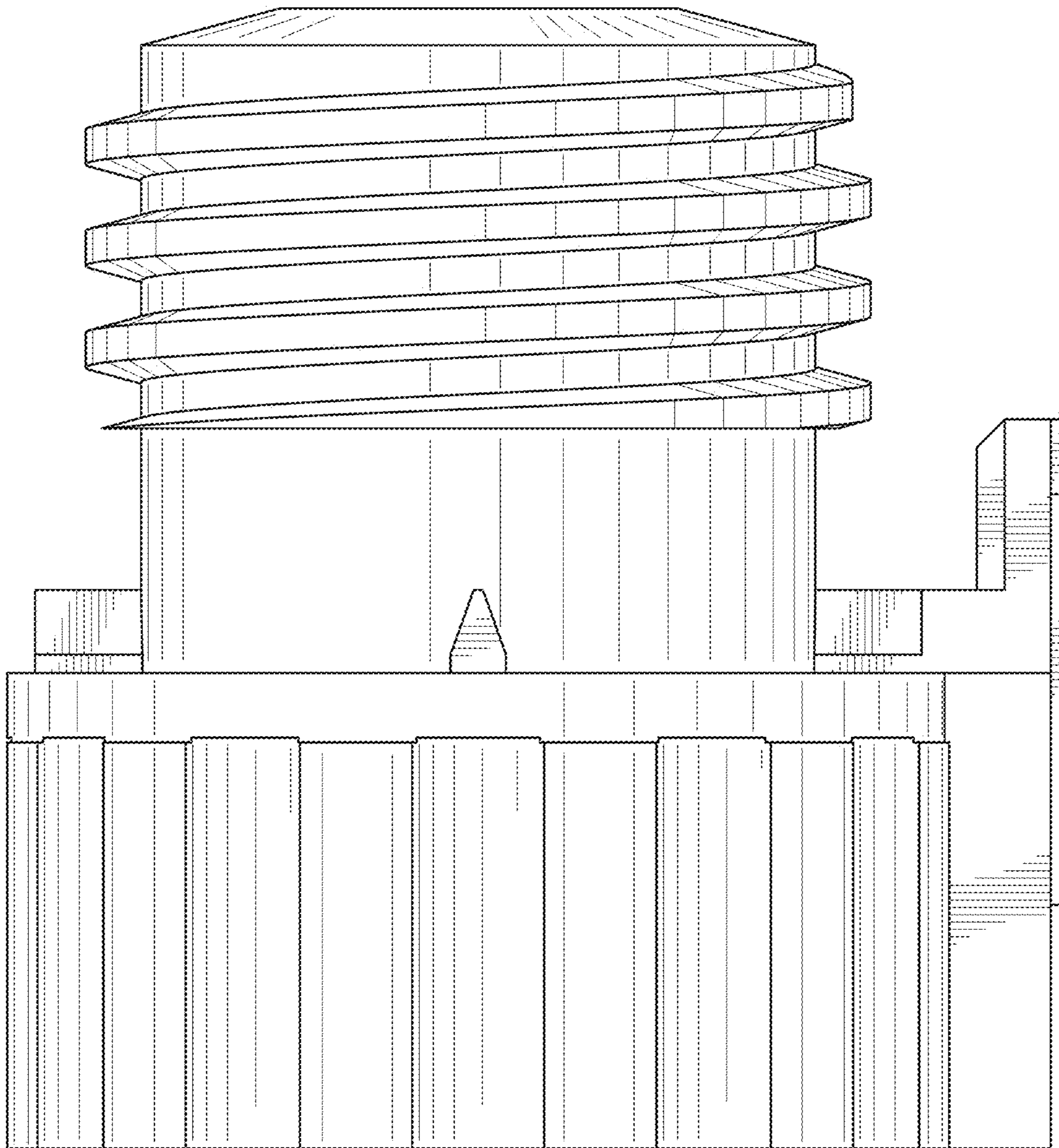


FIG. 5

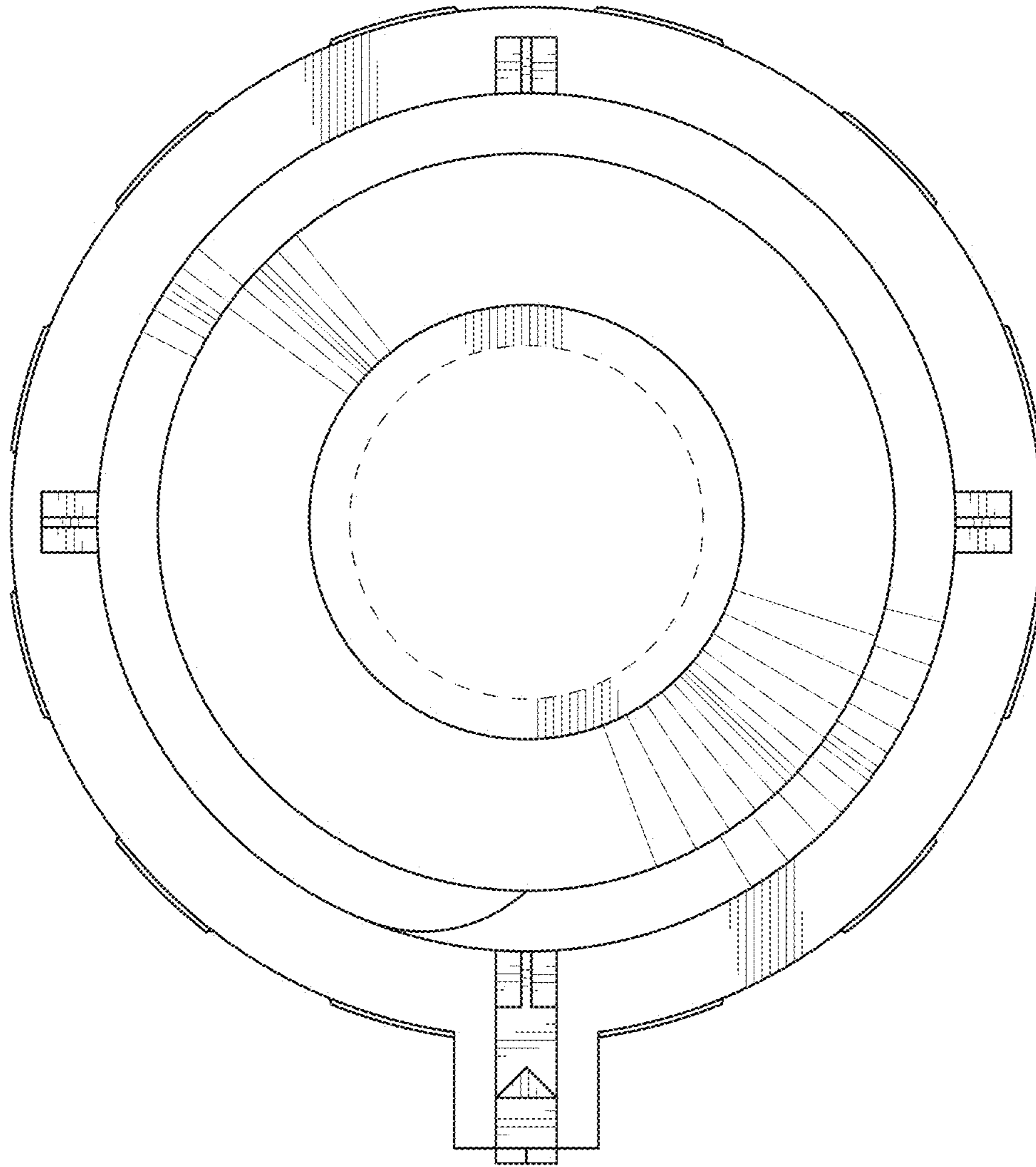


FIG. 6

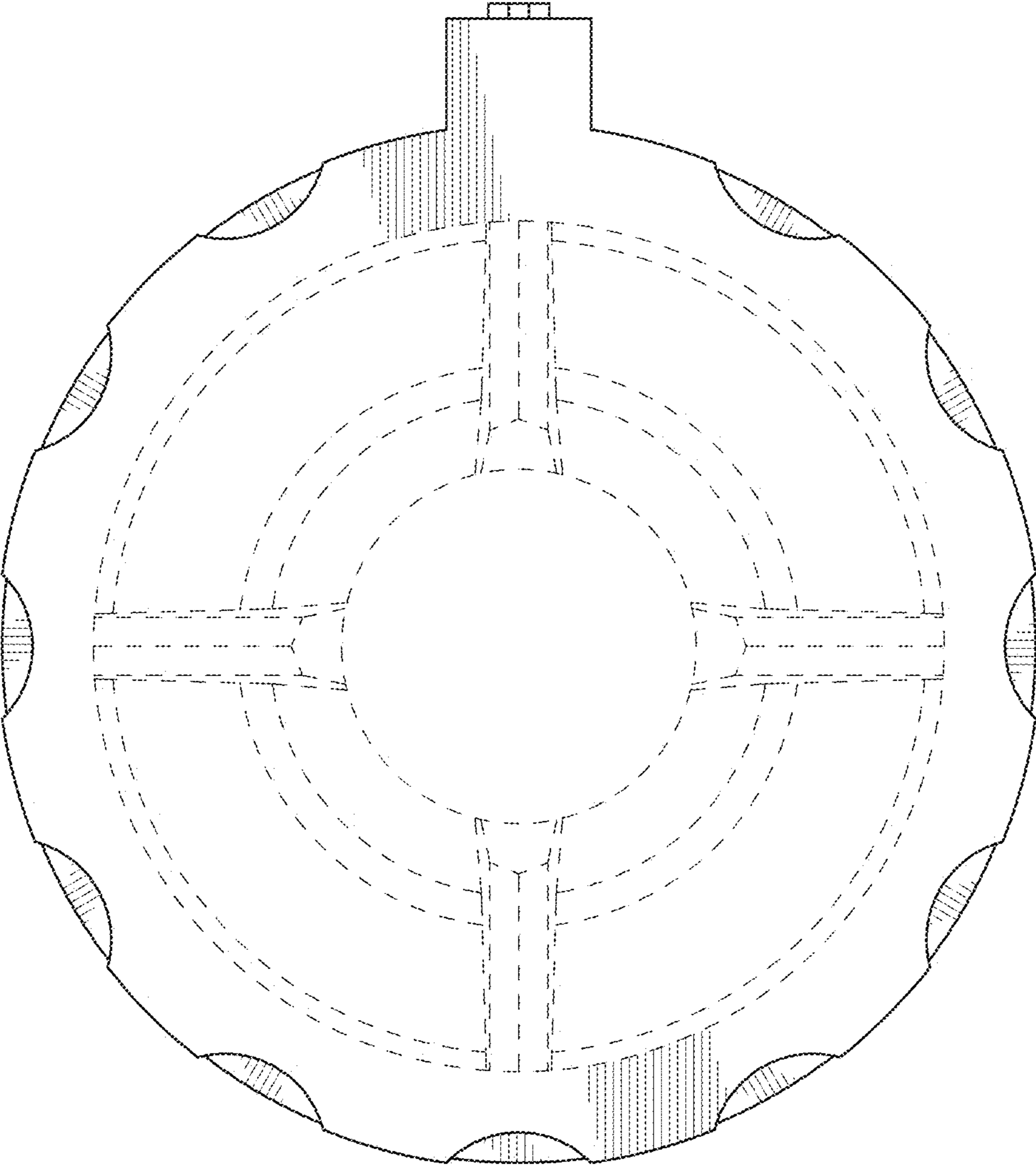


FIG. 7