



US00D884886S

(12) **United States Design Patent** (10) **Patent No.:** **US D884,886 S**  
**Kangastupa** (45) **Date of Patent:** **\*\* May 19, 2020**

(54) **HAND OPERATED MEDICAL INSTRUMENT**

(71) Applicant: **VISIONISTI OY**, Seinäjoki (FI)

(72) Inventor: **Timo Kangastupa**, Seinäjoki (FI)

(73) Assignee: **VISIONISTI OY**, Seinäjoki (FI)

(\*\*) Term: **15 Years**

(21) Appl. No.: **29/674,801**

(22) Filed: **Dec. 26, 2018**

**Related U.S. Application Data**

(62) Division of application No. 29/565,550, filed on May 22, 2016.

(30) **Foreign Application Priority Data**

Nov. 24, 2015 (EM) ..... 002874420-0001  
Nov. 24, 2015 (EM) ..... 002874420-0002  
Nov. 24, 2015 (EM) ..... 002874420-0003  
Nov. 24, 2015 (EM) ..... 002874420-0004

(51) **LOC (12) Cl.** ..... **24-01**

(52) **U.S. Cl.**  
USPC ..... **D24/129**

(58) **Field of Classification Search**  
USPC ..... D24/112-114, 133, 186, 104, 127, 130;  
606/181, 185; 604/264, 272, 115, 232,  
604/187, 158, 164.08, 192, 263, 163, 181,  
604/184, 198, 227  
CPC ..... A61F 9/0026; A61F 9/0008; A61F 9/007;  
A61F 2250/0007; A61M 5/46  
See application file for complete search history.

(56) **References Cited**

**U.S. PATENT DOCUMENTS**

4,178,646 A \* 12/1979 Swartz ..... B67B 7/36  
7/156  
D275,453 S \* 9/1984 Bankier ..... D9/415

5,112,313 A \* 5/1992 Sallee ..... A61M 25/0612  
604/180  
5,334,162 A \* 8/1994 Harris ..... A61J 1/062  
604/232  
5,554,097 A \* 9/1996 Guy ..... A61B 1/00144  
206/438  
D387,665 S \* 12/1997 Eichhorn ..... D9/424  
D416,086 S \* 11/1999 Parris ..... D24/112  
D440,657 S \* 4/2001 Wilkinson ..... D24/130  
D440,658 S \* 4/2001 Wilkinson ..... D24/130  
D472,630 S \* 4/2003 Douglas ..... D24/108  
D495,416 S \* 8/2004 Dimeo ..... A61J 1/2096  
D24/108  
D496,101 S \* 9/2004 Davison ..... D24/112  
7,628,772 B2 \* 12/2009 McConnell ..... A61J 1/2096  
604/181  
D612,939 S \* 3/2010 Boone, III ..... D24/133  
7,691,071 B2 \* 4/2010 Kojima ..... A61B 5/0006  
600/347

(Continued)

*Primary Examiner* — Nathan M Johnston  
(74) *Attorney, Agent, or Firm* — Hoffmann & Baron, LLP

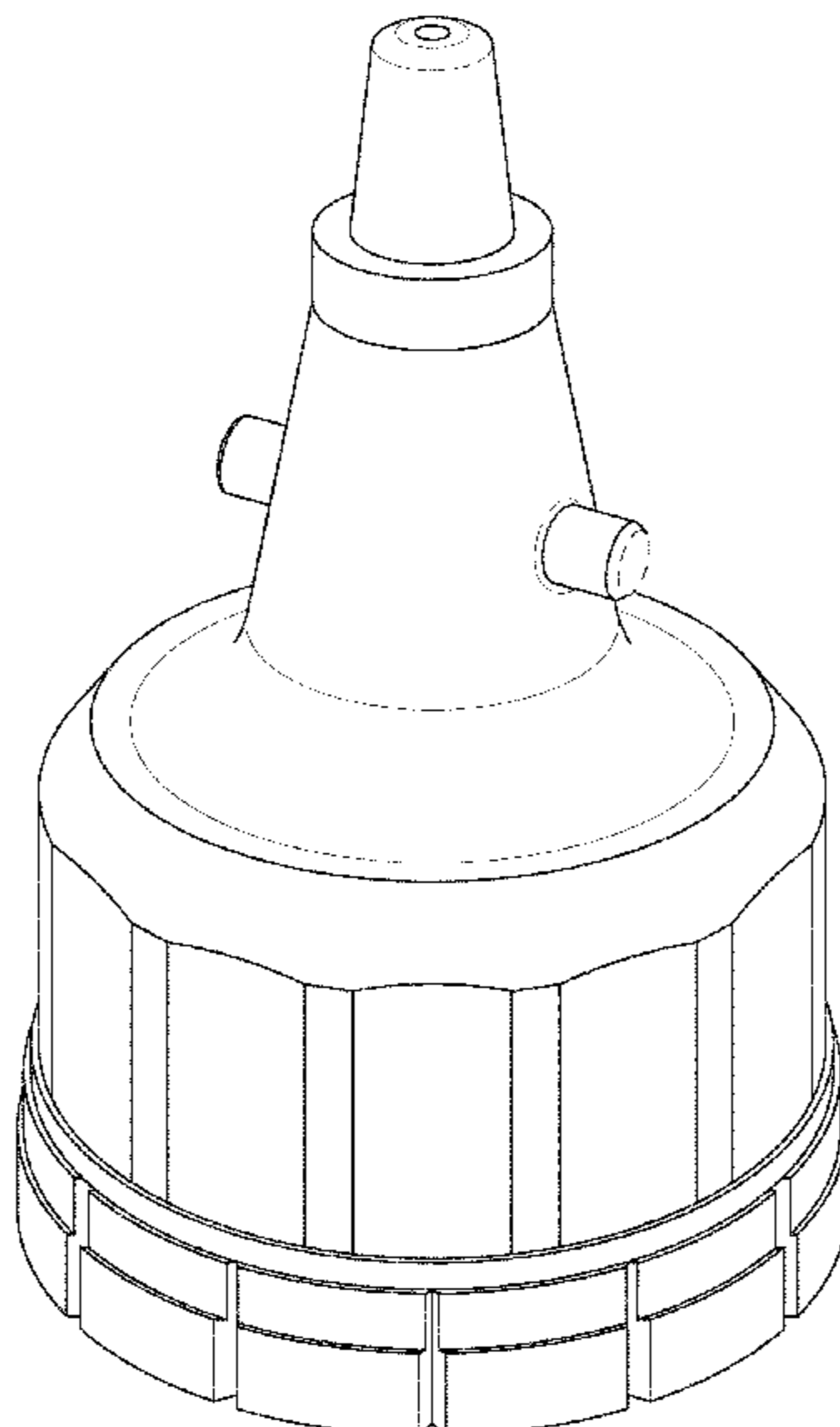
(57) **CLAIM**

The ornamental design for a hand operated medical instrument, as shown and described.

**DESCRIPTION**

FIG. 1 is a top, front and left side perspective view of a hand operated medical instrument showing my new design;  
FIG. 2 is a front view thereof;  
FIG. 3 is a rear view thereof;  
FIG. 4 is a right side view thereof;  
FIG. 5 is a left side view thereof;  
FIG. 6 is a top view thereof; and,  
FIG. 7 is a bottom view thereof.  
The broken lines show portions of the design that form no part of the claimed design.

**1 Claim, 7 Drawing Sheets**





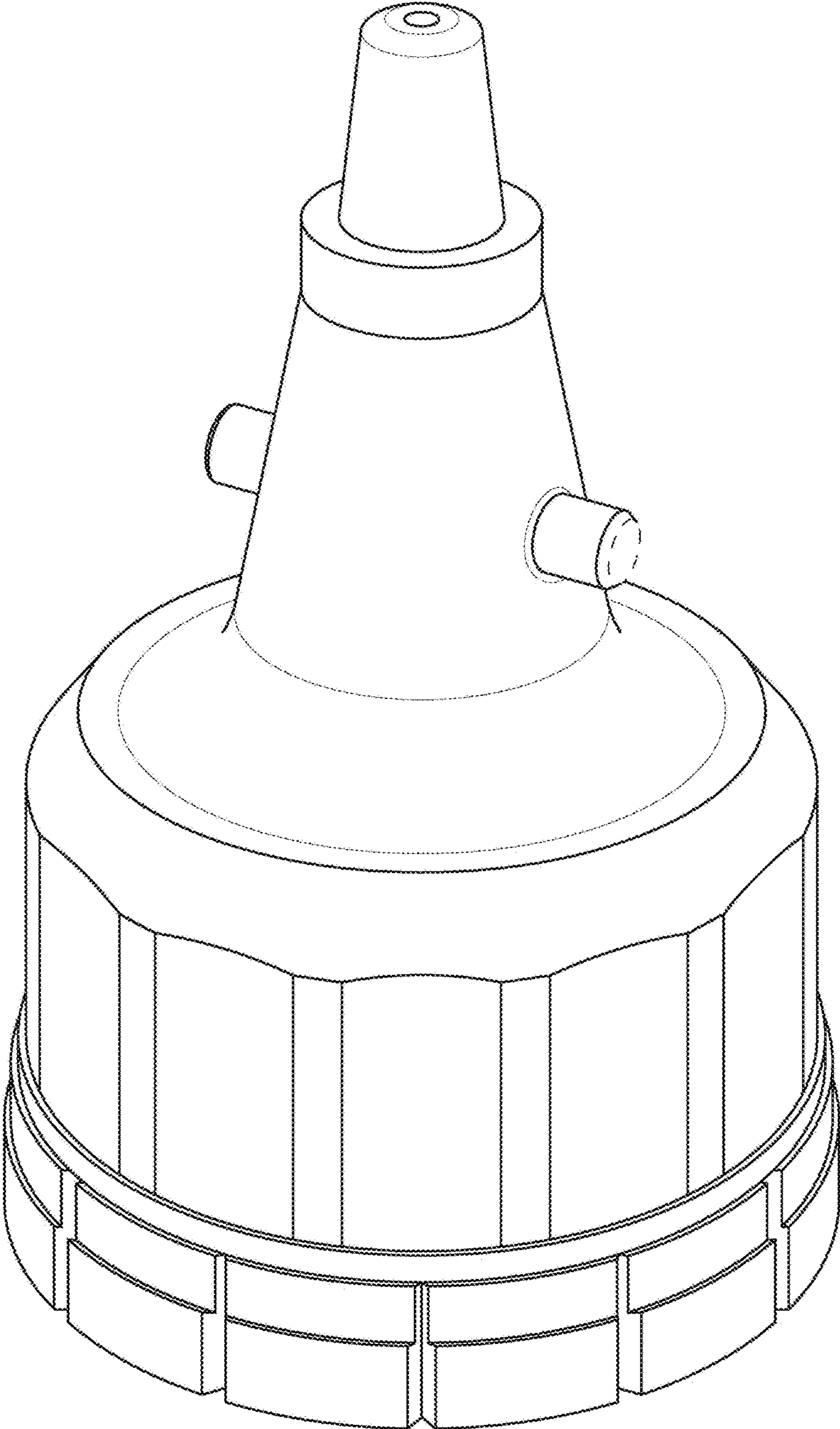


FIG. 1

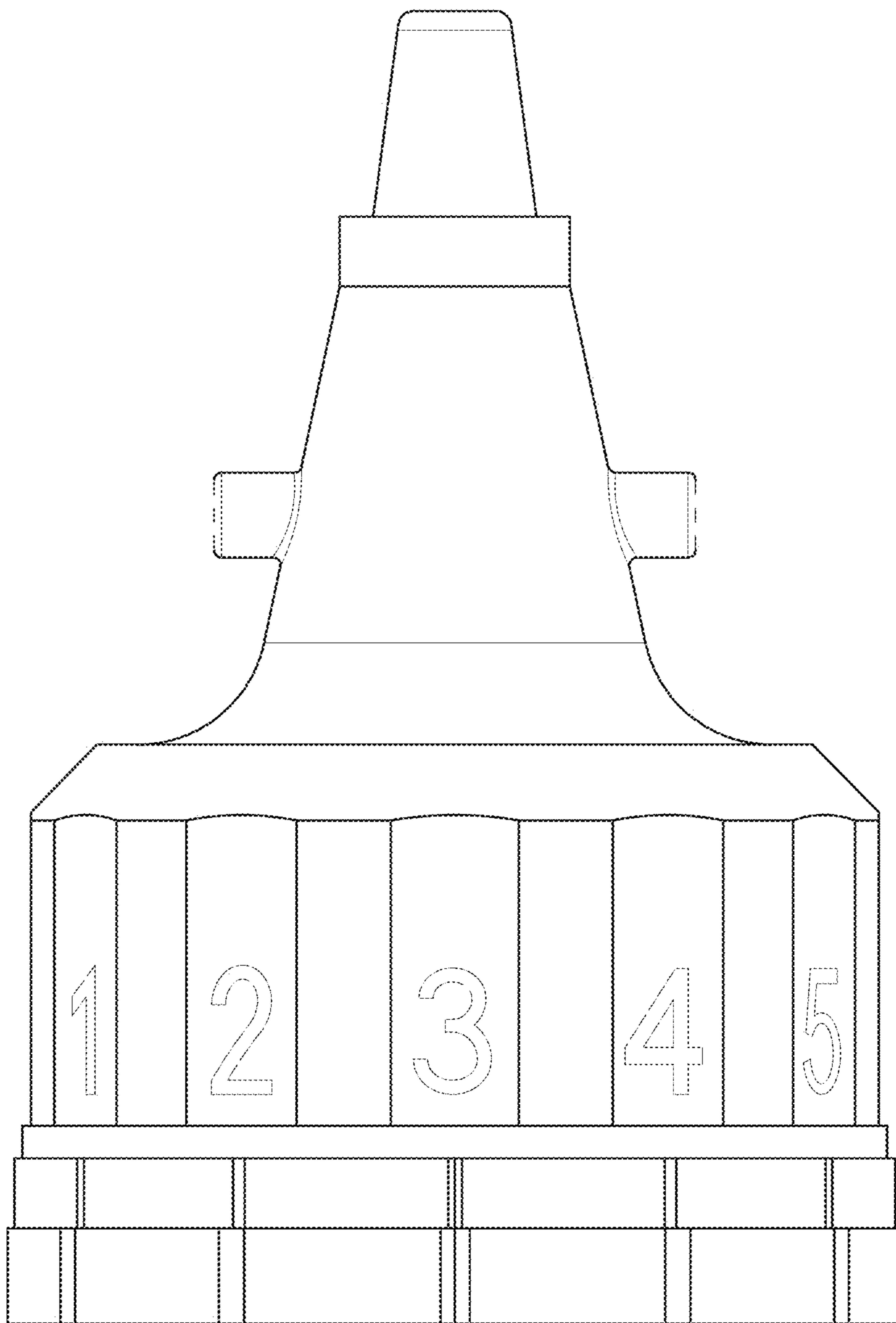


FIG. 2

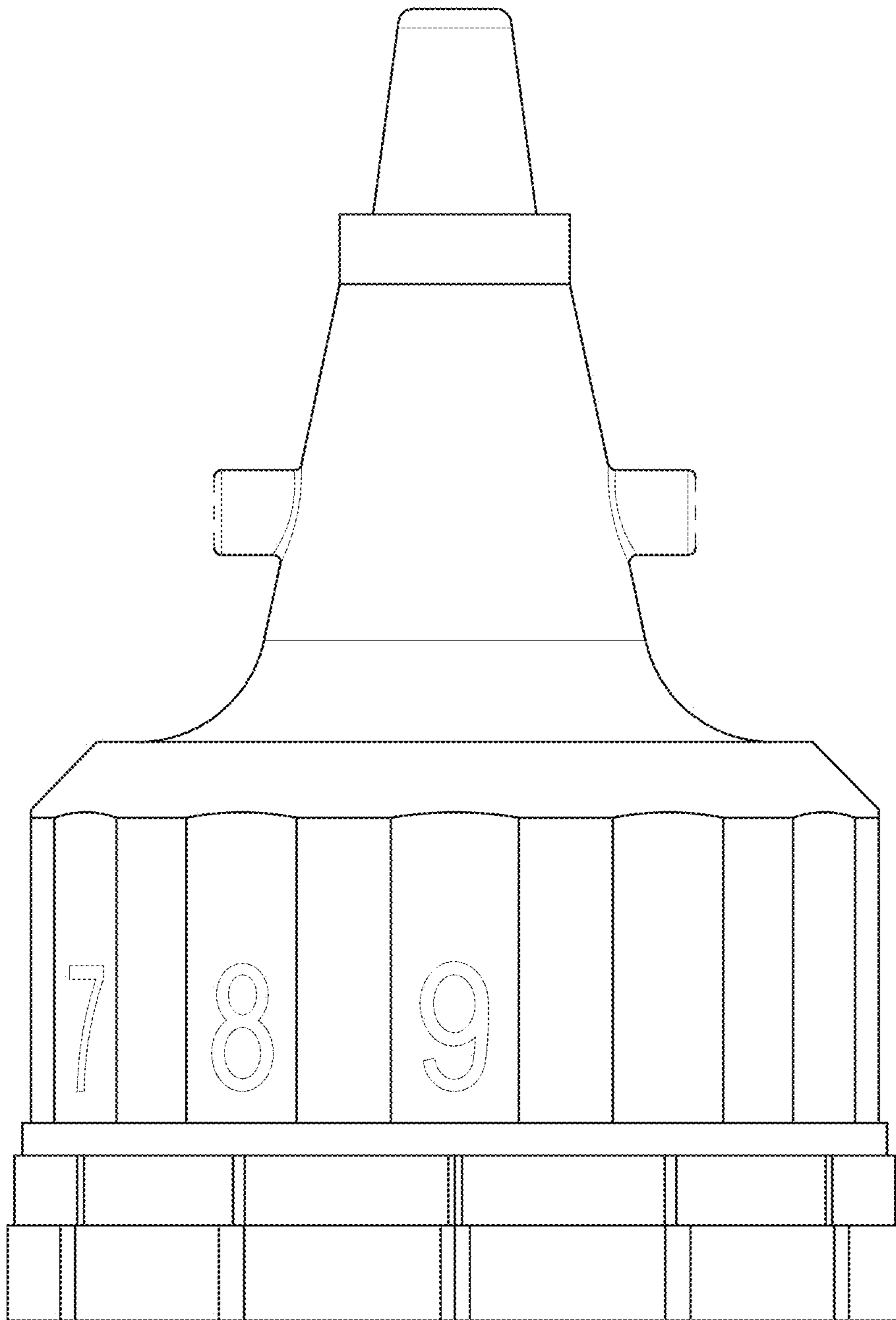


FIG. 3



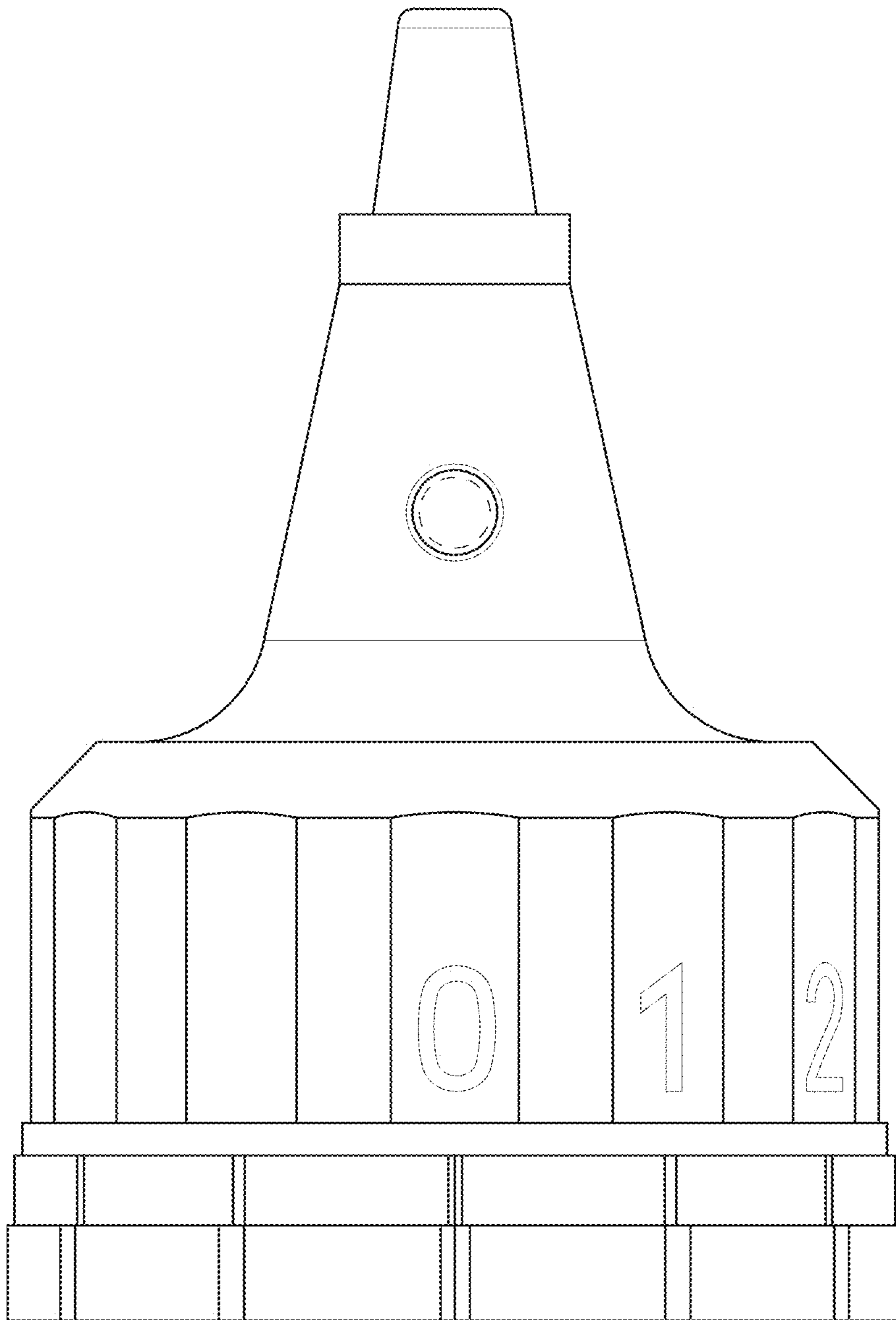


FIG. 4

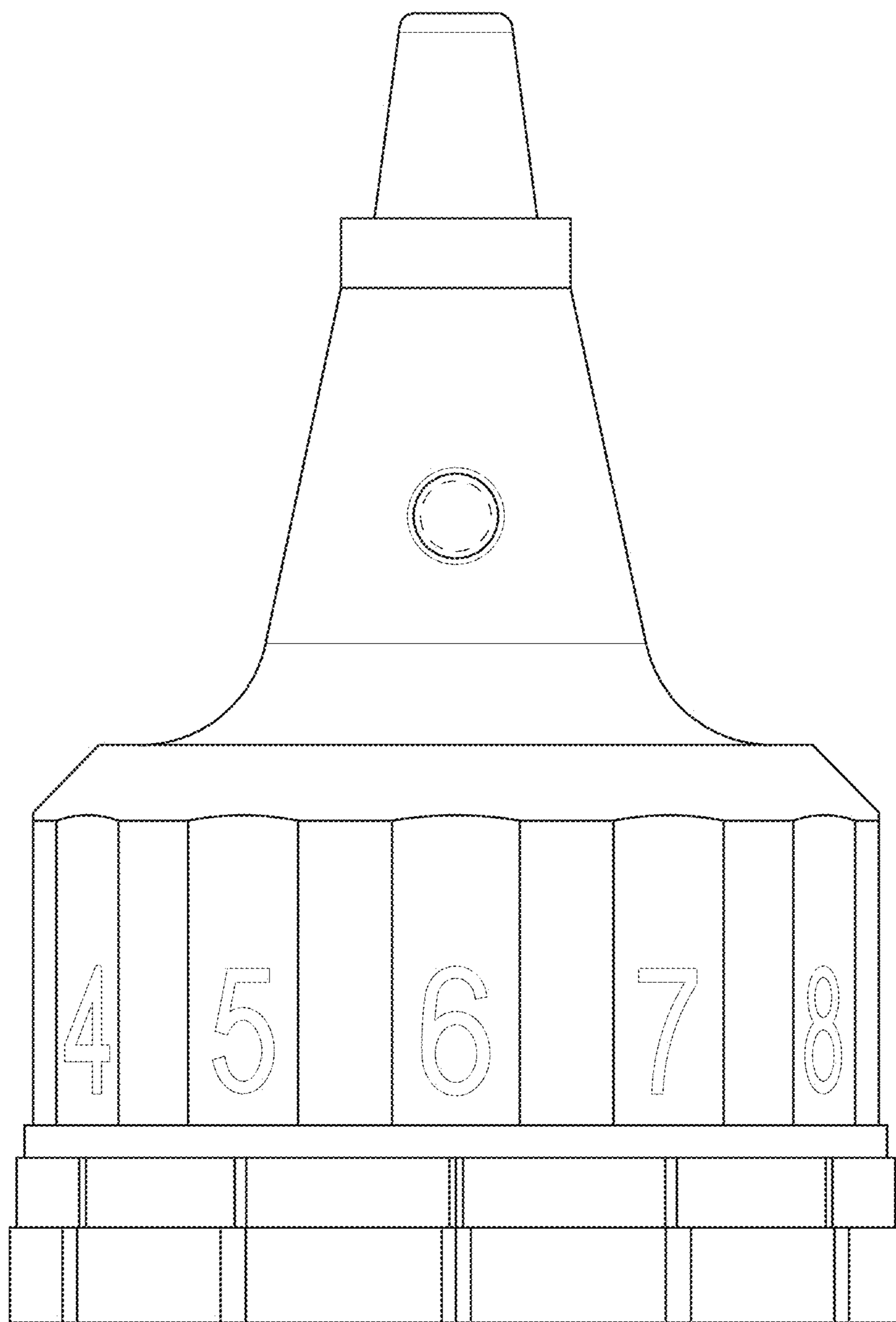


FIG. 5

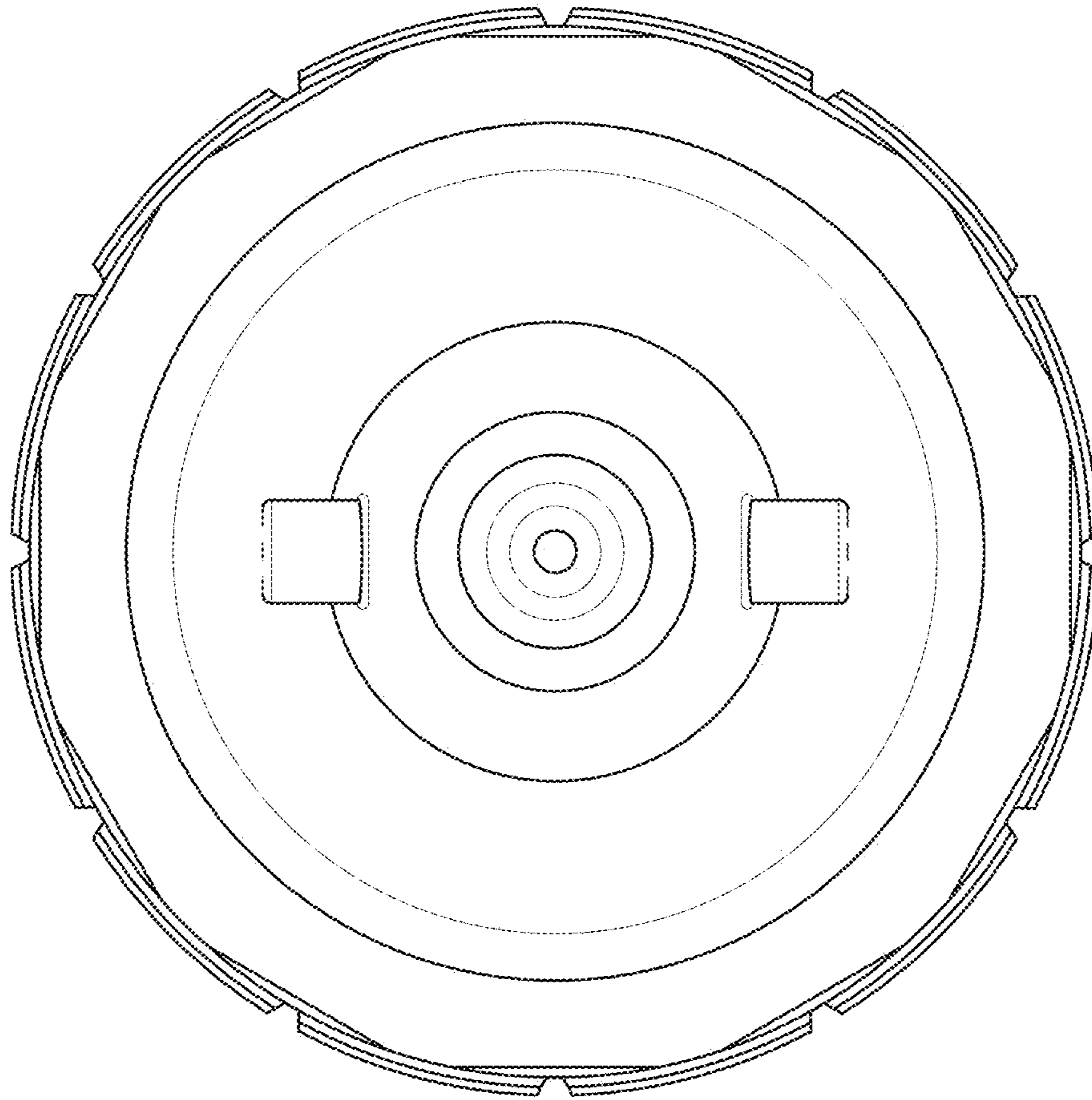


FIG. 6



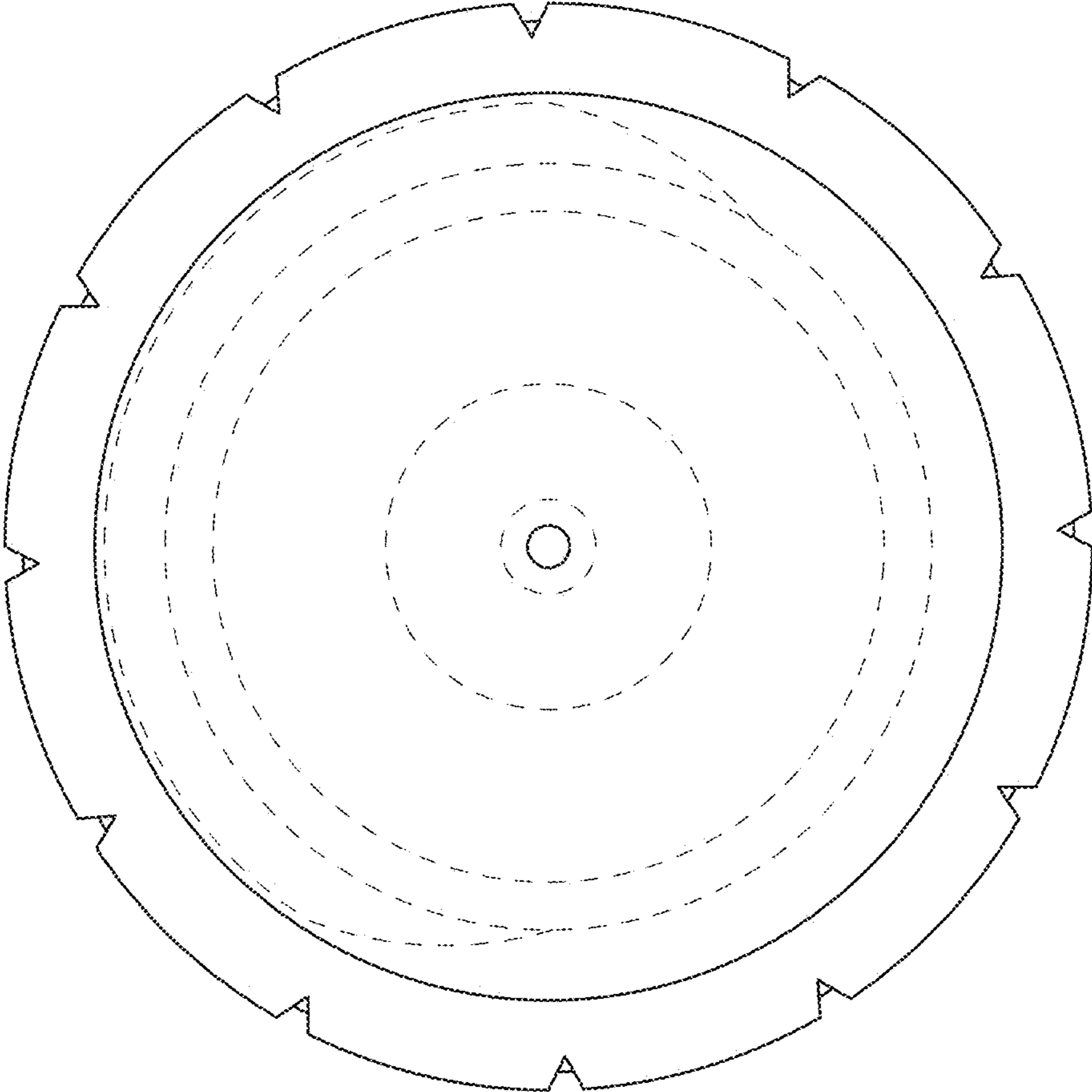


FIG. 7