



US00D884885S

(12) **United States Design Patent**
Hu et al.

(10) **Patent No.:** **US D884,885 S**

(45) **Date of Patent:** **** May 19, 2020**

(54) **PINCH CLAMP**

(71) Applicant: **Becton, Dickinson and Company**,
Franklin Lakes, NJ (US)

(72) Inventors: **Olivia Hu**, Shanghai (CN); **Ralph L. Sonderegger**, Farmington, UT (US);
Shaun Staley, Murray, UT (US)

(73) Assignee: **Becton, Dickinson and Company**,
Franklin Lakes, NJ (US)

(**) Term: **15 Years**

(21) Appl. No.: **29/665,586**

(22) Filed: **Oct. 4, 2018**

(51) **LOC (12) Cl.** **24-02**

(52) **U.S. Cl.**
USPC **D24/128**

(58) **Field of Classification Search**
USPC D24/128, 133, 143, 129, 135; 606/157;
128/910, DIG. 25; 248/74.2, 316.1;
D8/390, 395; 24/499, 562-563, 536, 557,
24/293, 508, 910
CPC B25B 1/00; B25B 5/00; B25B 1/2478;
B25B 1/103; B25B 1/22; B25B 1/2405;
B25B 1/2457
See application file for complete search history.

(56) **References Cited**

U.S. PATENT DOCUMENTS

4,588,160 A * 5/1986 Flynn A61M 39/284
251/10
4,589,626 A * 5/1986 Kurtz A61M 39/288
251/10
D286,014 S * 10/1986 Davis D8/395
4,744,788 A * 5/1988 Mercer, Jr. A61B 17/122
604/500
D298,216 S * 10/1988 Eisenberg D24/129

5,695,505 A * 12/1997 Yoon A61B 17/0487
606/151
5,913,862 A * 6/1999 Ramsey A61B 17/122
606/120
D427,307 S * 6/2000 Guala D24/129
D428,330 S * 7/2000 Johnston D8/395
D431,650 S * 10/2000 Guala D24/129
D484,400 S * 12/2003 Blake D8/356
D507,481 S * 7/2005 Blake D8/356
D517,884 S * 3/2006 Ellingwood D24/133
D518,687 S * 4/2006 Baker D24/143
D619,711 S * 7/2010 Lombardo D24/128
D637,712 S * 5/2011 Chau D24/129
D638,121 S * 5/2011 Villasana D24/128
D809,370 S * 2/2018 Tang D8/356
D810,555 S * 2/2018 O'Brien D8/394
D827,418 S * 9/2018 Austin D8/356
2011/0009717 A1 * 1/2011 Davis A61B 5/1405
600/309
2015/0018783 A1 * 1/2015 Myers A61M 39/28
604/319
2016/0213889 A1 * 7/2016 Sos A61M 25/09
2017/0326339 A1 * 11/2017 Bailey A61M 25/0021

(Continued)

Primary Examiner — Nathan M Johnston

(74) *Attorney, Agent, or Firm* — Kirton & McConkie;
Craig Metcalf; Kevin Stinger

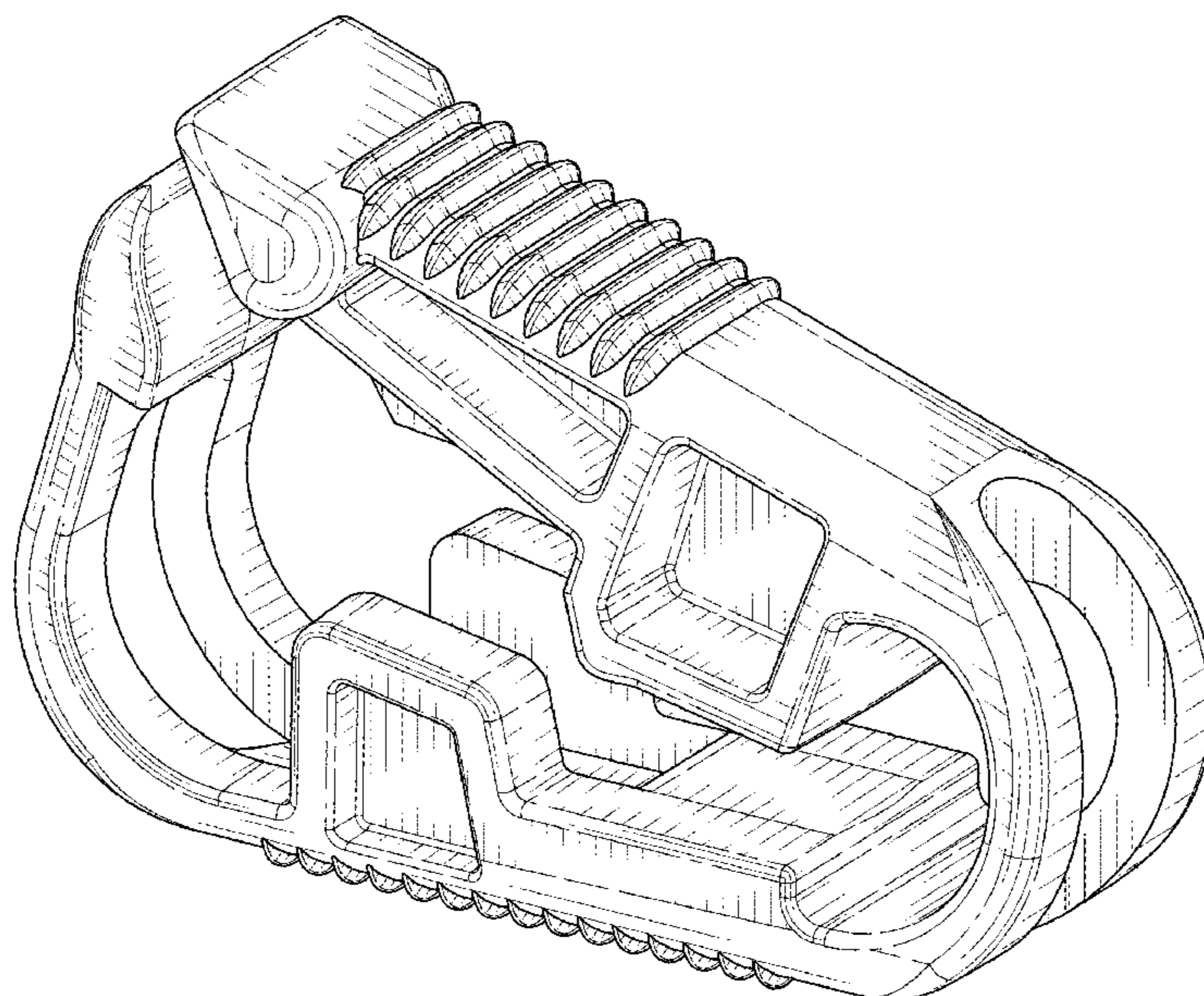
(57) **CLAIM**

The ornamental design for a pinch clamp, as shown.

DESCRIPTION

FIG. 1 is a front perspective view of a pinch clamp showing our new design;
FIG. 2 is a front elevation view thereof;
FIG. 3 is a rear elevation view thereof;
FIG. 4 is a left elevation view thereof;
FIG. 5 is a right elevation view thereof;
FIG. 6 is a top plan view thereof; and,
FIG. 7 is a bottom plan view thereof.

1 Claim, 4 Drawing Sheets



(56)

References Cited

U.S. PATENT DOCUMENTS

2019/0275300 A1* 9/2019 Rosenberg A61M 25/0097
2019/0321616 A1* 10/2019 Akahori A61M 39/10

* cited by examiner

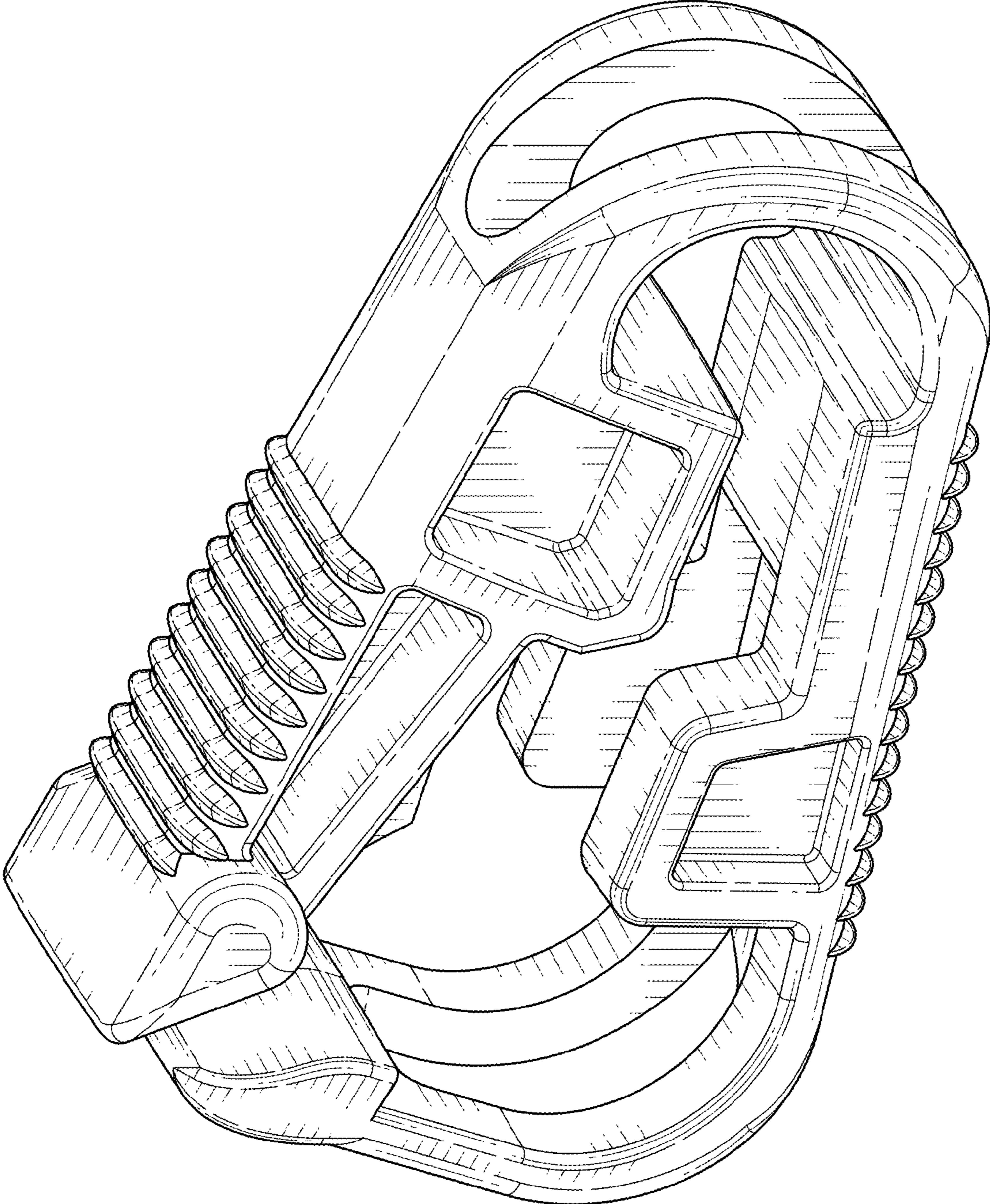


FIG. 1

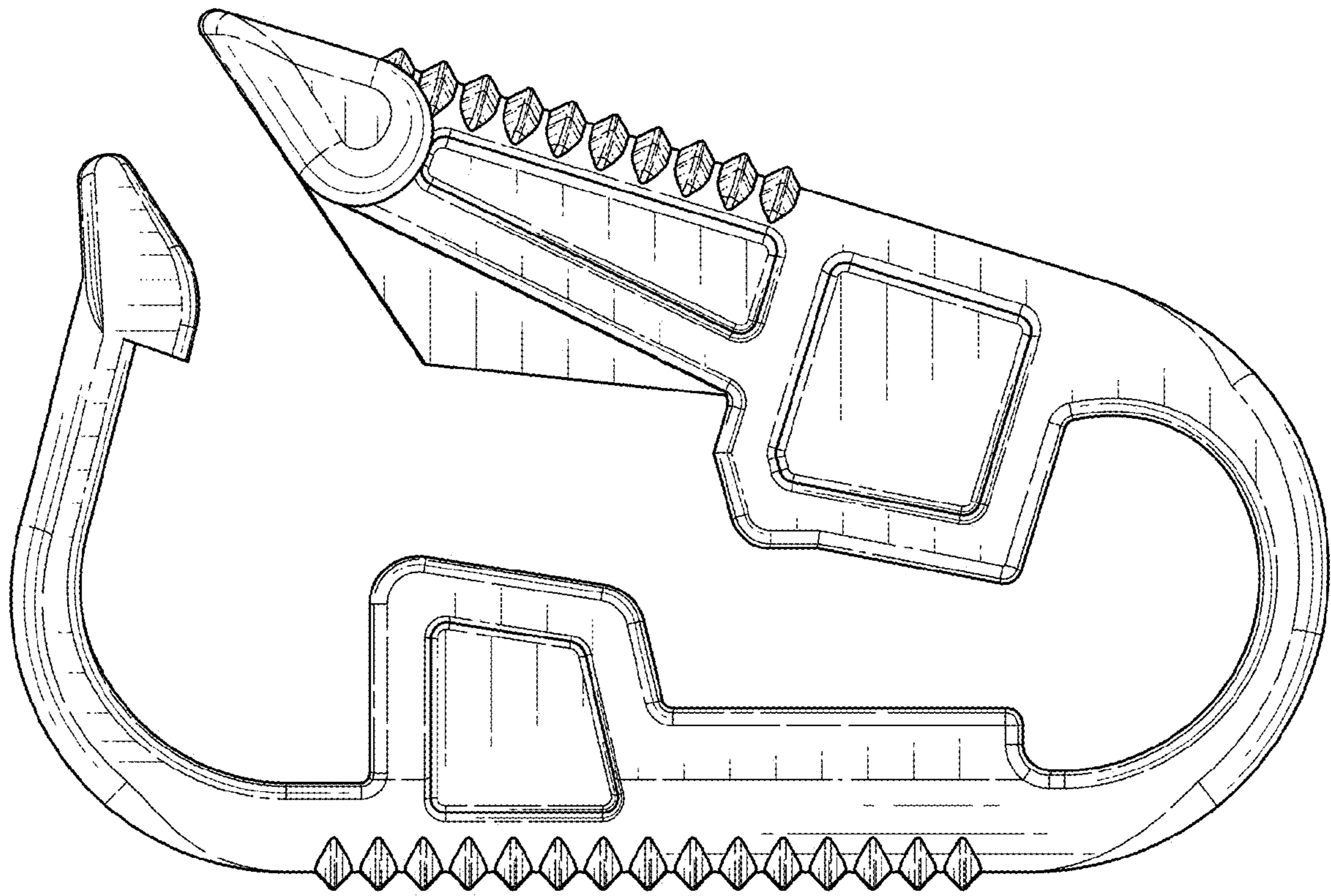


FIG. 2

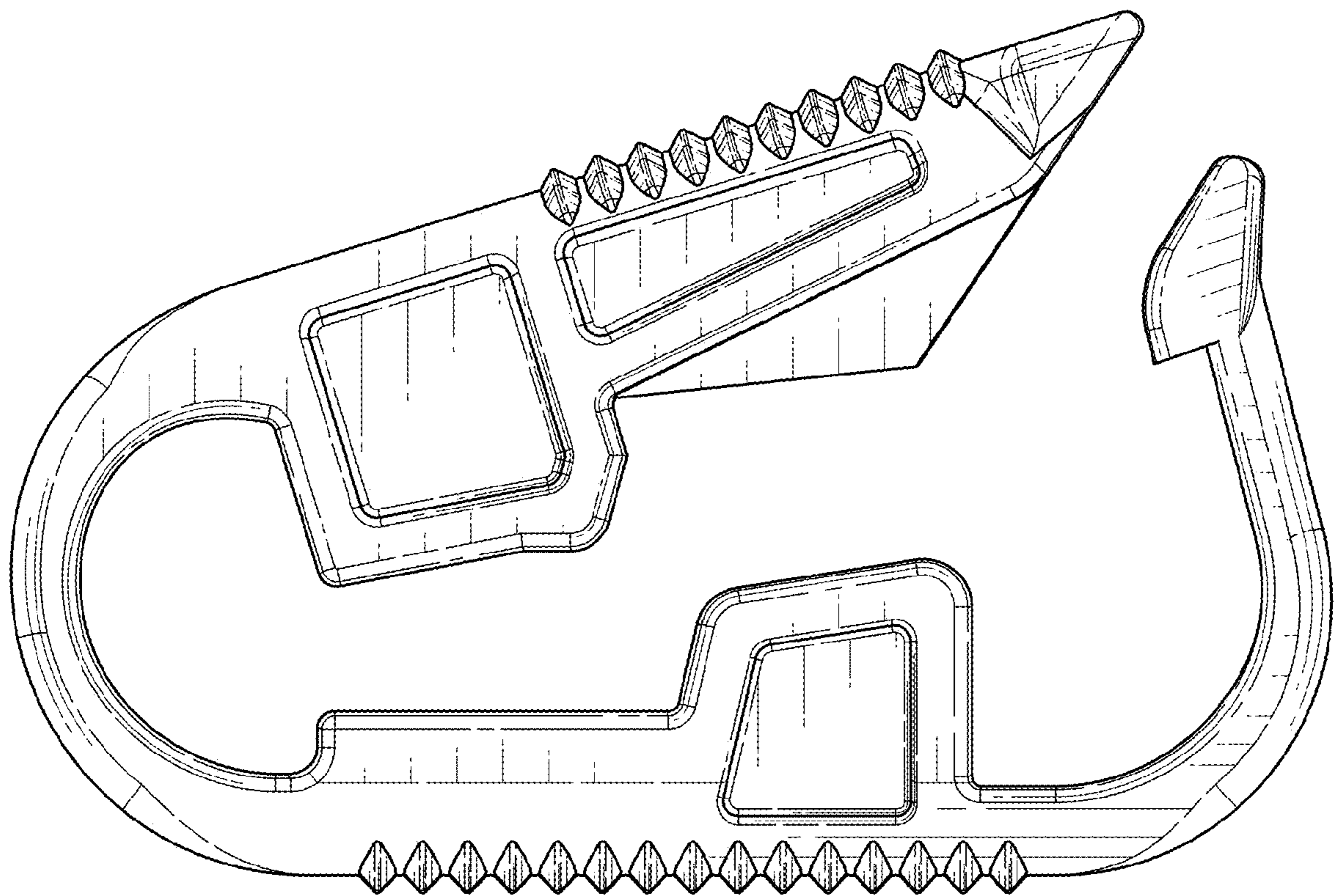


FIG. 3

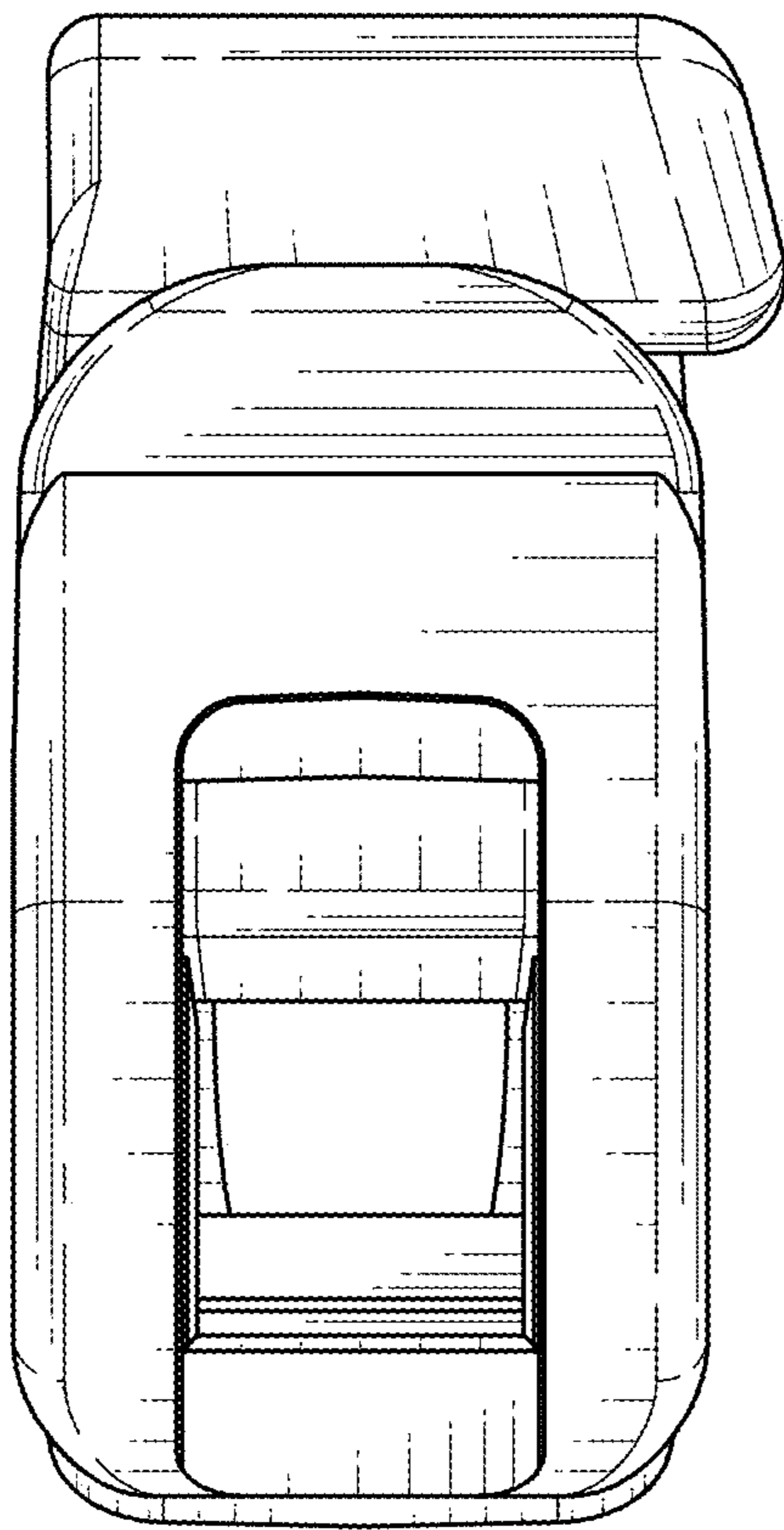


FIG. 4

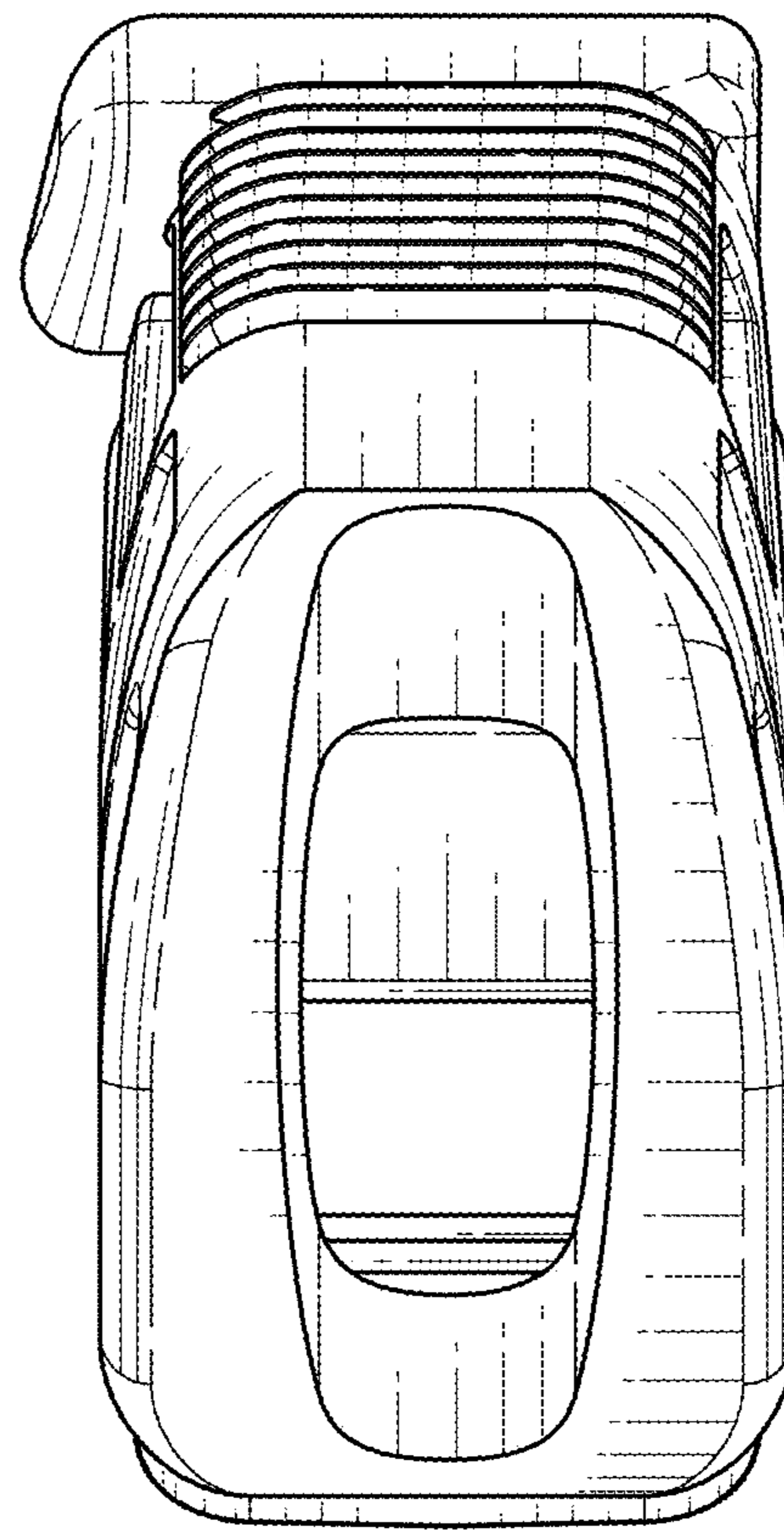


FIG. 5

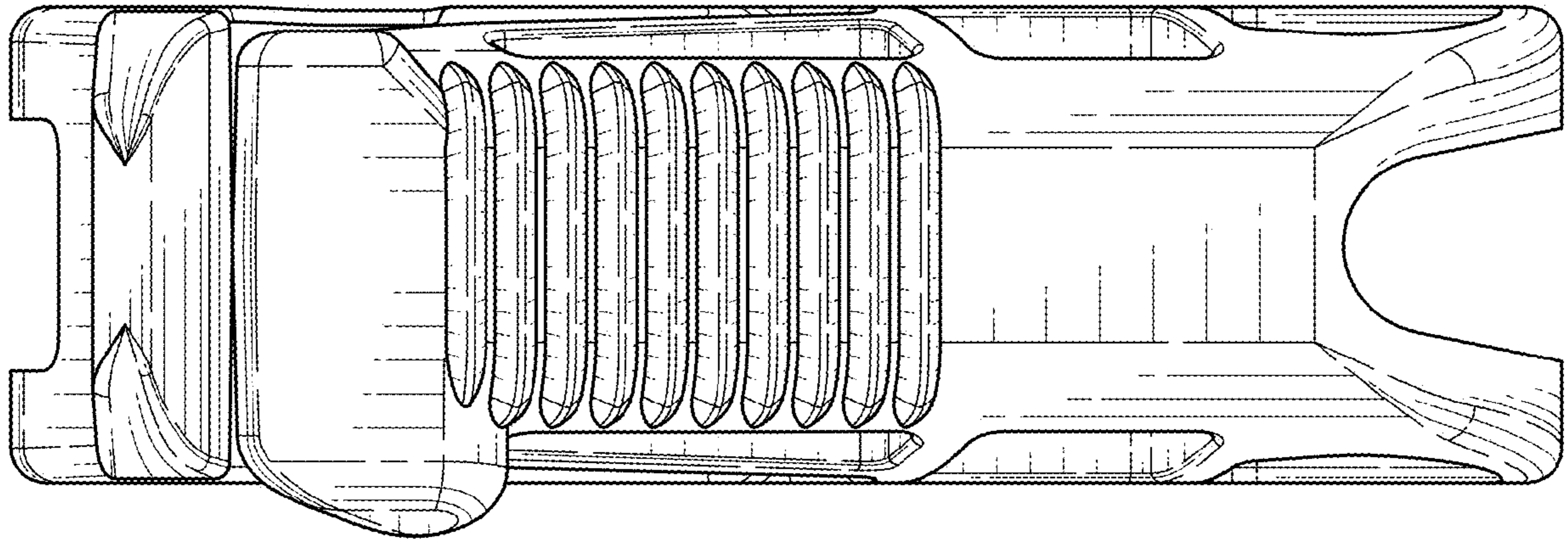


FIG. 6

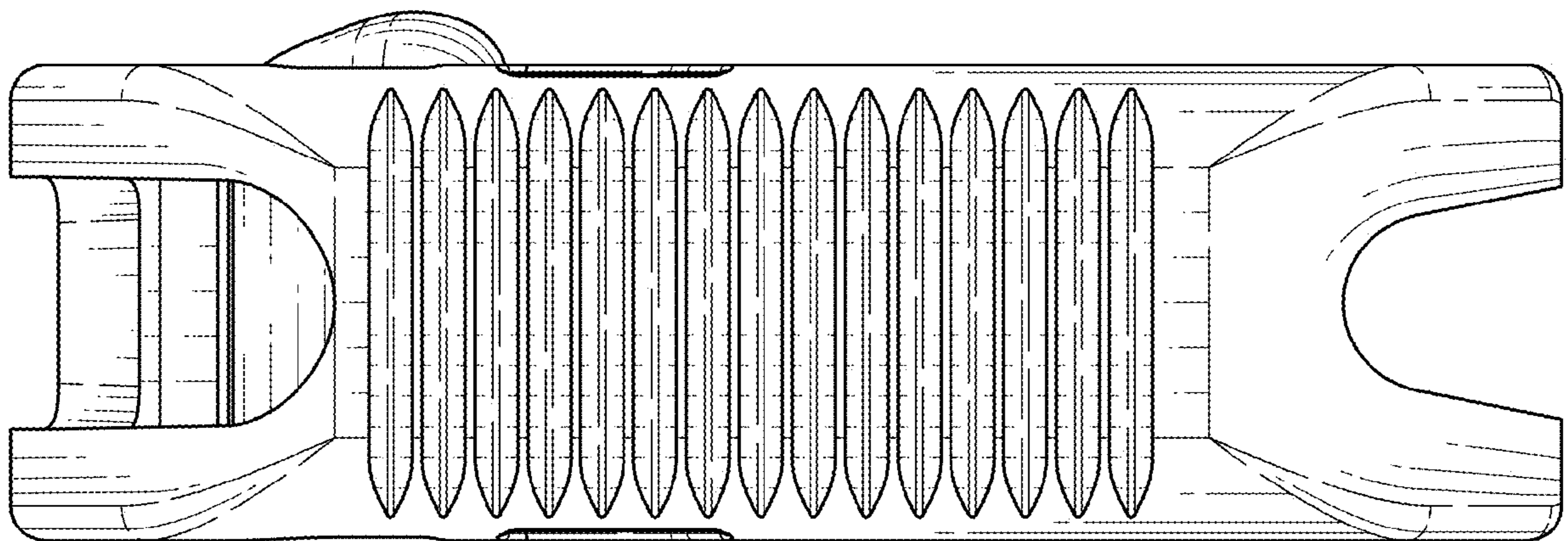


FIG. 7