



US00D884884S

(12) **United States Design Patent** (10) **Patent No.:** **US D884,884 S**
Eaton et al. (45) **Date of Patent:** **** May 19, 2020**

(54) **HOLDER FOR A CONTAINER OF LIQUID**

2009/044; B65H 2701/191; G16H 20/13;
B65D 47/18

(71) Applicant: **Eye Drop Imaging Technology, LLC,**
Fort Myers, FL (US)

See application file for complete search history.

(72) Inventors: **Alexander M. Eaton,** Fort Myers, FL
(US); **Ruixue Liu,** Fort Myers, FL (US)

(56) **References Cited**

(73) Assignee: **Eye Drop Imaging Technology, LLC,**
Fort Meyers, FL (US)

U.S. PATENT DOCUMENTS

(**) Term: **15 Years**

D290,673 S *	7/1987	Imatt	D7/619.1
D320,536 S *	10/1991	Silbernagel	D7/619.1
D392,865 S *	3/1998	King, Jr.	D8/354
D414,399 S *	9/1999	Nakamura	D8/356
D463,550 S *	9/2002	Sherman	D24/115
D512,879 S *	12/2005	Haakenson	D7/619.2
D567,618 S *	4/2008	Agronin	D8/71
D592,304 S *	5/2009	Kuehfuss	D24/128
D600,077 S *	9/2009	Barnes, Jr.	D7/620
D750,773 S *	3/2016	Eaton	D24/128
D751,702 S *	3/2016	Eaton	D24/128
D788,911 S *	6/2017	Deutsch	A61M 1/0086
			D24/128
D808,012 S *	1/2018	Eaton	D24/128
D808,636 S *	1/2018	Ma	D3/10
D809,655 S *	2/2018	Eaton	D24/128
D809,775 S *	2/2018	Ma	D3/10
D810,288 S *	2/2018	Eaton	D24/128

(21) Appl. No.: **29/660,263**

(22) Filed: **Aug. 20, 2018**

(51) **LOC (12) Cl.** **24-02**

(52) **U.S. Cl.**
USPC **D24/128**

(58) **Field of Classification Search**
USPC D6/21, 315, 319, 320, 323, 325, 512,
D6/524, 553, 681.1, 709; D7/619.1,
D7/619.2, 620, 621, 622, 691, 398, 387,
D7/392, 392.1, 412, 313; D8/10, 70.1,
D8/71, 101, 339, 349, 354, 356, 360.1,
D8/376, 377, 378, 380, 381, 382, 383,
D8/385; D9/414, 415, 434, 436, 438,
D9/443, 455, 456, 501, 518, 530, 722;
D12/7, 9; D13/133, 153; D15/72, 78;
D24/127-131, 112-114, 133, 186, 194,
D24/199, 146, 231

CPC A61J 9/0638; A61J 9/0684; A61J 9/063;
A61M 25/02; A61M 25/0612; A61M
25/065; A61M 25/00; A61M 39/00;
A61M 27/00; A61F 9/0026; A61F
9/0006; E04F 11/1804; E04F 11/1808;
F16L 23/10; A47F 13/085; A47F

(Continued)

Primary Examiner — Catherine S Posthauer
(74) *Attorney, Agent, or Firm* — Yakov Sidorin; Victoria
C. Cook; Quarles & Brady LLP

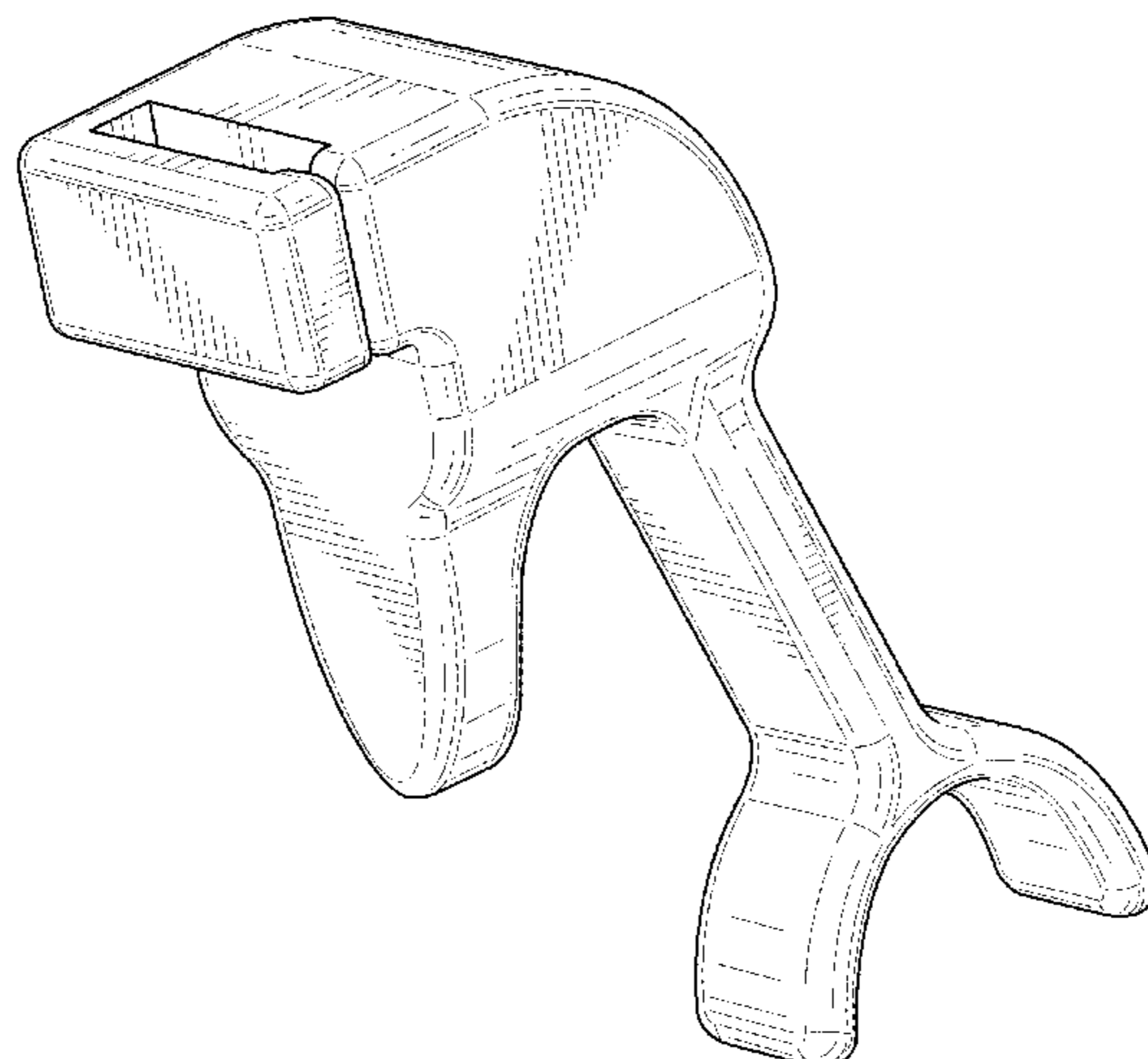
(57) **CLAIM**

The ornamental design for a holder for a container of liquid,
as shown and described.

DESCRIPTION

FIG. 1 is a perspective view of a holder for a container of
liquid, showing our new design;
FIG. 2 is a first elevational view thereof;
FIG. 3 is a second elevational view thereof;
FIG. 4 is a third elevational view thereof;
FIG. 5 is a fourth elevational view thereof;
FIG. 6 is a top plan view thereof; and,
FIG. 7 is a bottom plan view thereof.

(Continued)



The broken lines are shown for the purpose of illustrating both parts of the article that form no part of the claims and the boundaries of the claim.

1 Claim, 7 Drawing Sheets

(56) **References Cited**

U.S. PATENT DOCUMENTS

D824,024	S *	7/2018	Eaton	D24/128
D824,025	S *	7/2018	Eaton	D24/128
D824,026	S *	7/2018	Eaton	D24/128
D826,398	S *	8/2018	Eaton	D24/128
D831,437	S *	10/2018	Boyden	D7/620
D838,365	S *	1/2019	Eaton	D24/128
D850,614	S *	6/2019	Eaton	D24/128
D873,625	S *	1/2020	Chavana, Jr.	D7/620
2005/0101921	A1 *	5/2005	Sherman	A61F 9/0026 604/302
2019/0162338	A1 *	5/2019	Karlsen	F16L 21/065
2019/0183676	A1 *	6/2019	Eaton	B65D 47/18

* cited by examiner

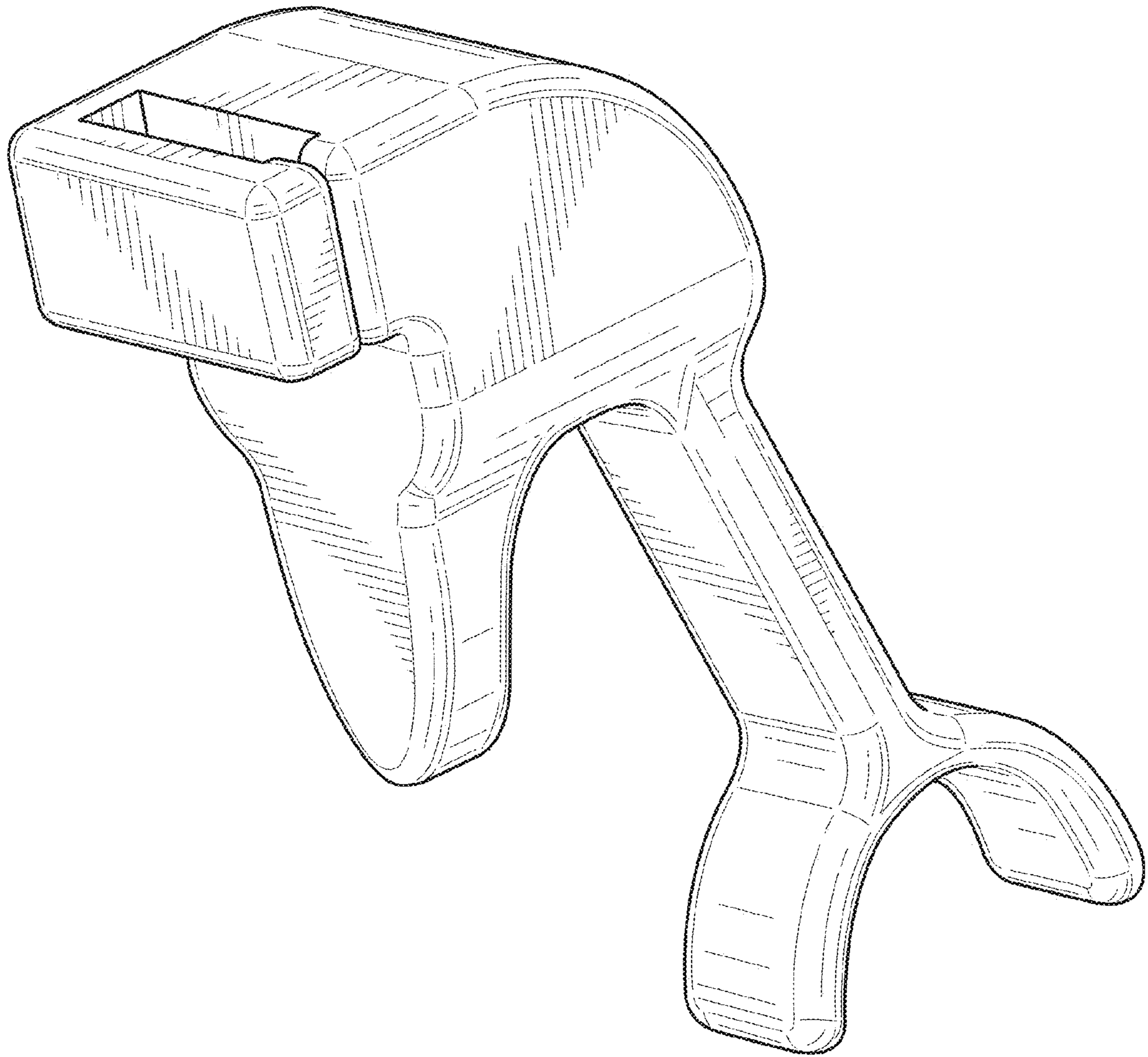


FIG. 1

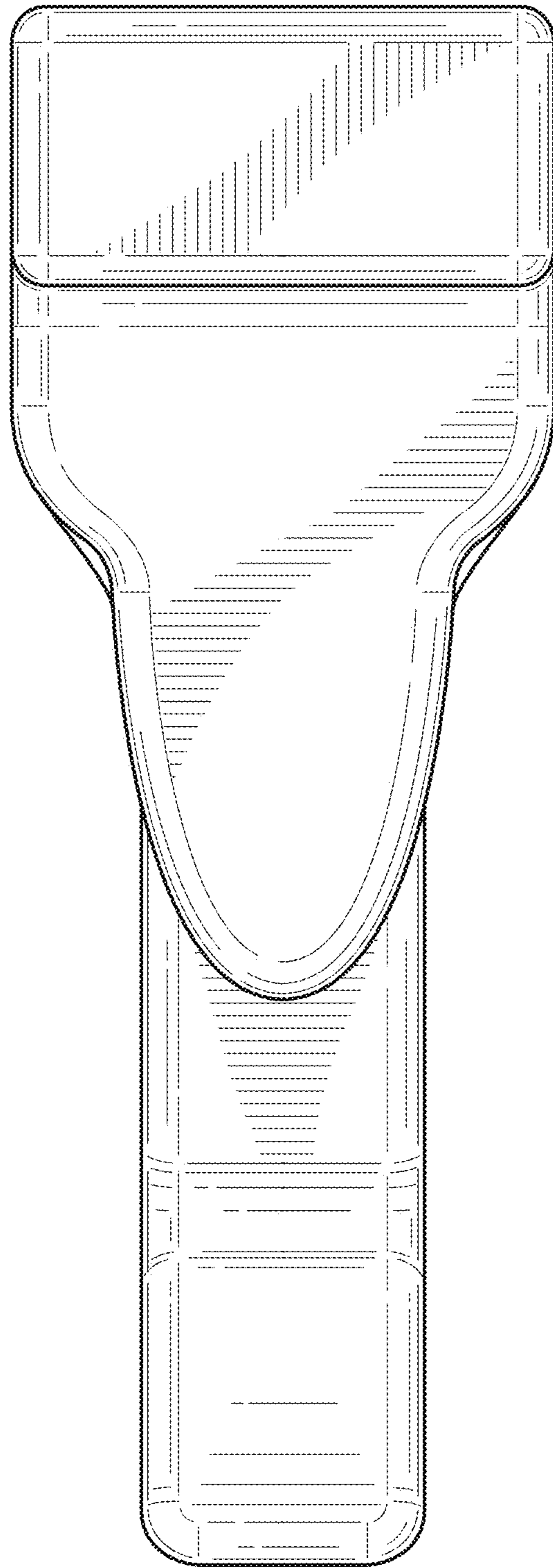


FIG. 2

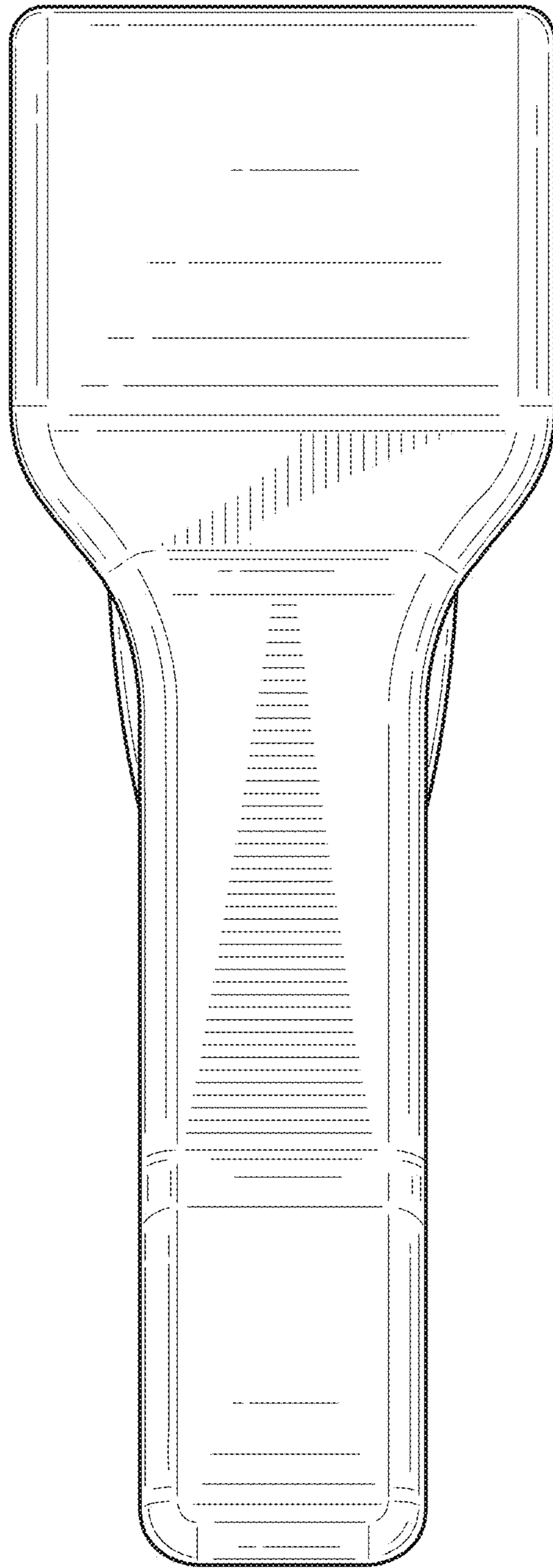


FIG. 3

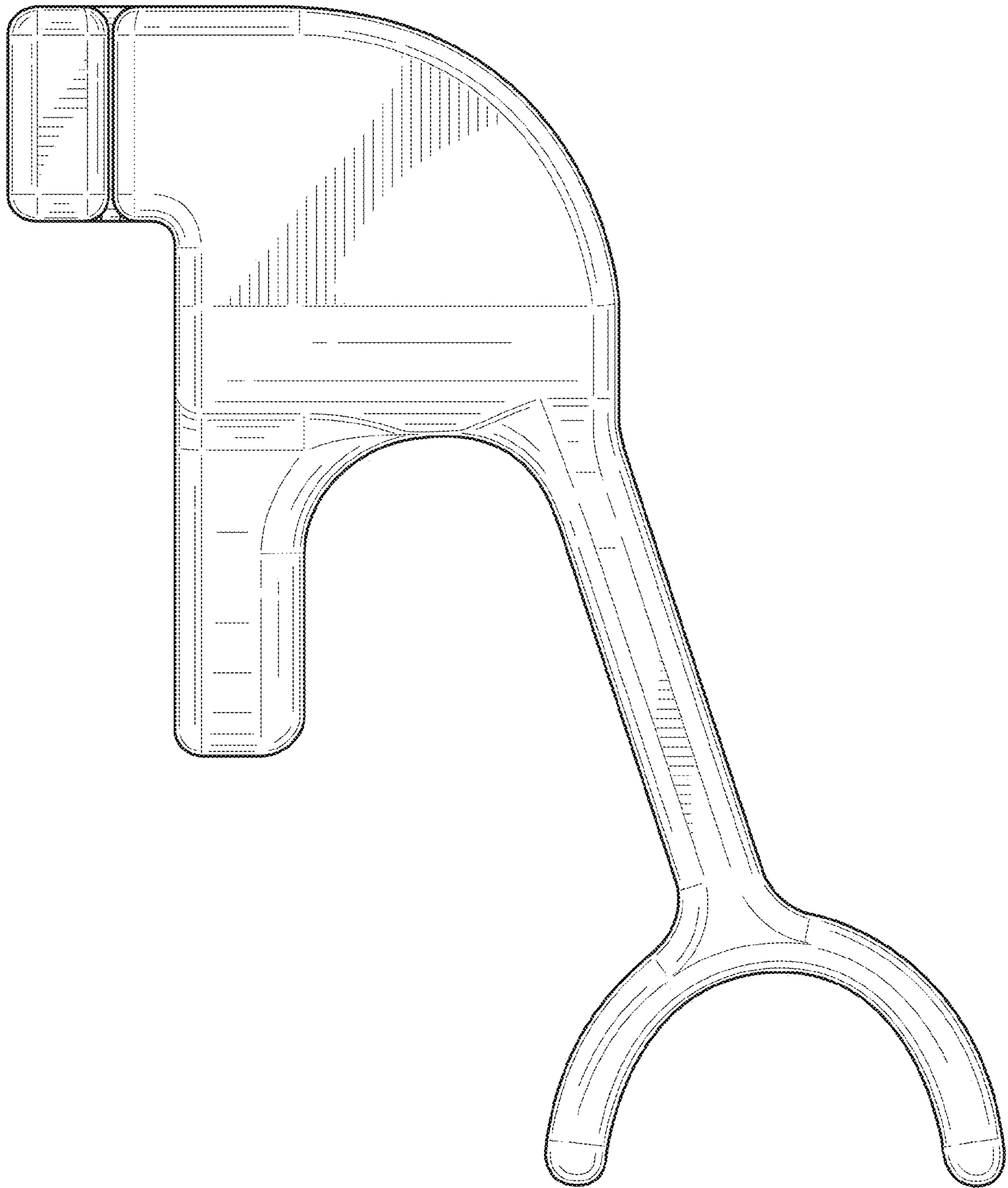


FIG. 4

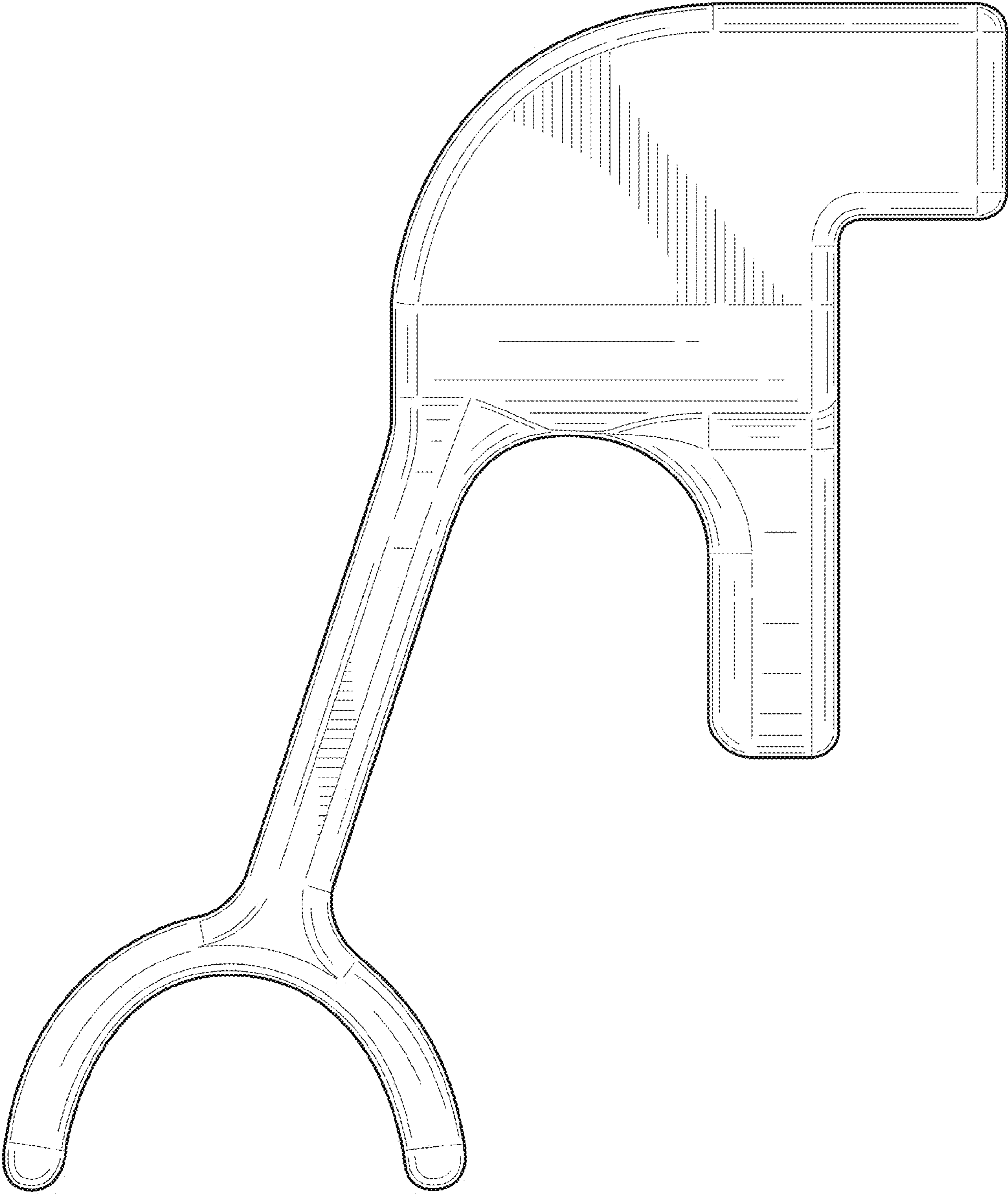


FIG. 5

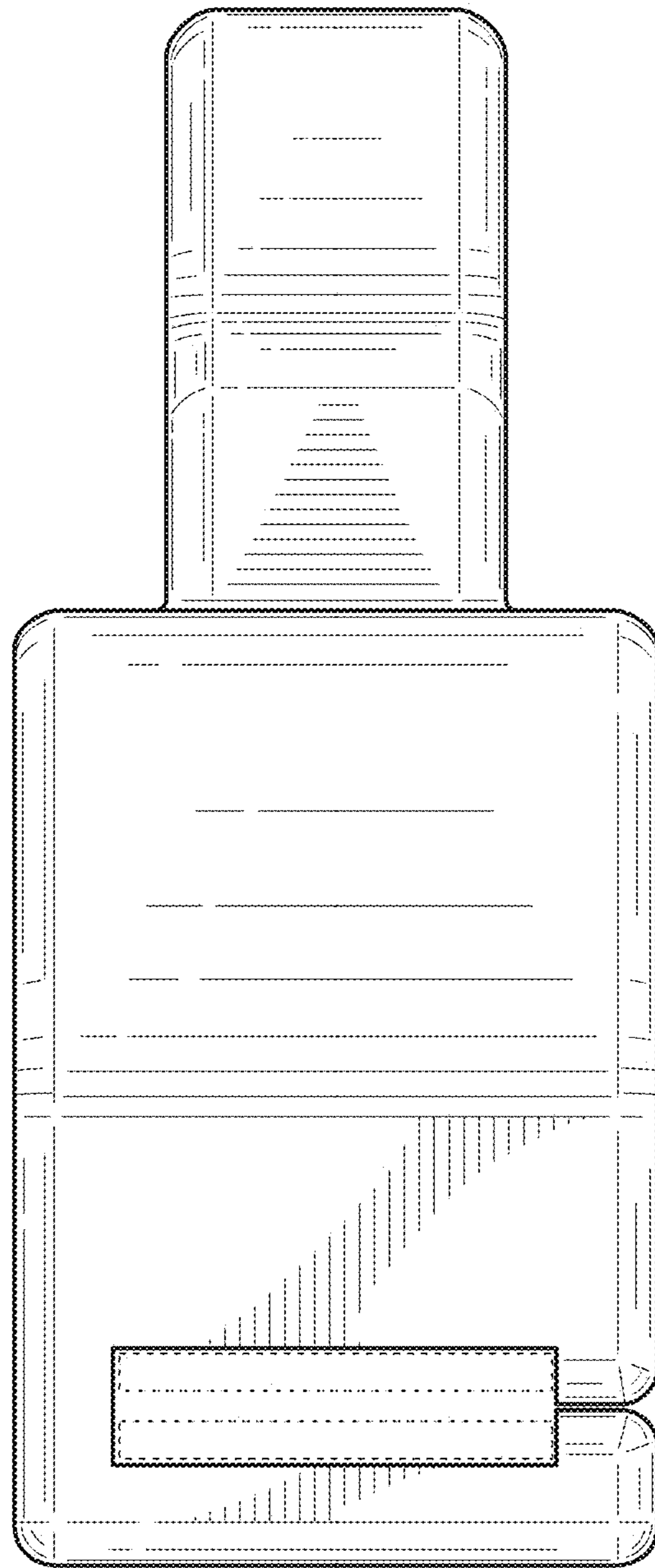


FIG. 6

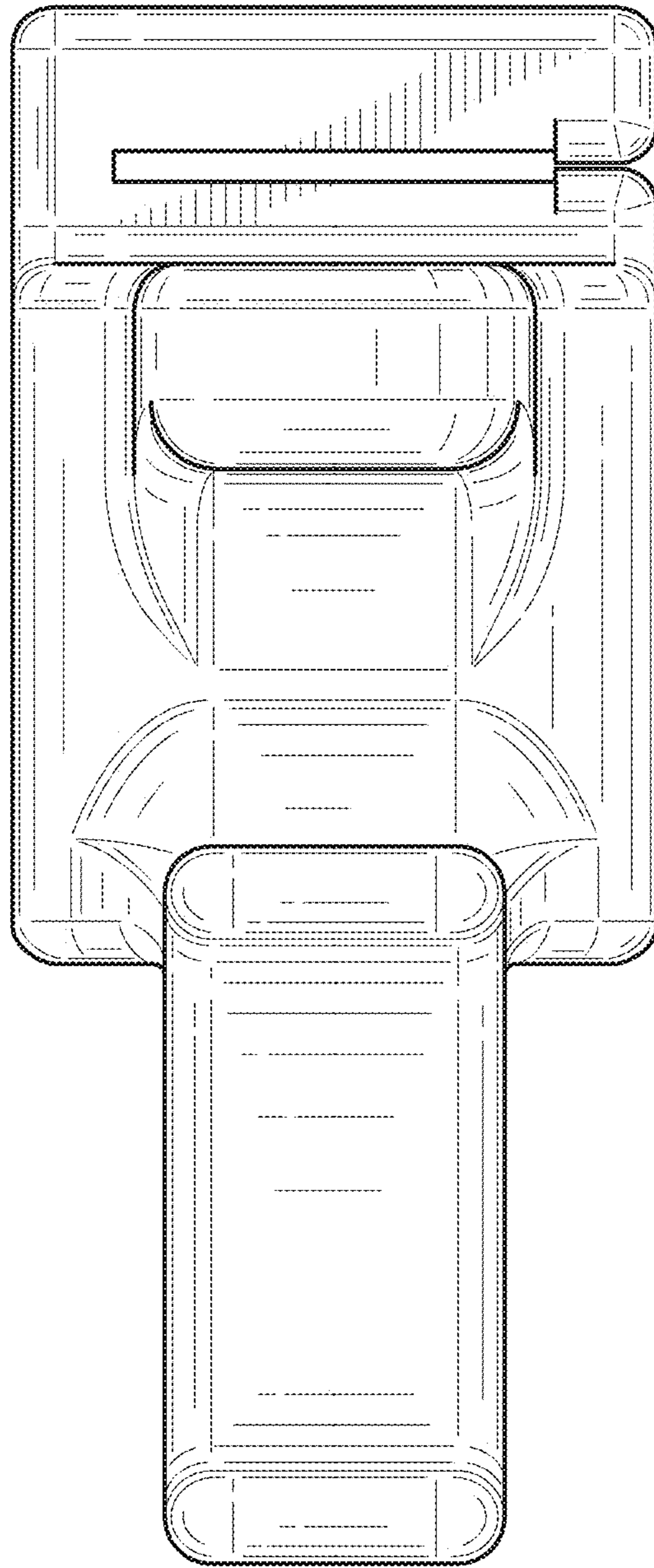


FIG. 7