



US00D884883S

(12) **United States Design Patent**  
**Koehler**

(10) **Patent No.:** **US D884,883 S**

(45) **Date of Patent:** **\*\* May 19, 2020**

- (54) **WHEELED STAND**
- (71) Applicant: **Pedigo Products, Inc.**, Vancouver, WA (US)
- (72) Inventor: **Randal W. Koehler**, Woodland, WA (US)
- (73) Assignee: **PEDIGO PRODUCTS, INC.**, Vancouver, WA (US)

- 8,313,066 B2 \* 11/2012 Hampton ..... A61M 5/1415 16/30
- 8,313,067 B2 \* 11/2012 Knieriem ..... F16M 11/42 248/129
- 8,684,375 B2 \* 4/2014 Fink ..... B60B 33/0026 248/129
- D728,096 S \* 4/2015 Yamamoto ..... D24/128
- D734,541 S \* 7/2015 Petruccelli ..... D24/128
- 10,060,571 B2 \* 8/2018 Koehler ..... A61M 5/1413
- 10,295,113 B1 \* 5/2019 Fox ..... B66F 5/00
- 10,478,548 B2 \* 11/2019 Blankenship ..... A61M 5/1415

(\*\*) Term: **15 Years**

(21) Appl. No.: **29/640,812**

(22) Filed: **Mar. 16, 2018**

(51) **LOC (12) Cl.** ..... **24-02**

(52) **U.S. Cl.**  
USPC ..... **D24/128**

(58) **Field of Classification Search**  
USPC ..... D24/127-131, 112, 186; 248/121, 125.1, 248/124.1, 129  
CPC ..... A61M 5/1415; F16M 11/42  
See application file for complete search history.

(56) **References Cited**

**U.S. PATENT DOCUMENTS**

- 5,564,669 A \* 10/1996 Wu ..... A47B 81/065 248/346.01
- 7,624,953 B2 \* 12/2009 Silverman ..... A61M 5/1415 248/125.1
- 7,713,219 B2 \* 5/2010 Helgeson ..... A61H 9/005 248/129
- D628,691 S \* 12/2010 Sung ..... D24/128
- 7,896,298 B2 \* 3/2011 Meyers ..... A61M 5/1415 248/124.1

\* cited by examiner

*Primary Examiner* — David G Muller

(74) *Attorney, Agent, or Firm* — Davis Wright Tremaine LLP; Heather M. Colburn

(57) **CLAIM**

The ornamental design for a wheeled stand, as shown and described.

**DESCRIPTION**

FIG. 1 is a top front perspective view of a wheeled stand showing my new design.

FIG. 2 is a bottom rear perspective view thereof.

FIG. 3 is a front elevation view thereof.

FIG. 4 is a left side elevation view thereof.

FIG. 5 is a right side elevation view thereof.

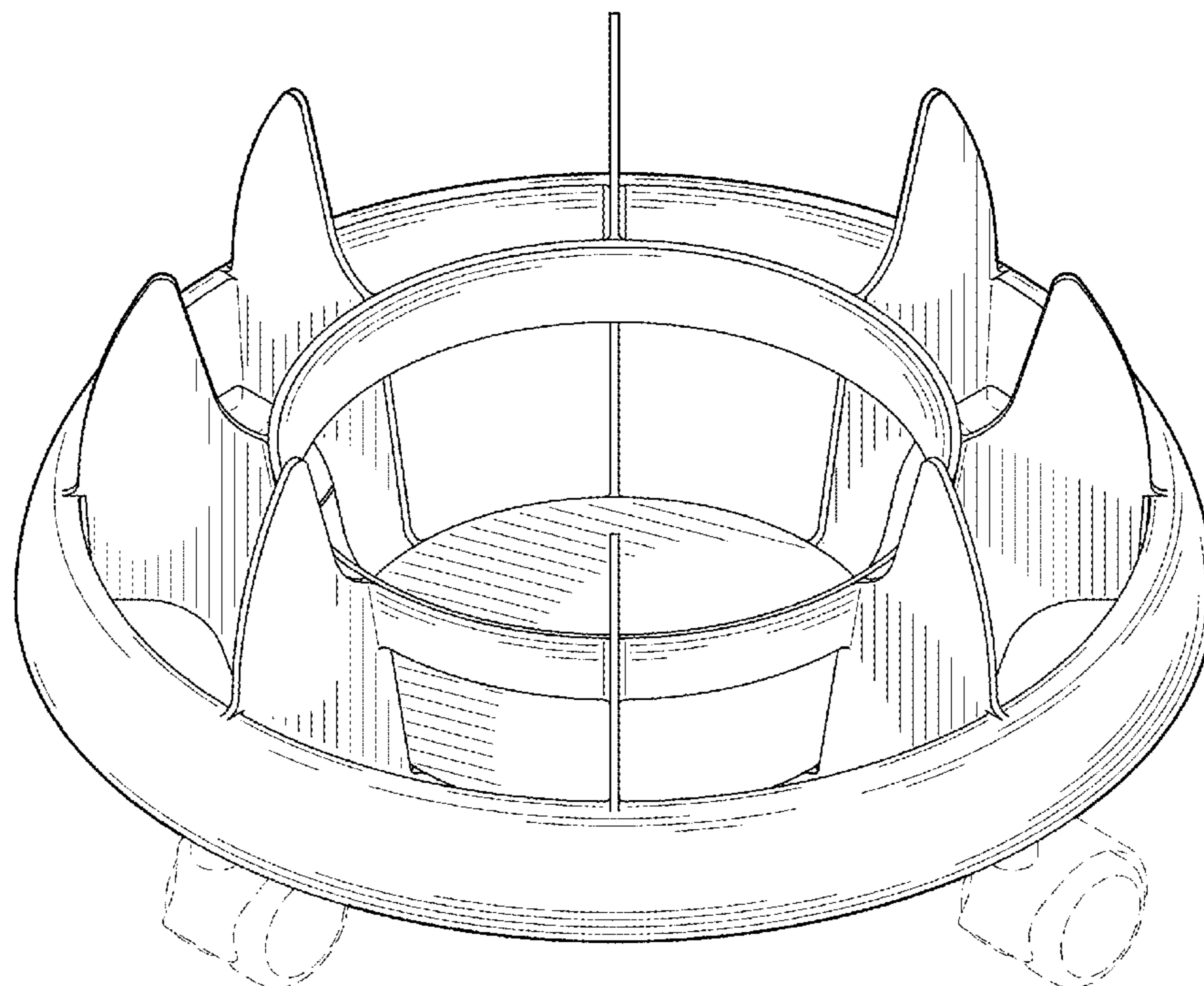
FIG. 6 is a rear elevation view thereof.

FIG. 7 is a top plan view thereof; and,

FIG. 8 is a bottom plan view thereof.

The broken lines represent portions of the wheeled stand that form no part of the claim.

**1 Claim, 6 Drawing Sheets**



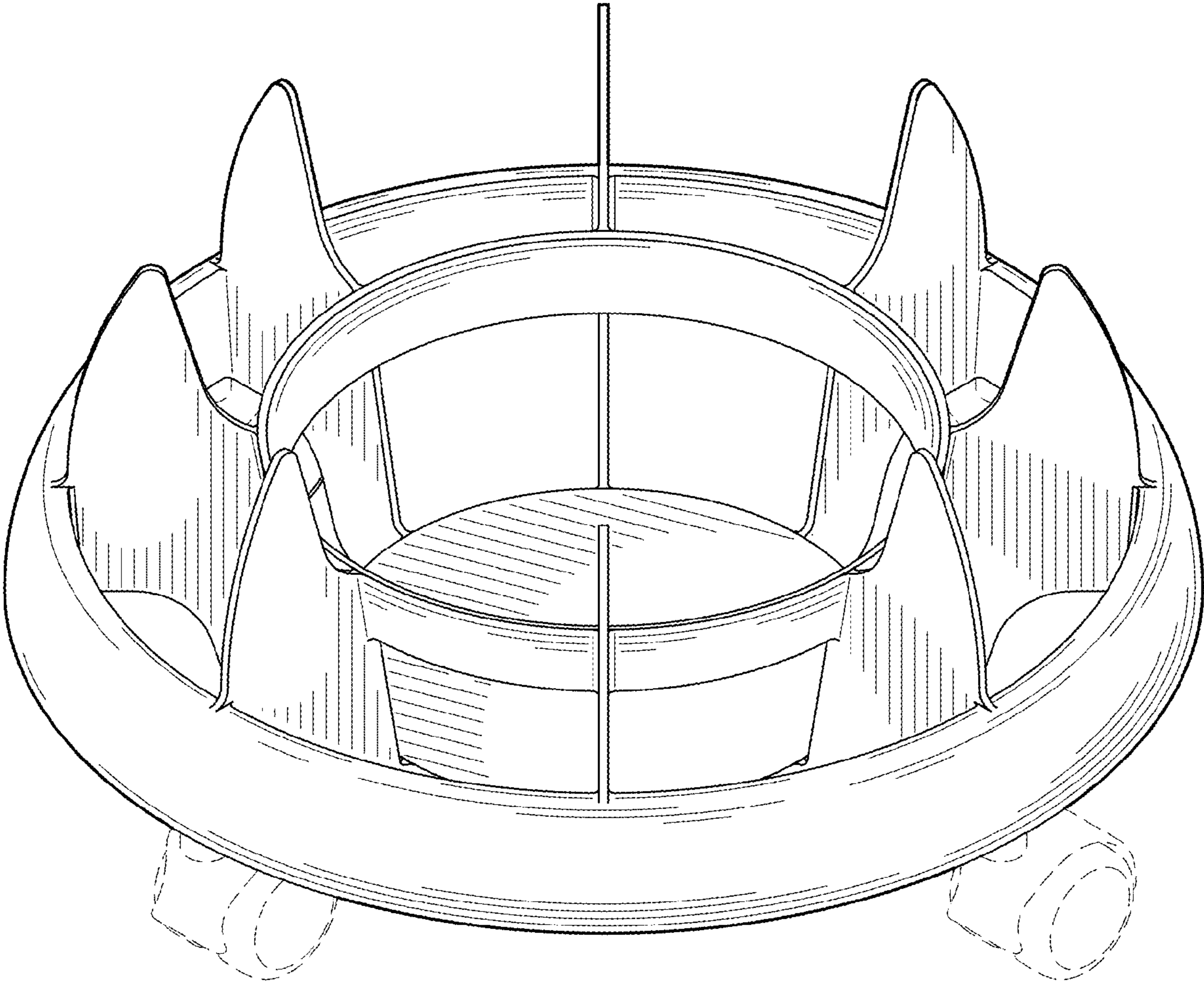


FIG. 1

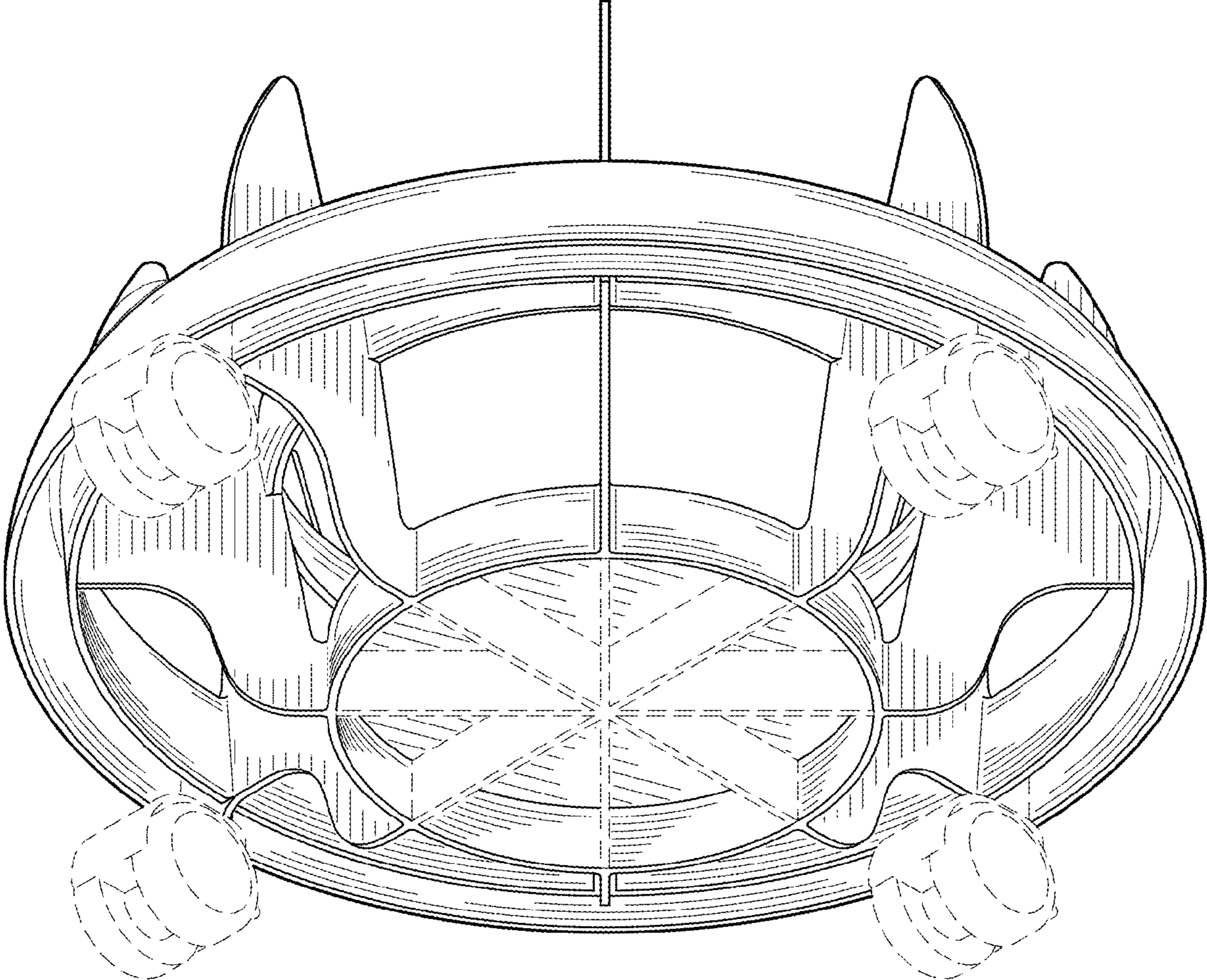


FIG. 2

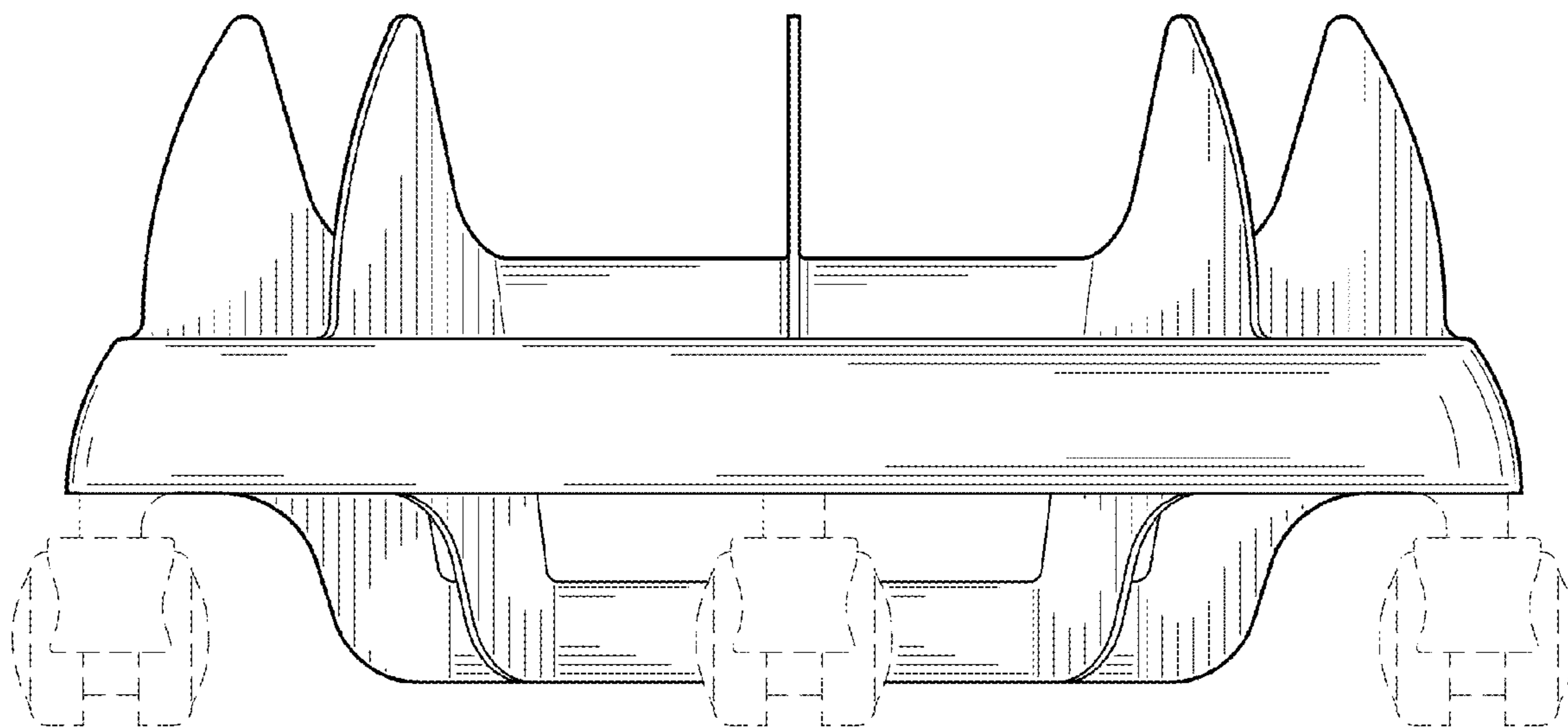


FIG. 3

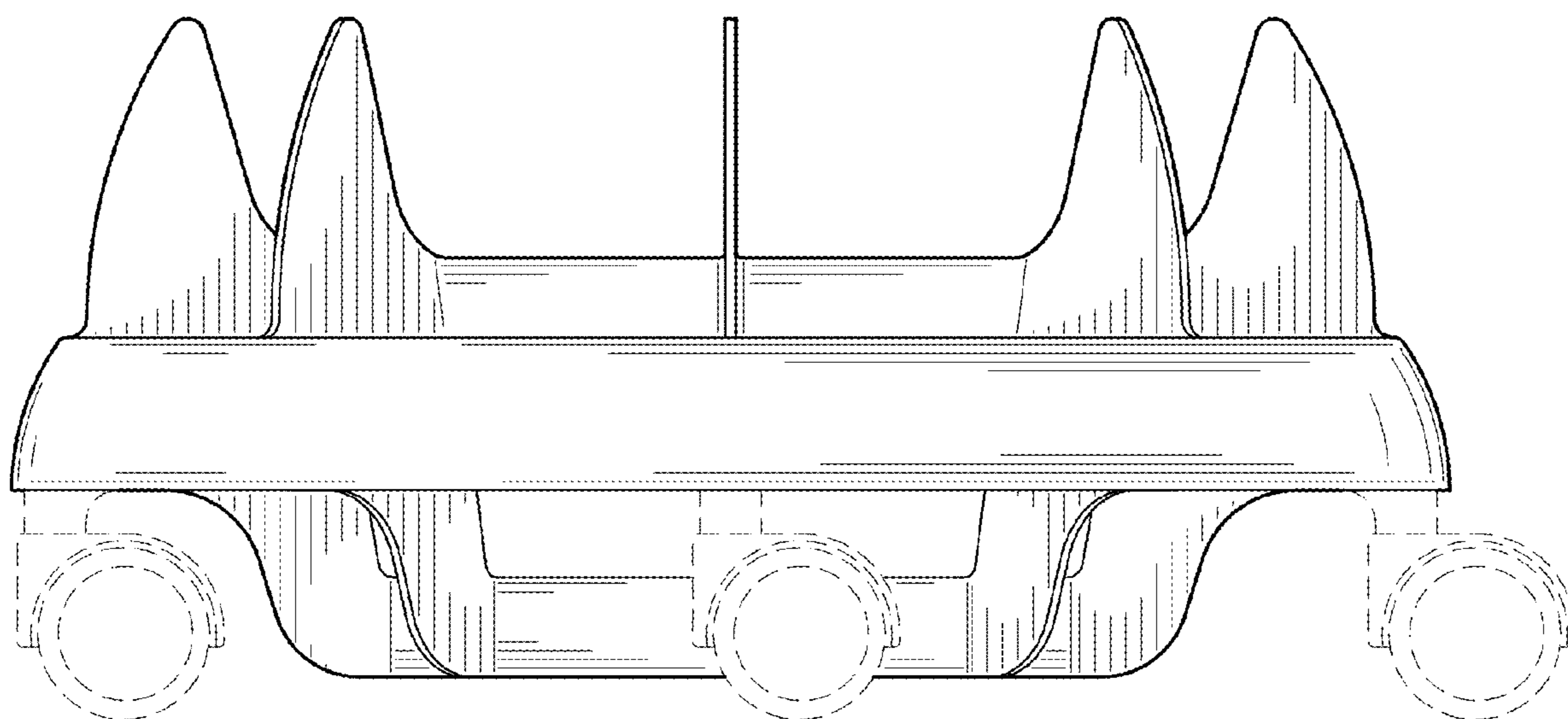


FIG. 4

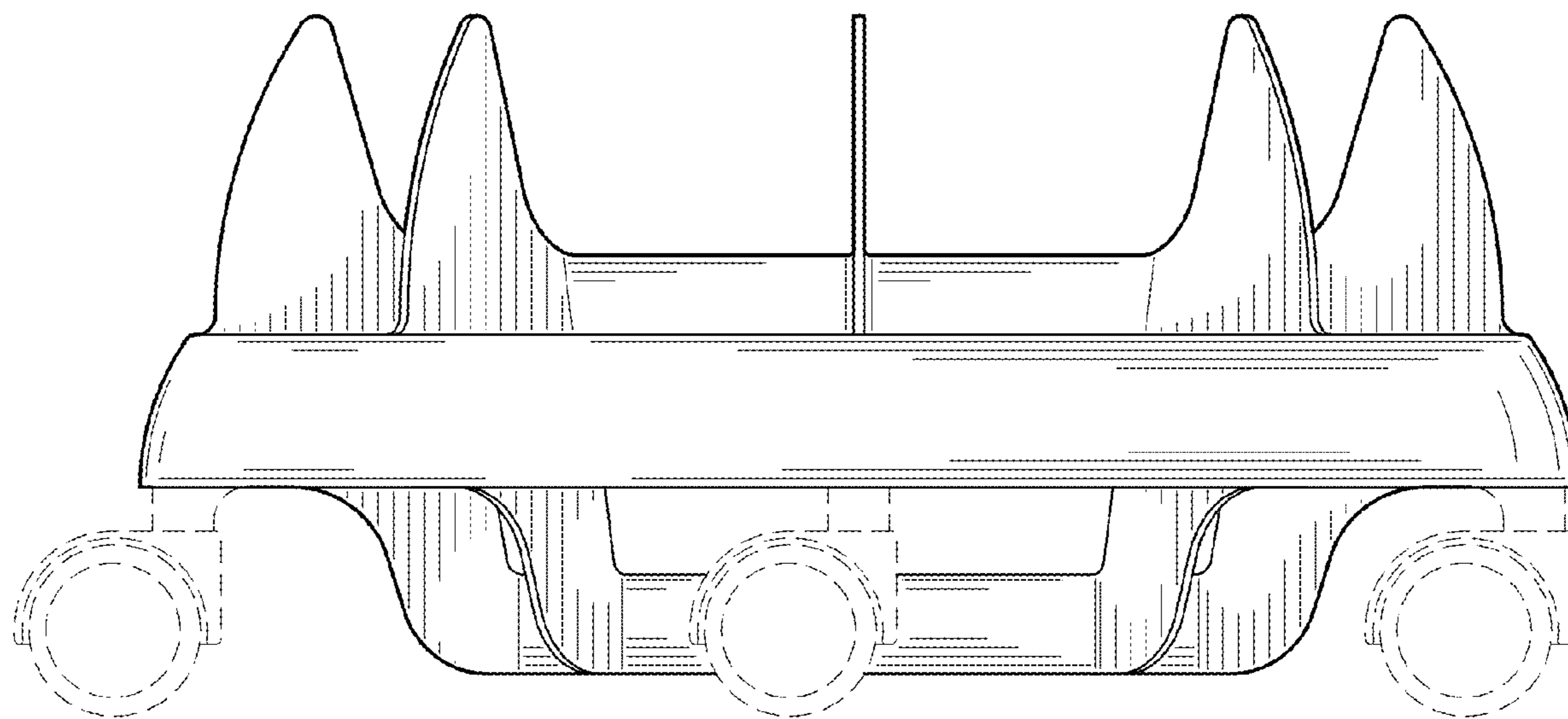


FIG. 5

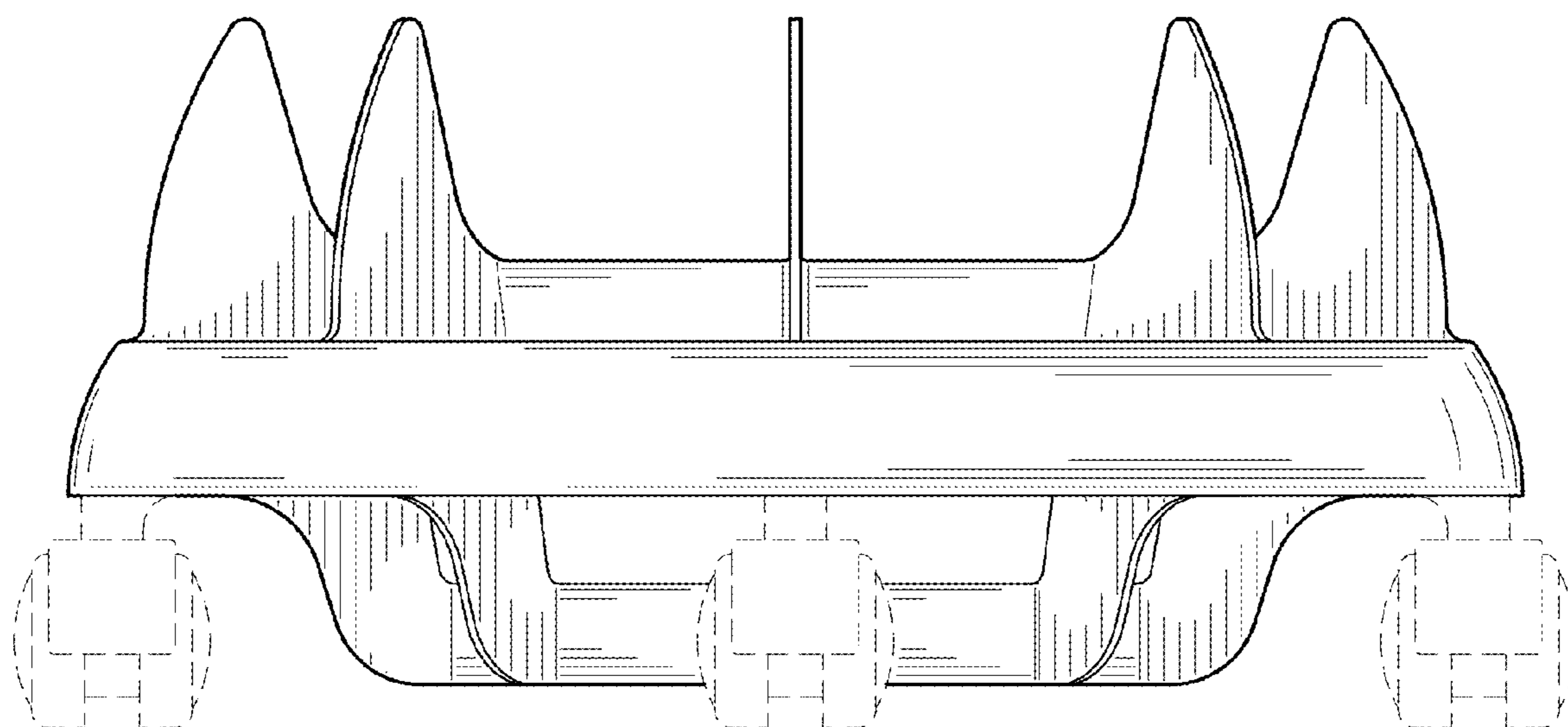


FIG. 6

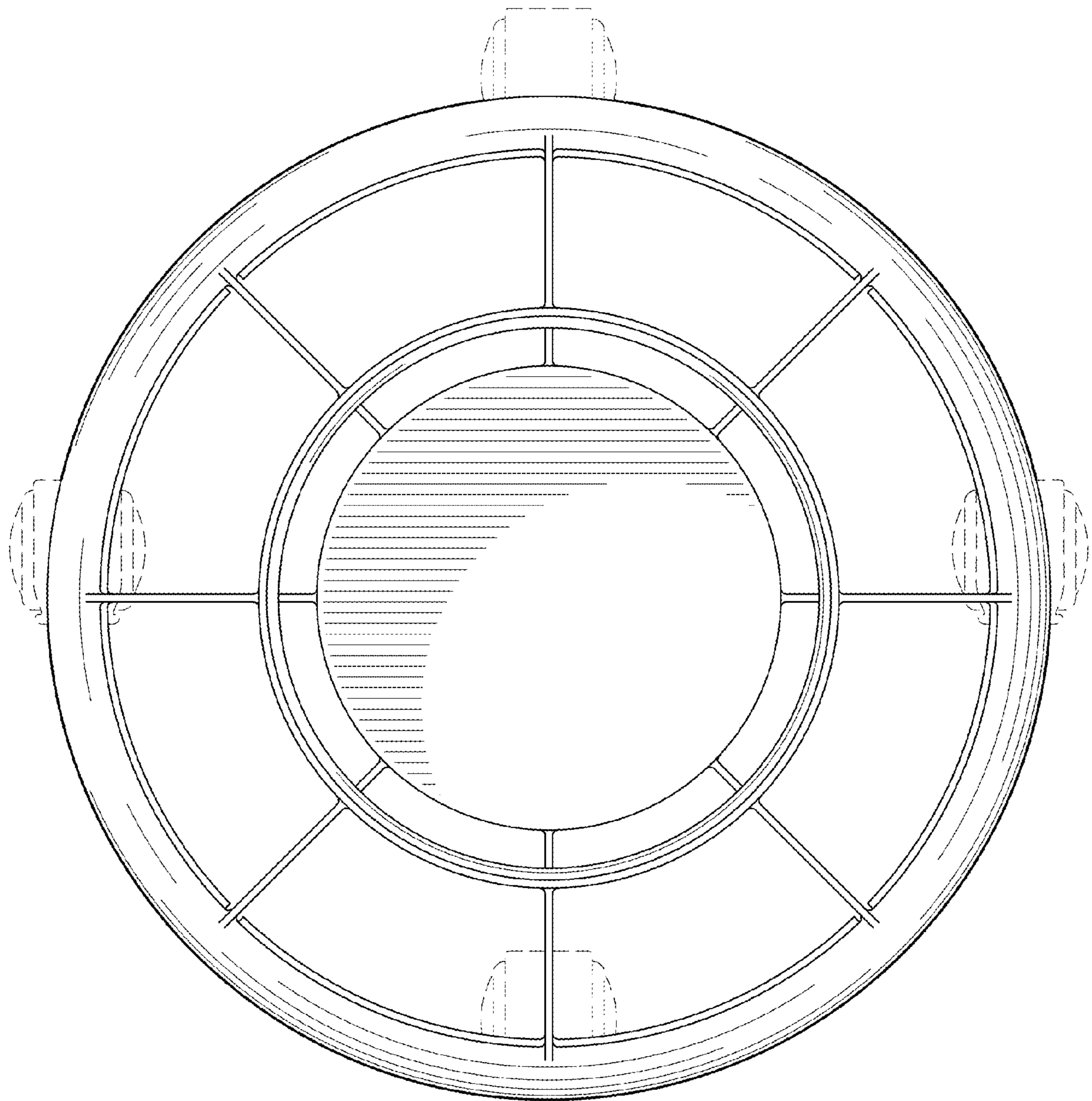


FIG. 7

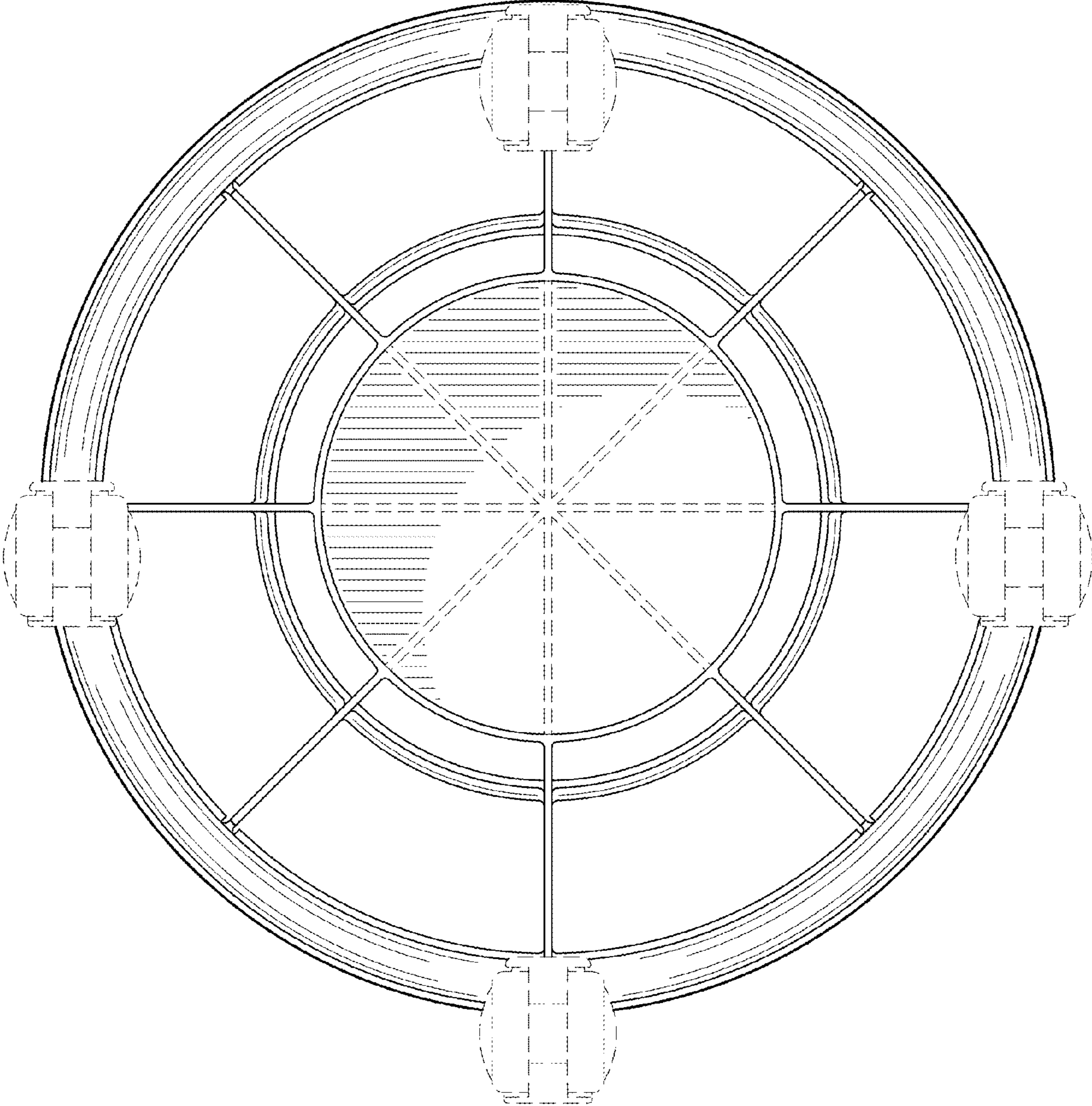


FIG. 8