



US00D884882S

(12) **United States Design Patent**
Letton

(10) **Patent No.:** **US D884,882 S**

(45) **Date of Patent:** **** May 19, 2020**

- (54) **HUMIDIFICATION CHAMBER SEAL**
- (71) Applicant: **Fisher & Paykel Healthcare Limited**,
Auckland (NZ)
- (72) Inventor: **Andrew Martin Letton**, Auckland
(NZ)
- (73) Assignee: **Fisher & Paykel Healthcare Limited**,
Auckland (NZ)

7,975,688 B1 * 7/2011 Truitt A61M 16/0066
128/200.24
D643,114 S * 8/2011 Virr D24/110
D644,320 S * 8/2011 Virr D24/110
8,092,414 B2 * 1/2012 Schnell A61M 1/3639
D694,882 S * 12/2013 Stark D24/131
D699,843 S * 2/2014 Stark D24/131
D794,783 S * 8/2017 Waimberk D24/131
D804,664 S * 12/2017 Waimberk D24/131
10,004,871 B2 * 6/2018 Kat A61M 16/109

* cited by examiner

(**) Term: **15 Years**

(21) Appl. No.: **29/670,348**

(22) Filed: **Nov. 15, 2018**

Primary Examiner — David G Muller

(74) *Attorney, Agent, or Firm* — Knobbe, Martens, Olson
& Bear, LLP

Related U.S. Application Data

(63) Continuation of application No. 29/624,513, filed on
Nov. 1, 2017, now Pat. No. Des. 838,364.

(51) **LOC (12) Cl.** **24-02**

(52) **U.S. Cl.**
USPC **D24/127**

(58) **Field of Classification Search**
USPC D24/127–131, 110, 110.5, 186;
128/200.24, 207.14, 207.15, 203.12
CPC . A61M 16/16; A61M 16/0066; A61M 16/109
See application file for complete search history.

(56) **References Cited**

U.S. PATENT DOCUMENTS

4,369,777 A * 1/1983 Lwoff A61F 7/00
128/200.16
D485,906 S * 1/2004 Danssaert D24/131
7,617,823 B2 * 11/2009 DiMatteo A61M 16/0066
128/204.18
7,722,016 B2 * 5/2010 Bradley A61M 16/167
261/70

(57) **CLAIM**

The ornamental design for a humidification chamber seal, as
shown and described.

DESCRIPTION

FIG. 1 shows a bottom, front, and side perspective view of
a humidification chamber seal embodying our design, with
portions shown in dashed lines and not forming part of the
claimed design;

FIG. 2 shows a top, front, and side perspective view thereof;

FIG. 3 shows a bottom view thereof;

FIG. 4 shows a top view thereof;

FIG. 5 shows a front view thereof;

FIG. 6 shows a rear view thereof;

FIG. 7 shows a side view thereof;

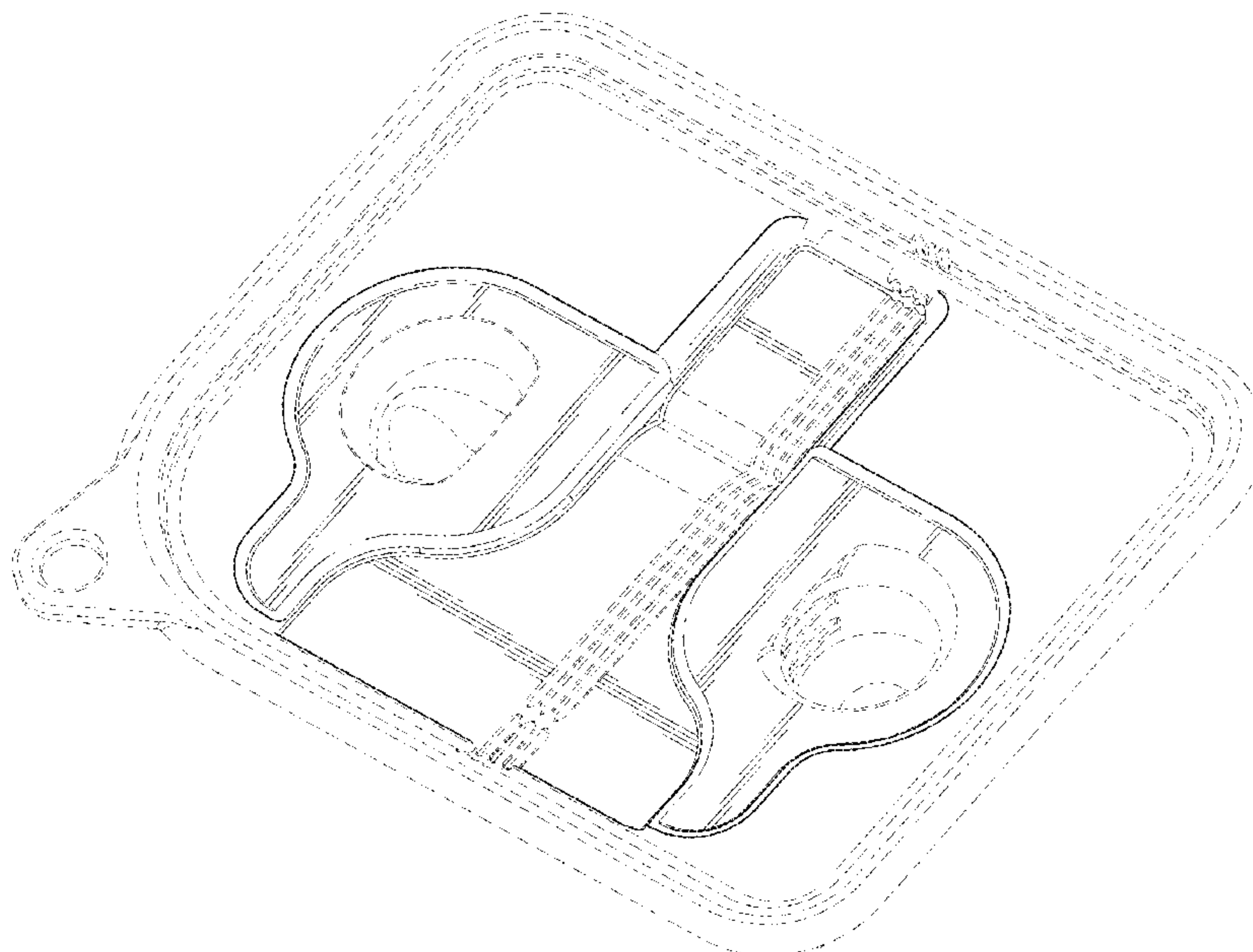
FIG. 8 shows another side view thereof;

FIG. 9 is a cross-sectional view thereof taken along the 9-9
line of FIG. 3; and,

FIG. 10 is a cross-sectional view thereof taken along the
10-10 line of FIG. 3.

Broken lines are used to illustrate portions of the humidifi-
cation chamber seal that form no part of the claimed design.

1 Claim, 7 Drawing Sheets



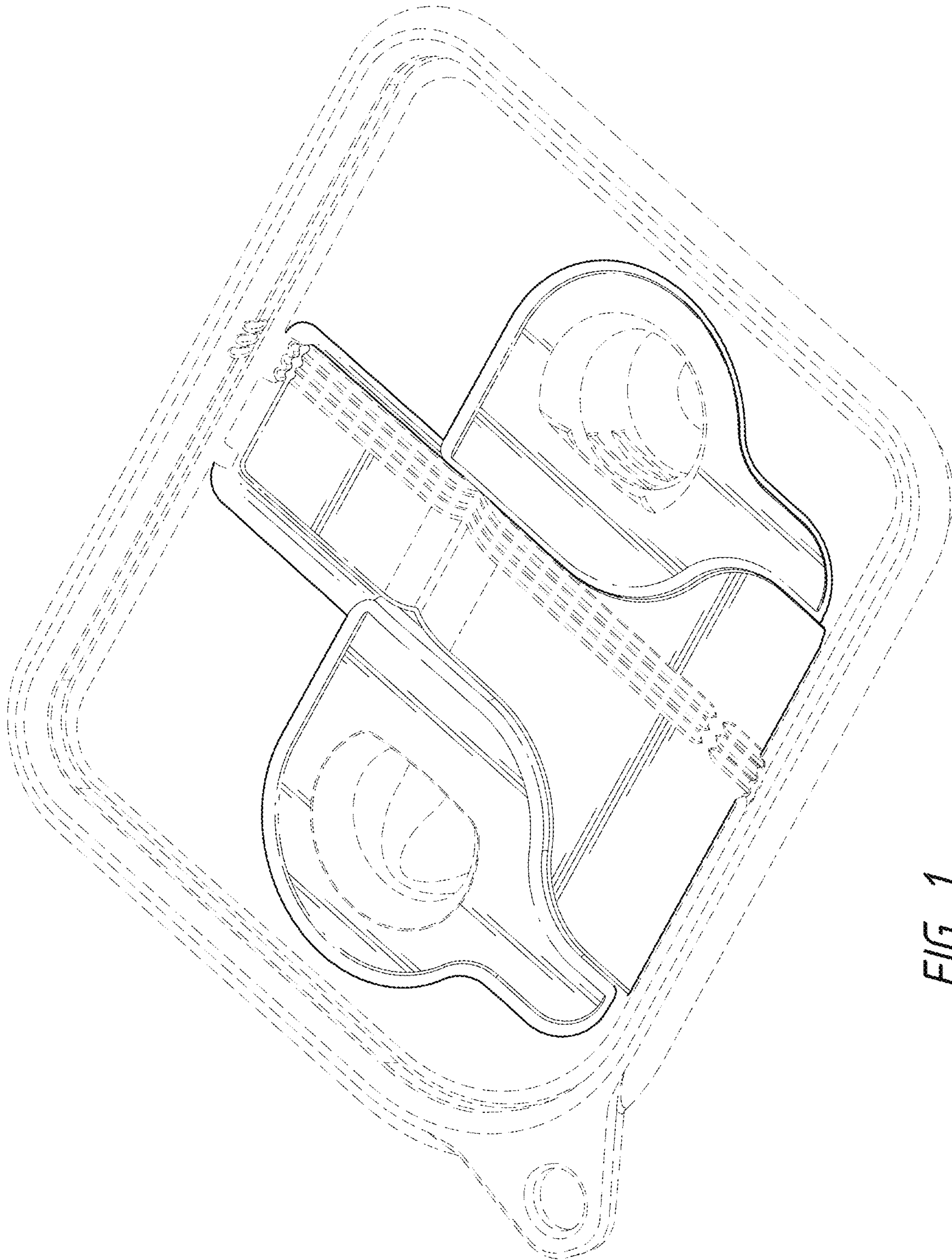


FIG. 1

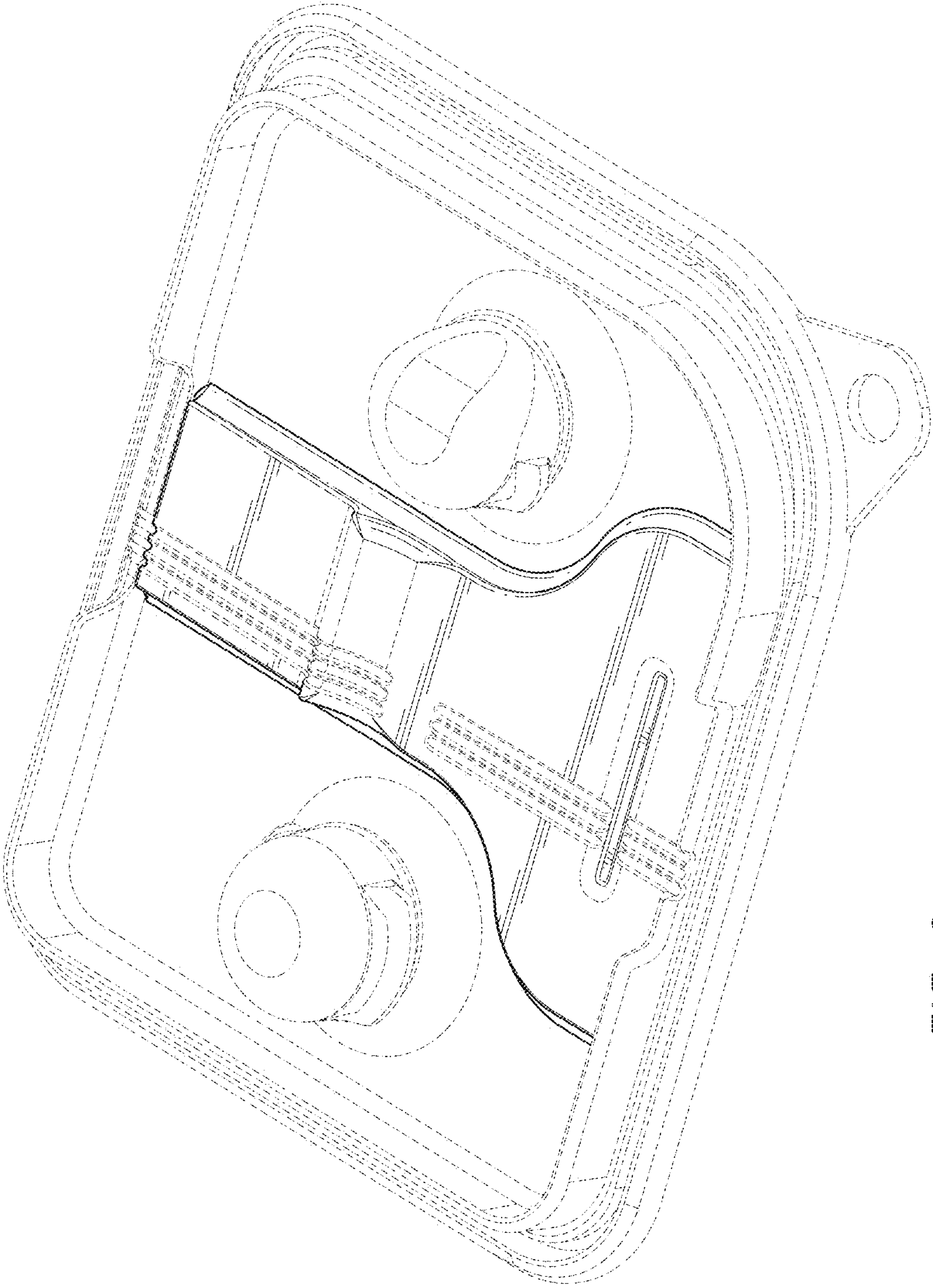
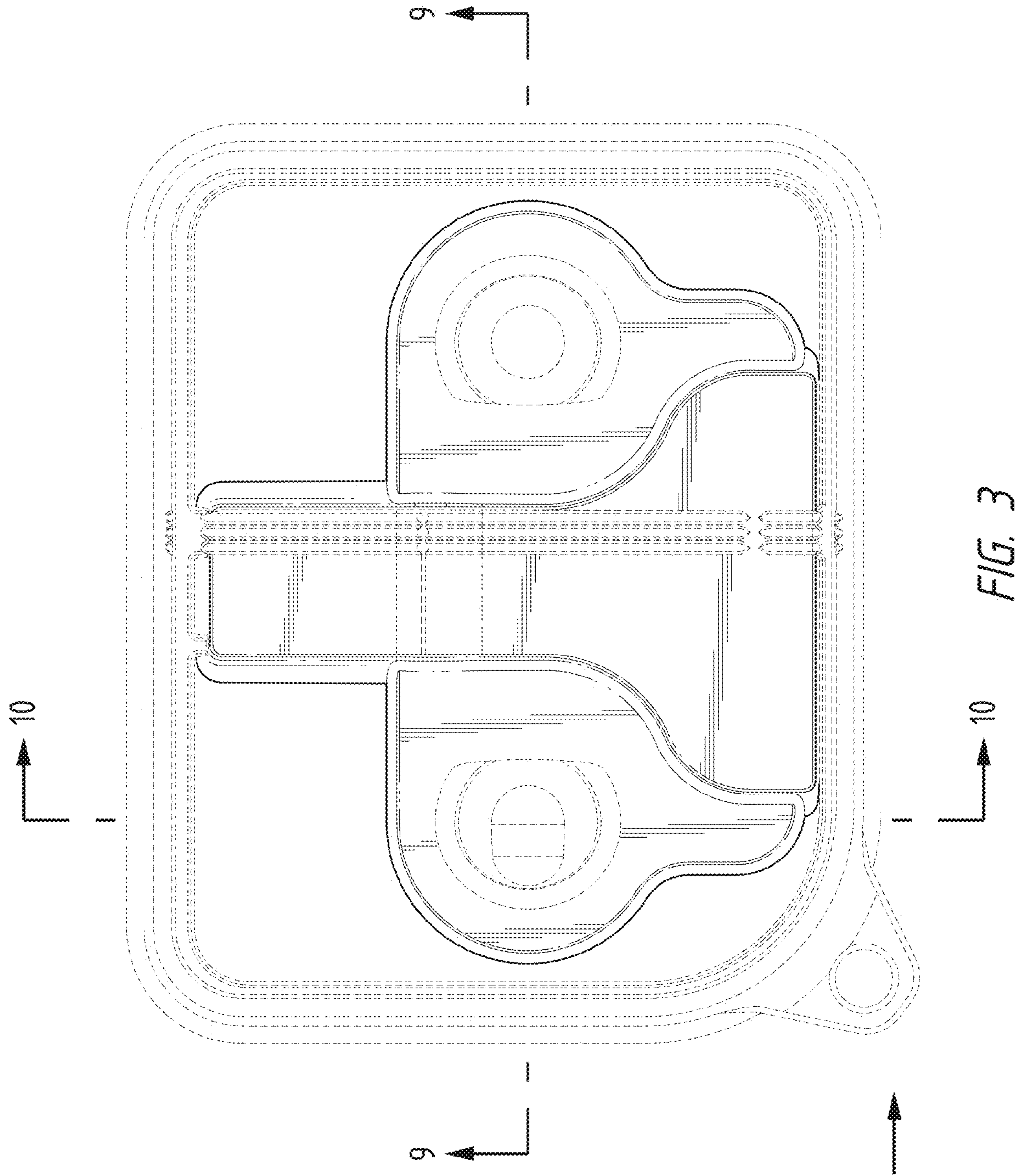


FIG. 2



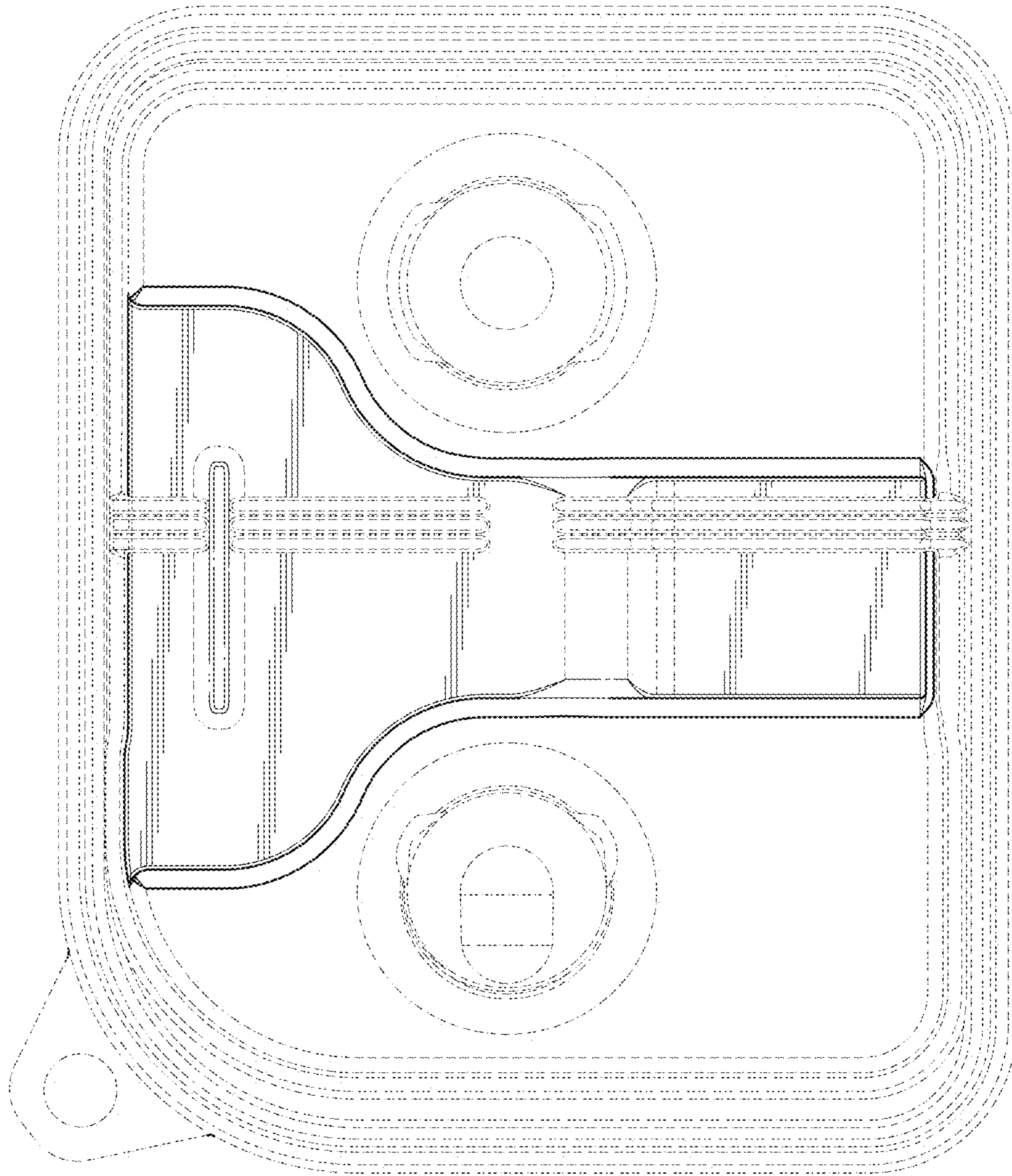


FIG. 4

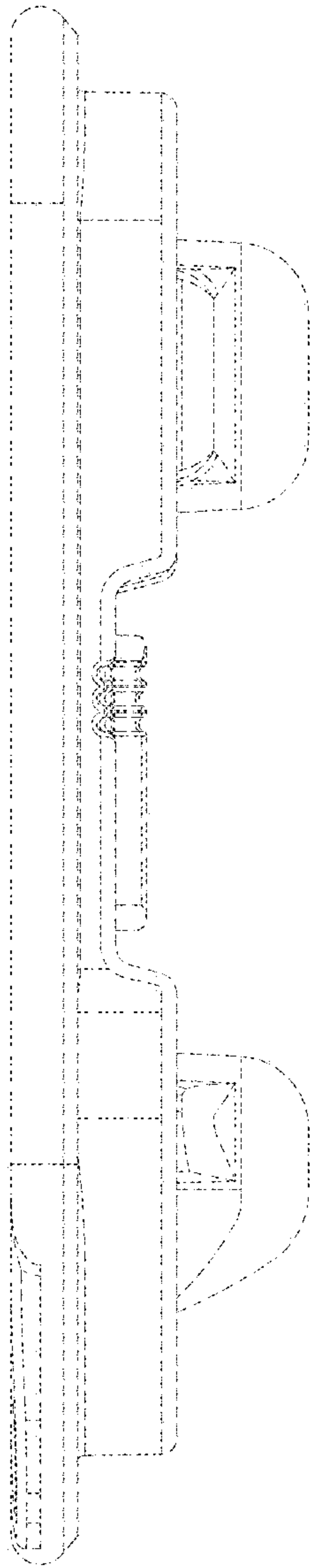


FIG. 5

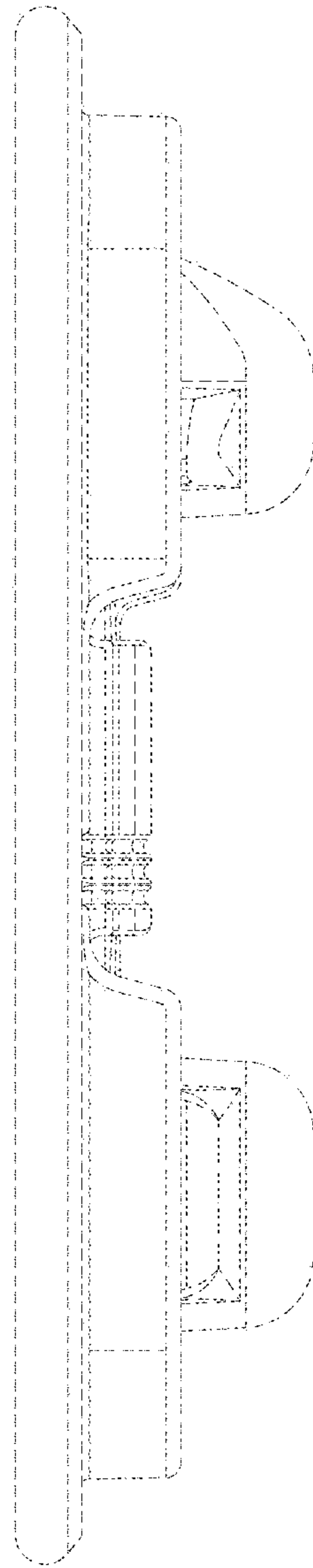


FIG. 6

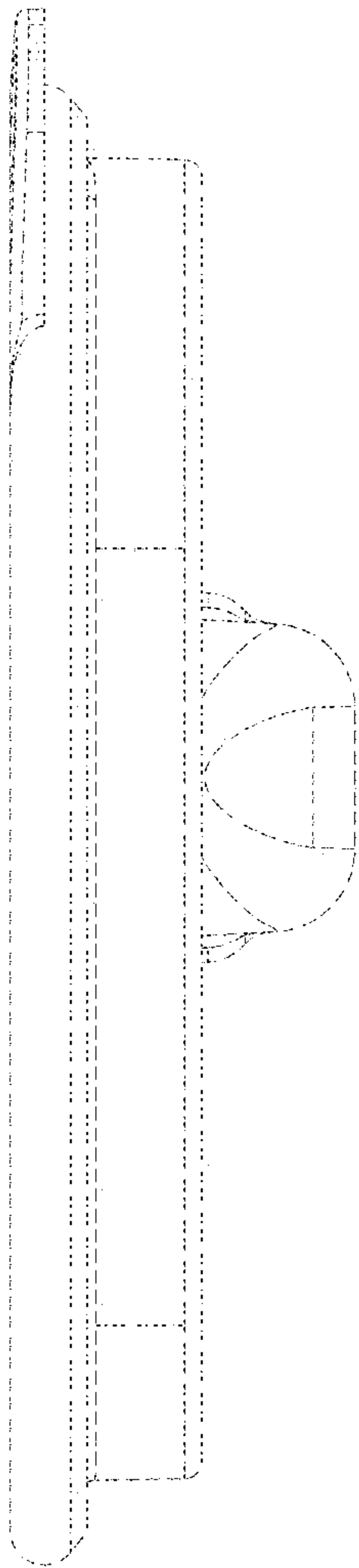


FIG. 7

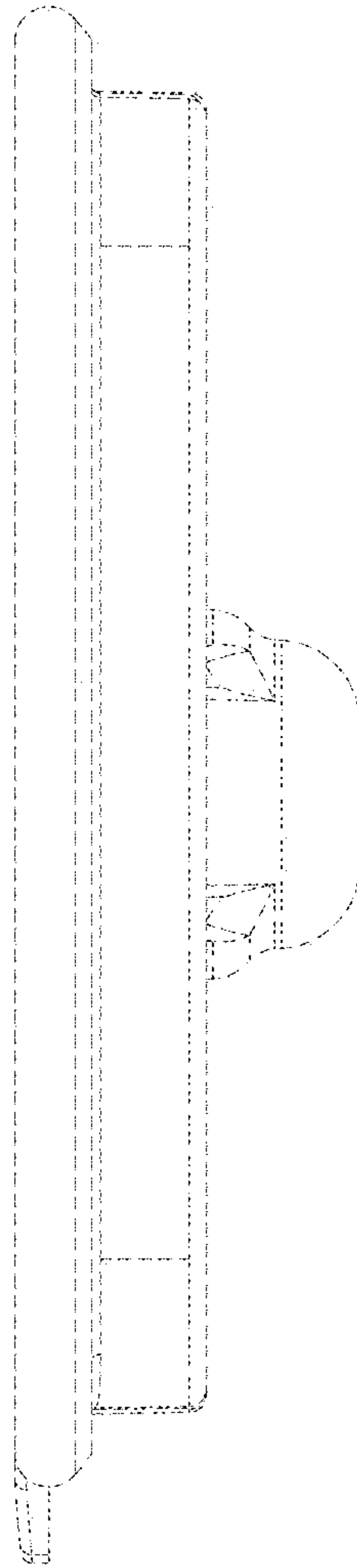


FIG. 8

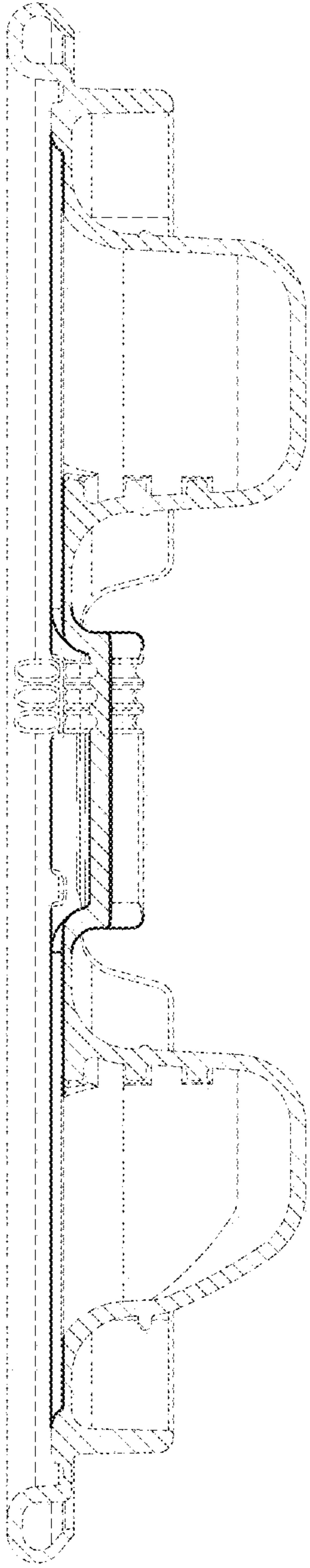


FIG. 9

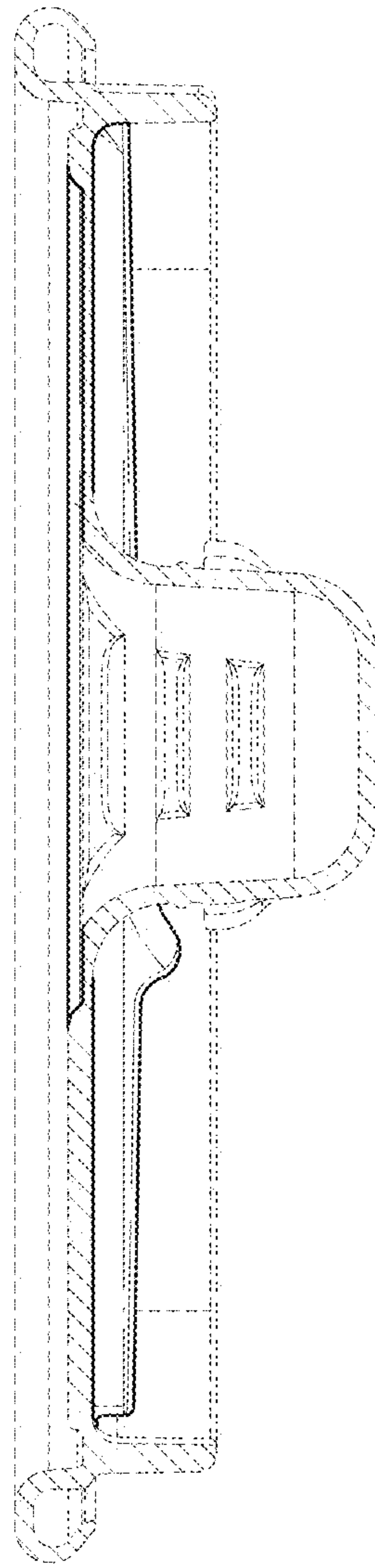


FIG. 10