



US00D884880S

(12) **United States Design Patent** (10) **Patent No.:** **US D884,880 S**
Fearon (45) **Date of Patent:** **** May 19, 2020**

(54) **SWIVELING AND ADJUSTABLE SURGICAL BASIN**

(71) Applicant: **Shauna Regina Fearon**, Naples, FL (US)

(72) Inventor: **Shauna Regina Fearon**, Naples, FL (US)

(73) Assignee: **Shauna Fearon**, Ham Lake, MN (US)

(**) Term: **15 Years**

(21) Appl. No.: **29/663,712**

(22) Filed: **Sep. 18, 2018**

(51) **LOC (12) Cl.** **24-04**

(52) **U.S. Cl.**
USPC **D24/123**

(58) **Field of Classification Search**
USPC D24/121–123, 117; 604/317, 319; D23/276, 295, 284, 277; 4/450–460, 488, 4/492, 493, 513, 538, 553, 905, 4/144.1–144.4, DIG. 5; D7/500, 587, D7/586, 545, 584; D9/502, 428, 429, D9/425, 431, 562; D30/129, 128, 131, D30/132, 121
CPC A61B 46/10; A61F 7/0241; A61F 7/0085
See application file for complete search history.

(56) **References Cited**

U.S. PATENT DOCUMENTS

D118,014 S * 12/1939 Grimm D23/277
D239,396 S * 3/1976 Pappas D24/224
5,522,095 A * 6/1996 Faries, Jr. A61F 7/0241
220/577
D533,644 S * 12/2006 Talocci D23/277

D588,239 S * 3/2009 Slothower D23/284
D596,719 S * 7/2009 Chen D23/284
D598,081 S * 8/2009 Soulier D23/284
D598,990 S * 8/2009 Durringer D23/284
D698,426 S * 1/2014 Delaney 4/315
D779,643 S * 2/2017 Stauffer D23/284
D862,727 S * 10/2019 Hart D24/224
D873,994 S * 1/2020 Hendrix D24/121
2004/0208780 A1 * 10/2004 Faries, Jr. A61F 7/0085
422/3

* cited by examiner

Primary Examiner — Nathan M Johnston

(74) Attorney, Agent, or Firm — Elizabeth Fenske

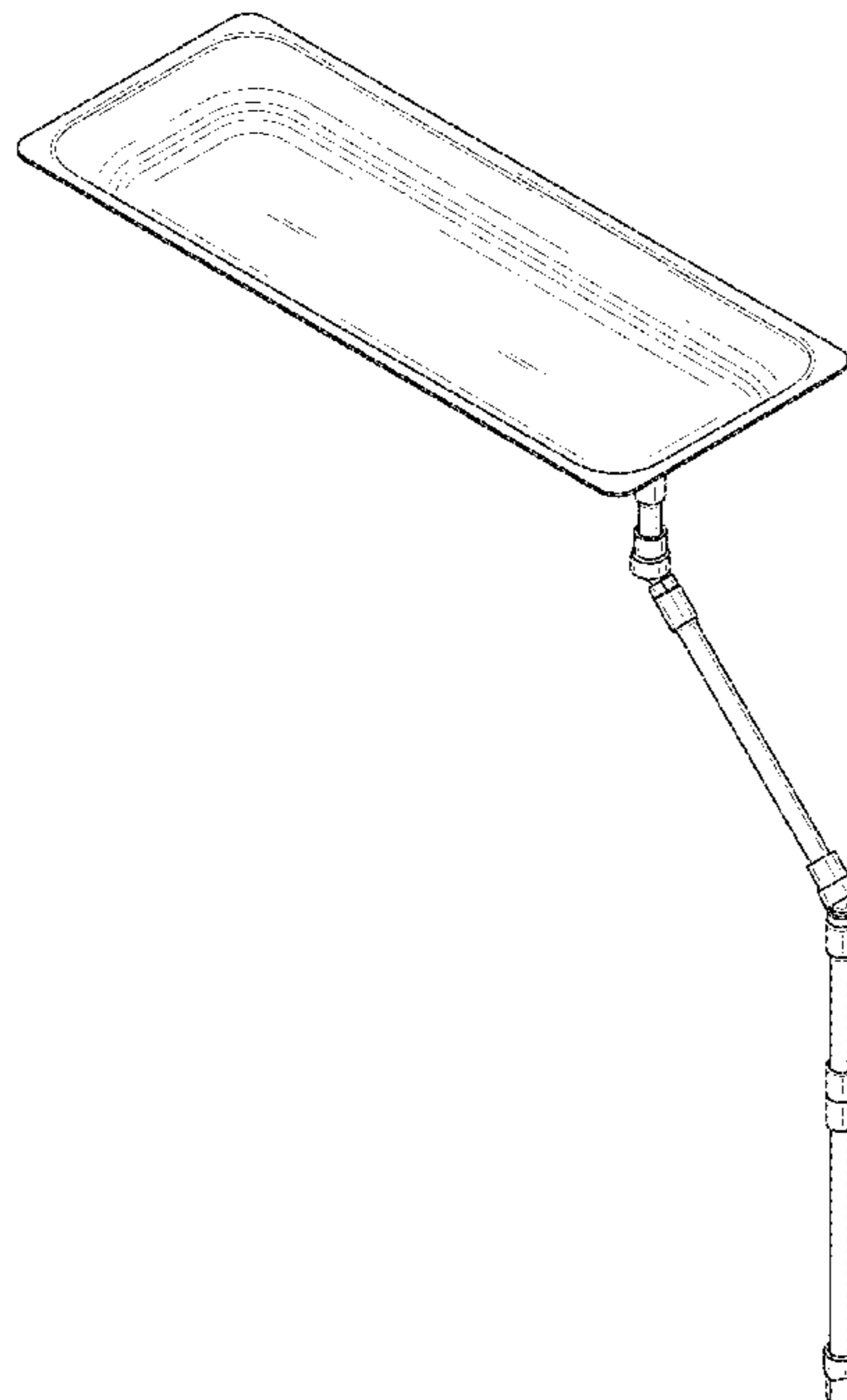
(57) **CLAIM**

The ornamental design for swiveling and adjustable surgical basin, as shown and described.

DESCRIPTION

FIG. 1 is a top-down perspective view of a swiveling and adjustable surgical basin showing my new design with the top and side shown;
FIG. 2 is a first side view of the swiveling and adjustable surgical basin;
FIG. 3 is a second side view of the swiveling and adjustable surgical basin, opposite of the first side view;
FIG. 4 is a front view of the swiveling and adjustable surgical basin;
FIG. 5 is a back view of the swiveling and adjustable surgical basin, opposite of the front view;
FIG. 6 is a top-down perspective view of the swiveling and adjustable surgical basin; and,
FIG. 7 is a bottom-up perspective view of the swiveling and adjustable surgical basin.

1 Claim, 7 Drawing Sheets



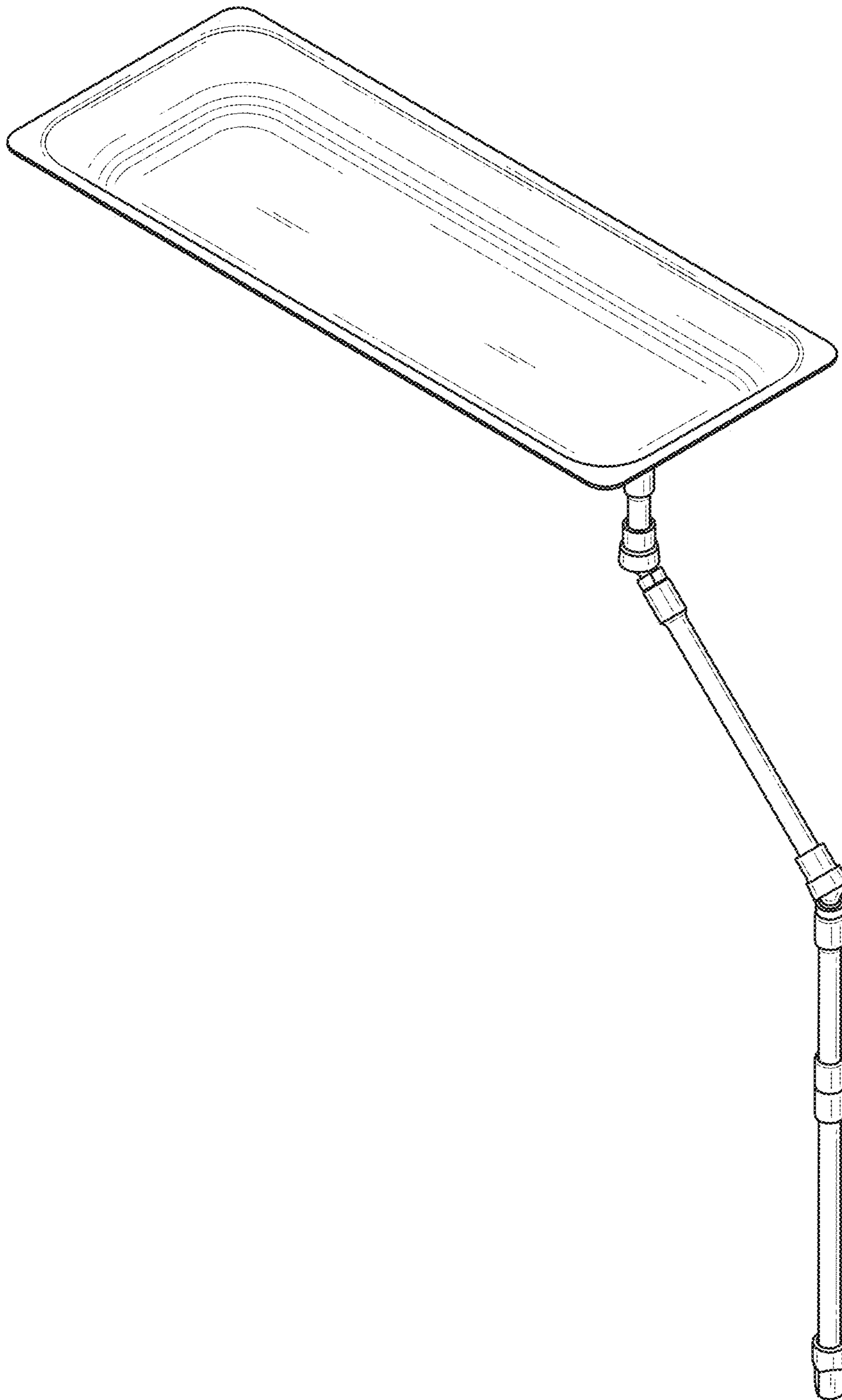


Fig. 1

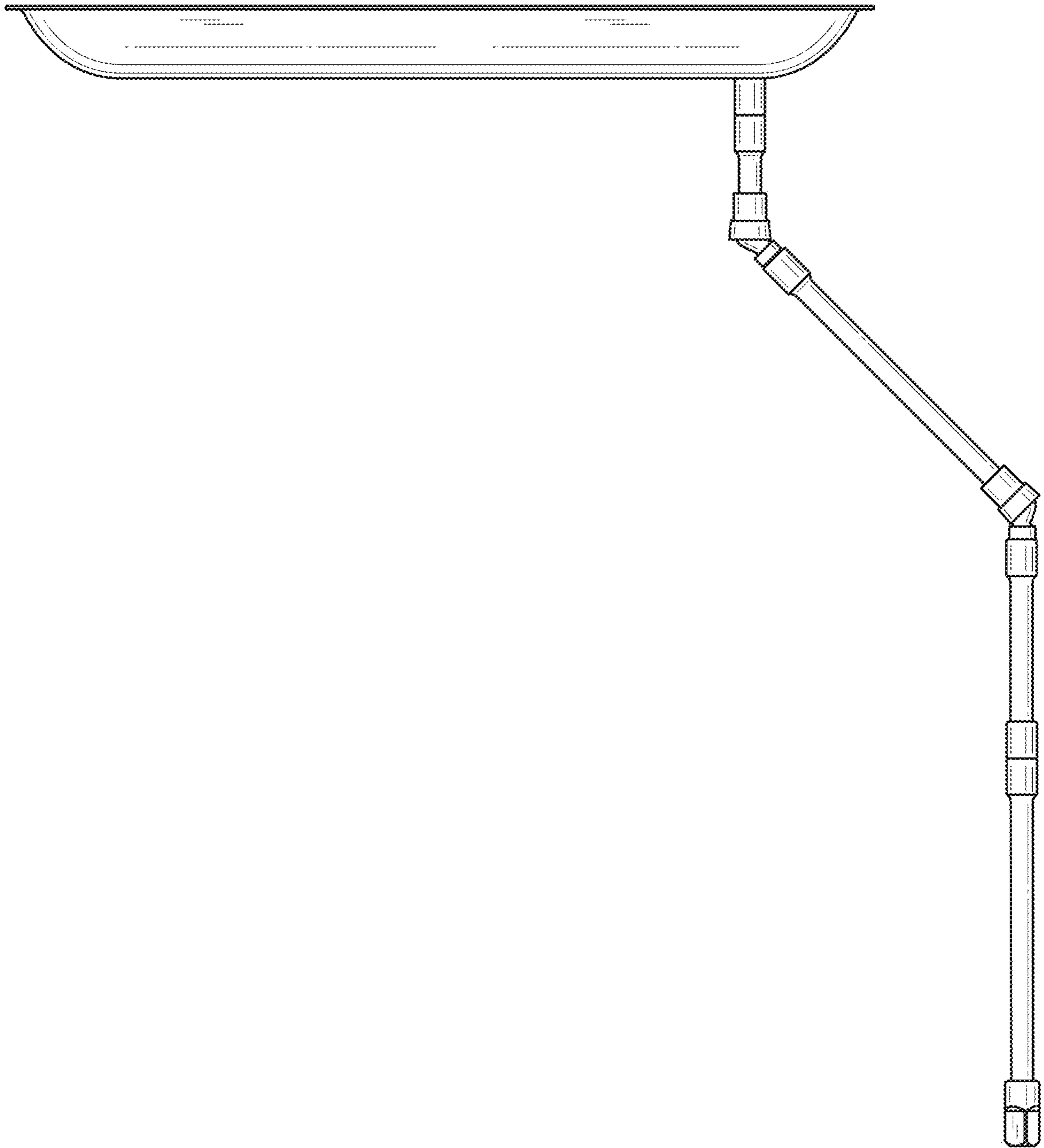


Fig. 2

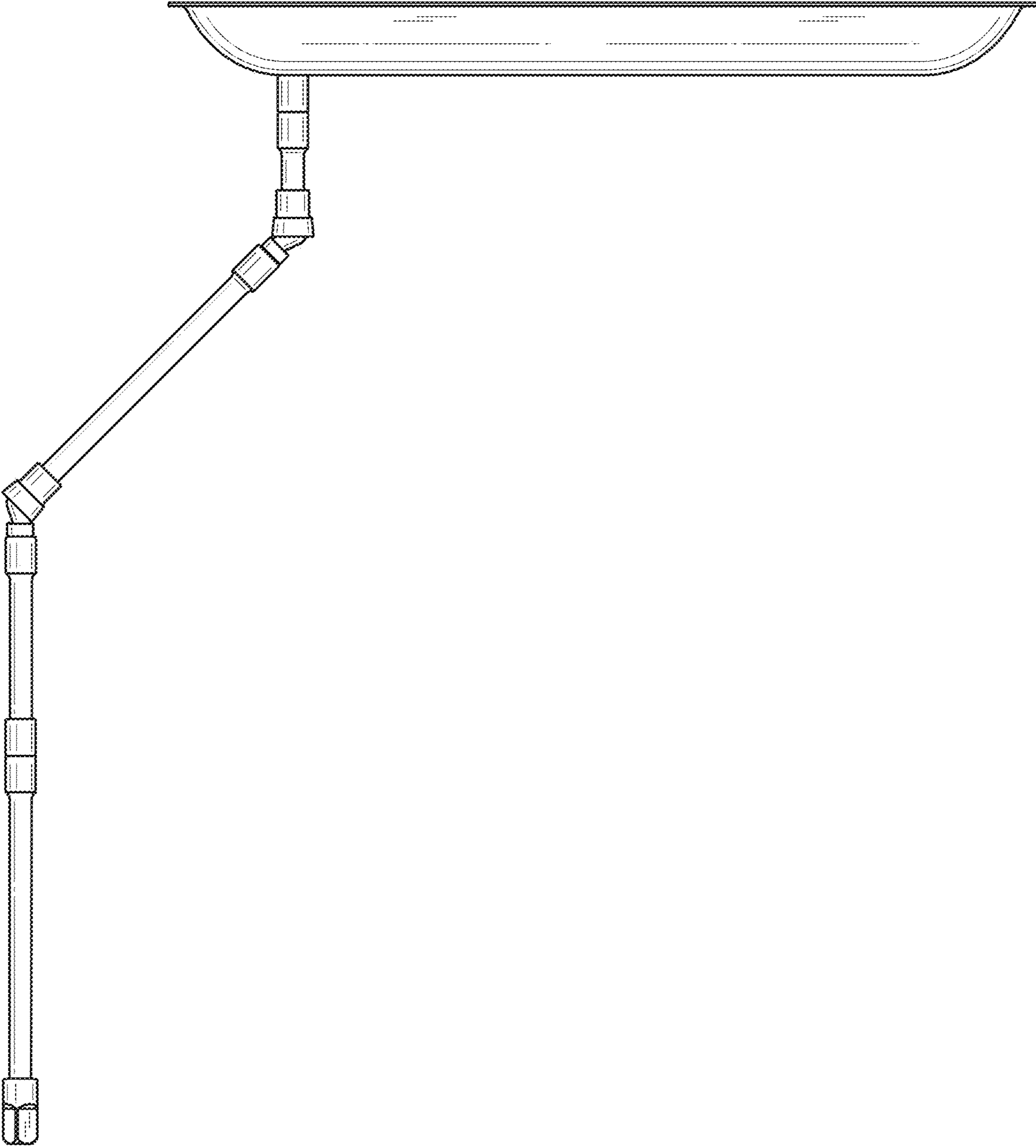


Fig. 3

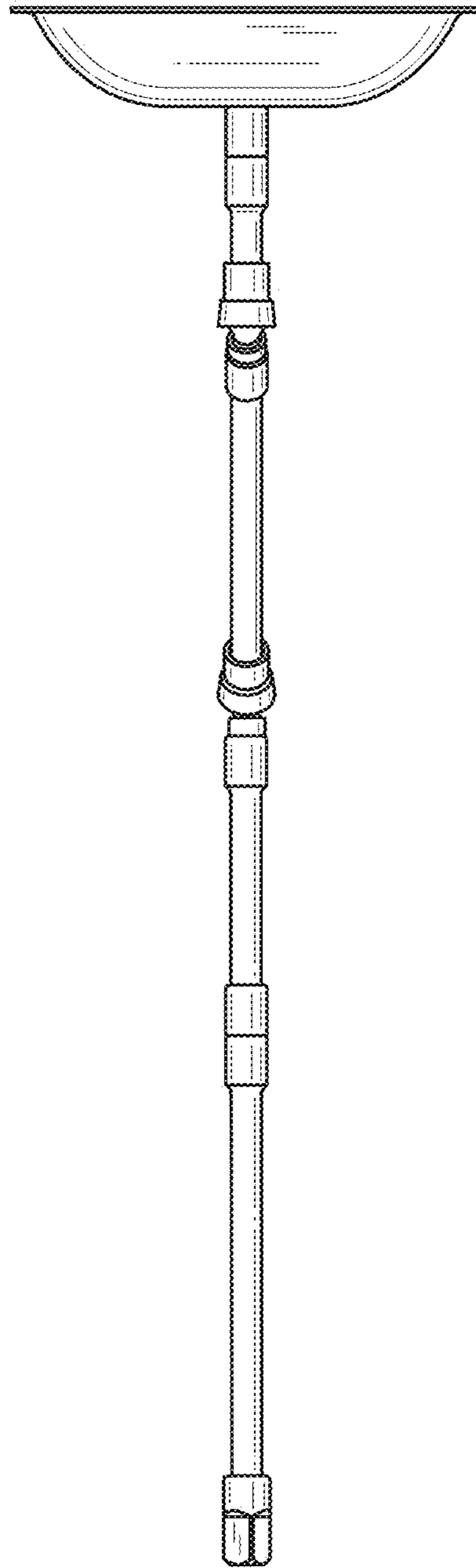


Fig. 4

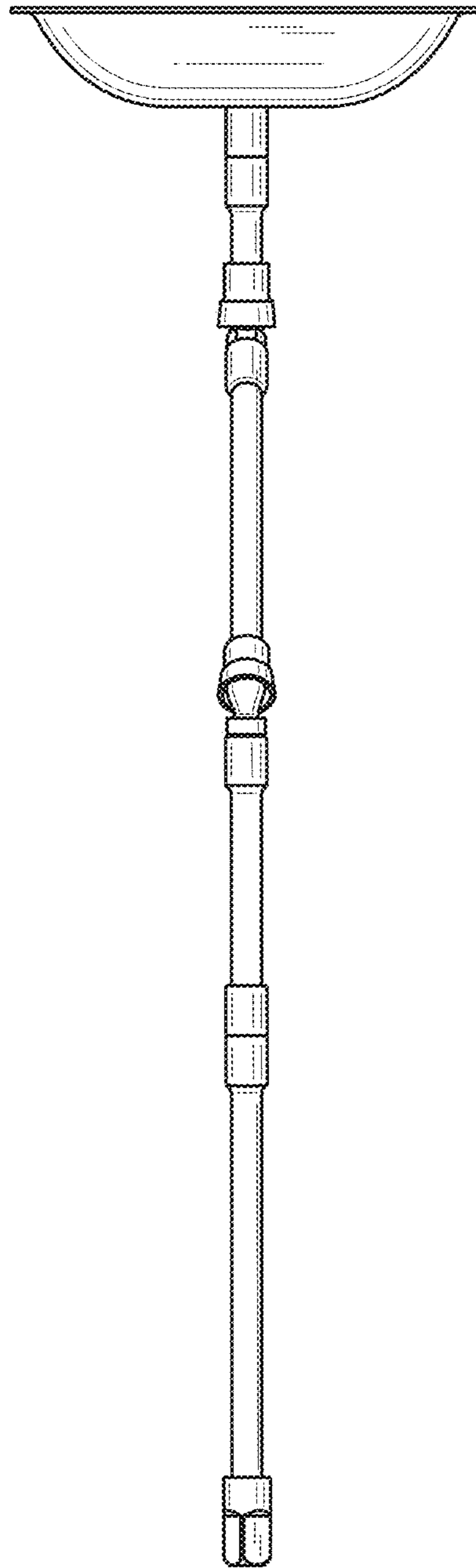


Fig. 5

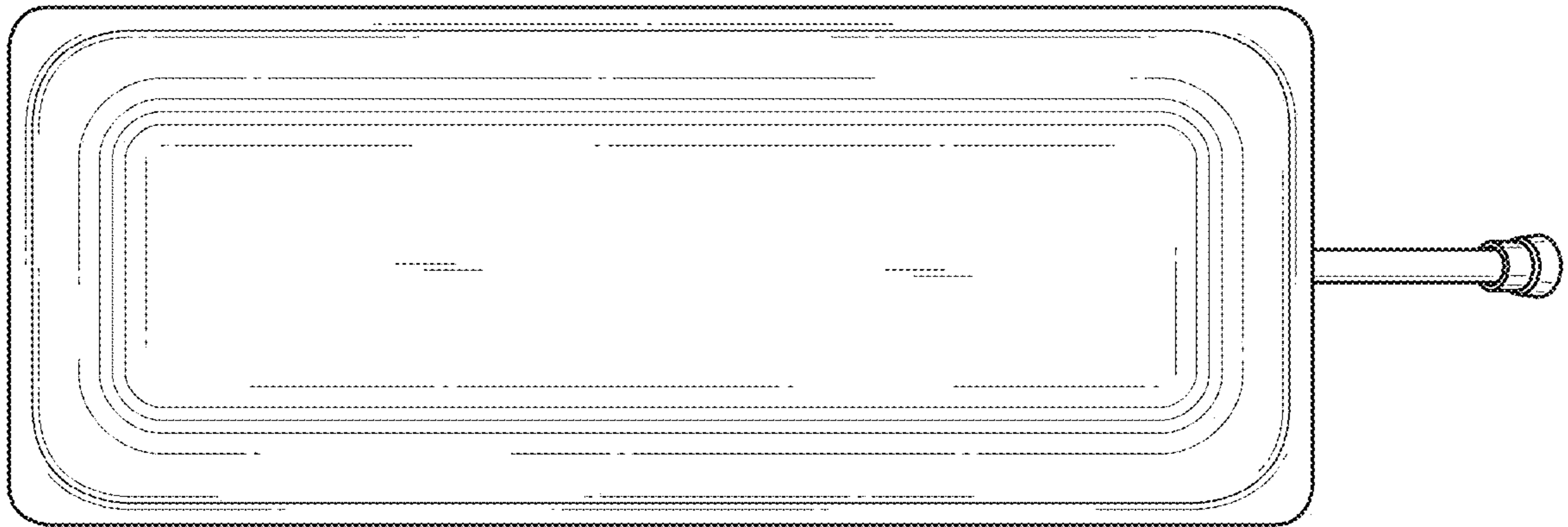


Fig. 6

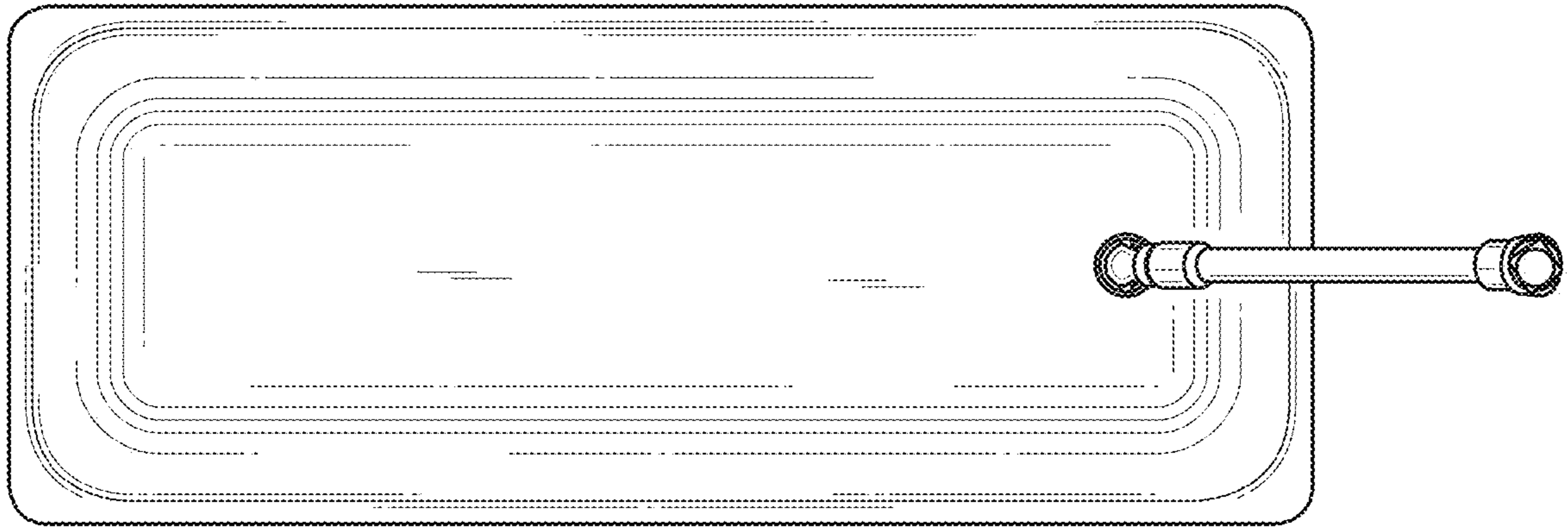


Fig. 7