



US00D884879S

(12) **United States Design Patent** (10) **Patent No.:** **US D884,879 S**
Hanafusa et al. (45) **Date of Patent:** **** May 19, 2020**

(54) **BLOOD COLLECTING DEVICE**
(71) Applicant: **ASAHI POLYSLIDER COMPANY, LIMITED**, Osaka (JP)
(72) Inventors: **Hiroshi Hanafusa**, Maniwa (JP); **Ko Isozaki**, Chofu (JP); **Kei Suzuki**, Tokyo (JP)
(73) Assignee: **Asahi Polyslider Company, Limited**, Osaka (JP)

D499,182 S * 11/2004 Moore D24/146
D628,293 S * 11/2010 Ruf D24/146
D643,934 S * 8/2011 Wilkinson D24/224
D645,147 S 9/2011 Ruf
D645,148 S 9/2011 Ruf
D746,458 S 12/2015 Imori et al.
D782,036 S * 3/2017 Cai D24/121
D794,790 S * 8/2017 Shi D24/146
D795,426 S * 8/2017 Shi D24/146
D821,591 S * 6/2018 Smith D24/197
D823,462 S * 7/2018 Okamura D24/121
D833,639 S * 11/2018 Peltosaari D24/224
D871,852 S * 1/2020 Haas D7/531
D874,285 S * 2/2020 Yourist D9/539

(**) Term: **15 Years**

FOREIGN PATENT DOCUMENTS

(21) Appl. No.: **29/665,435**
(22) Filed: **Oct. 3, 2018**

JP 1499672 6/2014
WO 2011/043368 4/2011

* cited by examiner

(30) **Foreign Application Priority Data**
May 31, 2018 (JP) 2018-012014

Primary Examiner — David G Muller
Assistant Examiner — Nathan M Johnston
(74) *Attorney, Agent, or Firm* — Wenderoth, Lind & Ponack, L.L.P.

(51) **LOC (12) Cl.** **24-04**
(52) **U.S. Cl.**
USPC **D24/121**
(58) **Field of Classification Search**
USPC D24/121, 127-131, 112-114, 133, 186;
606/181, 185; 604/264, 523-528, 272,
604/187, 158, 164.01-164.11, 181, 184,
604/227; 600/101, 139, 143;
128/200.24, 207.14, 207.15
CPC .. A61M 25/065; A61M 5/42; A61M 25/0612;
A61M 25/00; A61M 39/00; A61M 27/00;
A61M 25/0043; A61M 25/0067; A61M
25/0097; A61F 2/958
See application file for complete search history.

(57) **CLAIM**

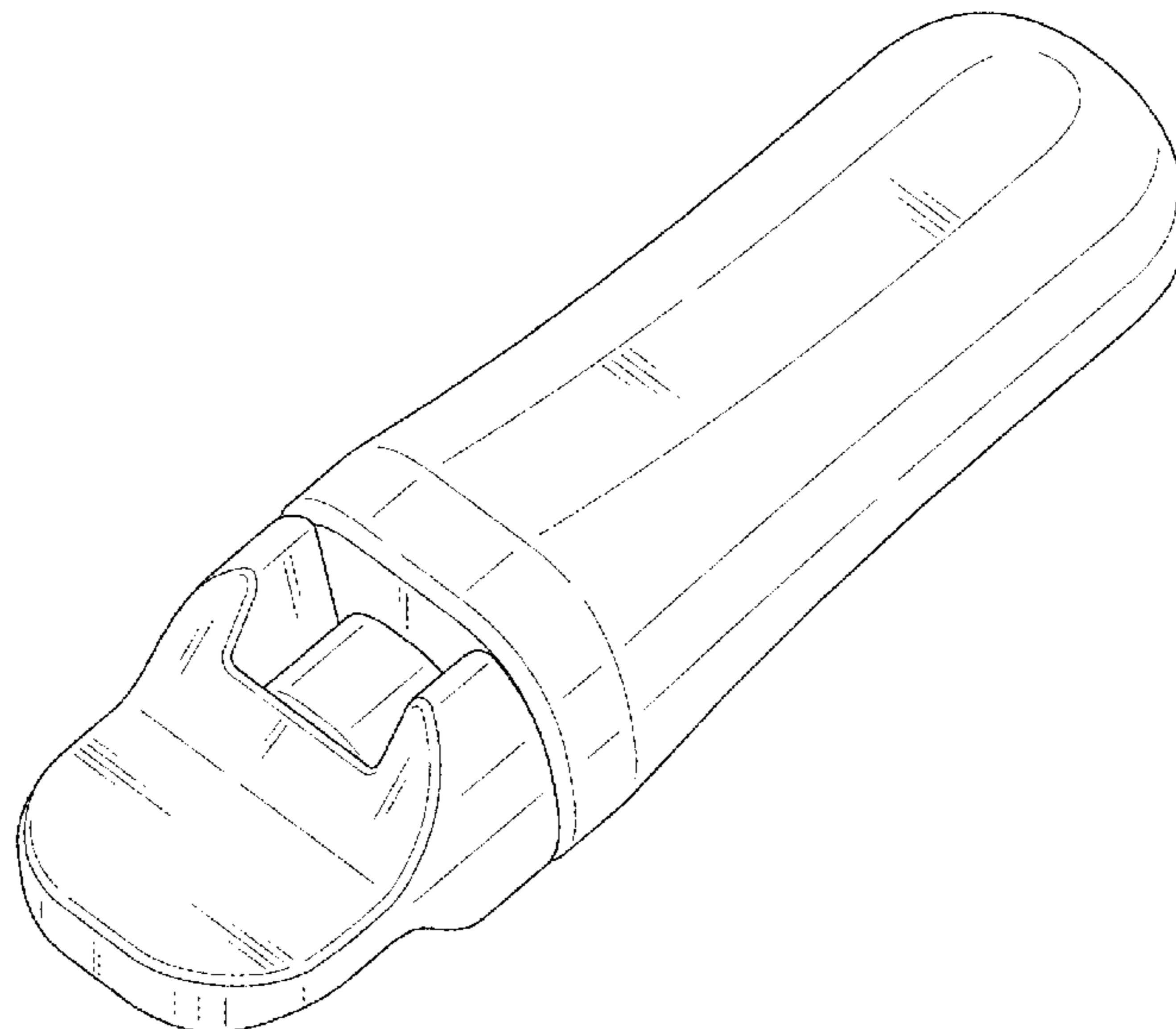
The ornamental design for a blood collecting device, as shown and described.

DESCRIPTION

FIG. 1 is a perspective view of a blood collecting device showing our new design;
FIG. 2 is a front elevational view thereof, a rear elevational view being a mirror image thereof;
FIG. 3 is a left side view thereof;
FIG. 4 is a right side view thereof; and,
FIG. 5 is a top plan view thereof, a bottom plan view being a mirror image thereof.
The broken lines in the figures show portions of the blood collecting device that form no part of the claimed design.

(56) **References Cited**
U.S. PATENT DOCUMENTS
D337,261 S * 7/1993 Sherman D24/224
D444,557 S * 7/2001 Levaughn D24/146

1 Claim, 5 Drawing Sheets



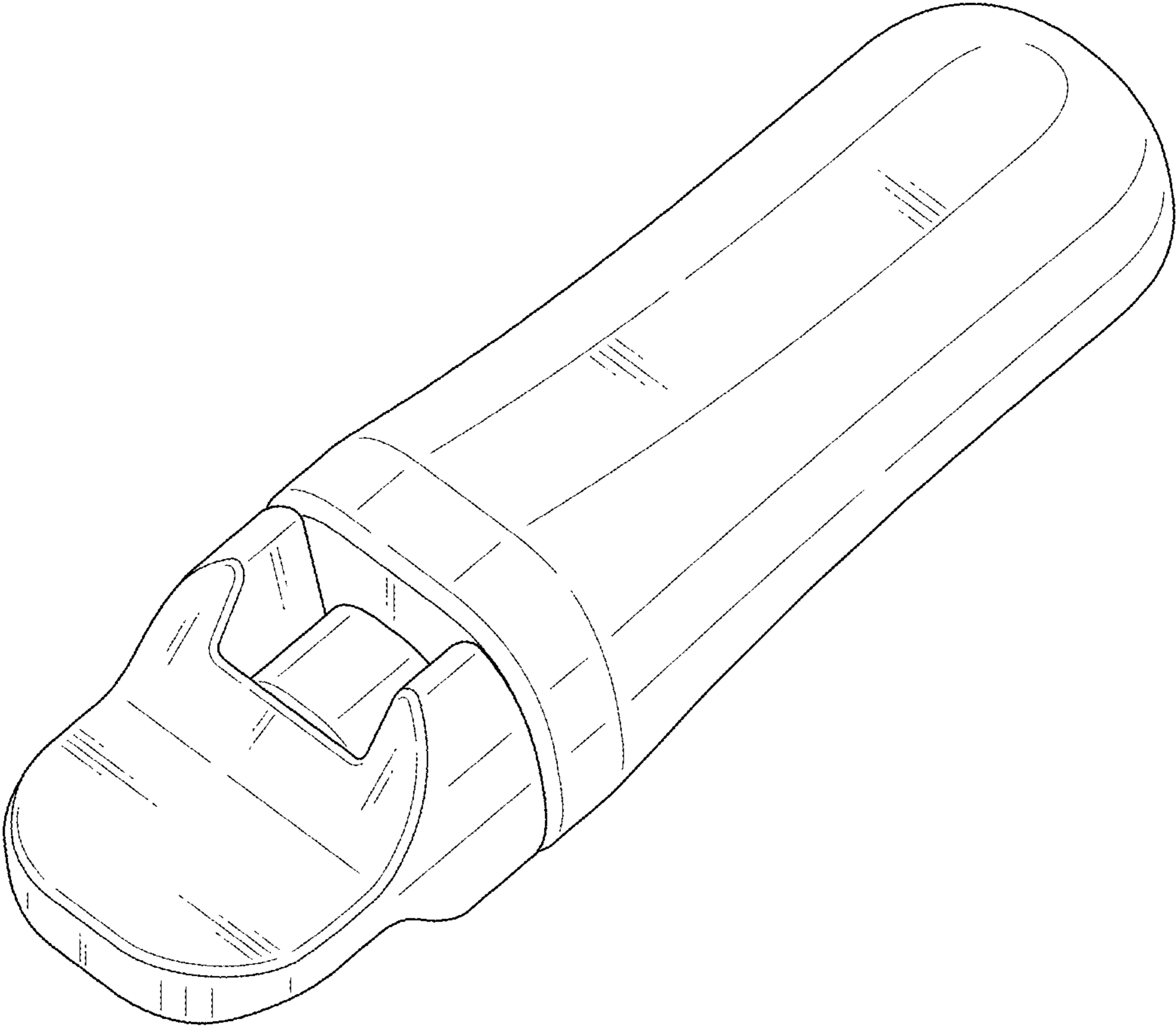


FIG. 1

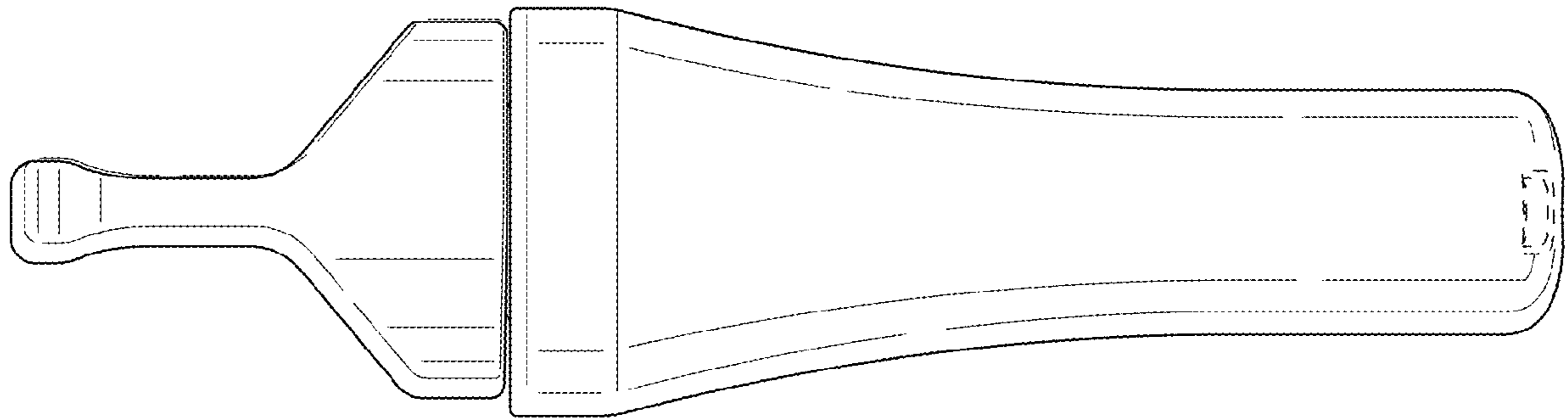


FIG. 2

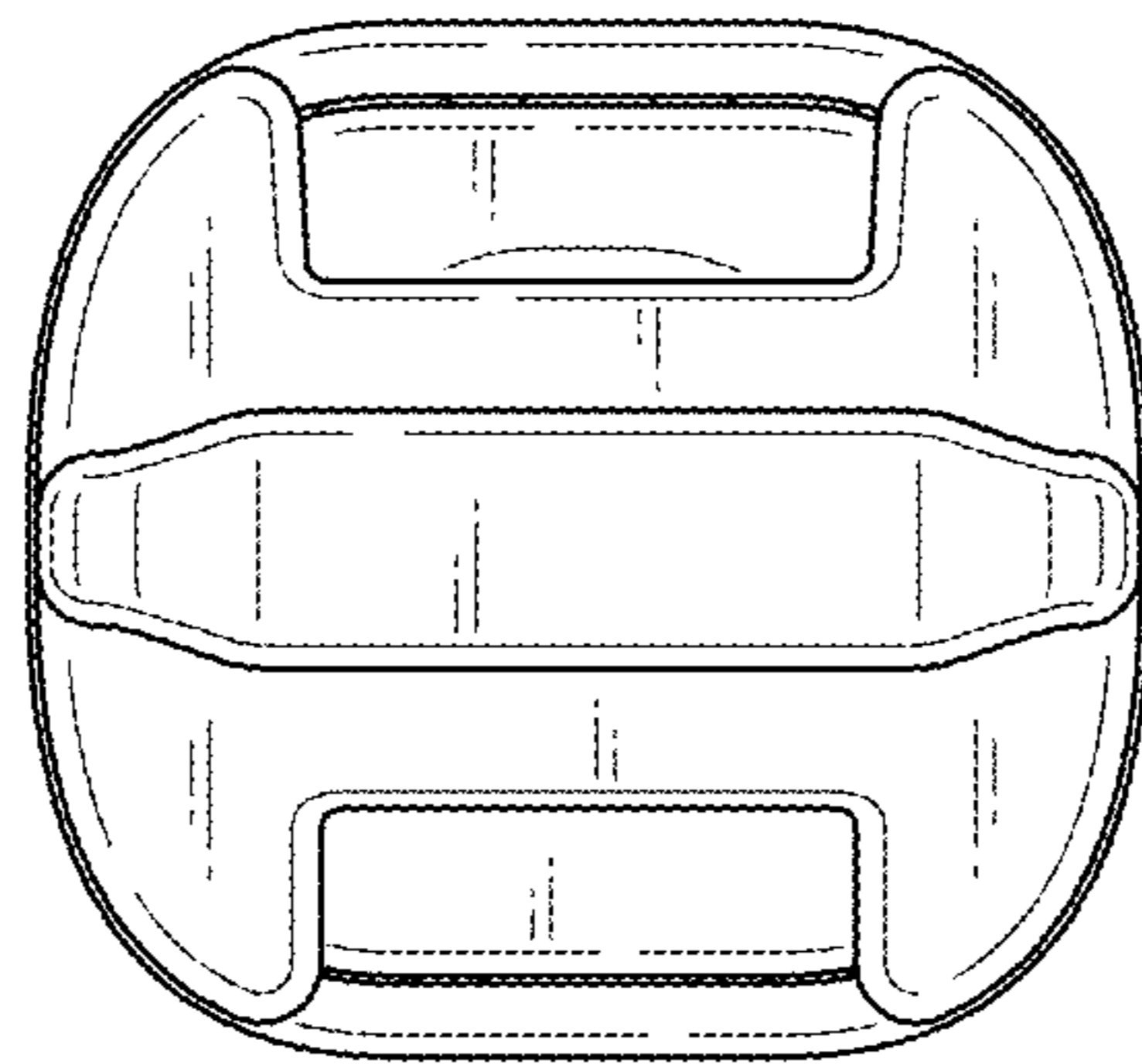


FIG. 3

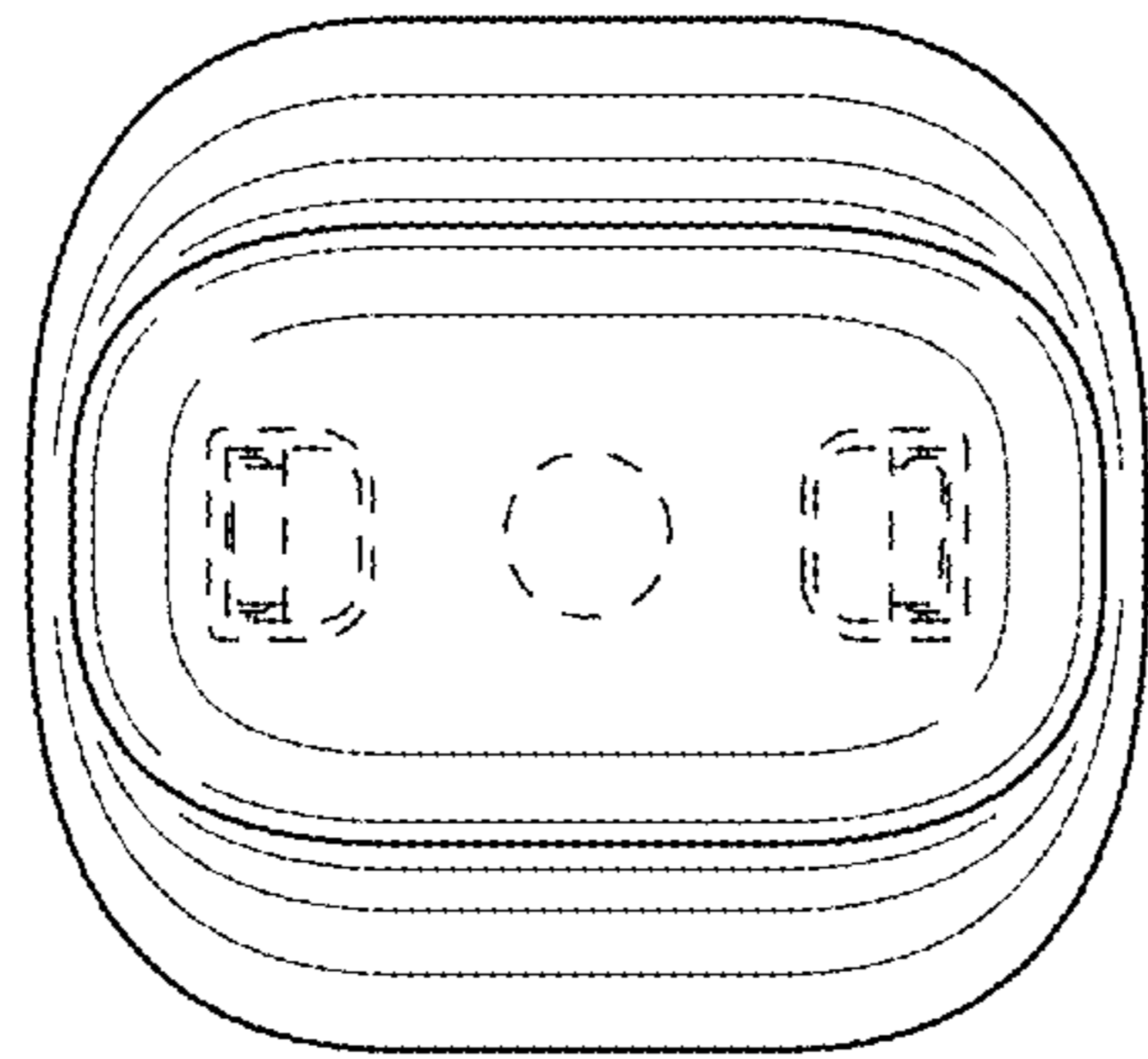


FIG. 4

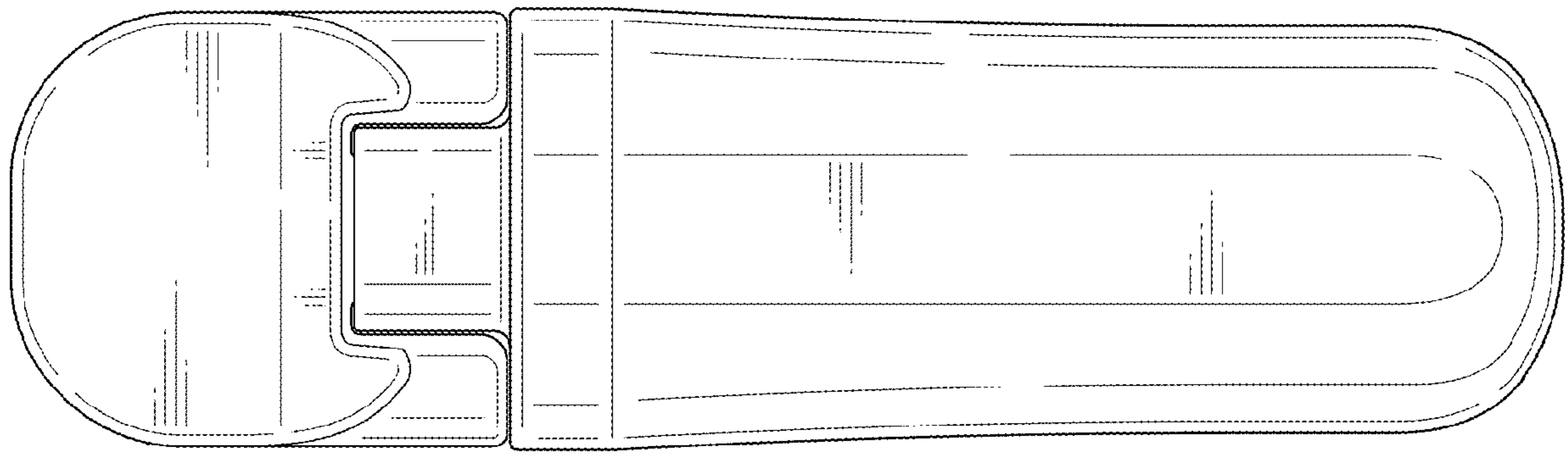


FIG. 5