



US00D884878S

(12) **United States Design Patent**
Nayar

(10) **Patent No.:** **US D884,878 S**

(45) **Date of Patent:** **** May 19, 2020**

(54) **HEMORRHOID BANDING DEVICE**

(71) Applicant: **SpaceBander Corporation**,
Hillsborough, NJ (US)

(72) Inventor: **Devjit S. Nayar**, Hoboken, NJ (US)

(73) Assignee: **SpaceBander Corporation**,
Hillsborough, NJ (US)

(**) Term: **15 Years**

(21) Appl. No.: **29/650,257**

(22) Filed: **Jun. 5, 2018**

(51) **LOC (12) Cl.** **24-02**

(52) **U.S. Cl.**
USPC **D24/112**

(58) **Field of Classification Search**
USPC D24/112–114, 108, 130, 127, 133, 186;
606/181, 185, 140; 604/264, 523–528,
604/272, 164.01–164.11, 187, 93.01;
600/101, 139, 143; 128/200.24, 207.14,
128/207.15
CPC A61B 17/12013; A61B 17/12; A61B
2017/12018; A61M 25/00; A61M 39/00;
A61M 27/00; A61M 25/0043; A61M
25/0067; A61M 25/0097; A61F 2/958
See application file for complete search history.

(56) **References Cited**

U.S. PATENT DOCUMENTS

3,989,049	A	11/1976	Yoon	
4,548,201	A	10/1985	Yoon	
5,158,563	A	10/1992	Cosman	
5,203,863	A	4/1993	Bidoia	
5,464,412	A	11/1995	Budding	
5,571,115	A	11/1996	Nicholas	
5,741,273	A	4/1998	O'Regan	
5,922,001	A *	7/1999	Yoon	A61B 17/12013 606/139

6,342,052	B1	1/2002	Allende	
6,436,108	B1 *	8/2002	Mears	A61B 17/12013 606/139
6,517,477	B1 *	2/2003	Wendlandt	A61B 1/00156 600/114
6,896,682	B1	5/2005	McClellan	
7,037,314	B2 *	5/2006	Armstrong	A61B 1/31 606/1
7,083,629	B2 *	8/2006	Weller	A61B 17/0482 606/151
7,118,528	B1	10/2006	Piskun	
7,488,333	B2	2/2009	Ghareeb	
7,846,138	B2 *	12/2010	Dann	A61B 17/00234 604/263

(Continued)

Primary Examiner — David G Muller

(74) *Attorney, Agent, or Firm* — Gearhart Law LLC

(57) **CLAIM**

The ornamental design for a hemorrhoid banding device, as shown and described.

DESCRIPTION

FIG. 1 is a perspective view of the hemorrhoid banding device.

FIG. 2 is a top view thereof.

FIG. 3 is a bottom view thereof.

FIG. 4 is a right side view thereof.

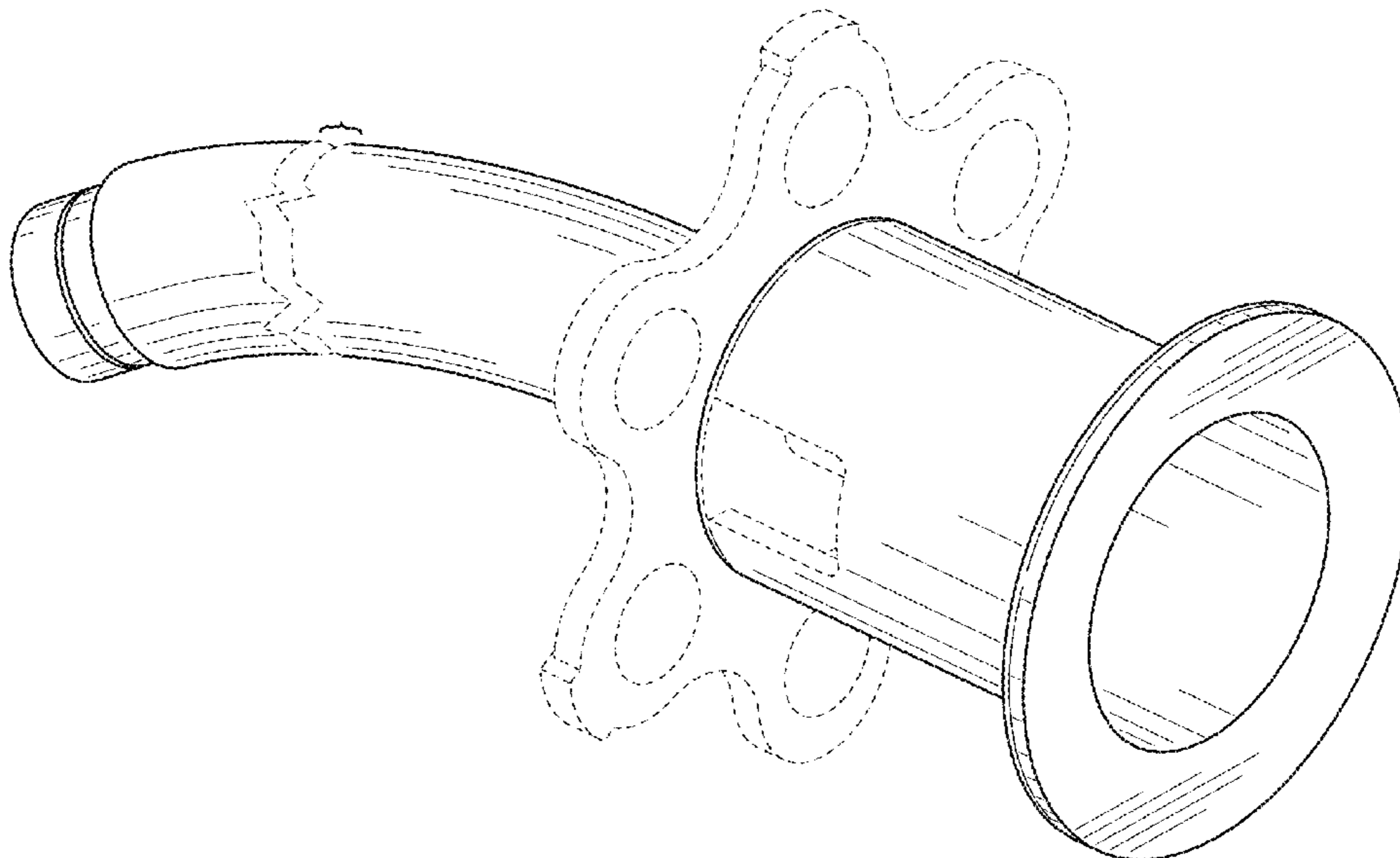
FIG. 5 is a left side view thereof.

FIG. 6 is a back view of thereof; and,

FIG. 7 is a front view of thereof.

The hemorrhoid banding device is shown with a symbolic break in its length. The appearance of any portion of the article between the break lines forms no part of the claimed design. Further, as shown in FIG. 2, there is a dot-dash boundary line present on the surface visible through the top opening in FIG. 2. The surface within the circular boundary line is not claimed and forms no part of the claimed design.

1 Claim, 4 Drawing Sheets



(56)

References Cited

U.S. PATENT DOCUMENTS

7,918,227	B1 *	4/2011	Phythyon	A61M 16/04 128/204.18
8,262,677	B2	9/2012	Goto	
8,591,525	B2	11/2013	Ikeda	
8,647,352	B2	2/2014	Noda et al.	
8,728,094	B2 *	5/2014	Roorda	A61B 17/0401 606/139
8,974,474	B2 *	3/2015	Kamler	A61B 17/12013 606/140
9,782,177	B2 *	10/2017	Su	A61B 17/12013
D810,928	S *	2/2018	Teufel	D24/112
D818,115	S *	5/2018	Teufel	D24/112
D818,116	S *	5/2018	Teufel	D24/112
2006/0259041	A1	11/2006	Hoffman	
2009/0105728	A1	4/2009	Noda et al.	
2010/0063517	A1	3/2010	Cleator	
2012/0010633	A1	1/2012	Noda et al.	
2012/0059394	A1	3/2012	Brenner	
2013/0226198	A1	8/2013	Kamler	
2014/0121679	A1	5/2014	Cleator	

* cited by examiner

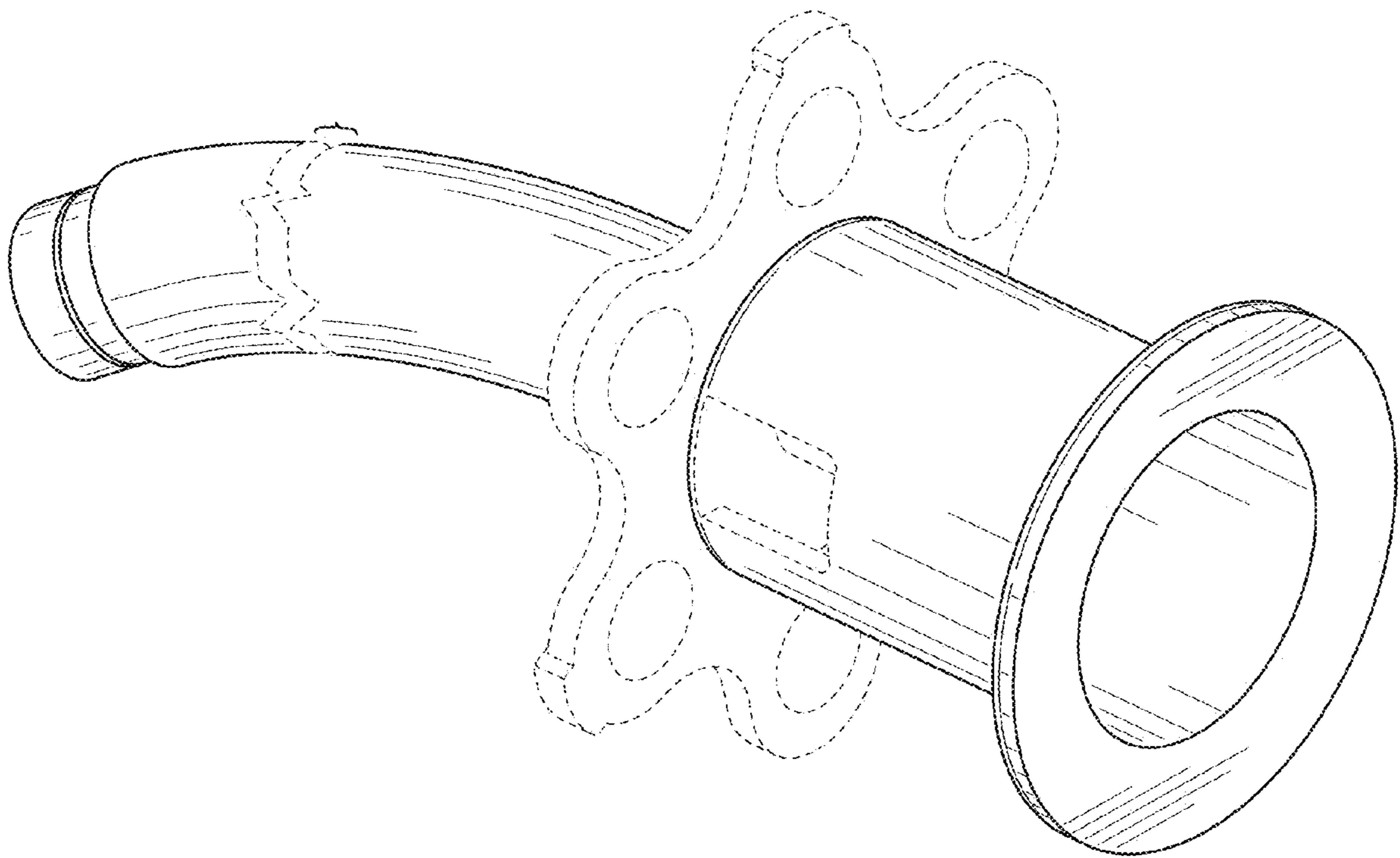


FIG. 1

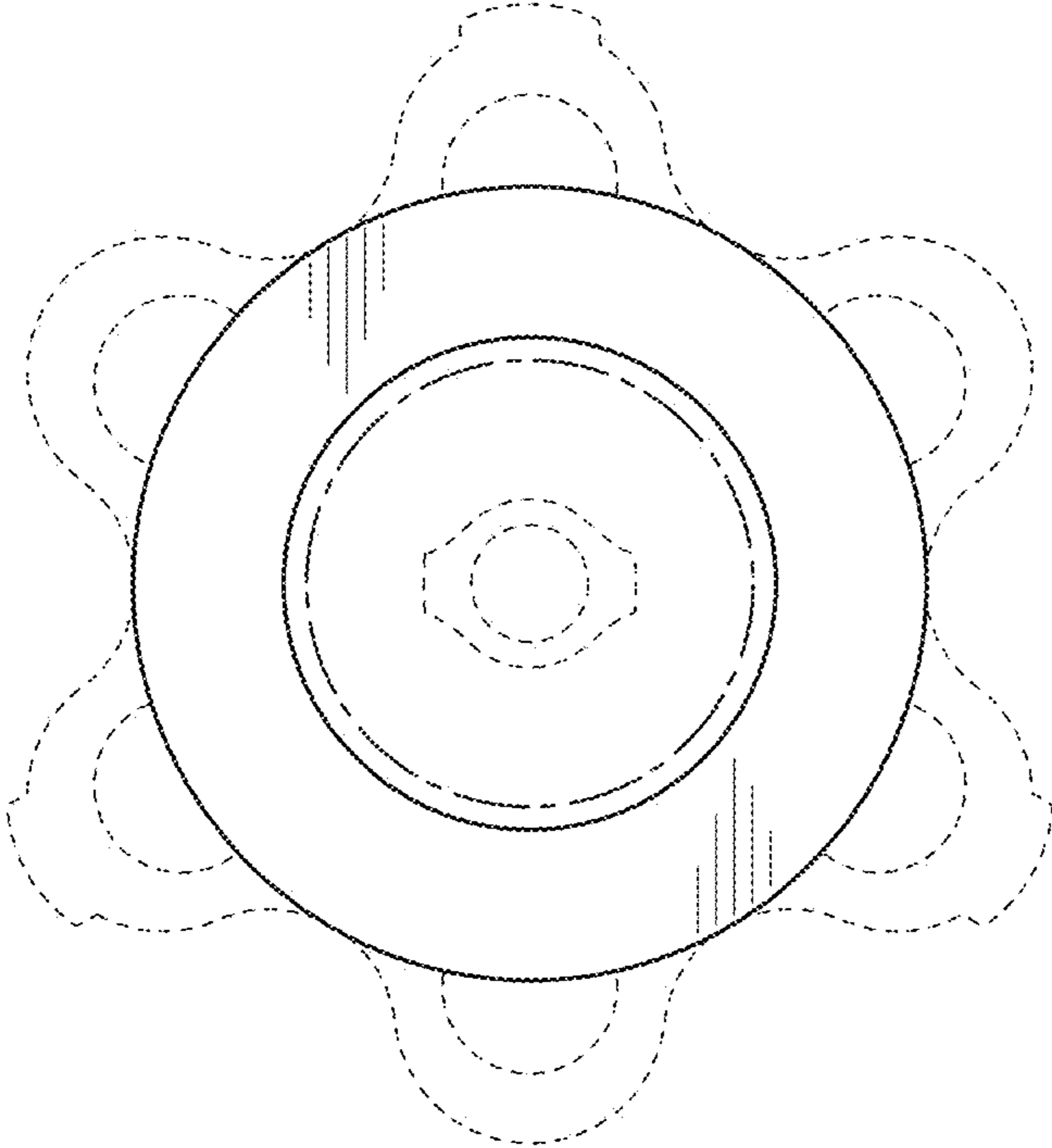


FIG. 2

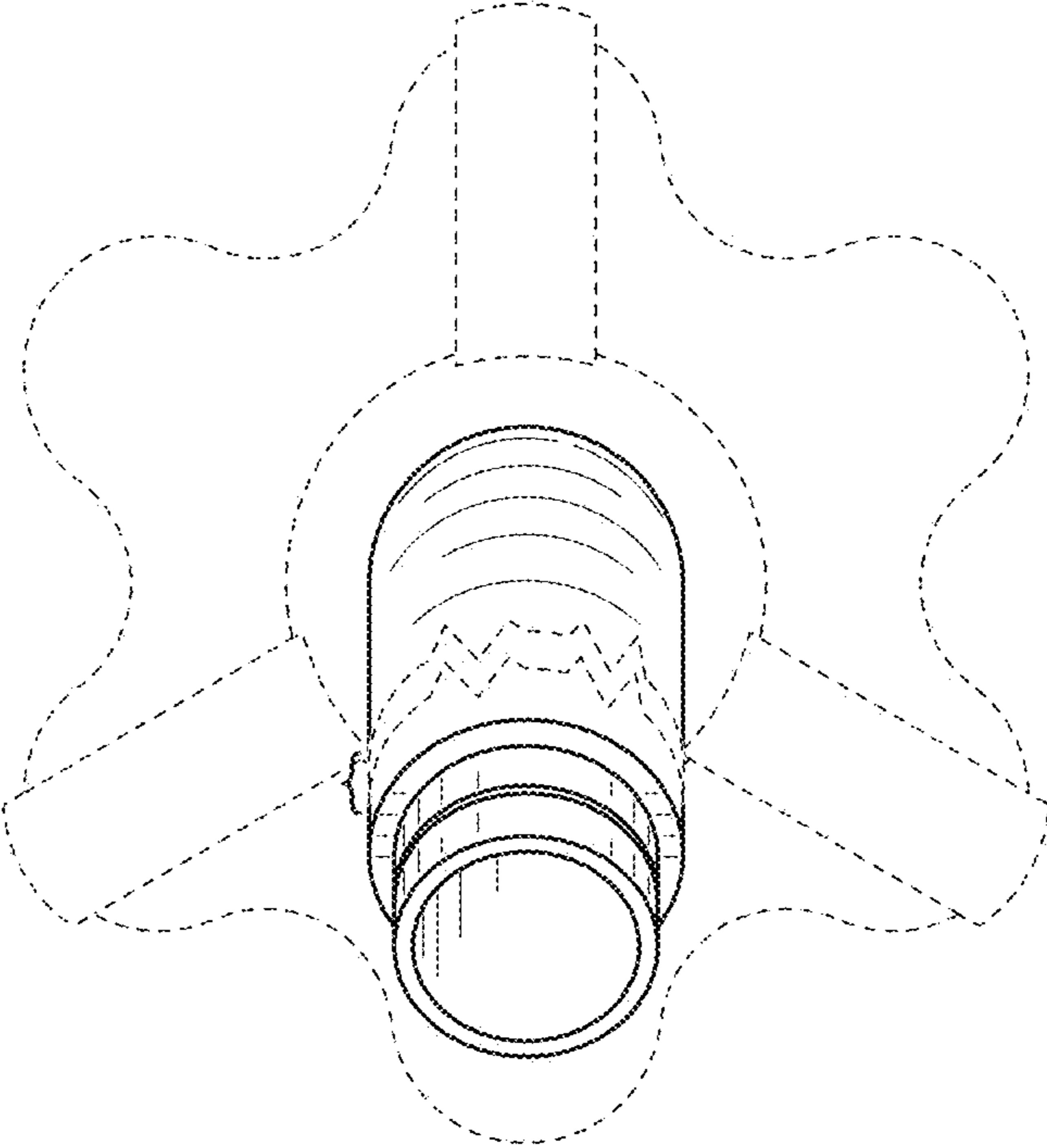


FIG. 3

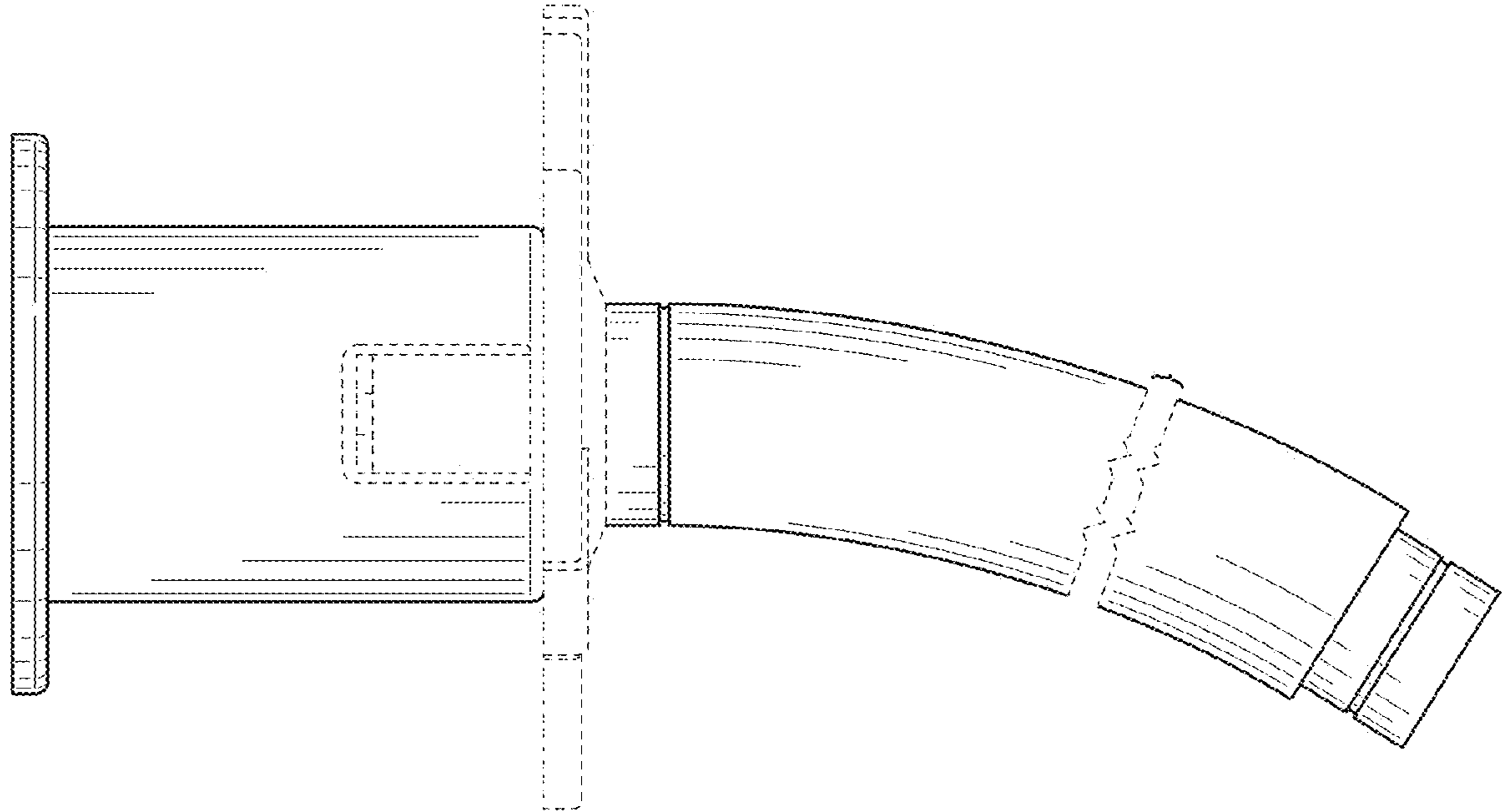


FIG. 4

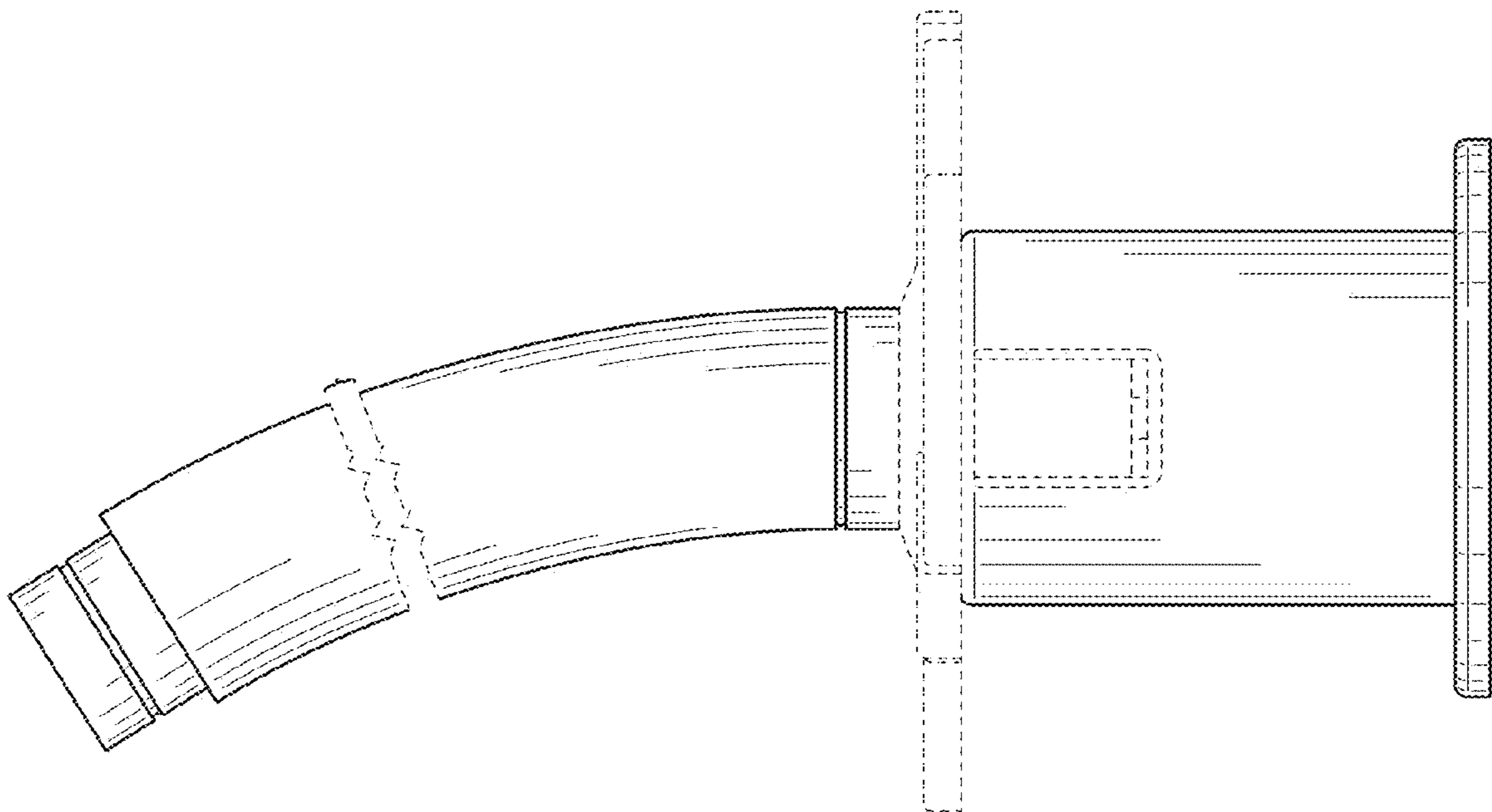


FIG. 5

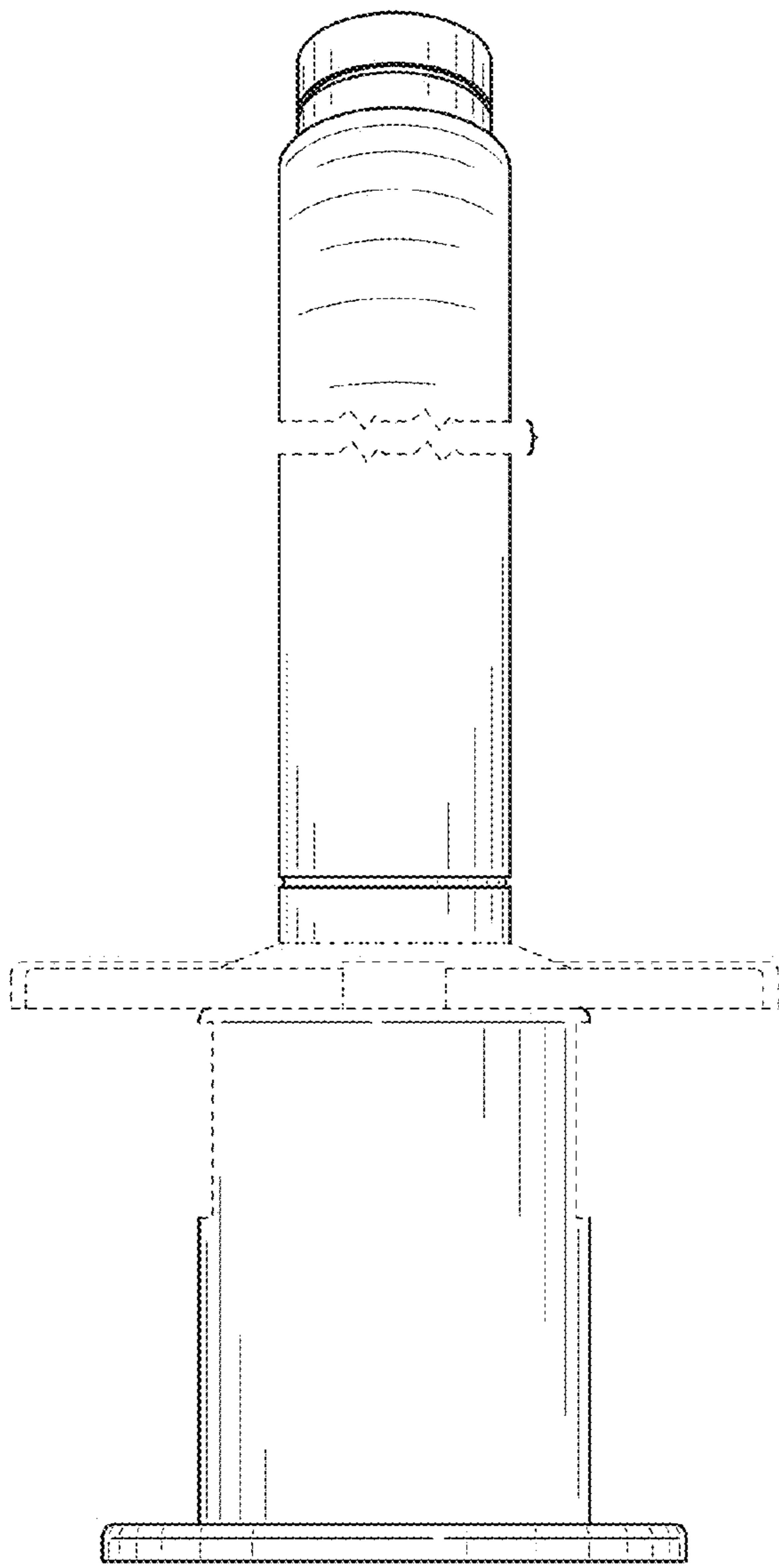


FIG. 6

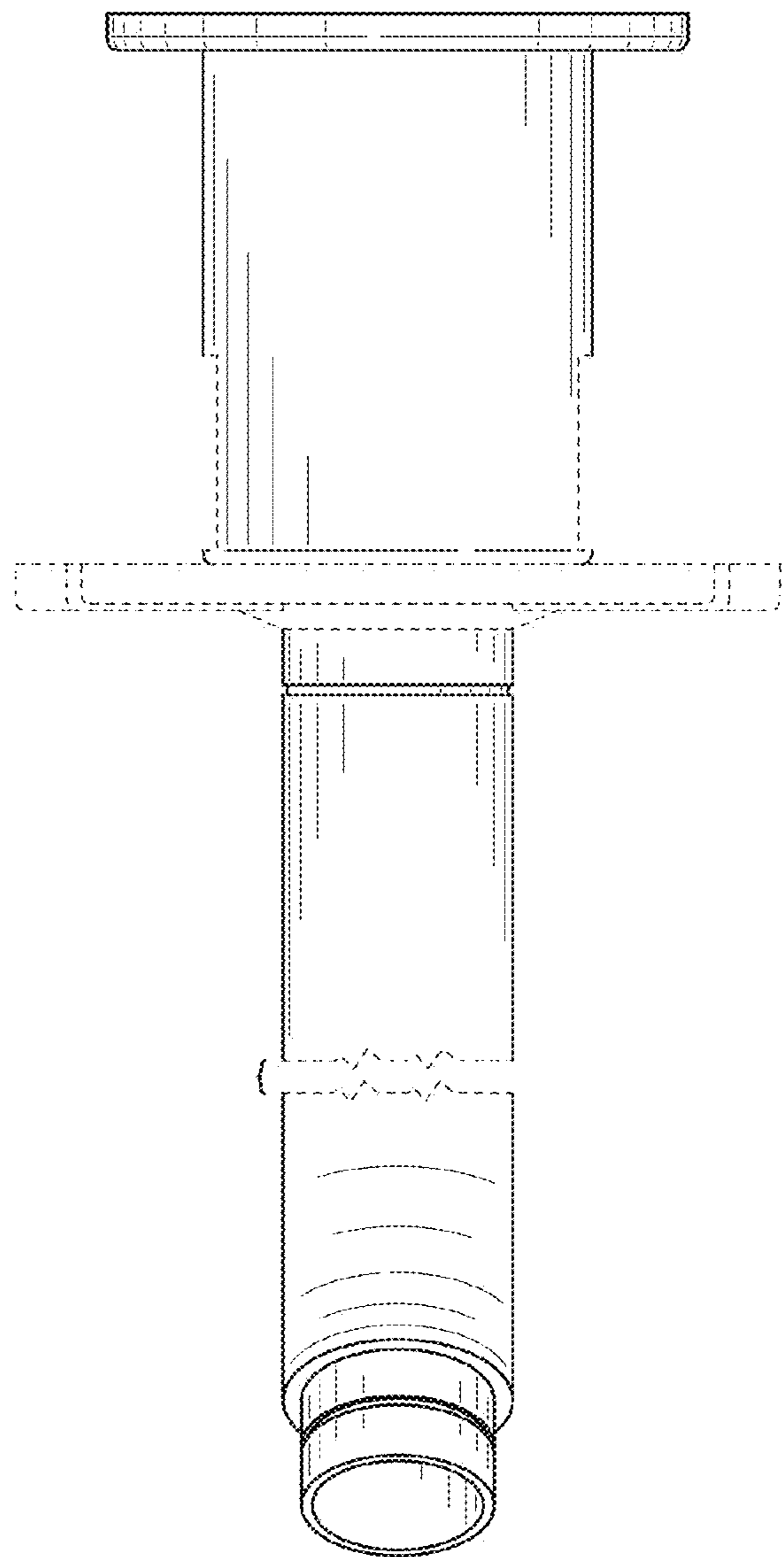


FIG. 7