



US00D884877S

(12) **United States Design Patent** (10) **Patent No.:** **US D884,877 S**
Fritze (45) **Date of Patent:** **** May 19, 2020**

(54) **APPLICATOR FOR DENTAL USE**
(71) Applicant: **S&C Polymer Silicon- und Composite-Spezialitaeten**, Elmshorn (DE)

D702,830 S * 4/2014 Hannah D24/108
D728,780 S * 5/2015 Pieroni D24/112
D743,020 S * 11/2015 Mehta D24/108
D800,587 S * 10/2017 Cho D10/74
(Continued)

(72) Inventor: **Joachim Fritze**, Elmshorn (DE)

FOREIGN PATENT DOCUMENTS

(73) Assignee: **S&C Polymer Silicon-und Composite-Spezialitaeten GmbH**, Elmshorn (DE)

EP 2783654 10/2014
WO 2016131160 8/2016

(**) Term: **15 Years**

OTHER PUBLICATIONS

(21) Appl. No.: **29/626,970**

Product sheet of an applicator for dental use as used in trade prior to the filing date; 2 pages.

(22) Filed: **Nov. 21, 2017**

Primary Examiner — David G Muller

(74) *Attorney, Agent, or Firm* — John H. Thomas, P.C.

(30) **Foreign Application Priority Data**

May 26, 2017 (DE) 20 2017 002 805

(51) **LOC (12) Cl.** **24-02**

(52) **U.S. Cl.**
USPC **D24/112**

(58) **Field of Classification Search**
USPC D24/112-114, 108, 130, 127, 133, 186;
606/181, 185; 604/264, 523-528, 272,
604/164.01-164.11, 187, 93.01; 600/101,
600/139, 143; 128/200.24, 207.14,
128/207.15
CPC .. A61M 25/065; A61M 5/42; A61M 25/0612;
A61M 25/00; A61M 39/00; A61M 27/00;
A61M 25/0043; A61M 25/0067; A61M
25/0097; A61F 2/958

See application file for complete search history.

(56) **References Cited**

U.S. PATENT DOCUMENTS

D451,597 S * 12/2001 Suh D24/108
D515,208 S * 2/2006 Tarumi D24/114
D542,910 S * 5/2007 MacRae D24/108
D634,002 S * 3/2011 Laerdal D24/108

(57) **CLAIM**

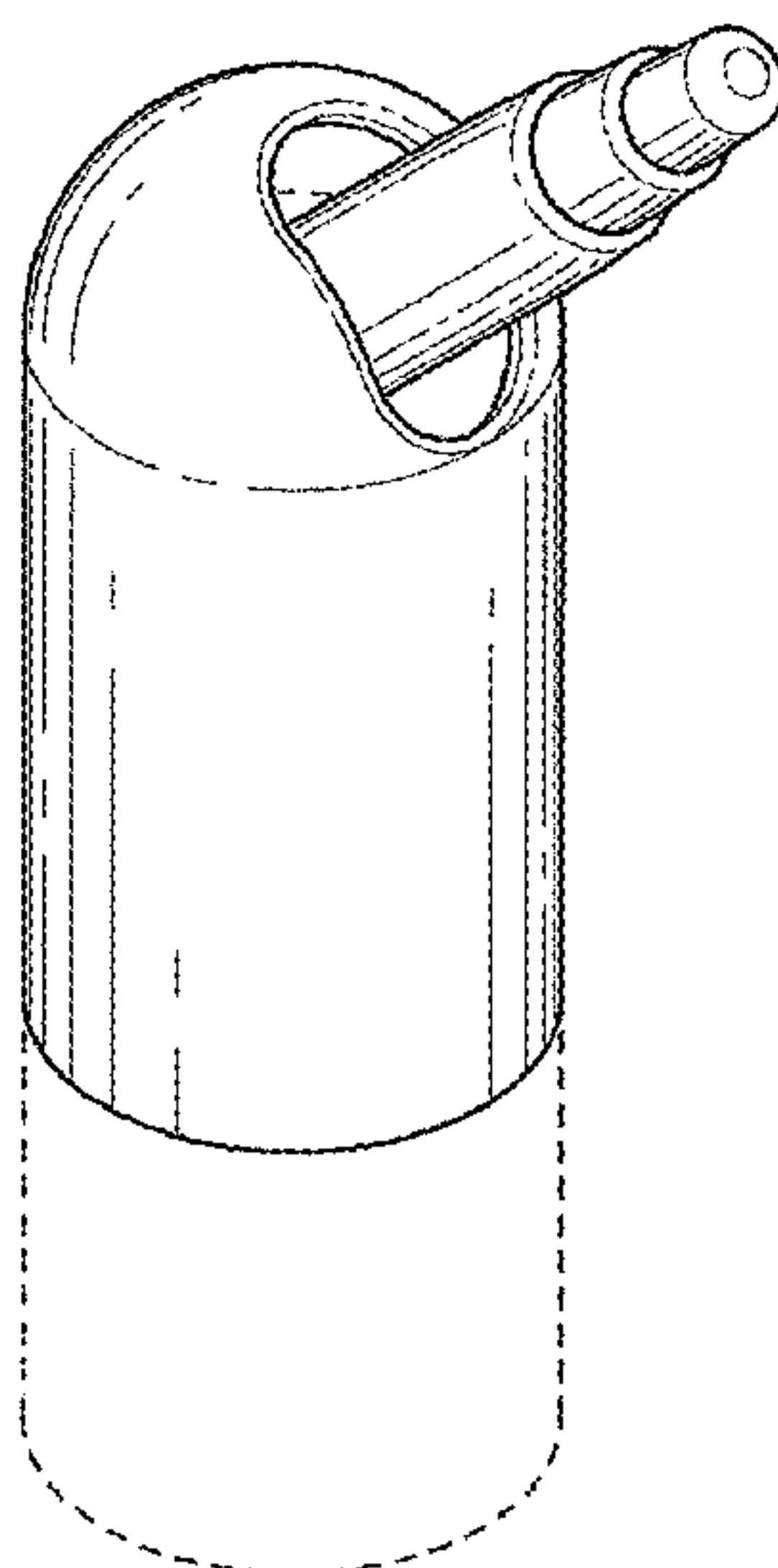
The ornamental design for an applicator for dental use, as shown and described.

DESCRIPTION

FIG. 1 is a perspective view of an applicator for dental use; FIG. 2 is a left side view of the applicator for dental use of FIG. 1; FIG. 3 is a front view of the applicator for dental use of FIG. 1; FIG. 4 is a right side view of the applicator for dental use of FIG. 1; FIG. 5 is a rear view of the applicator for dental use of FIG. 1; FIG. 6 is a top view of the applicator for dental use of FIG. 1; and, FIG. 7 is a bottom view of the applicator for dental use of FIG. 1.

The broken lines that are included in FIGS. 1-7 of the drawings denote aspects of the applicator for dental use that form no part of the claimed design.

1 Claim, 6 Drawing Sheets



(56)

References Cited

U.S. PATENT DOCUMENTS

D821,567 S * 6/2018 Feldman D24/108
D824,023 S * 7/2018 Grimoldby D24/113

* cited by examiner

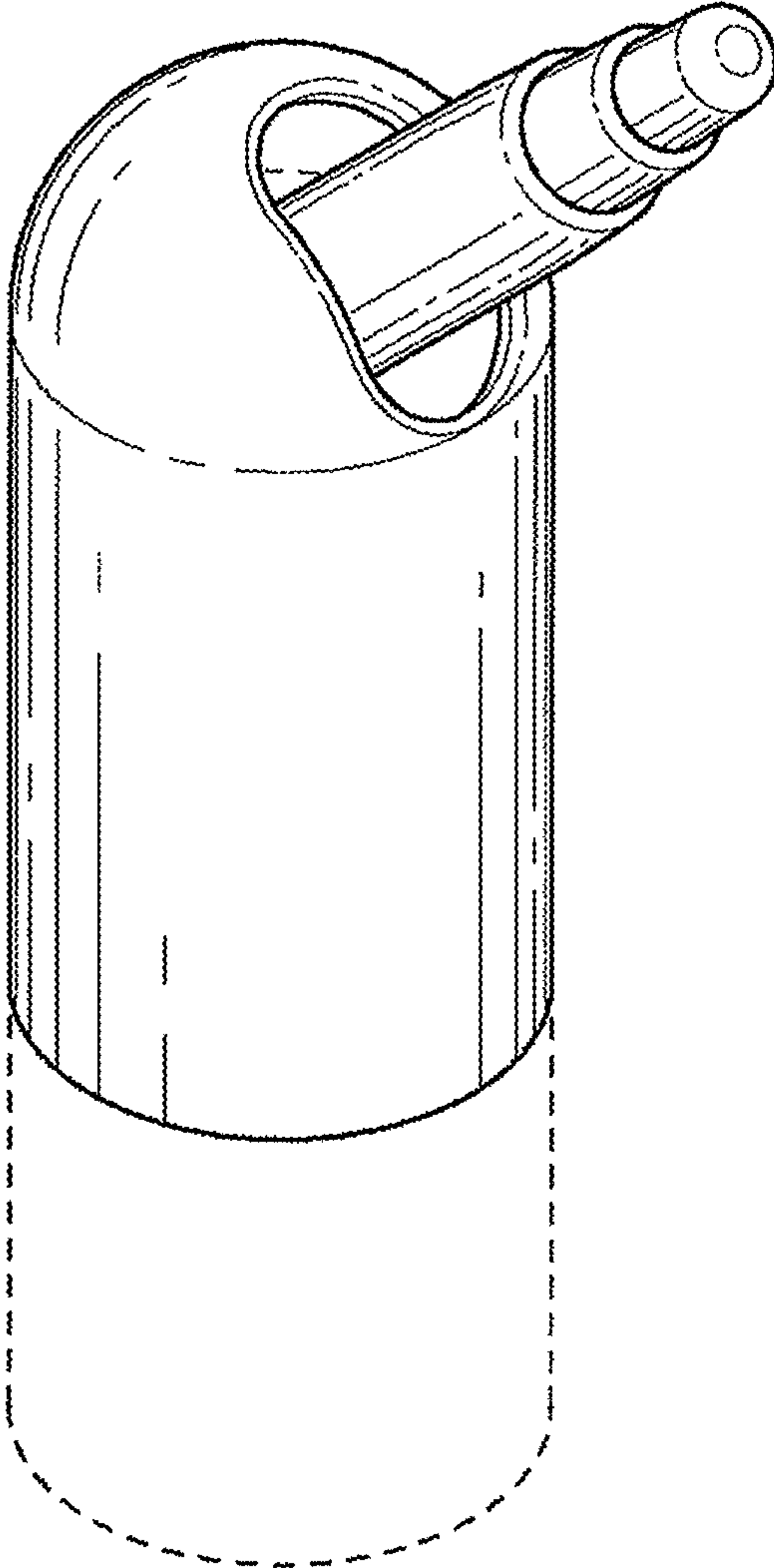


Fig. 1

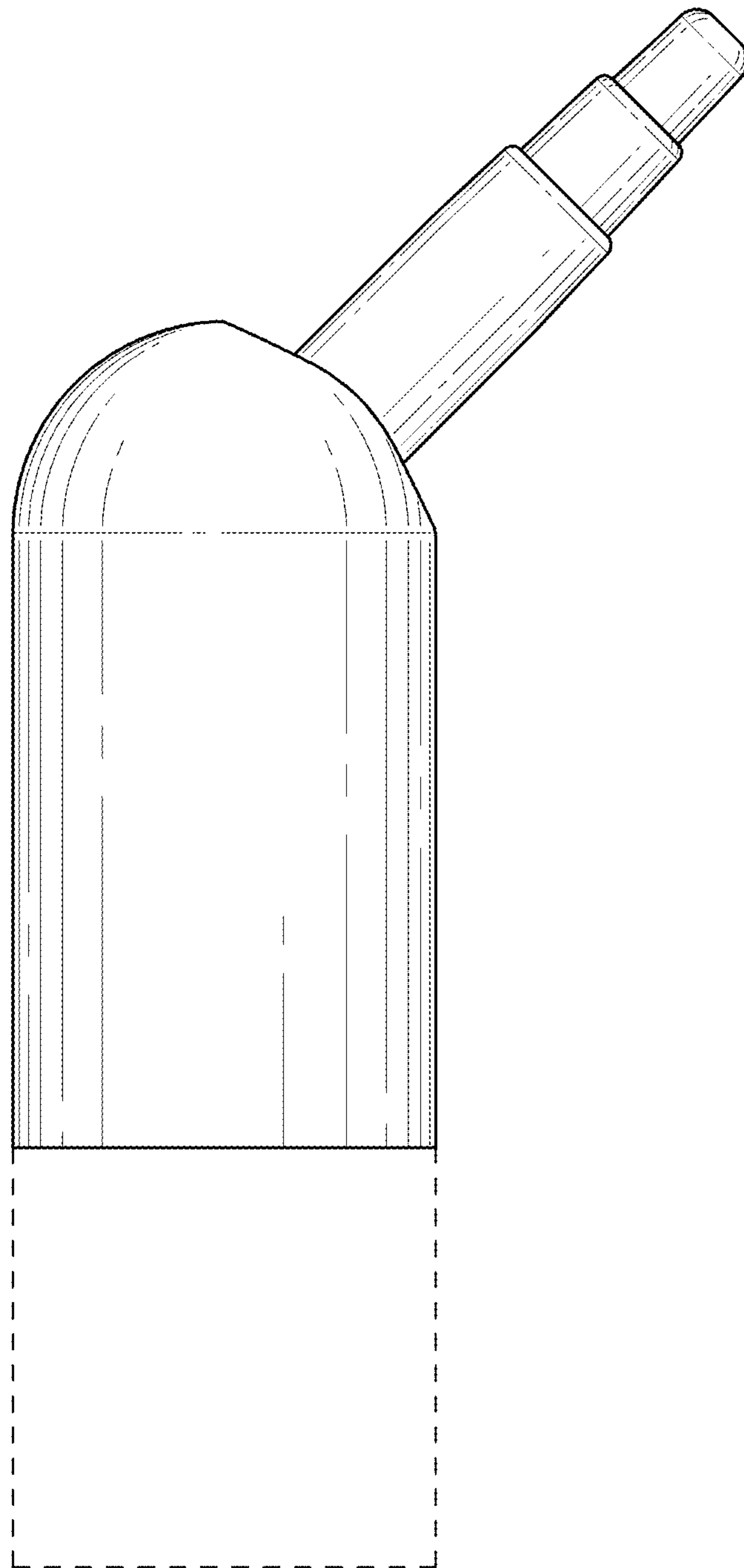


Fig. 2

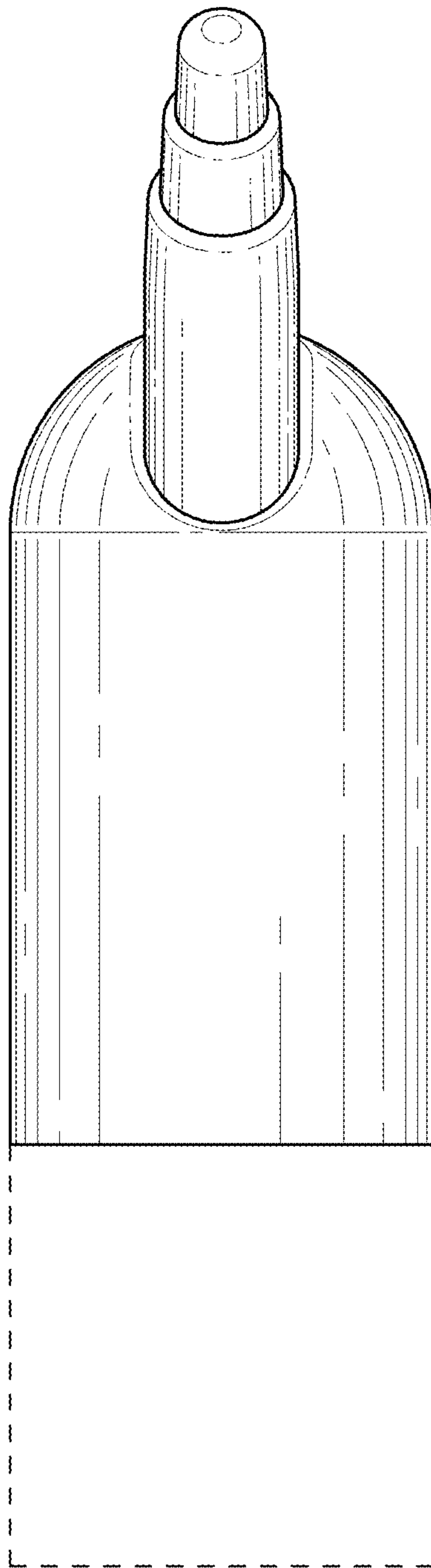


Fig. 3

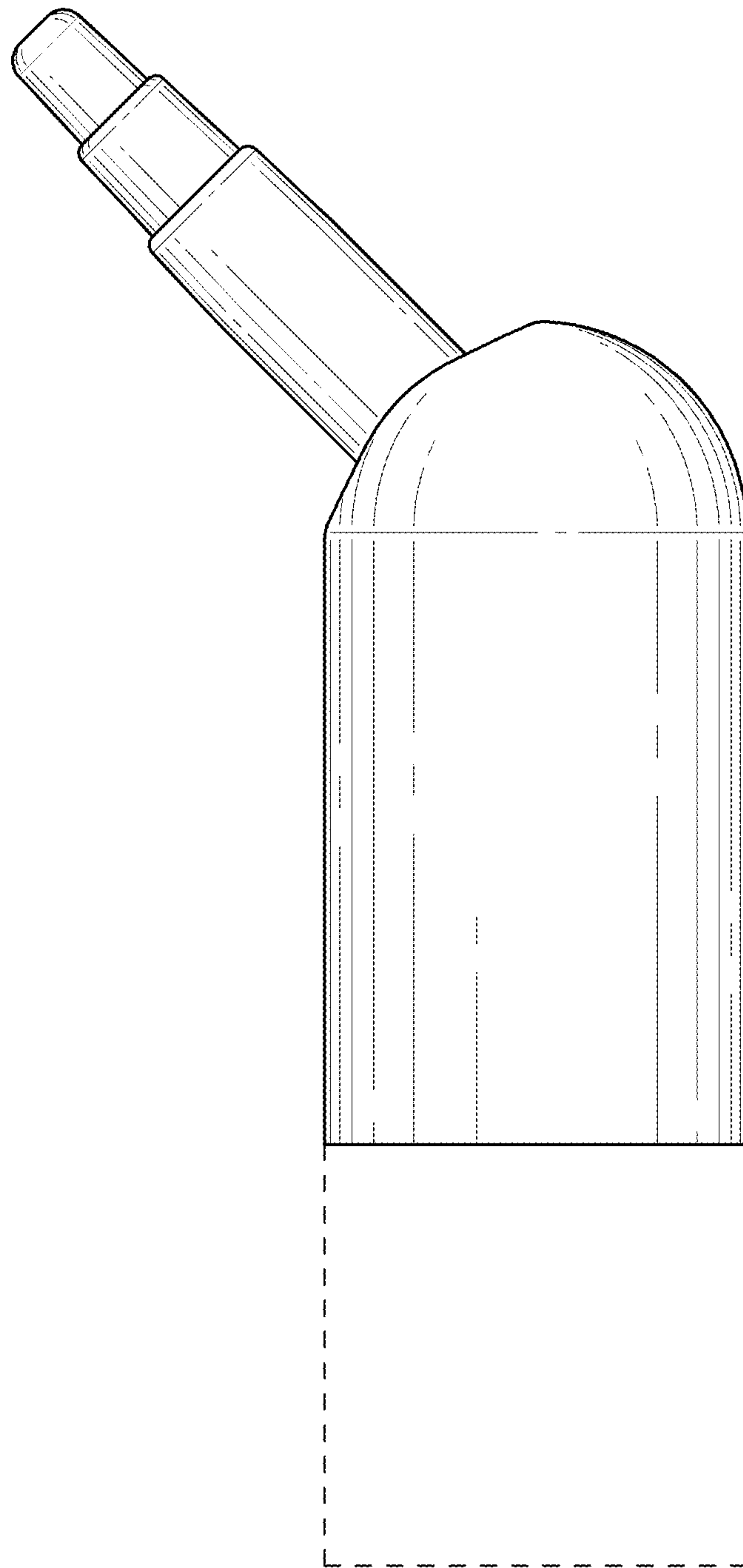


Fig. 4

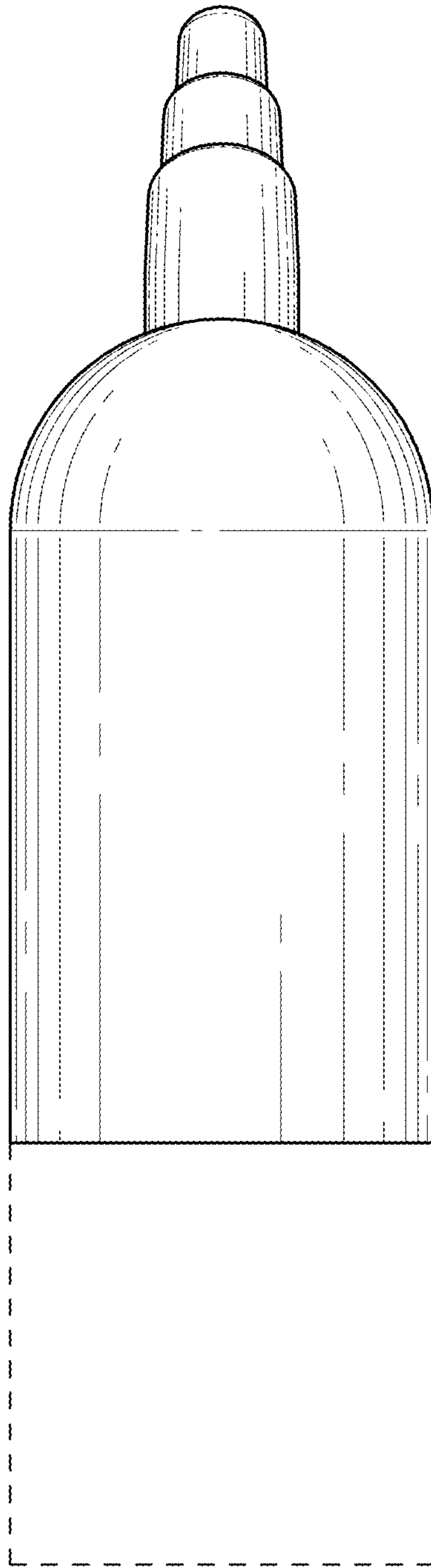


Fig. 5

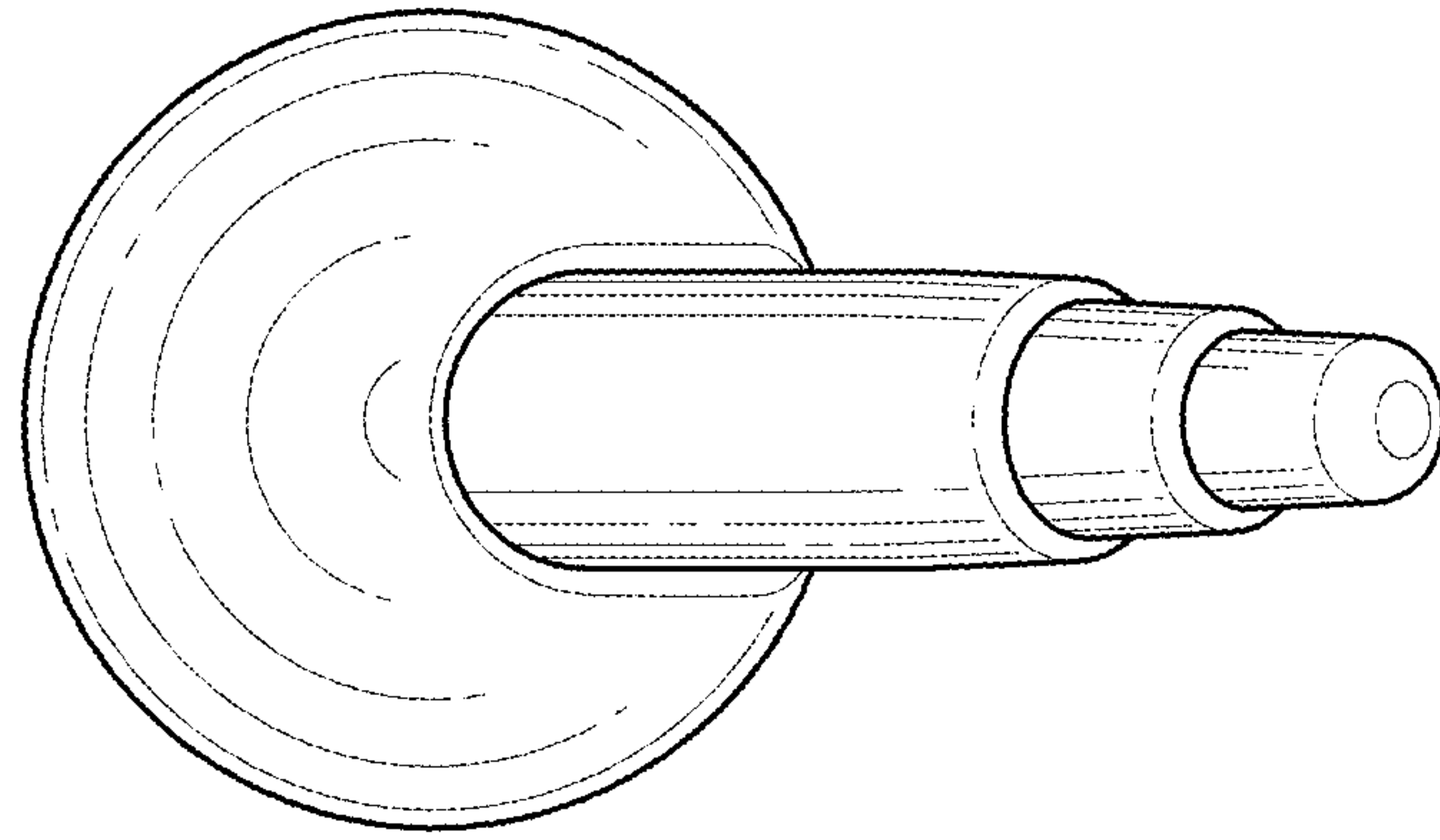


Fig. 6

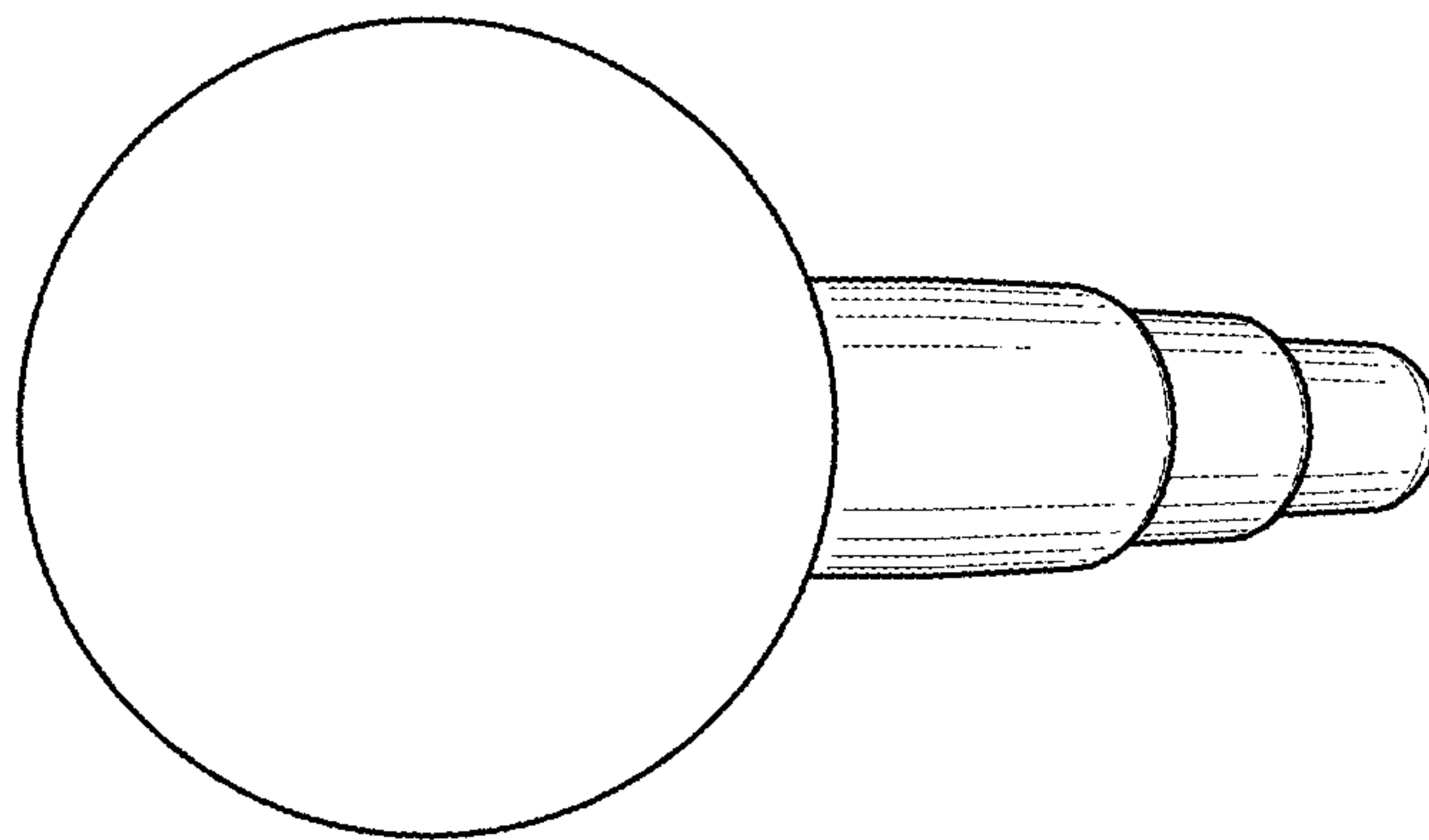


Fig. 7