



US00D884876S

(12) **United States Design Patent**  
**Jung et al.**

(10) **Patent No.:** **US D884,876 S**

(45) **Date of Patent:** **\*\* May 19, 2020**

(54) **INHALER**

(71) Applicants: **Timo Jung**, Radolfzell (DE); **Jutta Schwarz**, Stockach (DE)

(72) Inventors: **Timo Jung**, Radolfzell (DE); **Jutta Schwarz**, Stockach (DE)

(73) Assignee: **Aptar Radolfzell GmbH**, Radolfzell (DE)

(\*\*) Term: **15 Years**

(21) Appl. No.: **29/673,862**

(22) Filed: **Dec. 18, 2018**

(30) **Foreign Application Priority Data**

Jun. 18, 2018 (EM) ..... 005314341

(51) **LOC (12) Cl.** ..... **29-02**

(52) **U.S. Cl.**  
USPC ..... **D24/110**

(58) **Field of Classification Search**  
USPC .... D24/110-110.6, 127, 129, 107, 108, 164;  
D29/108, 109  
CPC ..... A61M 16/0616; A61M 16/0633; A61M  
16/06; A61M 16/0666; A61M 16/0683;  
A61M 16/0605; A61M 16/0622; A61M  
16/0644; A61M 16/0875; A61M 16/0816;  
A61M 16/08; A61M 15/0085; A61M  
15/0005; A61M 11/005; A61M 11/00;  
A61M 11/02; A61M 11/04; A61M 5/087;  
A61M 5/0871; A61M 5/091; A61M  
5/097; A61M 15/00; A61M 15/0065;  
A61M 15/0091; A61M 15/0021; A61M  
15/0026; A61M 15/008; A61M 15/007;  
B63C 11/205; B63C 11/16; B63C 11/186;  
B63C 11/12; A63B 23/18

See application file for complete search history.

(56) **References Cited**

U.S. PATENT DOCUMENTS

D191,733 S \* 11/1961 Schmahl ..... D24/110  
3,045,670 A \* 7/1962 Hirtz ..... A61M 16/1075  
128/203.27  
D198,487 S \* 6/1964 Ferris ..... D24/110  
3,695,267 A \* 10/1972 Hirtz ..... A61M 15/00  
128/203.17  
5,357,945 A \* 10/1994 Messina ..... A61M 11/06  
128/200.14  
5,765,553 A \* 6/1998 Richards ..... A61M 16/06  
128/200.14  
D471,106 S \* 3/2003 Pannozzo ..... D9/448  
D478,285 S \* 8/2003 Pannozzo ..... D9/448  
D478,660 S \* 8/2003 Mault ..... D24/110.1

(Continued)

OTHER PUBLICATIONS

U.S. Appl. No. 29/673,849, filed Dec. 18, 2018.  
U.S. Appl. No. 29/673,860, filed Dec. 18, 2018.

*Primary Examiner* — Sheryl Lane  
*Assistant Examiner* — Aula Soroush  
(74) *Attorney, Agent, or Firm* — Flynn Thiel, P.C.

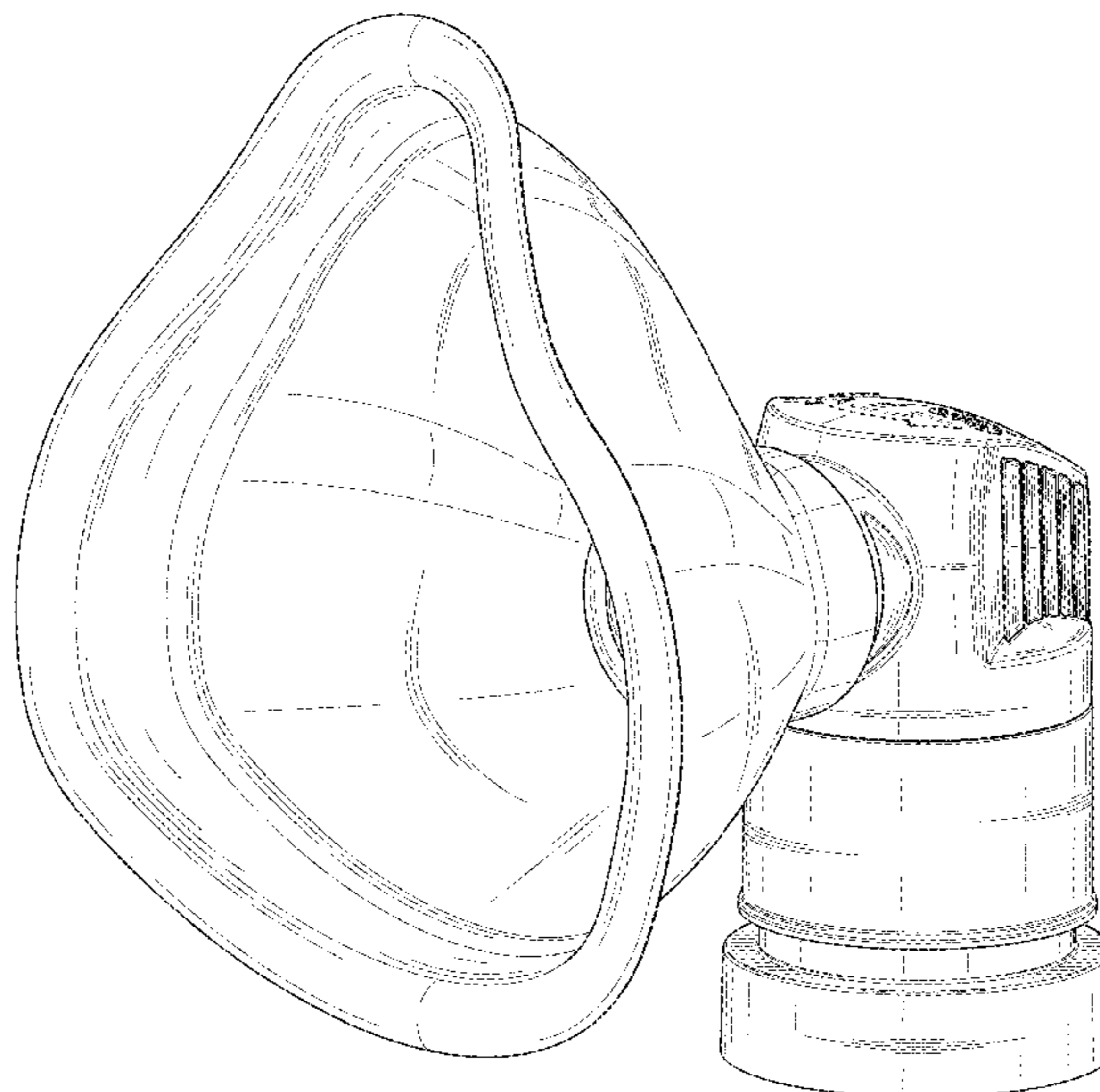
(57) **CLAIM**

The ornamental design for an inhaler, as shown and described.

**DESCRIPTION**

FIG. 1 is a perspective view of an inhaler showing our new design;  
FIG. 2 is a front view thereof;  
FIG. 3 is a rear view thereof;  
FIG. 4 is a right side view thereof;  
FIG. 5 is a left side view thereof;  
FIG. 6 is a top view thereof; and,  
FIG. 7 is a bottom view thereof.  
The broken lines illustrating portions of the inhaler are for environmental purposes only and form no part of the claimed design.

**1 Claim, 7 Drawing Sheets**



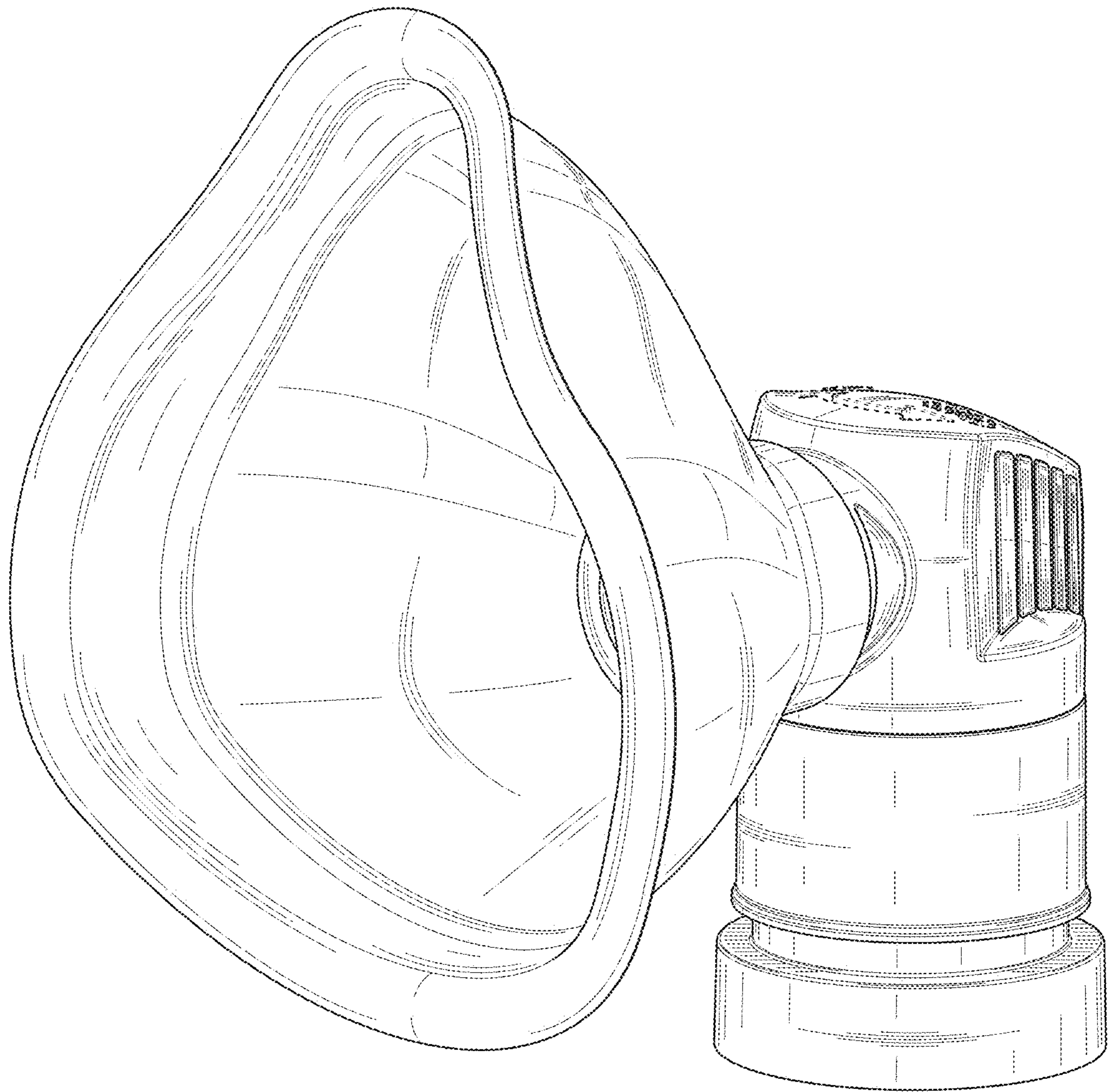
(56)

**References Cited**

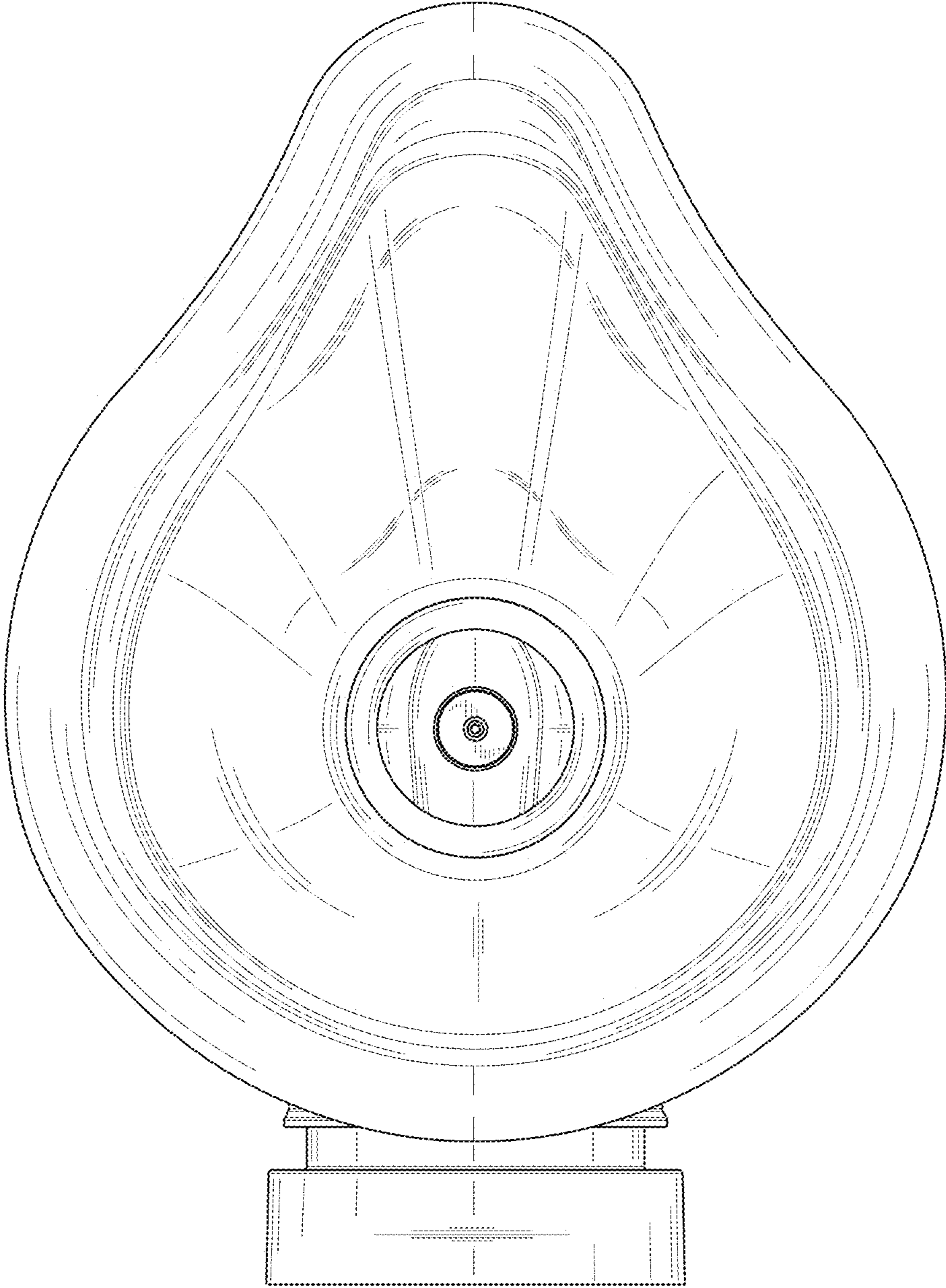
U.S. PATENT DOCUMENTS

D576,874 S \* 9/2008 Miller ..... D9/448  
D587,576 S \* 3/2009 Miller ..... D9/448  
D638,117 S \* 5/2011 Eckstein ..... D24/110  
D666,094 S \* 8/2012 Cho ..... D9/448  
8,286,629 B2 \* 10/2012 Esaki ..... A61M 11/06  
128/200.14  
D717,424 S \* 11/2014 Steelman ..... D24/110  
D752,206 S \* 3/2016 Genord ..... D24/110  
D757,926 S \* 5/2016 Van Sickle ..... D24/110  
D773,034 S \* 11/2016 Allnut ..... D24/110  
D773,035 S \* 11/2016 Neuner ..... D24/110

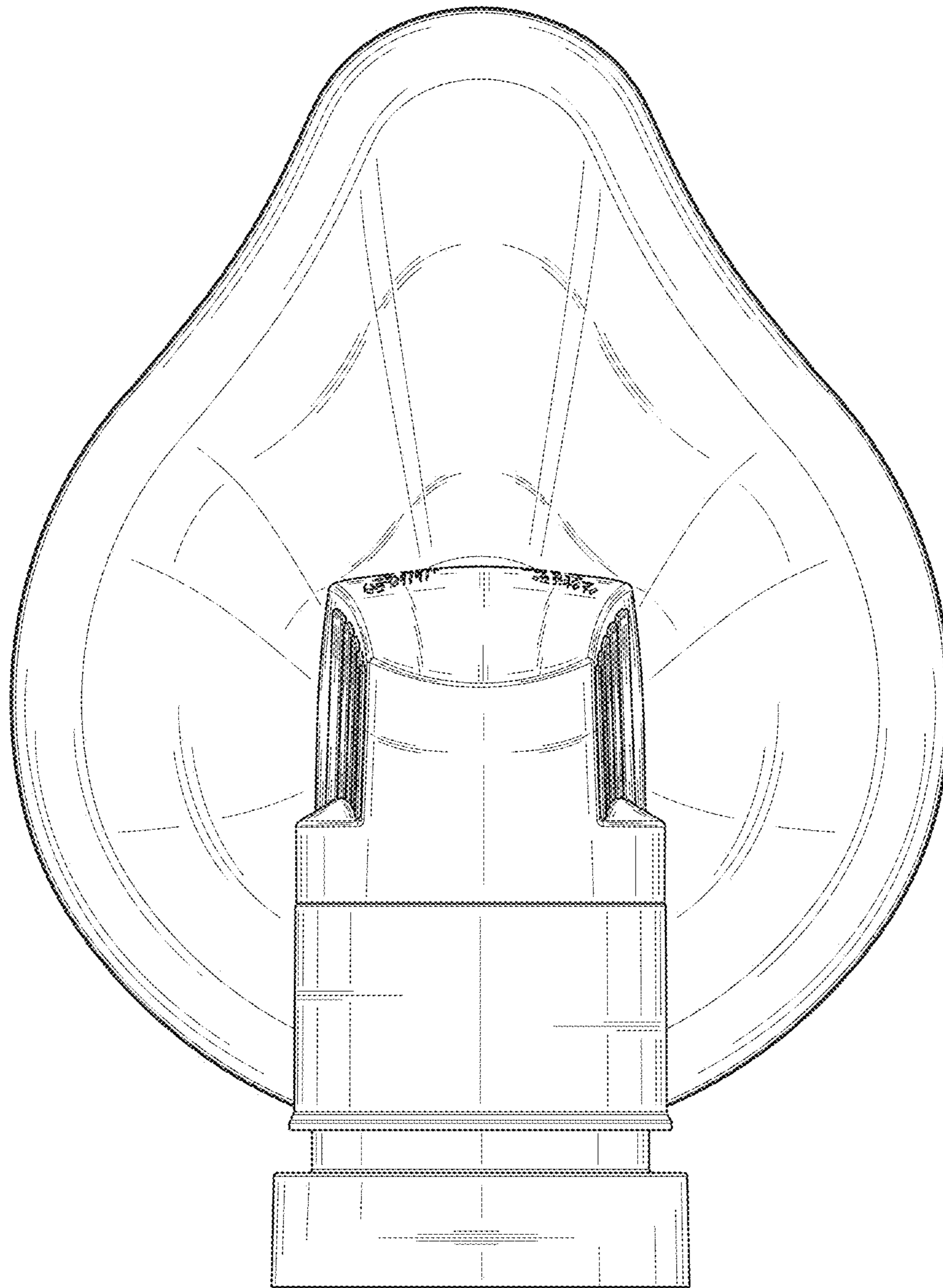
\* cited by examiner



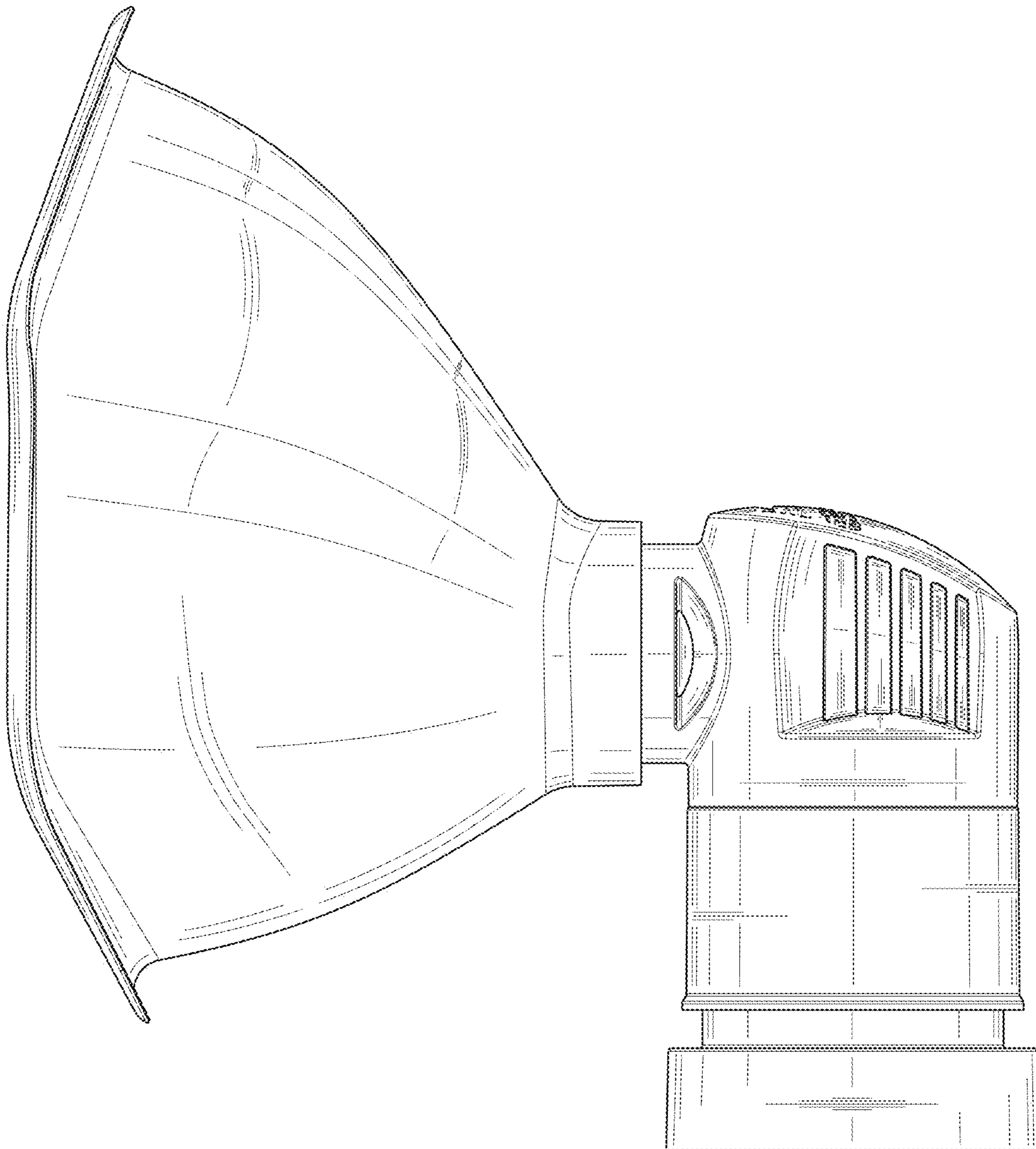
**FIG. 1**



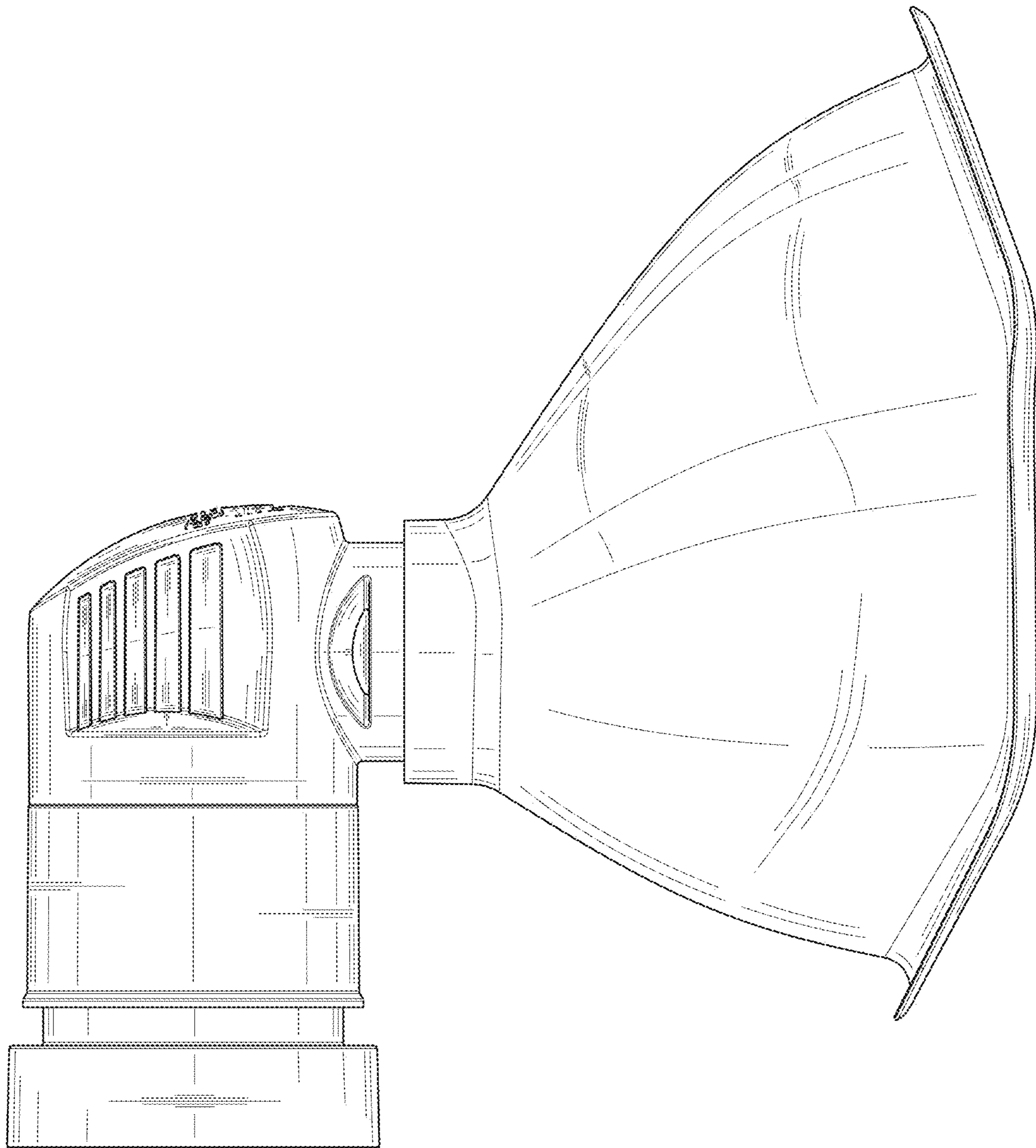
**FIG. 2**



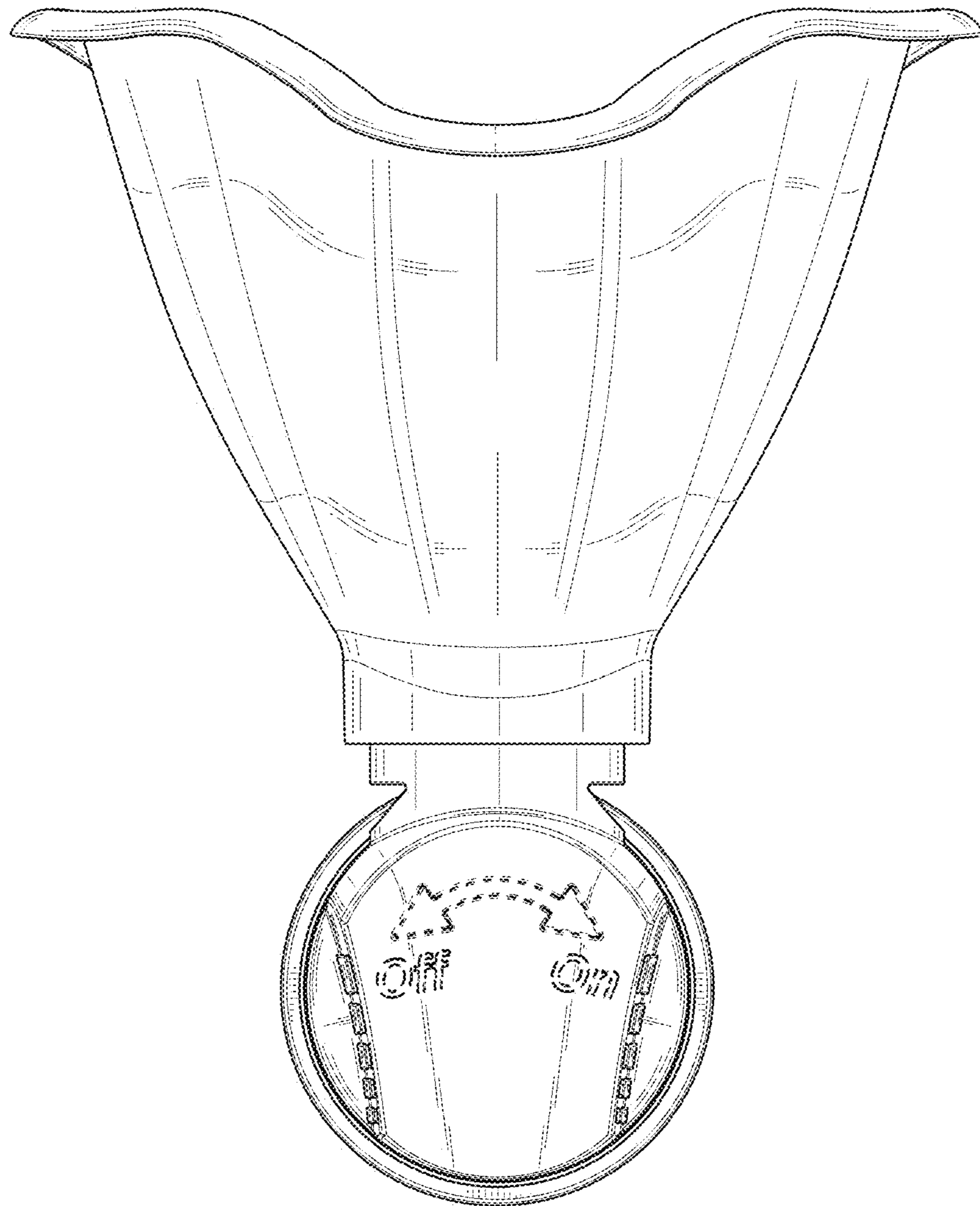
**FIG. 3**



**FIG. 4**

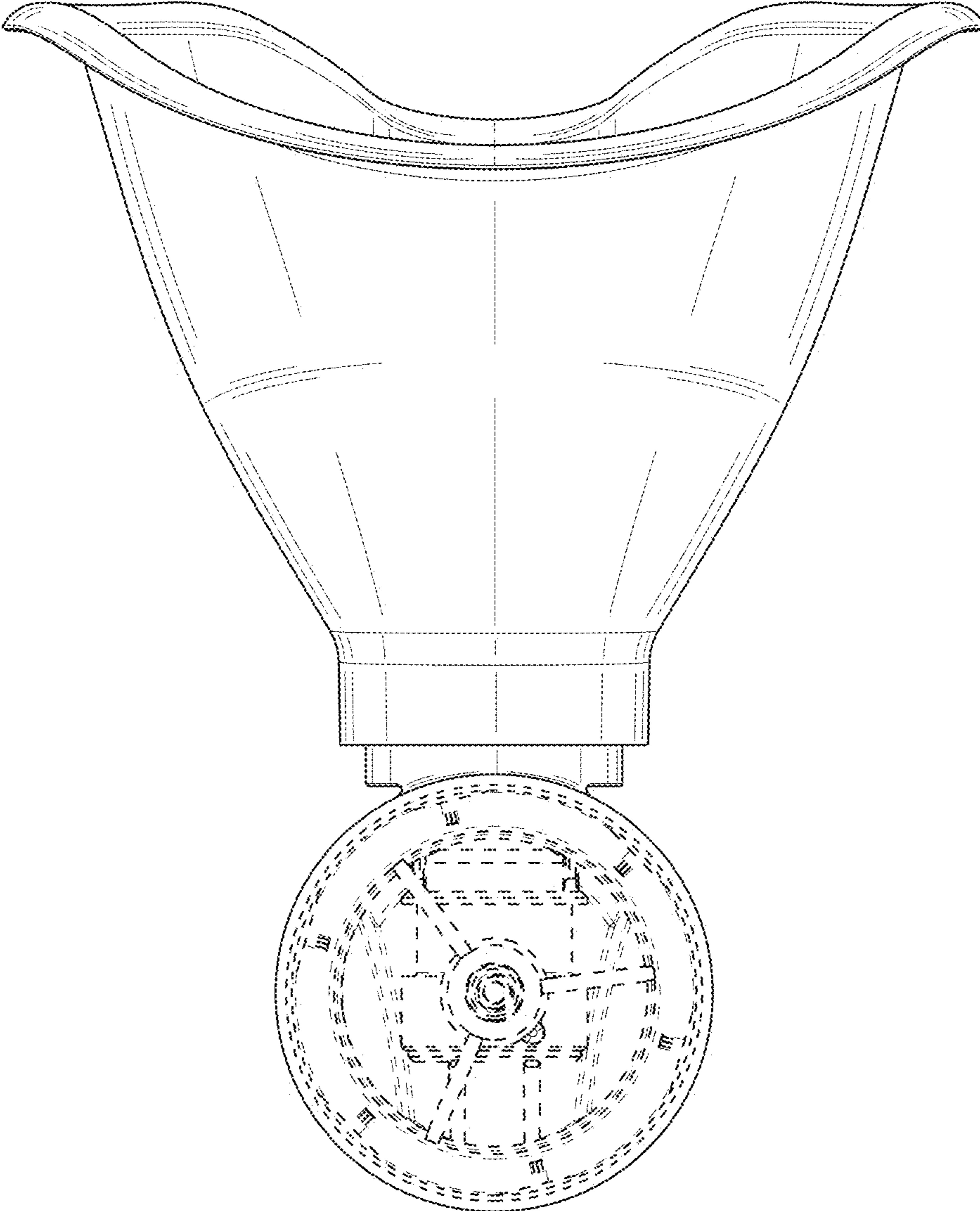


**FIG. 5**



**FIG. 6**





**FIG. 7**