



US00D884875S

(12) **United States Design Patent** (10) **Patent No.:** **US D884,875 S**
Eker et al. (45) **Date of Patent:** **** May 19, 2020**

- (54) **PATIENT ISOLATOR**
- (71) Applicant: **EpiGuard AS**, Gamle Fredrikstad (NO)
- (72) Inventors: **Bard Eker**, Gamle Fredrikstad (NO); **Robert Silesius**, Gamle Fredrikstad (NO); **Fridtjof Heyerdahl**, Gamle Fredrikstad (NO); **Victor Rosenvinge**, Gamle Fredrikstad (NO); **Ronald Rolfsen**, Oslo (NO); **Espen Rostrup Nakstad**, Oslo (NO)
- (73) Assignee: **EPIGUARD AS**, Gamle Fredrikstad (NO)
- (**) Term: **15 Years**
- (21) Appl. No.: **29/622,978**
- (22) Filed: **Oct. 20, 2017**

Related U.S. Application Data

- (62) Division of application No. 35/500,961, filed on Nov. 16, 2015 (U.S. filing date under 35 U.S.C. 384), and having an international filing date of Nov. 16, 2015, now Pat. No. Des. 829,884.
- (51) **LOC (12) Cl.** **24-01**
- (52) **U.S. Cl.**
USPC **D24/107**
- (58) **Field of Classification Search**
USPC D24/107, 183, 184, 231, 201-203, 163;
D21/835, 838
CPC A61G 10/04; A61G 10/05; A61G 10/026;
A61G 13/108
See application file for complete search history.

(56) **References Cited**

U.S. PATENT DOCUMENTS

2,104,589 A	1/1938	Hartman
D111,283 S	9/1938	Gellman
D138,411 S	8/1944	Armstrong

D168,136 S	11/1952	Armstrong et al.
2,699,826 A	1/1955	Emerson
D182,394 S *	4/1958	Adolphson D24/163
D193,051 S	6/1962	Jacobs
3,051,163 A	8/1962	Trexler
3,051,164 A	8/1962	Trexler
D201,167 S	5/1965	Gower, III

(Continued)

FOREIGN PATENT DOCUMENTS

CN	1539394 A	10/2004
CN	101843545 A	9/2010

(Continued)

OTHER PUBLICATIONS

Summary of Third Party Manufacturers of Patient Isolation Units, 10 pages, May 18, 2015.

(Continued)

Primary Examiner — Holly E Thurman
(74) *Attorney, Agent, or Firm* — Fay Sharpe LLP

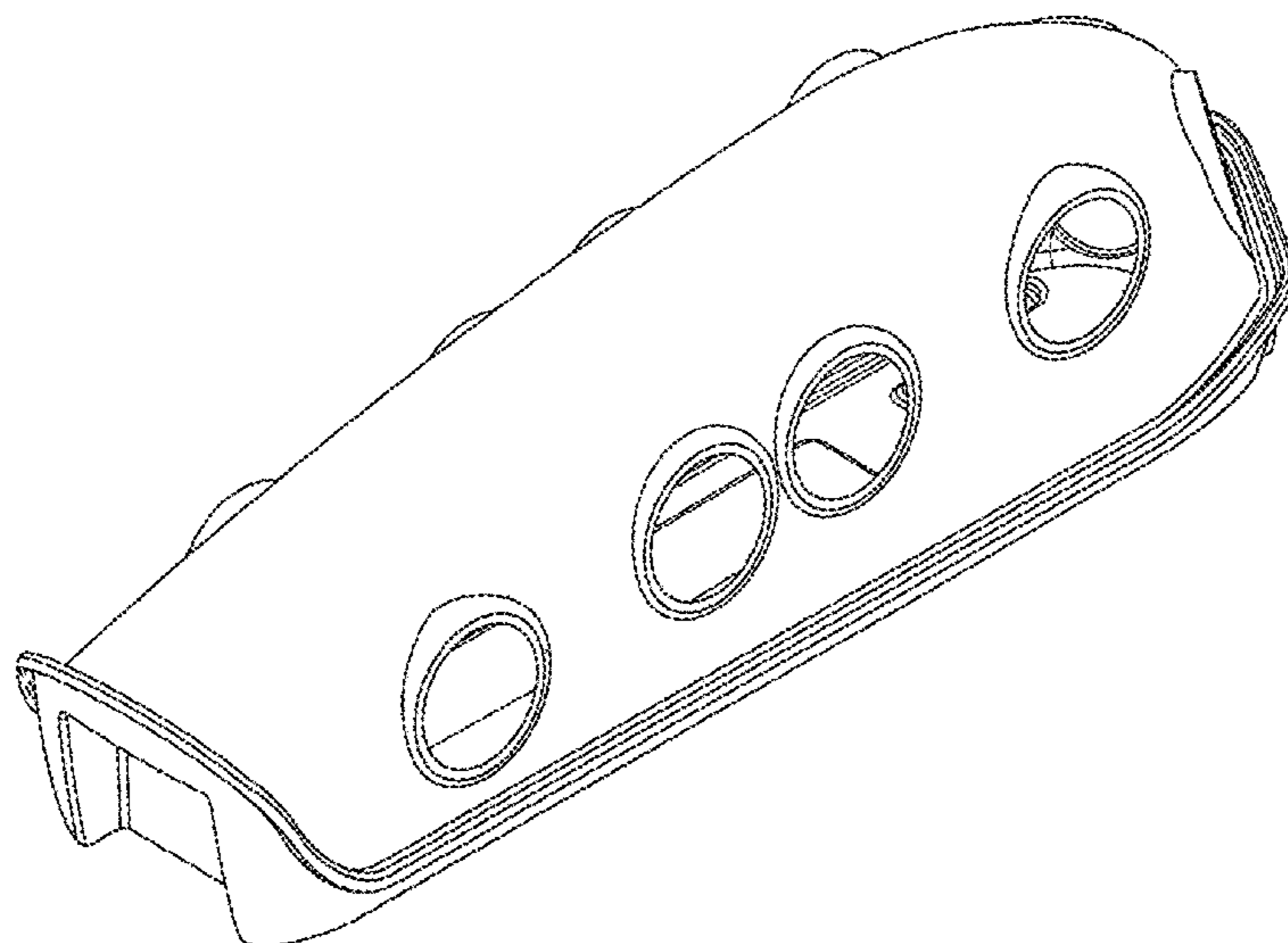
(57) **CLAIM**

The ornamental design for a patient isolator, as shown and described.

DESCRIPTION

FIG. 1 is a bottom perspective view of the patient isolator according to our new design;
FIG. 2 is a bottom plan view thereof;
FIG. 3 is a front elevation view thereof;
FIG. 4 is a rear elevation view thereof;
FIG. 5 is a left side view thereof;
FIG. 5 is a right side view thereof;
FIG. 7 is a top perspective view thereof; and,
FIG. 8 is a top plan view thereof.
The portions of the patient isolator shown in broken lines form no part of the claimed design.

1 Claim, 8 Drawing Sheets



(56)

References Cited

U.S. PATENT DOCUMENTS

D202,083 S 8/1965 Berlin
 3,272,199 A 9/1966 Matthews
 3,326,203 A * 6/1967 Goertzel A61G 11/00
 600/22
 3,492,987 A 2/1970 Parker
 3,678,921 A * 7/1972 Brendgord A61G 10/005
 600/21
 3,848,278 A 11/1974 Propst
 4,023,219 A * 5/1977 Shindler A61G 1/00
 5/629
 4,026,286 A 5/1977 Trexler
 4,224,936 A * 9/1980 Cox A61G 10/005
 128/113.1
 4,335,712 A 6/1982 Trexler
 D266,700 S * 10/1982 Higgins D23/277
 5,342,121 A * 8/1994 Koria A61G 10/005
 312/1
 5,626,151 A 5/1997 Linden
 5,728,041 A 3/1998 Fowler, Jr.
 6,321,764 B1 11/2001 Gauger
 6,367,476 B1 4/2002 Conn
 6,418,932 B2 * 7/2002 Paschal, Jr. A61G 10/005
 128/845
 6,461,290 B1 10/2002 Reichman
 6,497,231 B1 12/2002 White
 D482,423 S 11/2003 Newsome
 6,669,626 B1 12/2003 McDonough et al.
 D491,669 S 6/2004 Daffer
 D497,429 S 10/2004 Tetrault
 D522,659 S 6/2006 Cote
 D534,278 S 12/2006 Lu
 D541,423 S 4/2007 Gay
 D548,351 S 8/2007 Weng
 D567,948 S 4/2008 Tierney
 7,503,890 B2 3/2009 Kubicsko
 7,757,689 B2 * 7/2010 Chang B08B 15/026
 128/200.24
 8,007,351 B1 8/2011 Maloney
 D651,714 S 1/2012 Dougherty
 D710,503 S 8/2014 Hudson

D722,381 S 2/2015 Mareguddi
 9,186,232 B1 * 11/2015 Otto A61D 7/00
 10,016,252 B1 * 7/2018 Wren, Sr. A61B 90/40
 D829,884 S * 10/2018 Eker D24/107
 D845,180 S * 4/2019 Lait D12/128
 D851,194 S * 6/2019 Kidson D21/835
 2003/0088911 A1 5/2003 Gedouin
 2004/0177447 A1 9/2004 Love
 2005/0004423 A1 * 1/2005 Shenosky A61G 10/005
 600/21
 2005/0150505 A1 7/2005 Burrow et al.
 2006/0020159 A1 * 1/2006 Ellen A47C 21/08
 600/21
 2007/0056593 A1 3/2007 Kubicsko et al.
 2007/0088241 A1 4/2007 Brustad et al.
 2011/0048424 A1 * 3/2011 Radko A61G 10/026
 128/205.26
 2011/0290257 A1 12/2011 Hillis et al.
 2015/0196423 A1 7/2015 Nadau
 2016/0309916 A1 10/2016 Pothen et al.

FOREIGN PATENT DOCUMENTS

EP 1 523 973 A2 4/2005
 GB 1022831 A 3/1966
 GB 1 425 253 A 2/1976
 GB 2 424 060 A 9/2006
 JP 2010-065726 A 3/2010
 WO WO 98/35614 A1 8/1998
 WO WO 00/38612 A2 7/2000
 WO WO 2006/085936 A2 8/2006

OTHER PUBLICATIONS

International Search Report and Written Opinion of International Application No. PCT/EP2016/077598 dated Mar. 20, 2017, 19 pages.
 Search Report of GB 1520065.2 dated May 16, 2016, 5 pages.
 Search Report of GB 1520065.2 dated Dec. 8, 2016, 2 pages.
 Search Report of GB 1520065.2 dated Dec. 13, 2016, 2 pages.

* cited by examiner

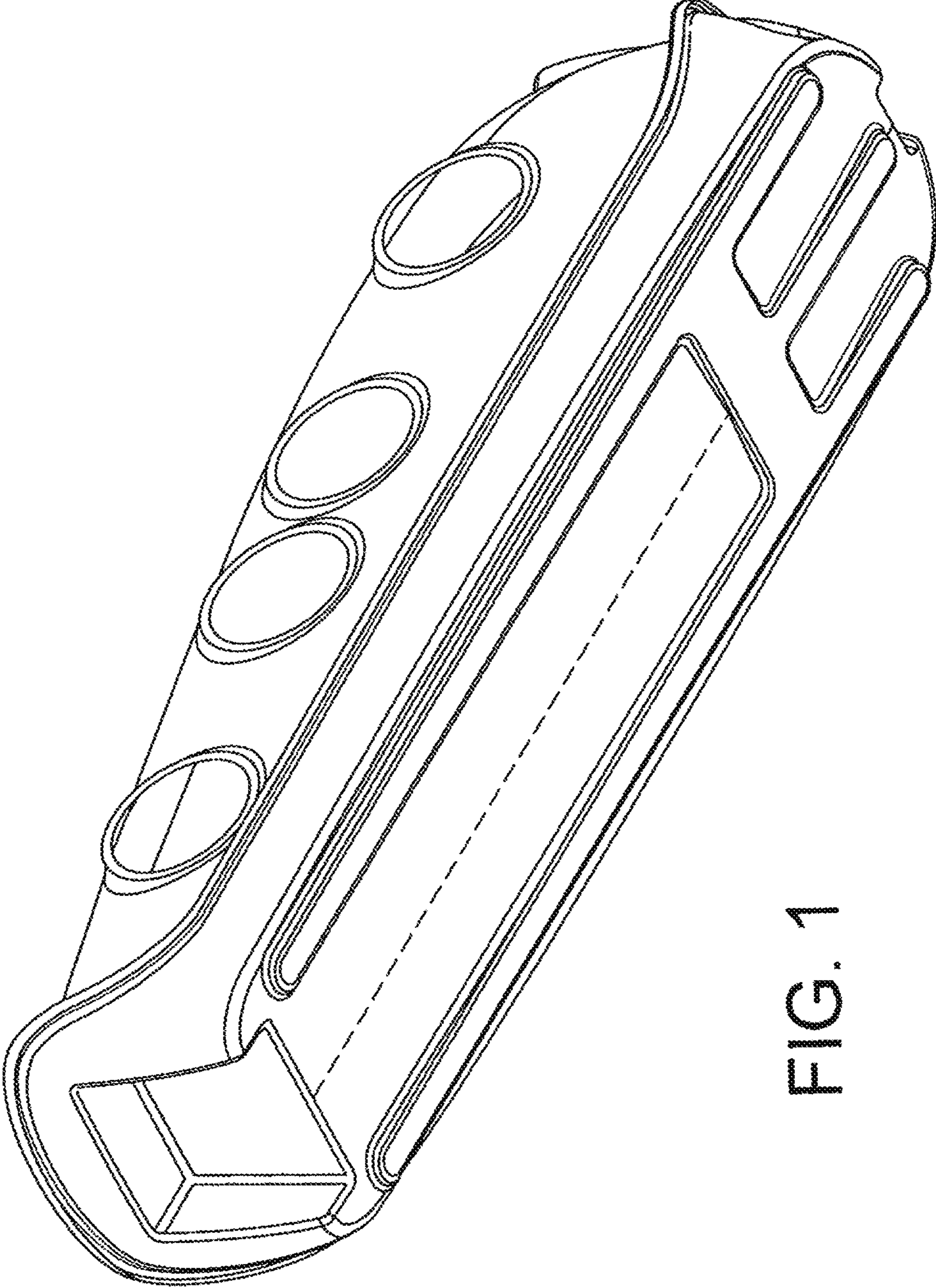


FIG. 1

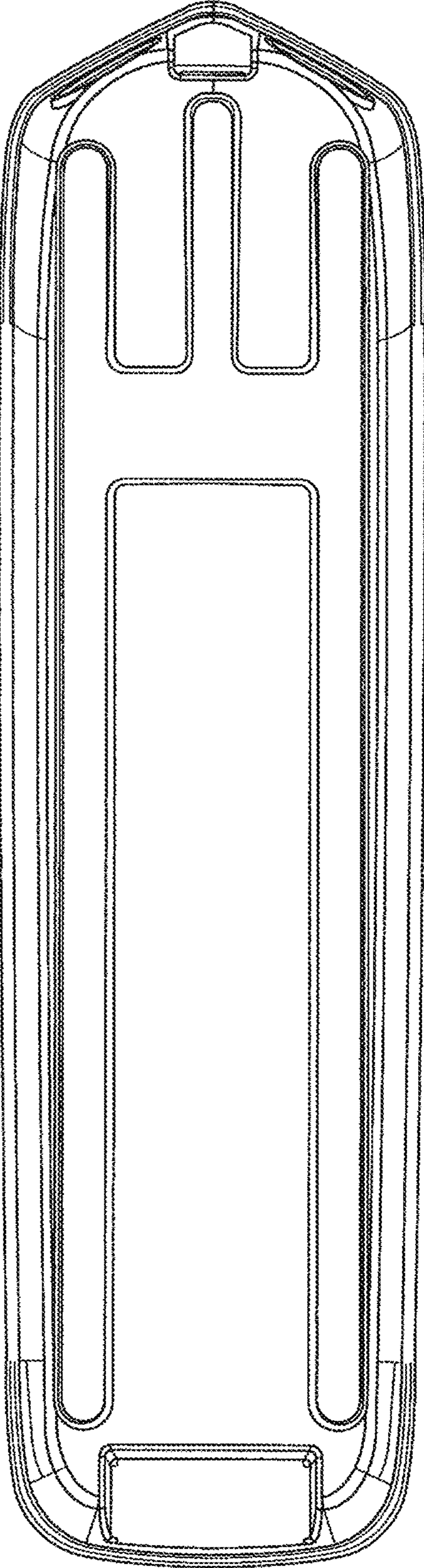


FIG. 2

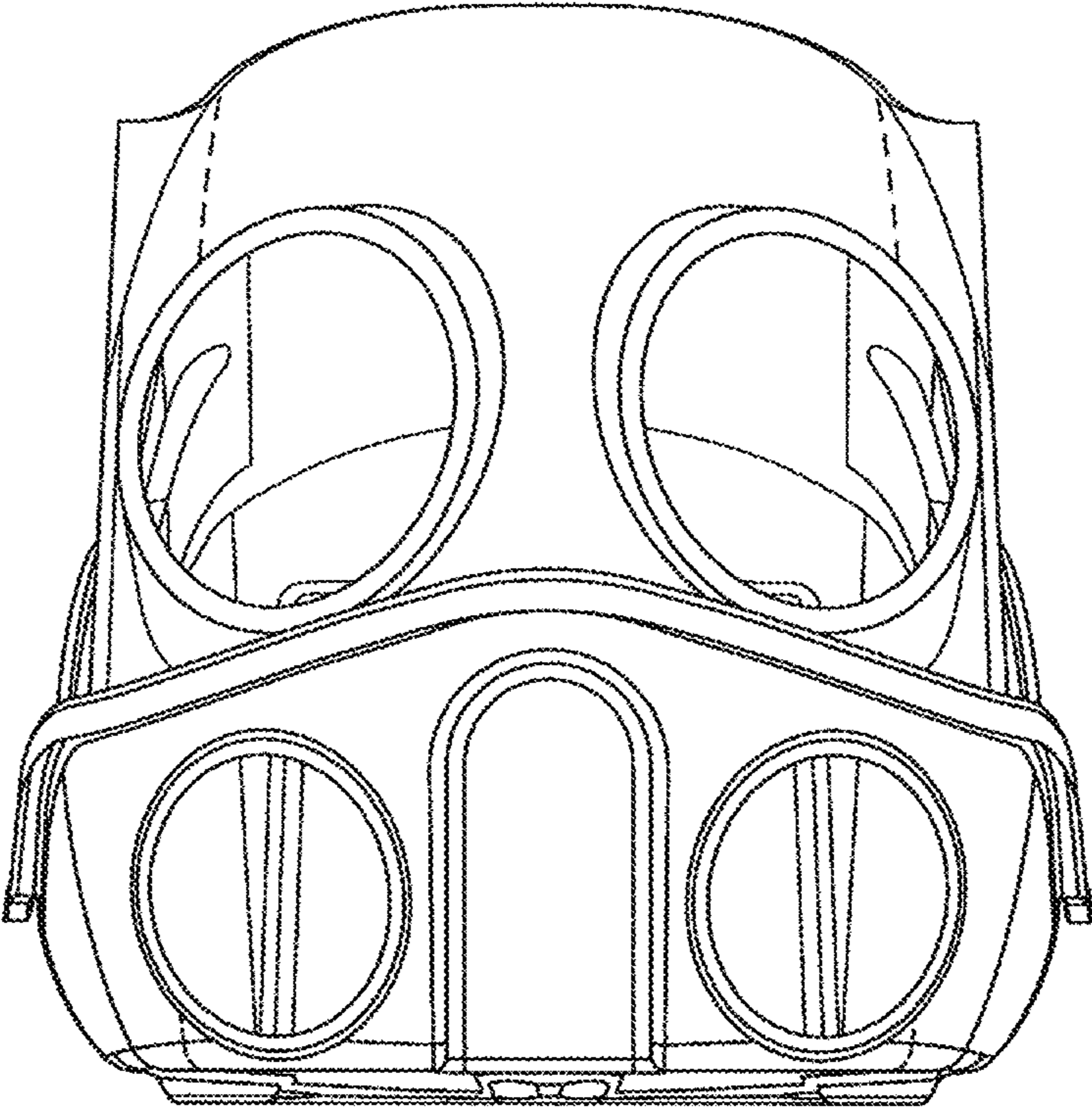


FIG. 3

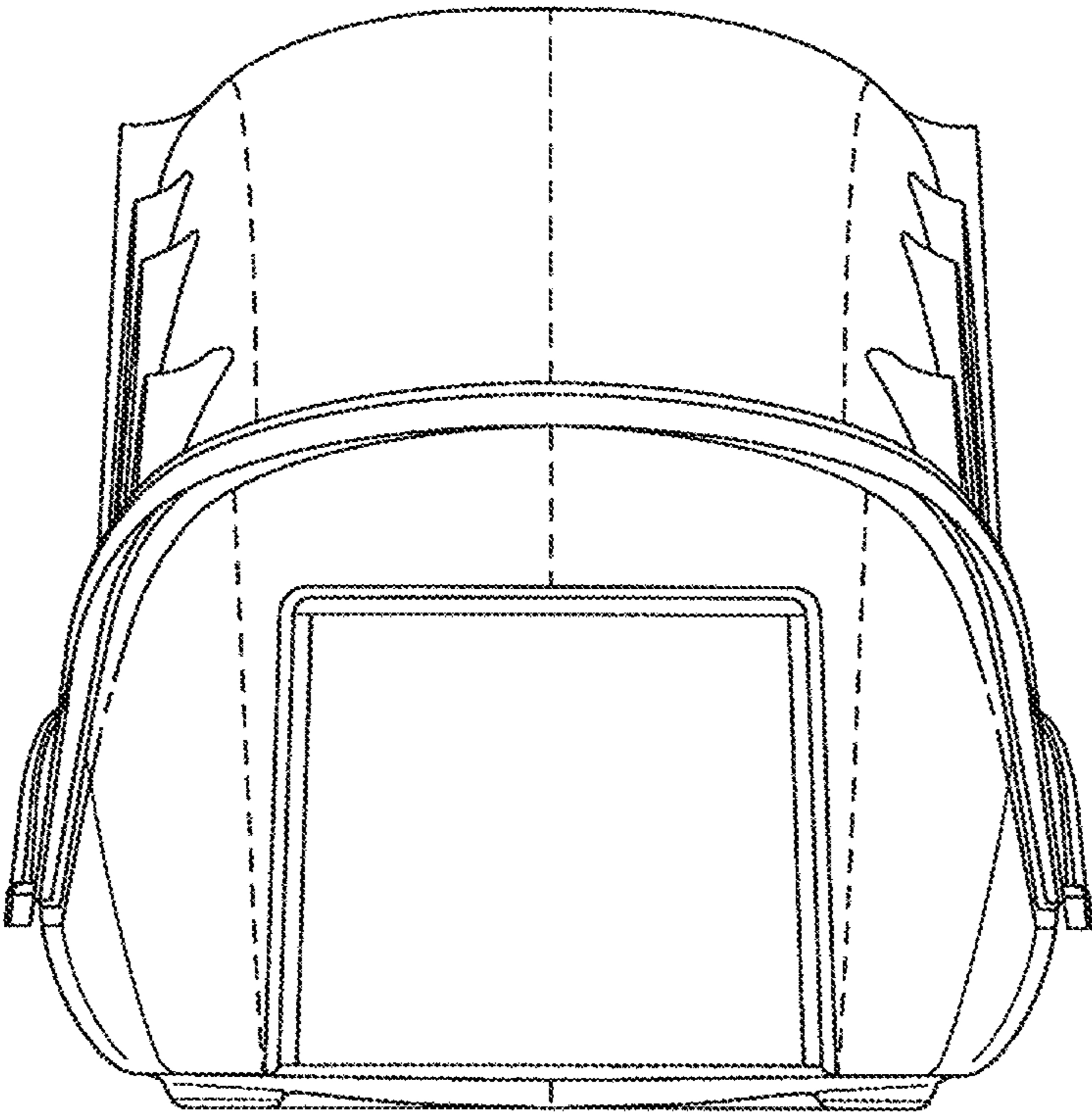


FIG. 4

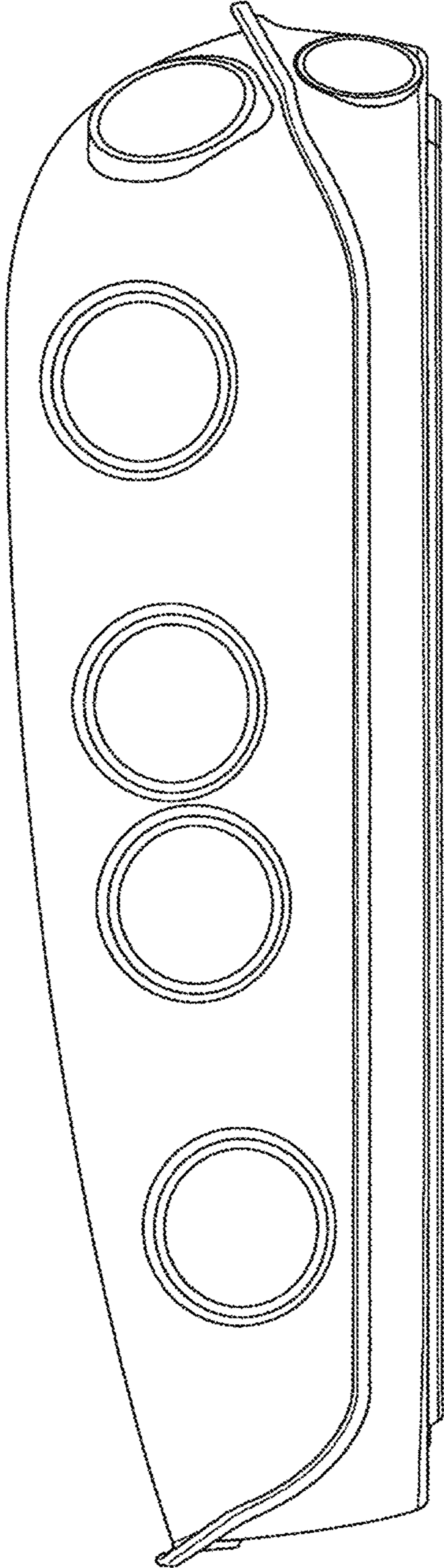


FIG. 5

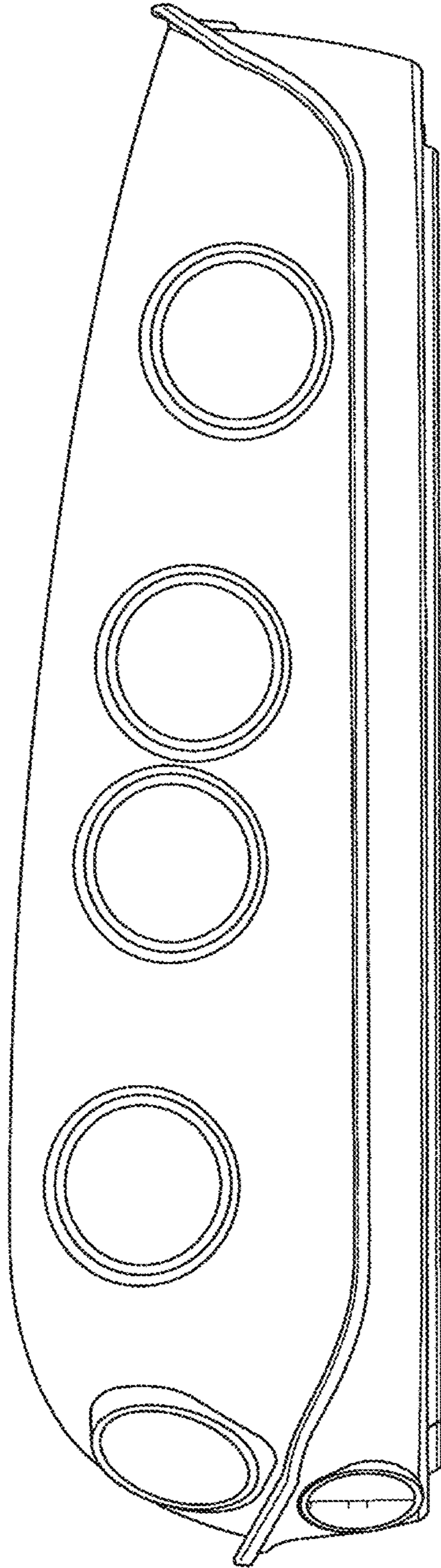


FIG. 6

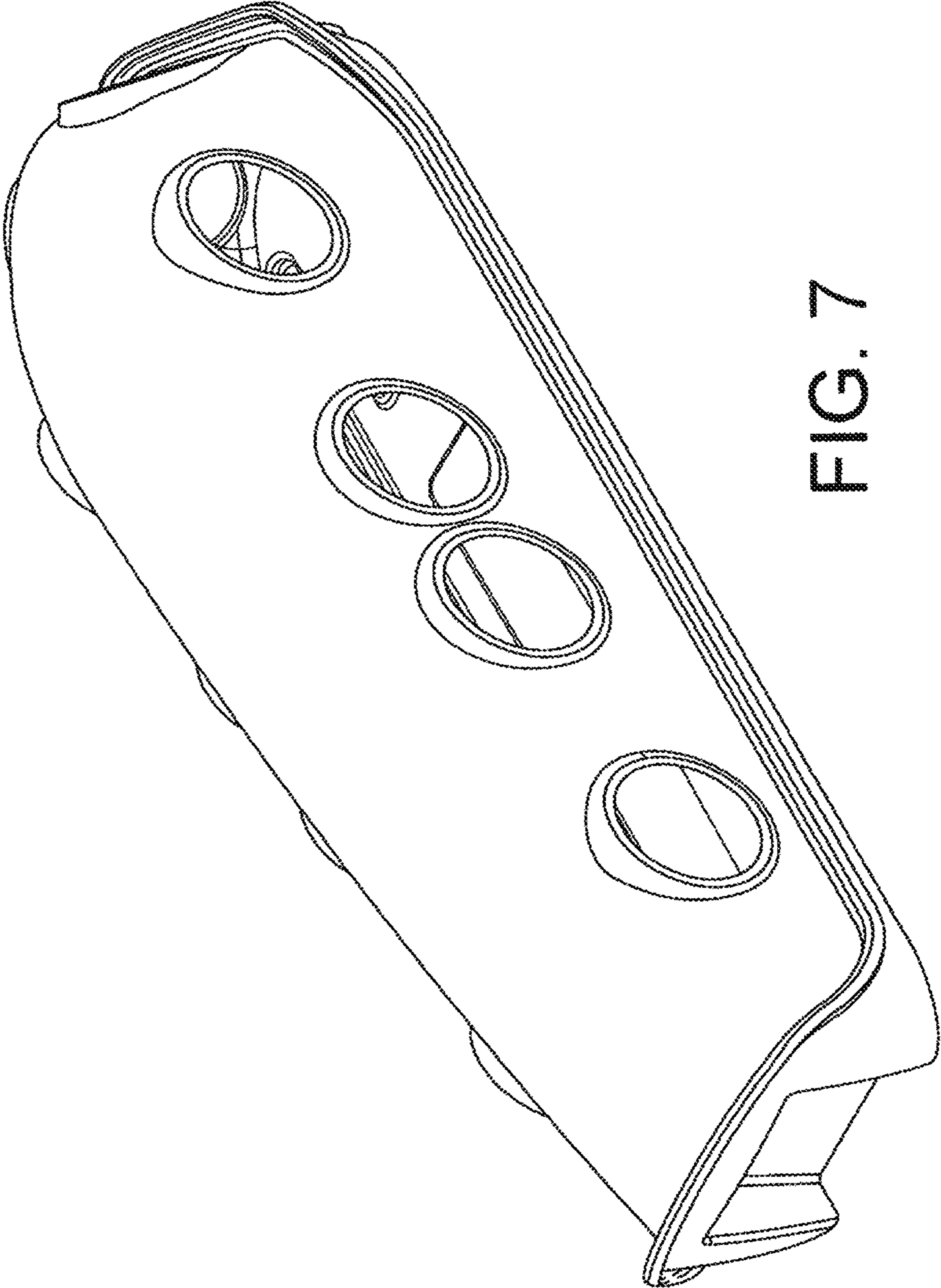


FIG. 7

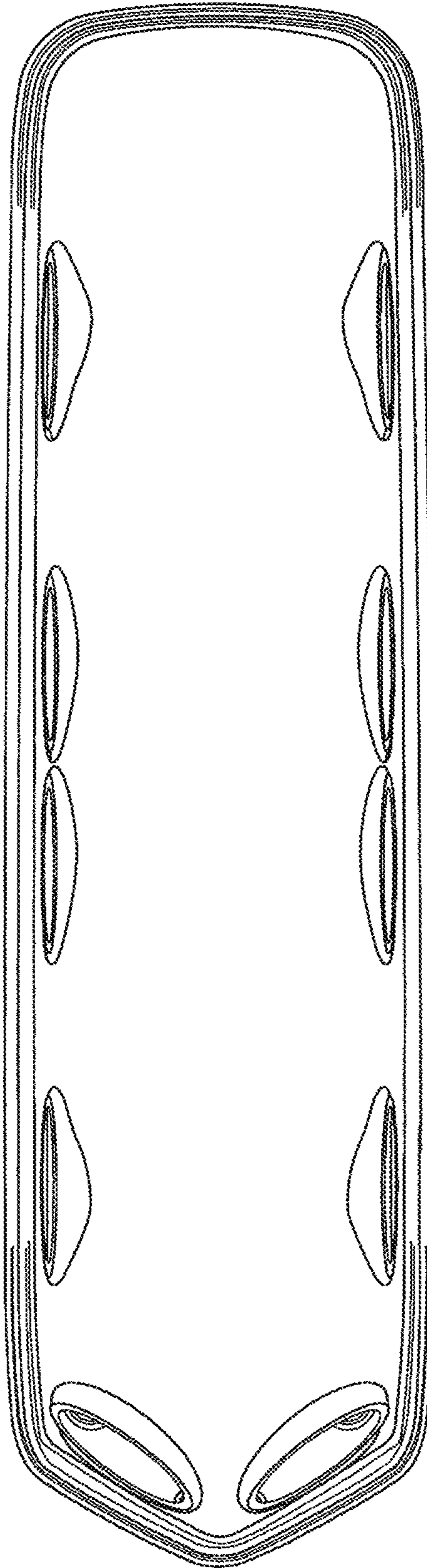


FIG. 8