



US00D884874S

(12) **United States Design Patent** (10) **Patent No.:** **US D884,874 S**
Meng (45) **Date of Patent:** **** May 19, 2020**

(54) **TURBO HEATER BLADE**
(71) Applicants: **GD MIDEA ENVIRONMENTAL APPLIANCES MANUFACTURING CO., LTD.**, Zhongshan (CN); **MIDEA GROUP CO., LTD.**, Foshan (CN)

(72) Inventor: **Yilang Meng**, Zhongshan (CN)

(73) Assignees: **GUANGDONG MIDEA ENVIRONMENTAL APPLIANCES MANUFACTURING CO., LTD.**, Foshan (CN); **MIDEA GROUP CO., LTD.**, Foshan (CN)

(**) Term: **15 Years**

(21) Appl. No.: **29/656,473**

(22) Filed: **Jul. 12, 2018**

(30) **Foreign Application Priority Data**

Jan. 13, 2018 (CN) 2018 2 0054204

(51) **LOC (12) Cl.** **23-04**

(52) **U.S. Cl.**
USPC **D23/413**

(58) **Field of Classification Search**
USPC D23/336, 341, 342, 354, 370-379, 411, D23/413, 499, 353; D6/309; D21/430, D21/436, 442, 447, 450, 453, 458; D24/110; D13/179; D12/214
CPC F04D 29/322; F04D 29/324; F04D 29/325; F04D 29/329; F04D 29/34; F04D 29/38; F04D 29/384; F05B 2250/182; F01D 5/00; F01D 5/12; F01D 5/141
See application file for complete search history.

(56) **References Cited**

U.S. PATENT DOCUMENTS

1,712,119 A * 5/1929 Ray F01D 5/141
416/235
D131,271 S * 2/1942 Collura D23/413
D191,401 S * 9/1961 Gesmar D23/413
5,169,290 A * 12/1992 Chou F04D 29/283
416/223 B

(Continued)

FOREIGN PATENT DOCUMENTS

CN 207795681 U * 8/2018 F04D 29/38

OTHER PUBLICATIONS

Fan blades. (Design—© Questel) orbit.com. [online PDF] 15 pgs. Print Dates Mar. 10, 2010 through Mar. 8, 2019 [Retrieved on Nov. 18, 2019] <https://sobjprd.questel.fr/export/QPTUJ214/pdf2/87093e6a-666c-4590-bab8-0592651dd81b-225230.pdf>.*

(Continued)

Primary Examiner — Marie D. Fast Horse
(74) *Attorney, Agent, or Firm* — Morgan, Lewis & Bockius LLP

(57) **CLAIM**

The ornamental design for a turbo heater blade, as shown and described.

DESCRIPTION

FIG. 1 is a front elevational view of a turbo heater blade showing my new design;
FIG. 2 is a back elevational view thereof;
FIG. 3 is a first side elevational view thereof;
FIG. 4 is a second side elevational view thereof;
FIG. 5 is a third side elevational view thereof;

(Continued)

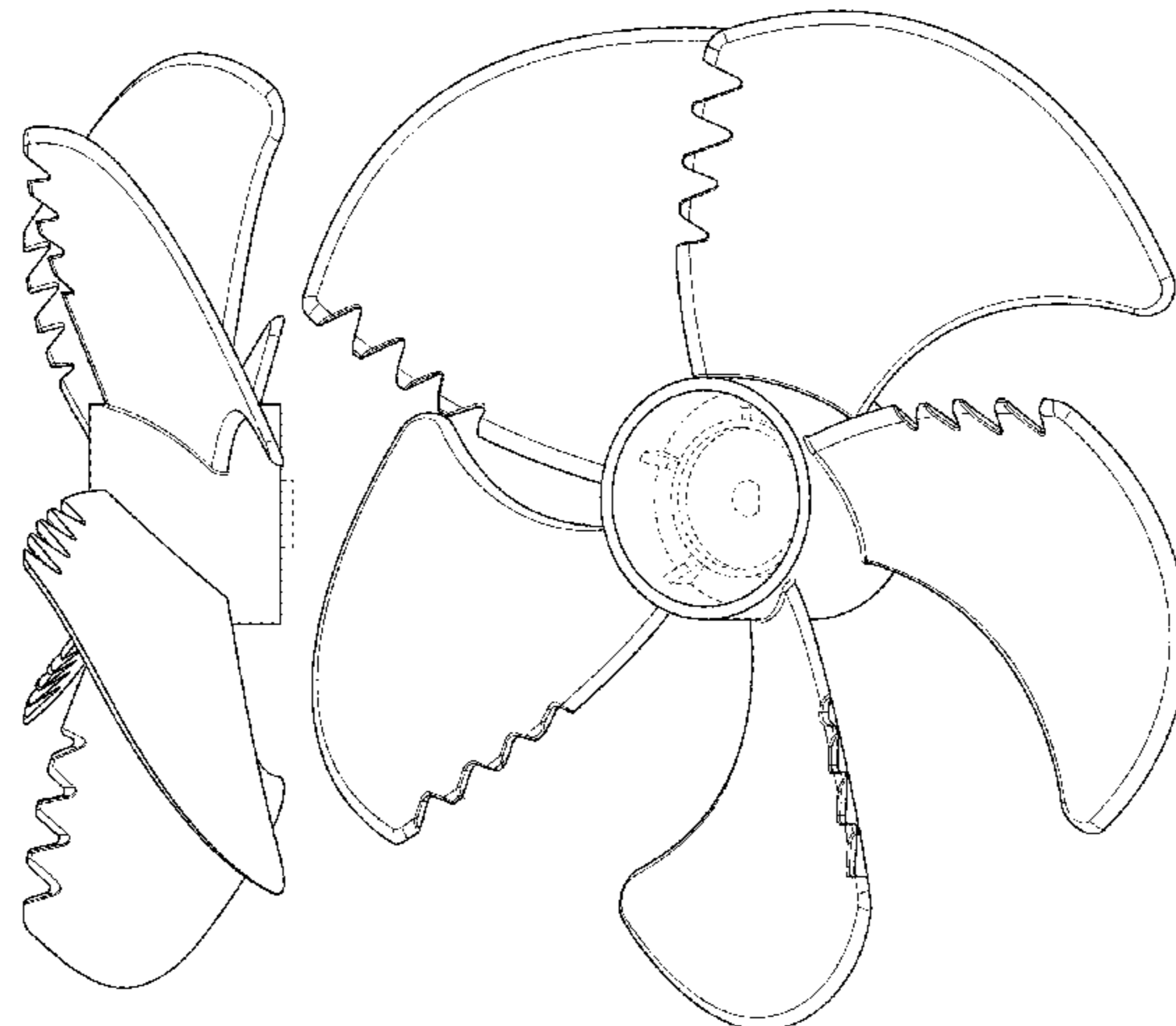


FIG. 6 is a fourth side elevational view thereof; and, FIG. 7 is a front perspective view thereof. The broken lines shown in the drawings depict unclaimed hub portions of the turbo heat blade, are for illustrative purposes only and form no part of the claimed design. The surfaces shown between the solid lines and the broken lines form no part of the claimed design.

1 Claim, 6 Drawing Sheets

(56)

References Cited

U.S. PATENT DOCUMENTS

5,603,607 A * 2/1997 Kondo F04D 29/384
416/228
D419,669 S * 1/2000 Shinshi D23/413
6,733,240 B2 * 5/2004 Gliebe F01D 5/141
416/228
D570,470 S * 6/2008 Suzuki D23/413
D585,130 S * 1/2009 Harman D23/413
7,815,418 B2 * 10/2010 Suzuki F04D 29/384
415/222
8,057,167 B2 * 11/2011 Suzuki F04D 29/384
415/175
8,491,270 B2 * 7/2013 Eguchi F04D 29/384
416/235
D688,783 S * 8/2013 DeFilippis D23/413
8,556,587 B2 * 10/2013 Suzuki F04D 29/384
416/193 R
8,596,984 B2 * 12/2013 Bessho B29C 45/0005
416/230
8,827,649 B2 * 9/2014 Kang F04D 29/384
416/183
8,939,729 B2 * 1/2015 Hsieh F04D 29/384
416/236 A
D725,252 S * 3/2015 Hamada D23/413
D727,490 S * 4/2015 Hatz D23/413
9,051,941 B2 * 6/2015 Kojima F04D 29/384
D750,211 S * 2/2016 Arai D23/413
D755,946 S * 5/2016 Arai D23/413
D755,947 S * 5/2016 Arai D23/413
D773,632 S * 12/2016 Panyasahabade D23/379
9,556,881 B2 * 1/2017 Seiji F04D 29/384
D787,035 S * 5/2017 Hamada D23/354
D806,225 S * 12/2017 Chang D23/413

D808,003 S * 1/2018 Gebert D23/413
10,030,668 B2 * 7/2018 Kojima F04D 29/329
10,082,286 B1 * 9/2018 Huang F04D 29/005
D854,143 S * 7/2019 Yu D23/413
D858,737 S * 9/2019 Tadokoro D23/413
10,400,604 B2 * 9/2019 Sawada F01D 5/141
2003/0012653 A1 * 1/2003 Diemunsch F04D 29/384
416/193 R
2007/0031257 A1 * 2/2007 Suzuki F04D 29/384
416/182
2012/0257965 A1 * 10/2012 Xia F04D 25/0613
415/213.1
2013/0091888 A1 * 4/2013 Park F04D 29/384
62/426
2013/0323098 A1 * 12/2013 Ooya F04D 29/384
417/410.1
2014/0147282 A1 * 5/2014 Hu F04D 29/327
416/189
2015/0023791 A1 * 1/2015 Sadi F04D 29/384
415/213.1
2015/0240645 A1 * 8/2015 Yokose F04D 29/384
416/223 R
2015/0330223 A1 * 11/2015 Choi F04D 29/384
416/204 R
2017/0058917 A1 * 3/2017 McKinney F04D 29/384
2018/0238343 A1 * 8/2018 Nakashima F04D 29/384
2018/0306034 A1 * 10/2018 Teramoto F01D 5/141
2018/0355884 A1 * 12/2018 Sakoda F04D 29/384
2018/0355885 A1 * 12/2018 Kim F04D 29/384
2019/0024674 A1 * 1/2019 Loercher F04D 29/30
2019/0040873 A1 * 2/2019 Tadokoro F04D 29/384
2019/0072104 A1 * 3/2019 Froh F04D 29/384
2019/0120253 A1 * 4/2019 Nakashima F04D 29/384
2019/0170158 A1 * 6/2019 Azzouz F04D 29/326
2019/0226492 A1 * 7/2019 Krishnaswami F04D 29/384
2019/0293091 A1 * 9/2019 Nakashima F04D 29/384
2019/0301471 A1 * 10/2019 Wang F04D 29/329

OTHER PUBLICATIONS

Sound Source Localization on a Fast Rotating Fan Using Rotational Beamforming. [online] 3 pgs. Aug. 2017. [Retrieved on Nov. 18, 2019] https://www.researchgate.net/figure/Design-studies-under-examination-always-viewed-from-the-pressure-side-a-Sample-1_fig5_323186173.*

* cited by examiner

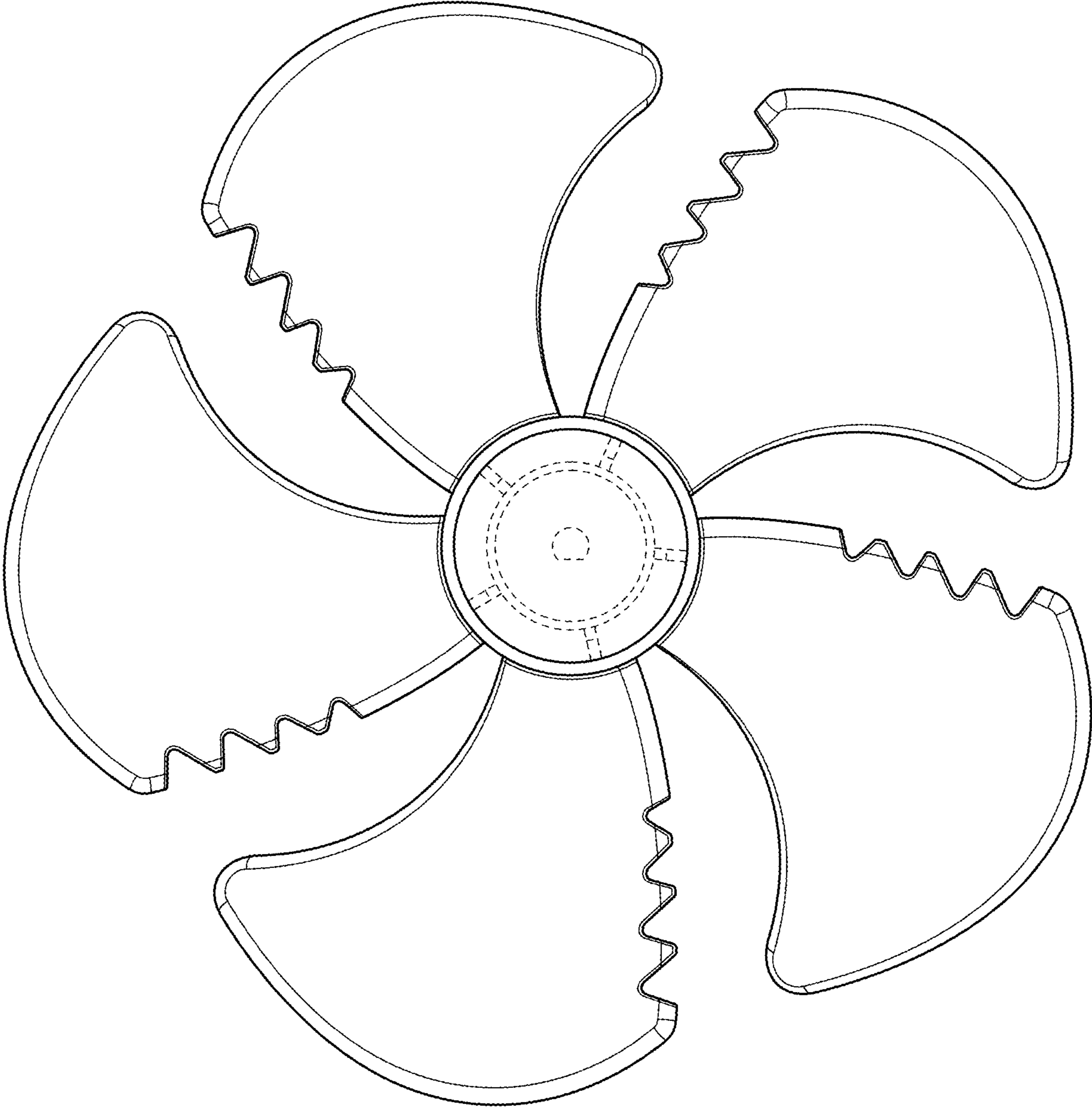


FIG. 1

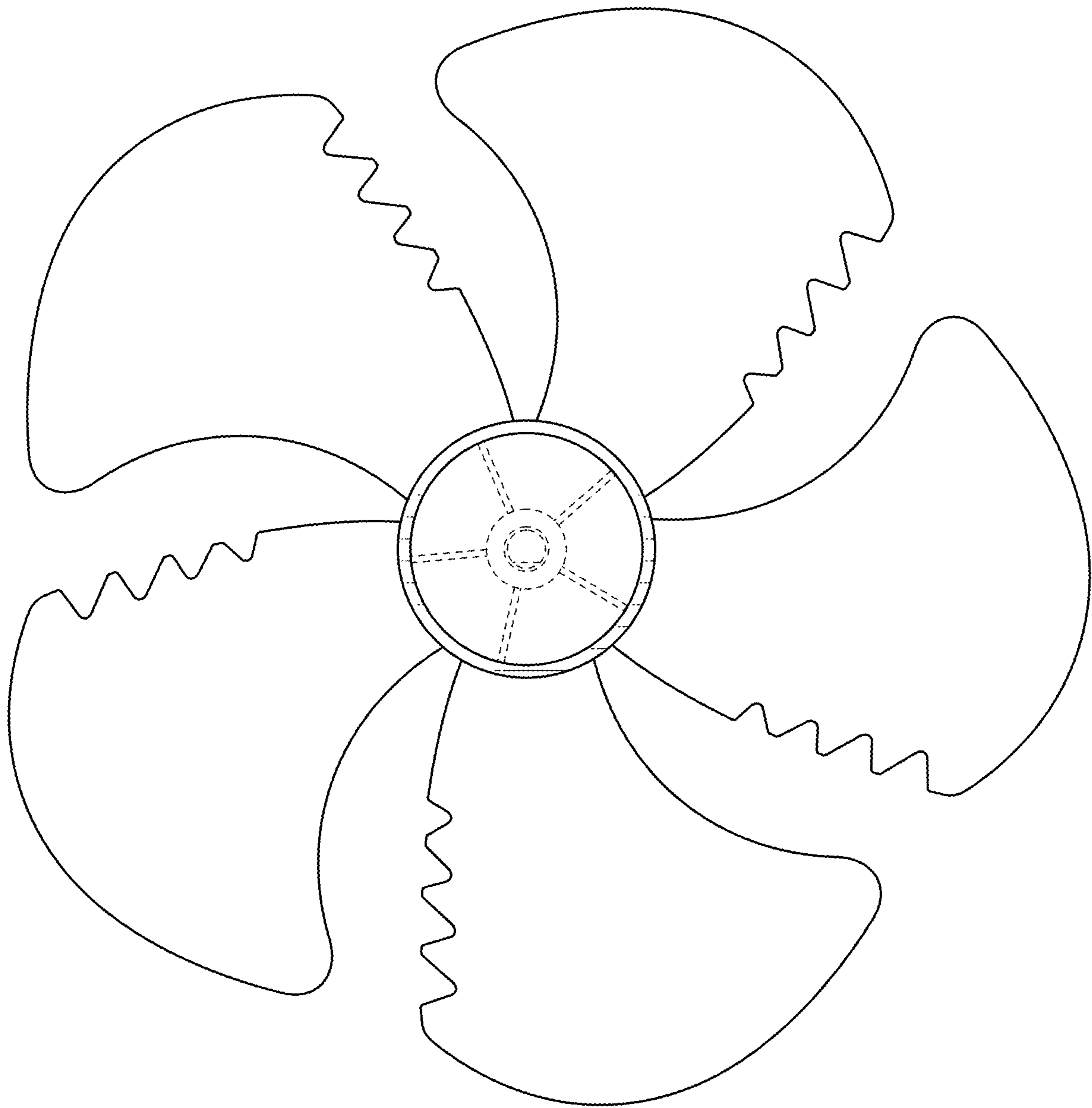


FIG. 2

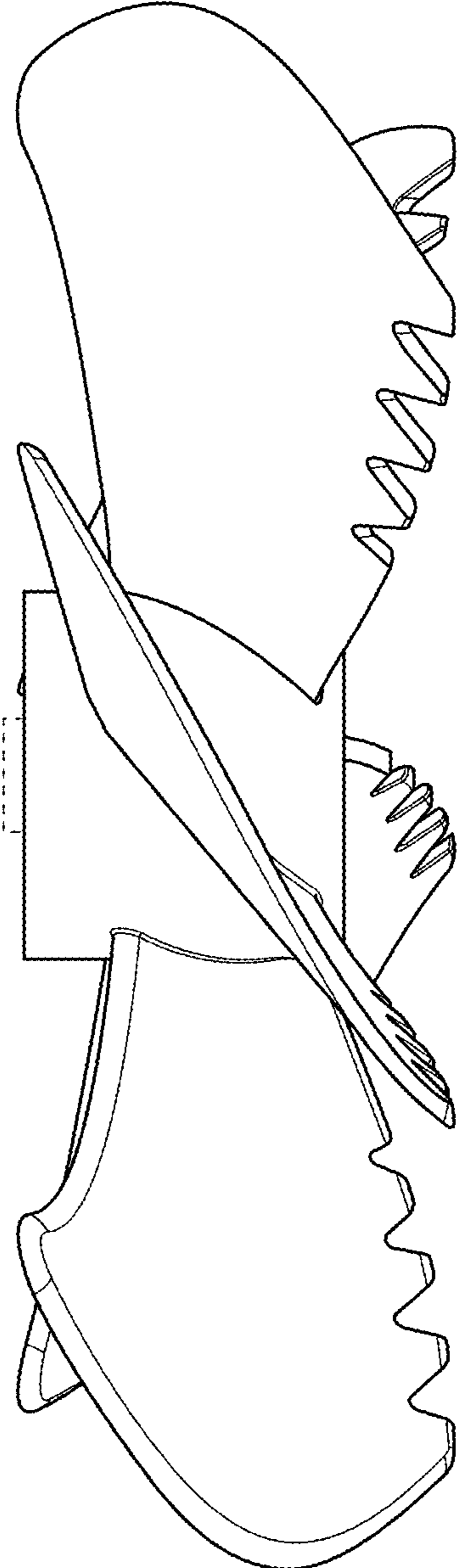


FIG. 3

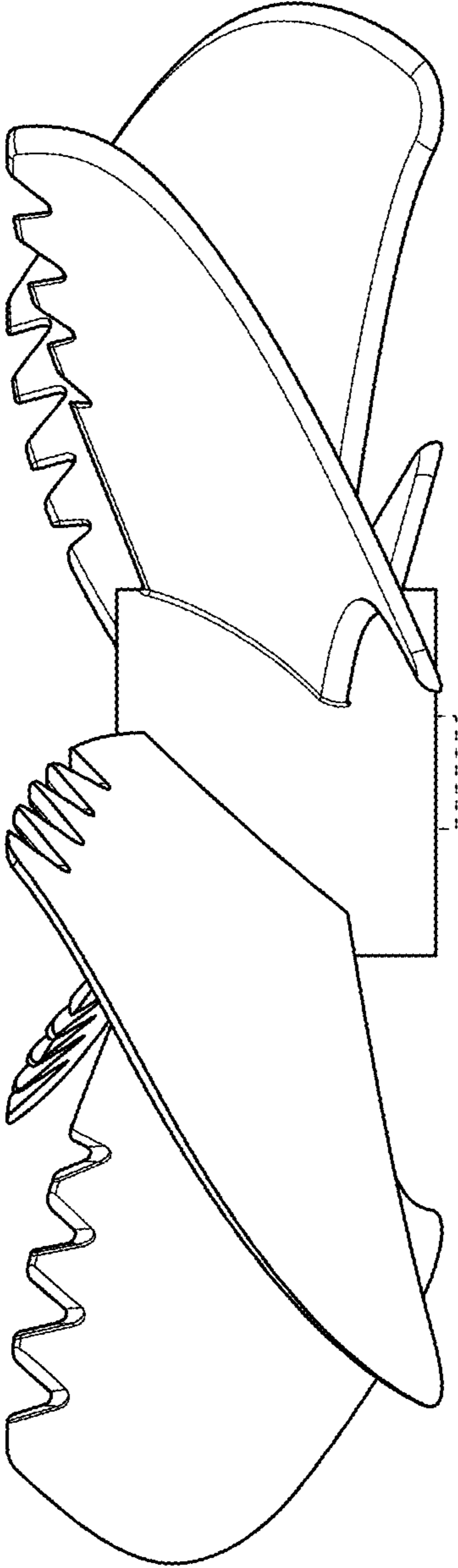


FIG. 4

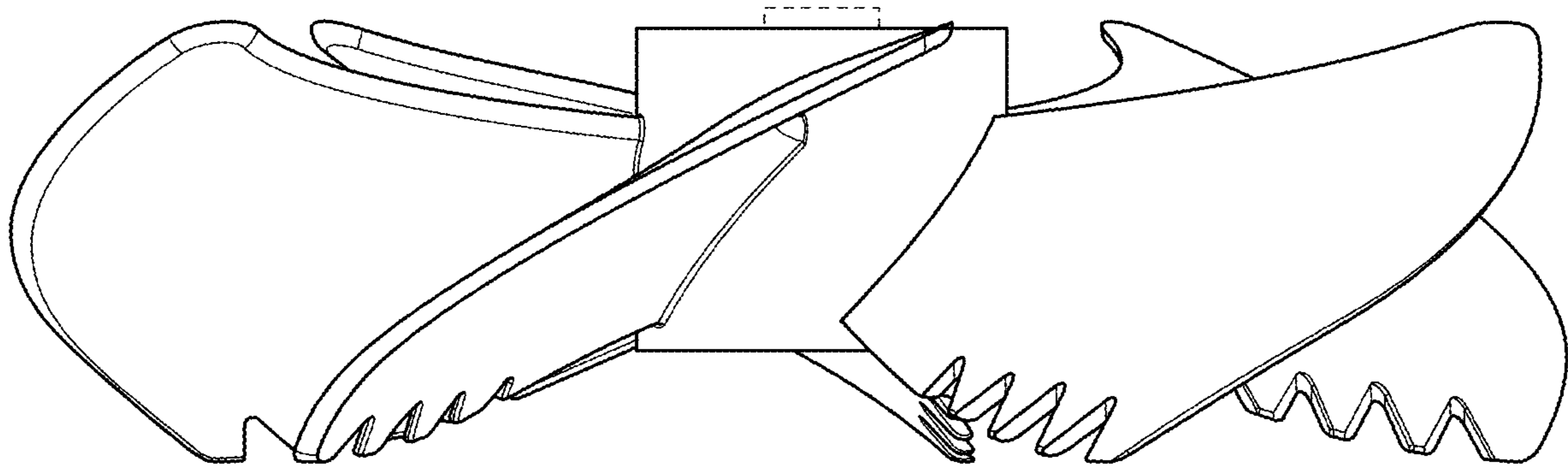


FIG. 5

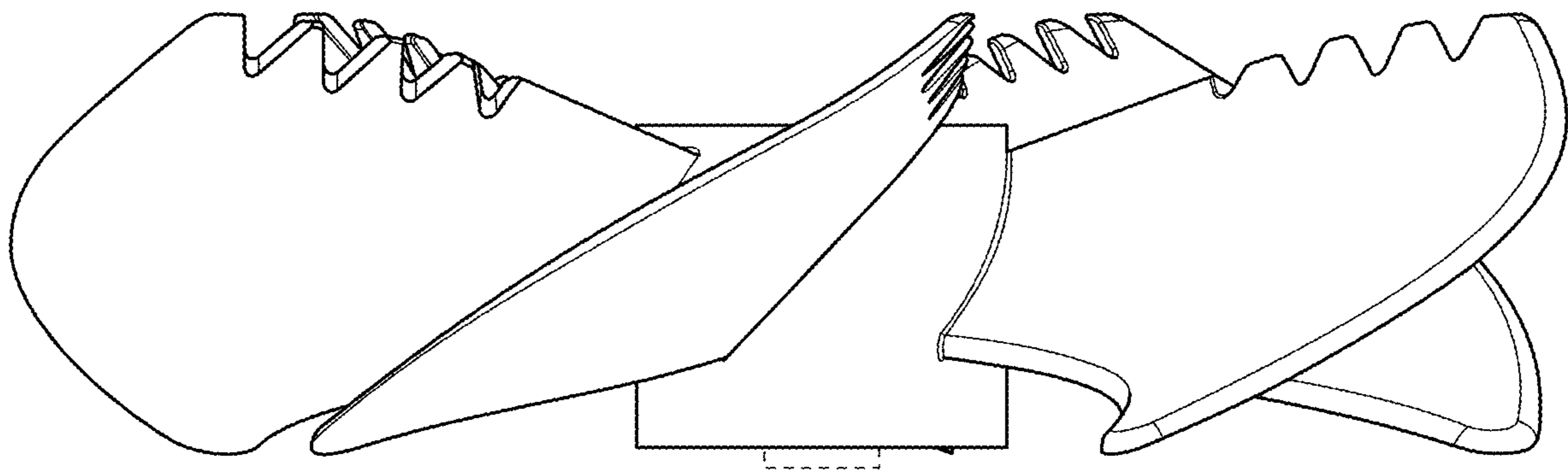


FIG. 6

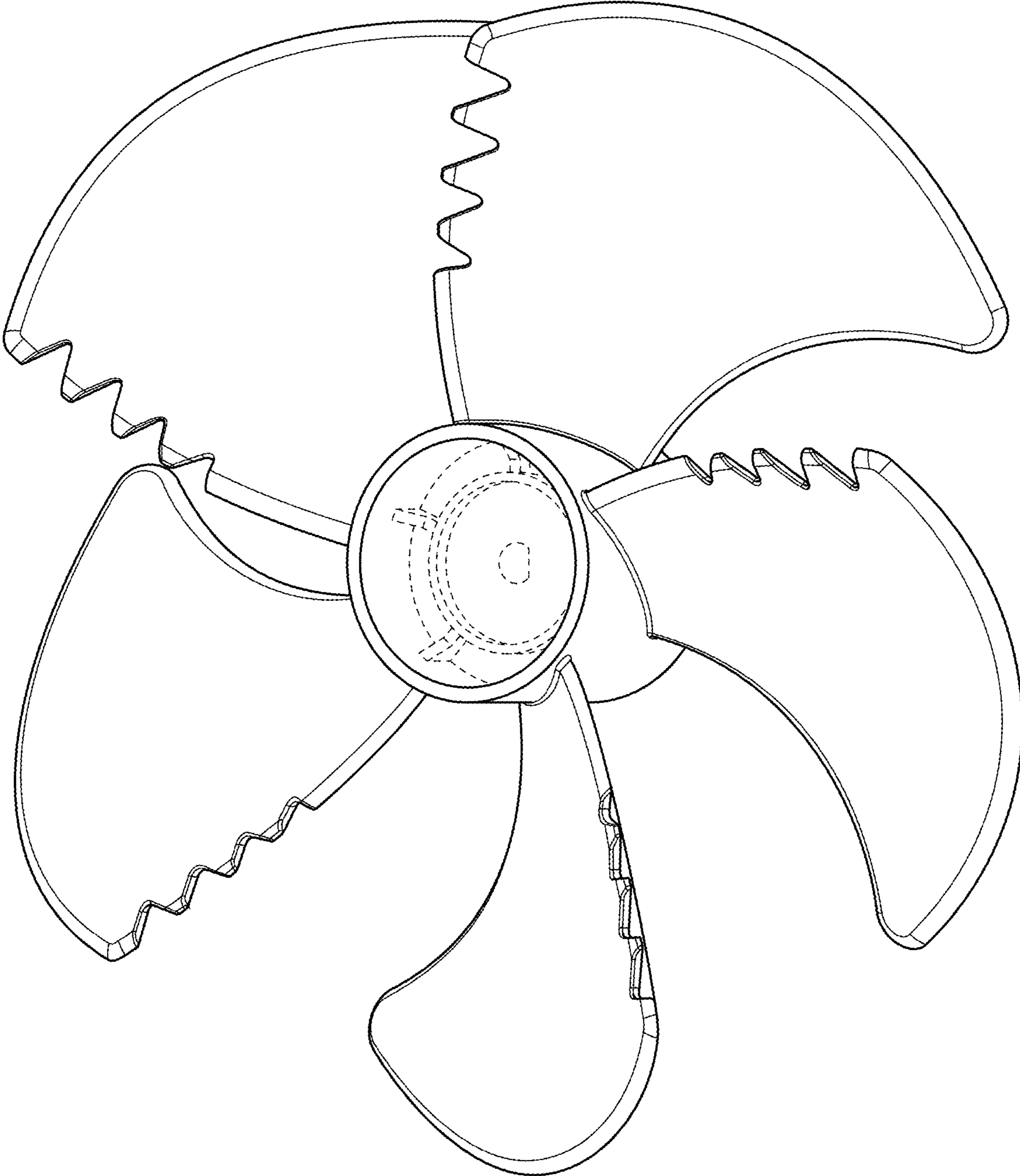


FIG. 7