



US00D884873S

(12) **United States Design Patent**
Bortnick

(10) **Patent No.:** **US D884,873 S**

(45) **Date of Patent:** **** May 19, 2020**

- (54) **INVERTED FAN ENCLOSURE**
- (71) Applicant: **Benjamin D. Bortnick**, Prairie Village, KS (US)
- (72) Inventor: **Benjamin D. Bortnick**, Prairie Village, KS (US)
- (**) Term: **15 Years**
- (21) Appl. No.: **29/647,012**
- (22) Filed: **May 9, 2018**
- (51) **LOC (12) Cl.** **23-03**
- (52) **U.S. Cl.**
USPC **D23/411; D23/386**
- (58) **Field of Classification Search**
USPC D23/370–385, 411–414, 386–393,
D23/332–337, 351–354; D26/49, 59, 72,
D26/74, 89, 118, 124
CPC F04D 25/088; F04D 29/38; F04D 29/384;
F04D 29/386; F21V 33/0096
See application file for complete search history.

- 6,554,458 B1 * 4/2003 Benghozi F21V 21/04
362/147
- 6,889,948 B2 * 5/2005 Melancon F16L 23/02
248/309.1
- 7,064,268 B2 * 6/2006 Dinh H02G 3/185
174/485
- 7,311,425 B2 * 12/2007 Jervey, III F21S 8/06
362/391
- D614,280 S * 4/2010 Dyson F04F 5/16
D23/370
- D629,549 S * 12/2010 Feigenbaum D26/63
- D672,024 S * 12/2012 Fitton D23/370
- D706,407 S * 6/2014 Wang D23/385
- D723,153 S * 2/2015 Borkholder D23/411
- D765,236 S * 8/2016 Harris D23/386
- D765,826 S * 9/2016 Harris D23/386
- D782,642 S * 3/2017 Poulton D23/370
- D808,248 S * 1/2018 Krombein D8/354
- 10,101,015 B2 * 10/2018 Benghozi F21S 8/026
- D858,729 S * 9/2019 Scott D23/348
- D860,498 S * 9/2019 Engle D26/72

(Continued)

Primary Examiner — Cathron C Brooks
Assistant Examiner — Sharon S Oum
(74) *Attorney, Agent, or Firm* — Erickson Kernell IP, LLC

(56) **References Cited**

U.S. PATENT DOCUMENTS

- 1,009,027 A * 11/1911 Troutman A01G 13/06
431/342
- 3,778,609 A * 12/1973 Liberman F21S 8/02
362/364
- 4,232,361 A * 11/1980 Kelsall F21S 8/026
362/269
- 4,612,909 A * 9/1986 Lee F24C 15/2085
126/299 D
- D308,419 S * 6/1990 Mason D23/411
- 5,452,816 A * 9/1995 Chan F21S 8/02
220/3.5
- D386,577 S * 11/1997 Haydock D23/373
- 5,813,706 A * 9/1998 Travis F16L 23/032
285/184
- 6,485,254 B1 * 11/2002 Davis F04D 19/04
415/9

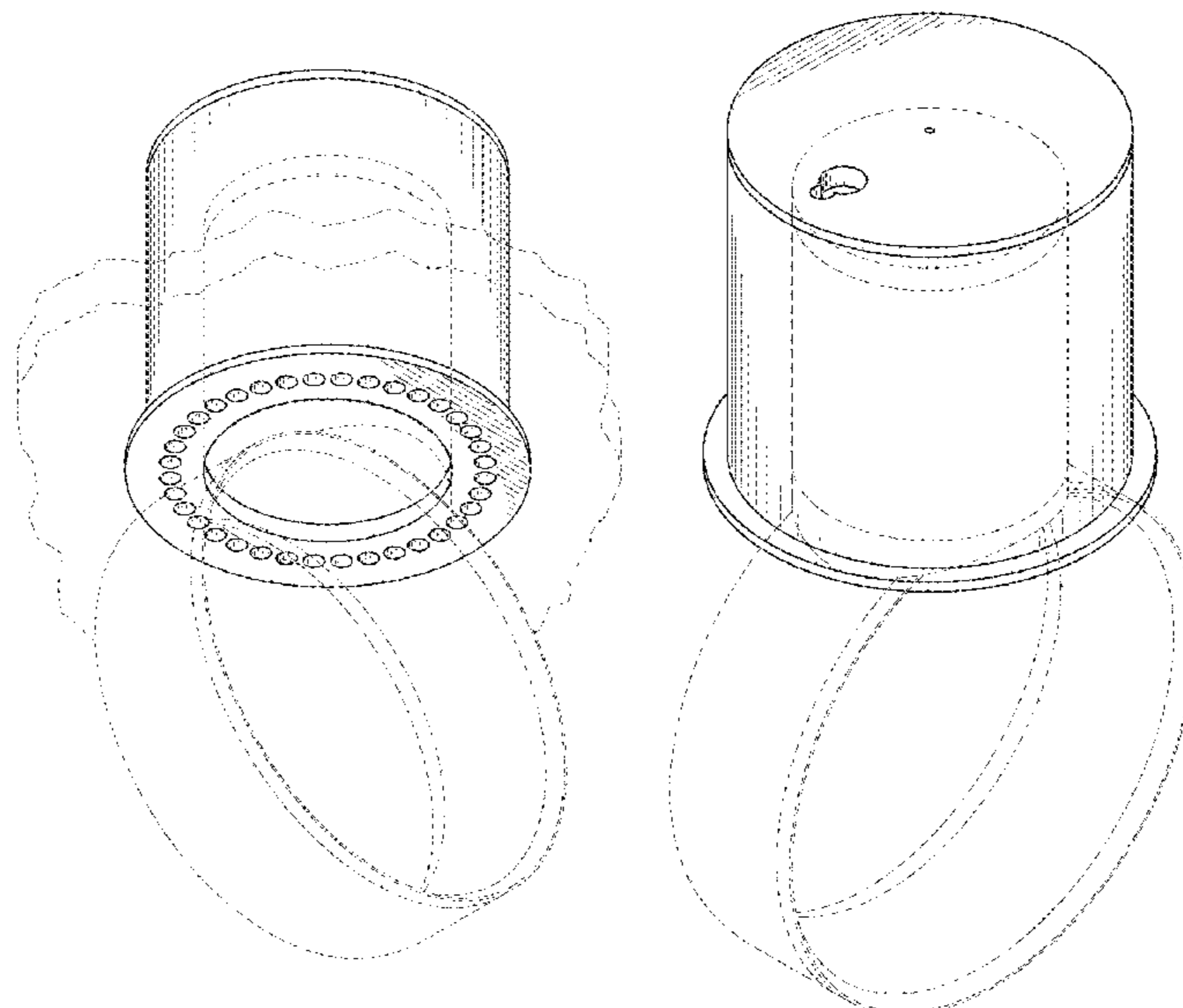
(57) **CLAIM**

The ornamental design for an inverted fan enclosure, as shown and described.

DESCRIPTION

FIG. 1 is a bottom perspective view of an ornament design for an inverted fan enclosure;
FIG. 2 is a top perspective view thereof;
FIG. 3 is a top view thereof;
FIG. 4 is a bottom view thereof; and,
FIG. 5 is a side view thereof.
The broken lines illustrate environmental structure that forms no part of the claimed design.

1 Claim, 4 Drawing Sheets



(56)

References Cited

U.S. PATENT DOCUMENTS

2007/0166167 A1* 7/2007 Fan F04D 25/088
416/244 R
2011/0069501 A1* 3/2011 Chou F21K 9/00
362/373
2013/0017106 A1* 1/2013 Stewart F04F 5/16
417/423.14
2018/0340733 A1* 11/2018 Blais F26B 21/001

* cited by examiner

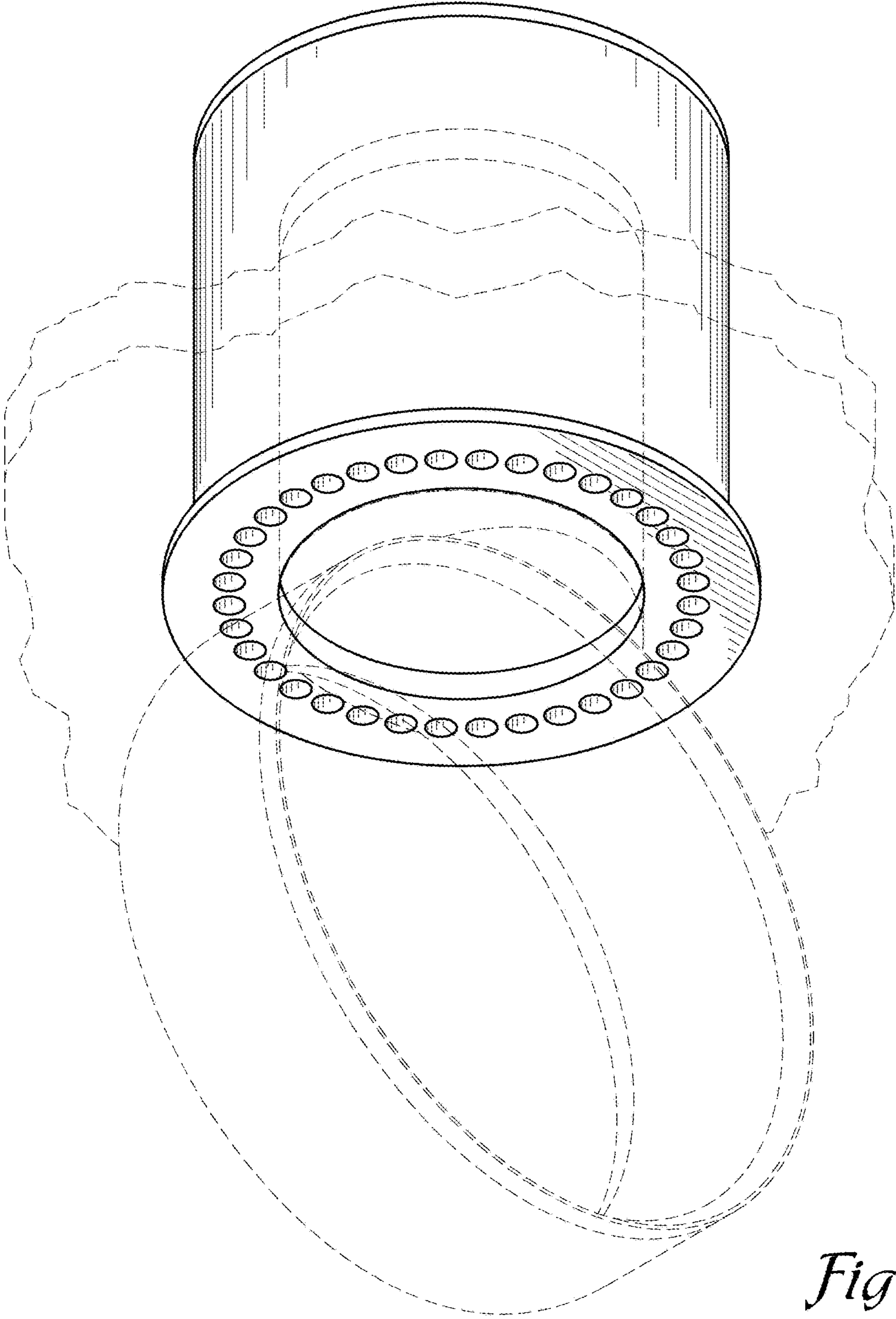


Fig. 1

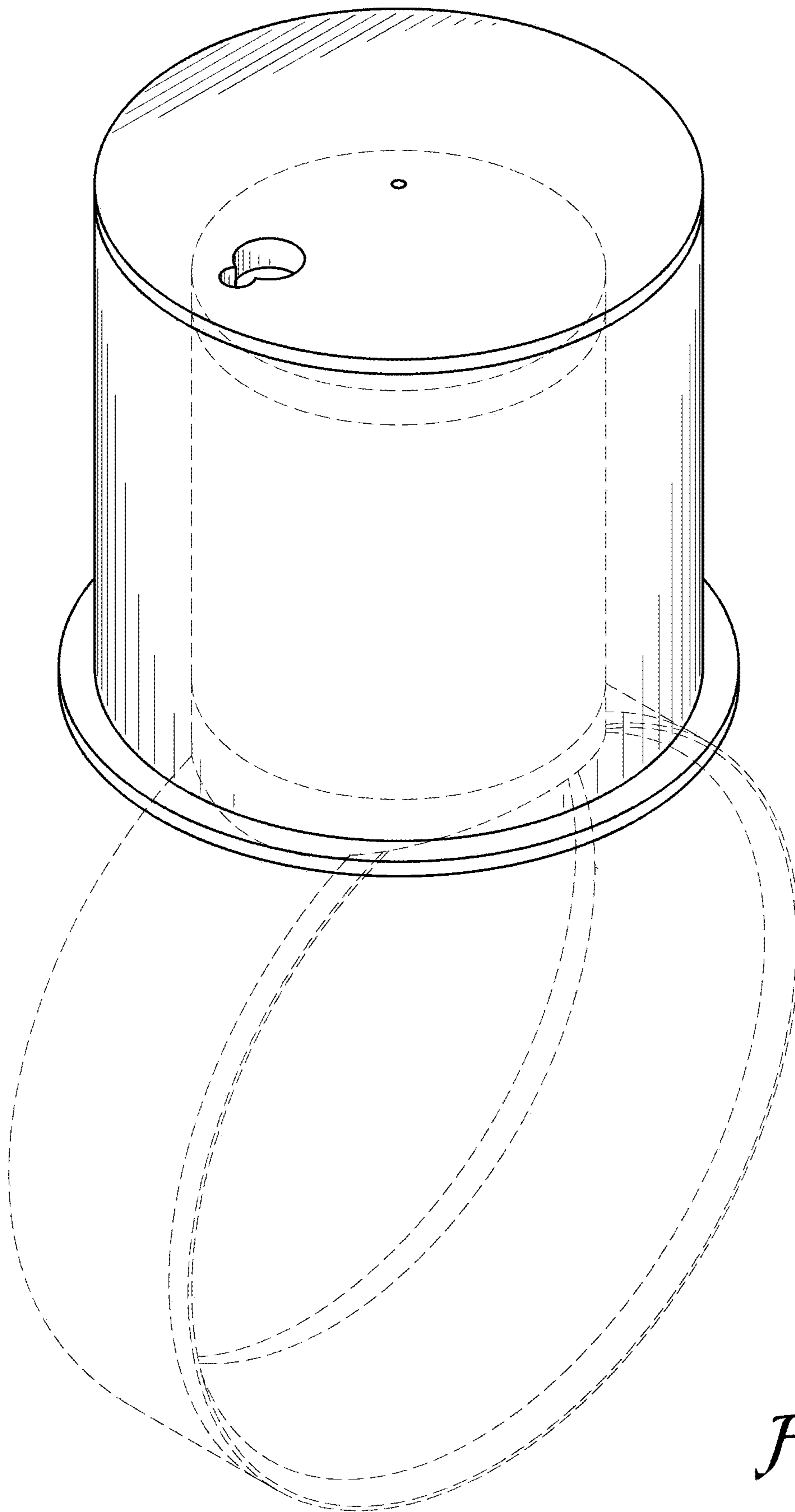


Fig. 2

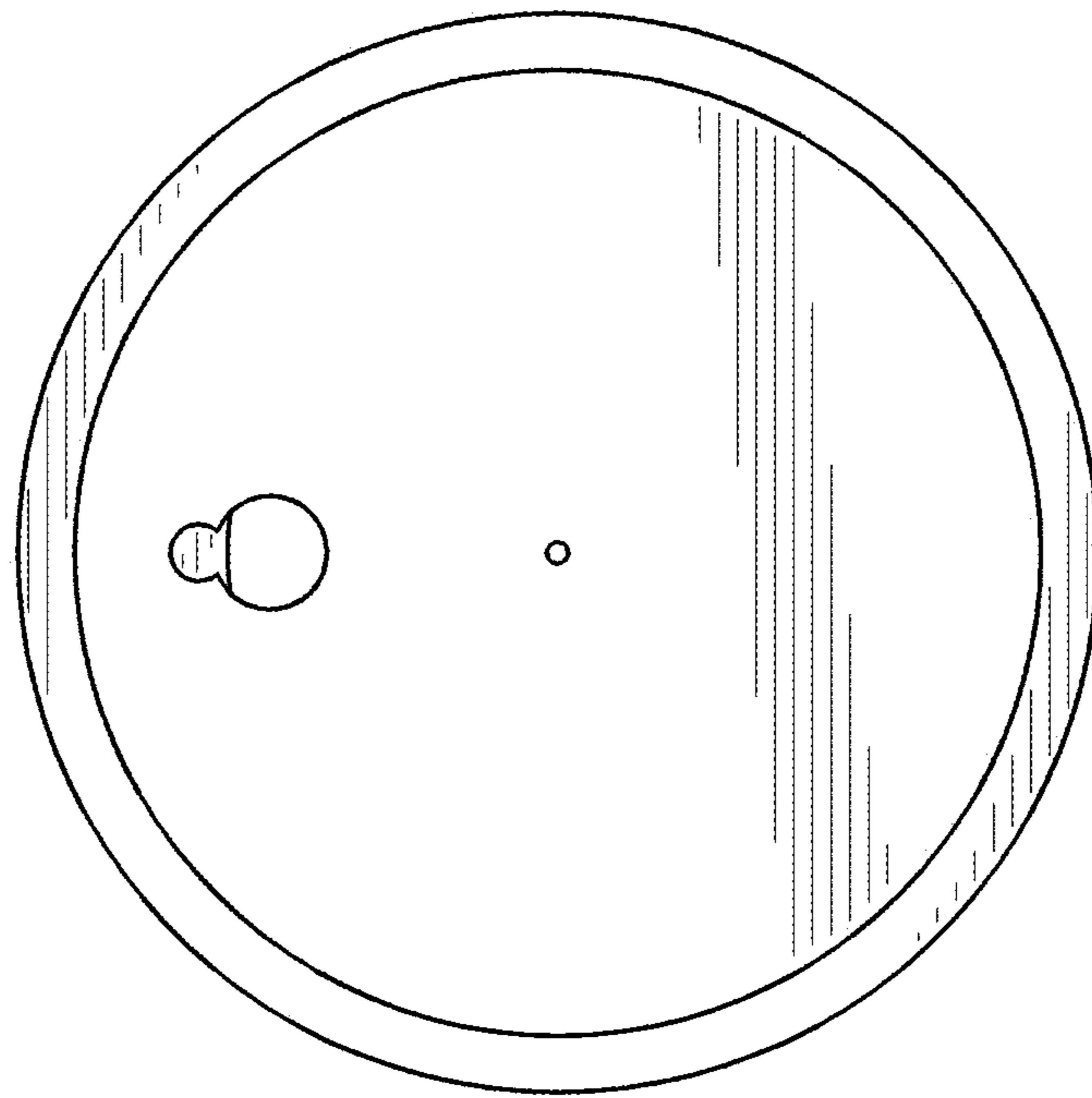


Fig. 3

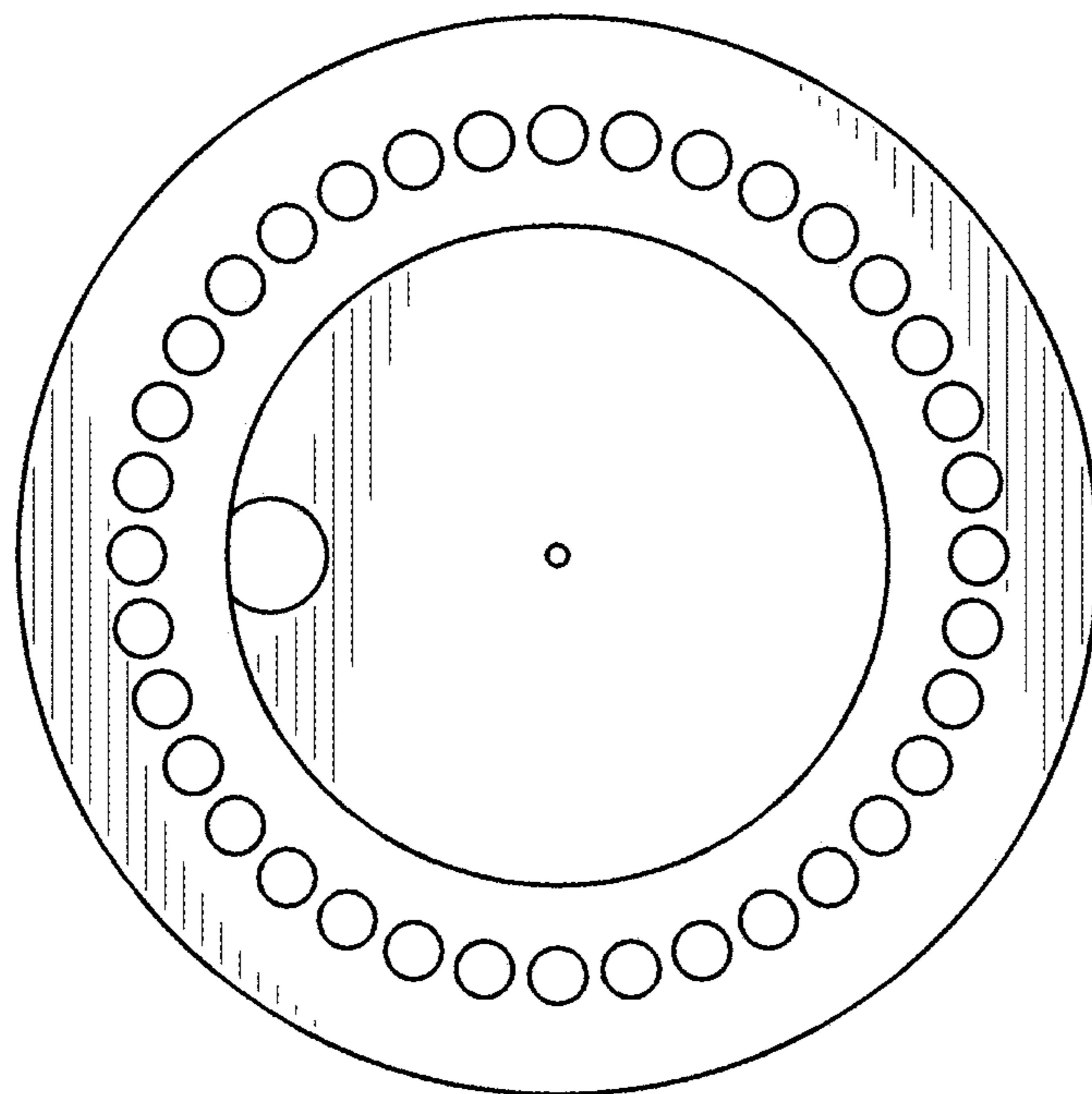


Fig. 4

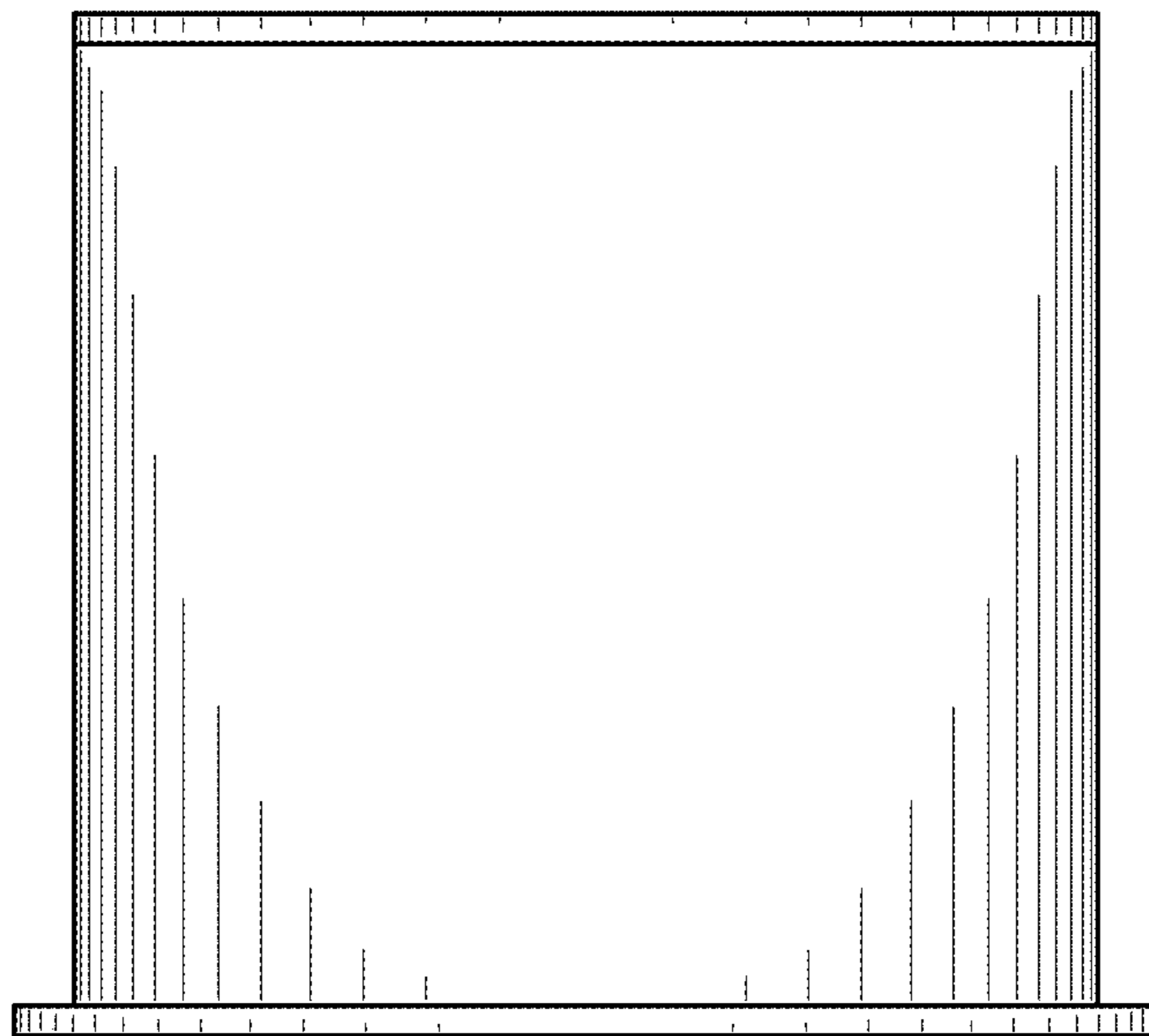


Fig. 5