



US00D884872S

(12) **United States Design Patent**
Yang

(10) **Patent No.:** **US D884,872 S**

(45) **Date of Patent:** **** May 19, 2020**

(54) **CEILING FAN**

(71) Applicant: **AIR COOL INDUSTRIAL CO., LTD.**, Taichung (TW)

(72) Inventor: **Helen Yang**, Rowland Heights, CA (US)

(73) Assignee: **AIR COOL INDUSTRIAL CO., LTD.**, Taichung (TW)

(**) Term: **15 Years**

(21) Appl. No.: **29/645,748**

(22) Filed: **Apr. 28, 2018**

(51) **LOC (12) Cl.** **23-03**

(52) **U.S. Cl.**
USPC **D23/411**

(58) **Field of Classification Search**
USPC D23/370–385, 411–414; D26/59
CPC F04D 25/088; F04D 29/38; F04D 29/384;
F04D 29/386; F21V 33/0096
See application file for complete search history.

(56) **References Cited**

U.S. PATENT DOCUMENTS

| | | | |
|--------------|---------|------------|---------|
| D270,942 S * | 10/1983 | McCain | 416/5 |
| D314,046 S * | 1/1991 | Yen | D23/377 |
| D315,946 S * | 4/1991 | Hollbrook | D23/377 |
| D324,266 S * | 2/1992 | Hollbrook | D23/411 |
| D328,638 S * | 8/1992 | Hsieh | D23/377 |
| D346,858 S * | 5/1994 | Lee | D23/377 |
| D384,739 S * | 10/1997 | Dolan | D23/377 |
| D396,531 S * | 7/1998 | Lieu | D23/377 |
| D398,980 S * | 9/1998 | Pearce | D23/377 |
| D400,977 S * | 11/1998 | Davis, Jr. | D23/411 |
| D408,518 S * | 4/1999 | Liu | D23/377 |
| D422,072 S * | 3/2000 | Blateri | D23/377 |
| D435,901 S * | 1/2001 | Tsuji | D23/411 |
| D454,633 S * | 3/2002 | Young | D23/411 |

| | | | |
|--------------|---------|-----------|---------|
| D456,503 S * | 4/2002 | Young | D23/413 |
| D483,463 S * | 12/2003 | Tai | D23/377 |
| D519,628 S * | 4/2006 | Young | D23/411 |
| D551,795 S * | 9/2007 | Compton | D26/88 |
| D553,731 S * | 10/2007 | Bucher | D23/411 |
| D586,902 S * | 2/2009 | Orozco | D23/411 |
| D590,489 S * | 4/2009 | Bucher | D23/377 |
| D599,461 S * | 9/2009 | Ertze | D23/377 |
| D603,035 S * | 10/2009 | Yang | D23/377 |
| D607,096 S * | 12/2009 | Searle | D23/377 |
| D620,581 S * | 7/2010 | Chen | D23/377 |
| D627,051 S * | 11/2010 | Pan | D23/411 |
| D630,312 S * | 1/2011 | Spaulding | D23/377 |
| D648,843 S * | 11/2011 | Chen | D23/411 |
| D671,632 S * | 11/2012 | Jones | D23/411 |
| D744,629 S * | 12/2015 | Wang | D23/377 |
| D744,633 S * | 12/2015 | Wang | D23/411 |
| D758,561 S * | 6/2016 | Dolan | D23/411 |

(Continued)

Primary Examiner — Cathron C Brooks

Assistant Examiner — Sharon S Oum

(74) *Attorney, Agent, or Firm* — Pai Patent & Trademark Law Firm; Chao-Chang David Pai

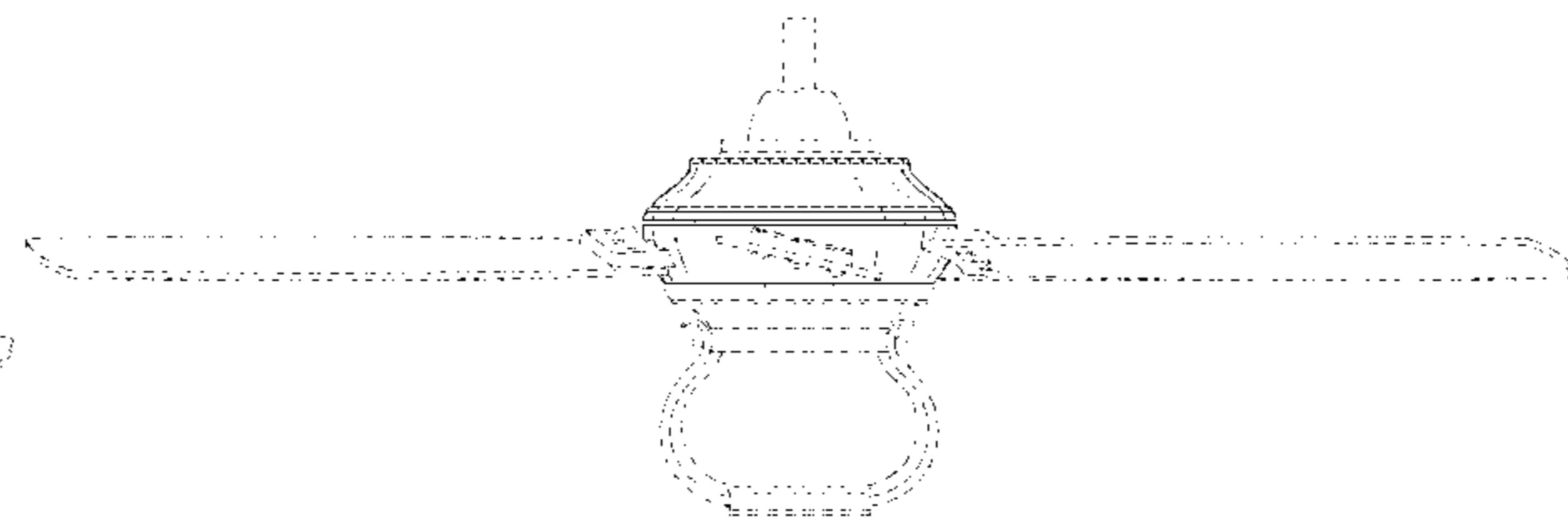
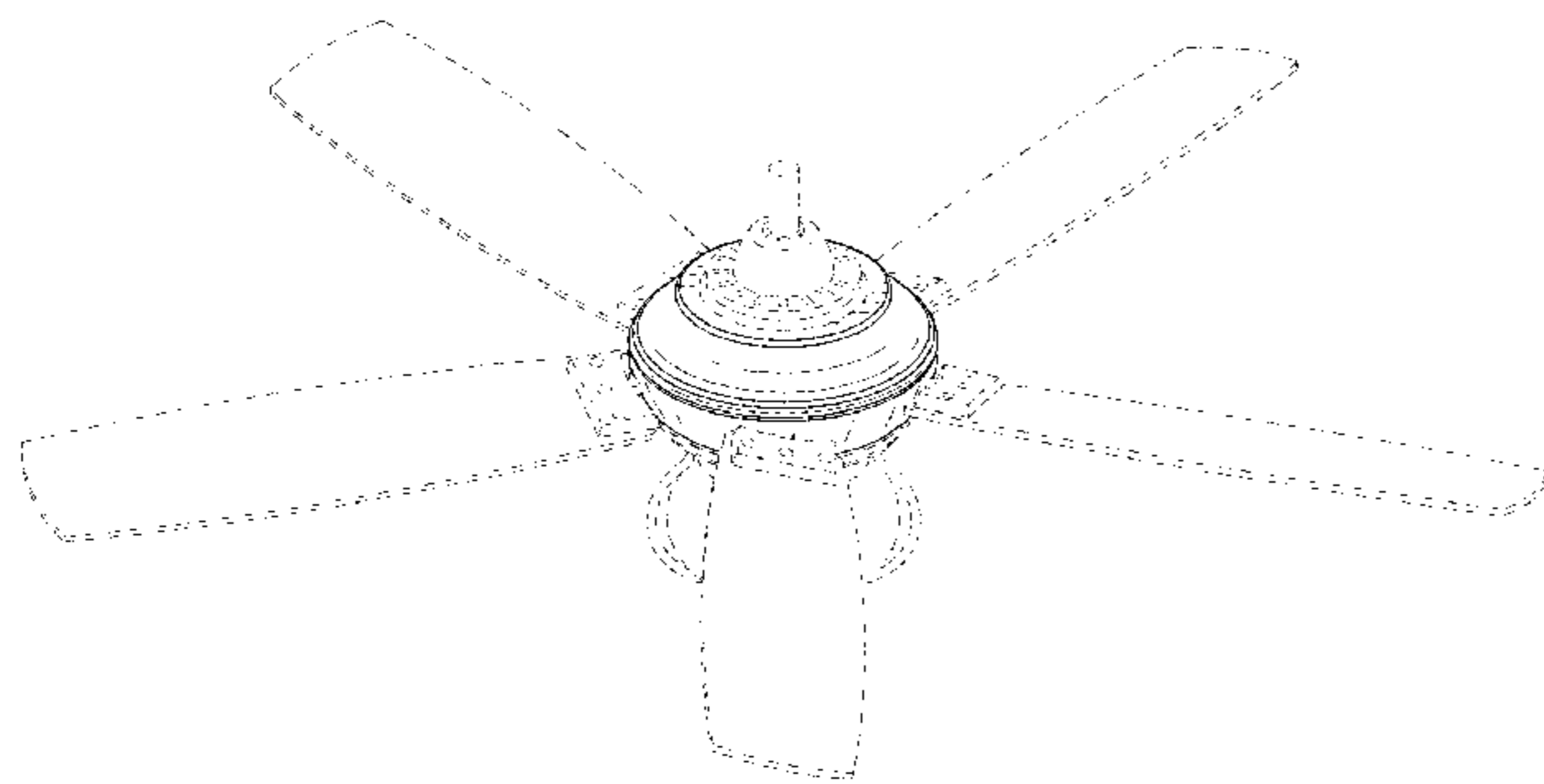
(57) **CLAIM**

The ornamental design for a ceiling fan, as shown and described.

DESCRIPTION

FIG. 1 is a front top perspective view of a ceiling fan showing my new design;
FIG. 2 is a front elevational view thereof;
FIG. 3 is a rear elevational view thereof;
FIG. 4 is a left side elevational view thereof;
FIG. 5 is a right side elevational view thereof;
FIG. 6 is a top plan view thereof;
FIG. 7 is a bottom plan view thereof; and,
FIG. 8 is a front bottom perspective view thereof.
The broken lines in the drawings depict portions of the ceiling fan that form no part of the claimed design.

1 Claim, 6 Drawing Sheets



(56)

References Cited

U.S. PATENT DOCUMENTS

D780,905 S * 3/2017 Schulzman D23/411
D796,660 S * 9/2017 Schulzman D23/377
D800,297 S * 10/2017 Wang D23/411
D833,596 S * 11/2018 Schulzman D23/377
2019/0229536 A1* 7/2019 Wang F04D 27/004

* cited by examiner

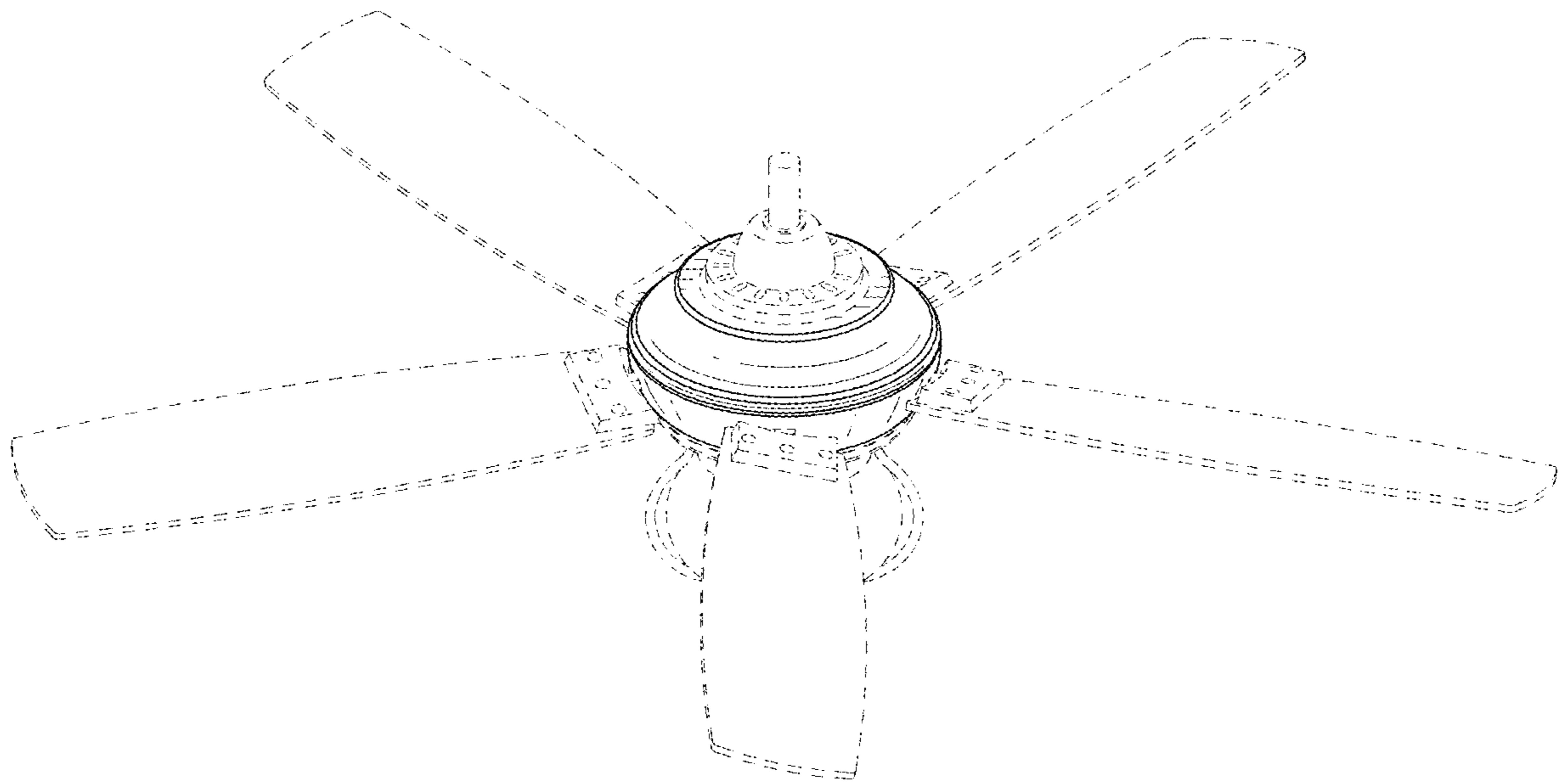


FIG. 1

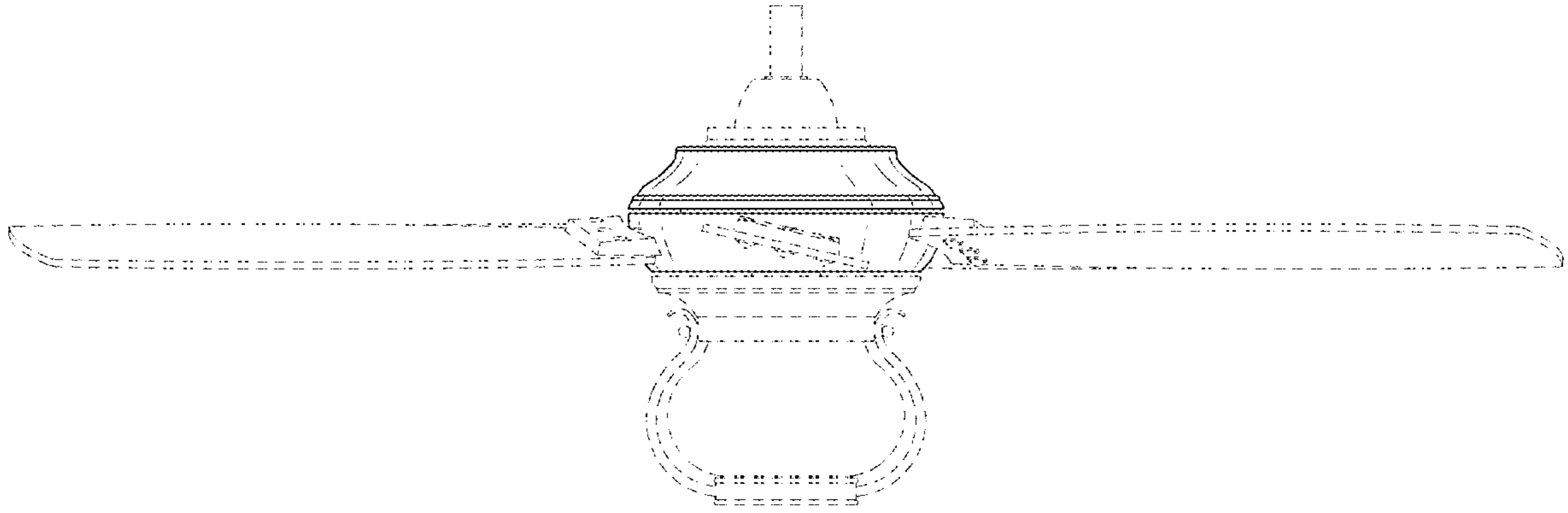


FIG. 2

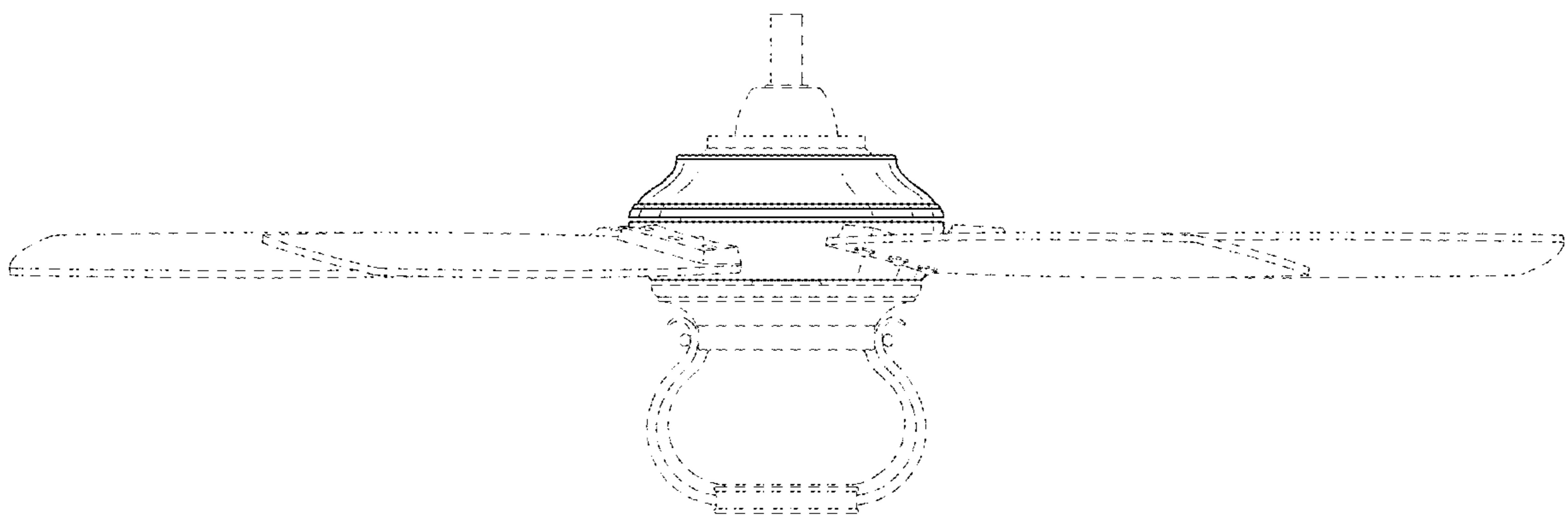


FIG. 3

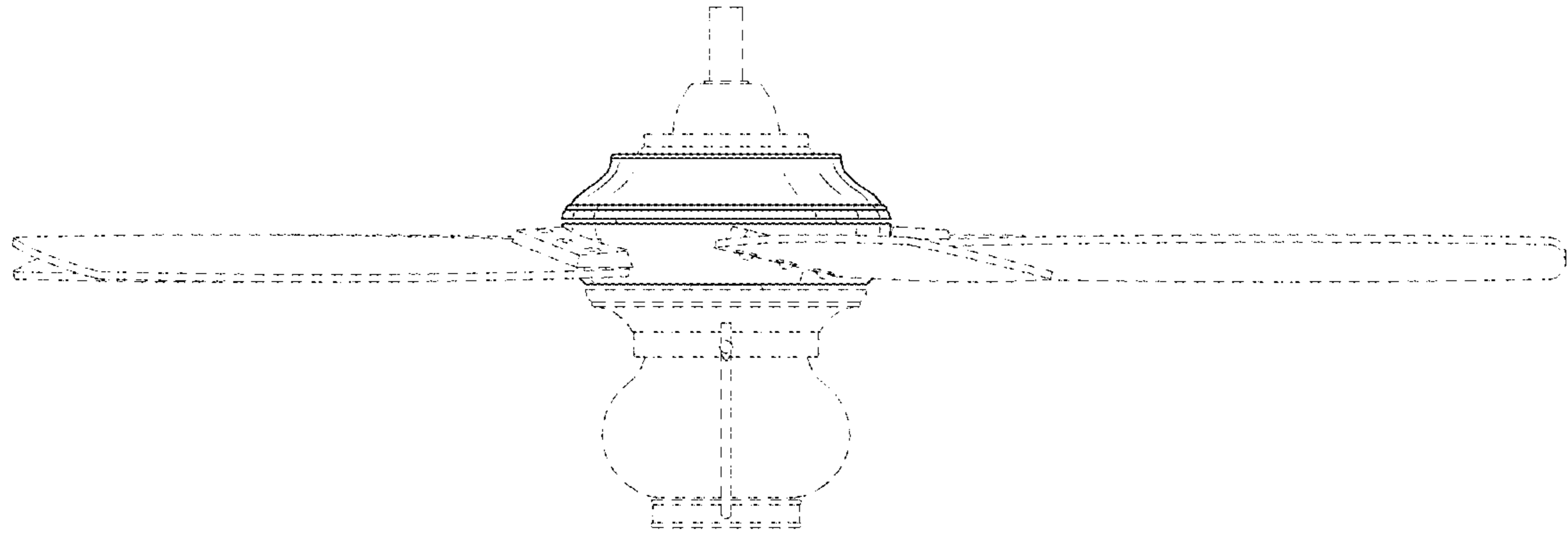


FIG. 4

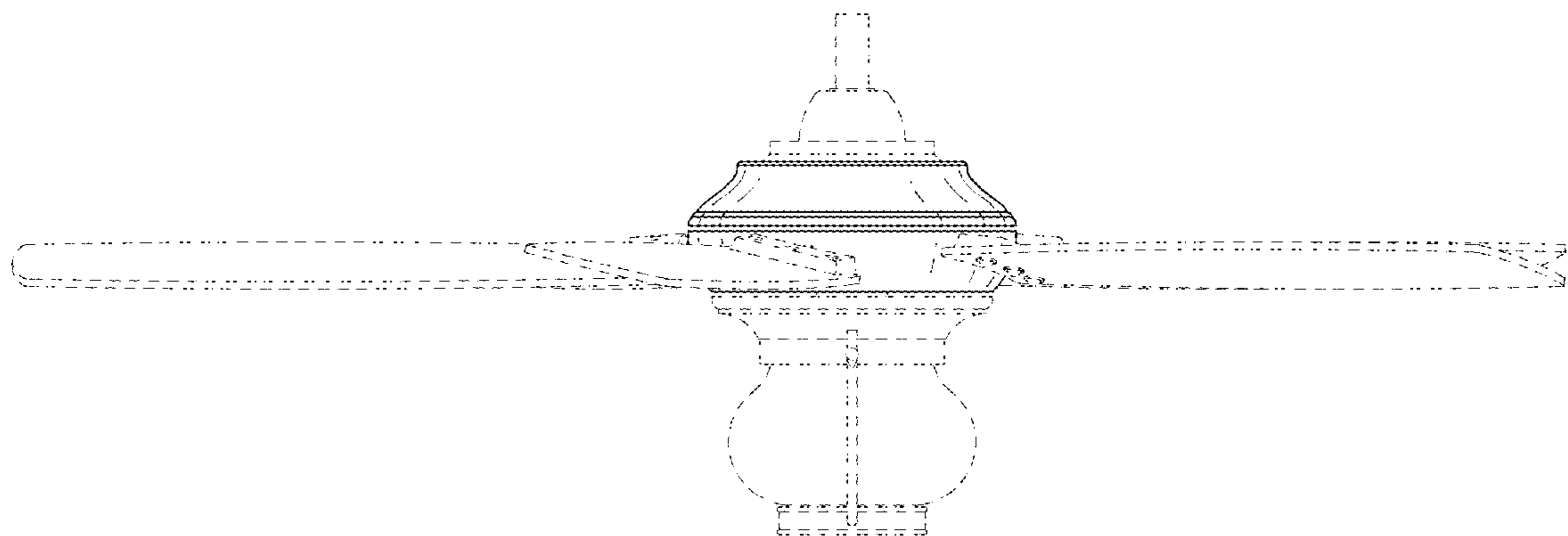


FIG. 5

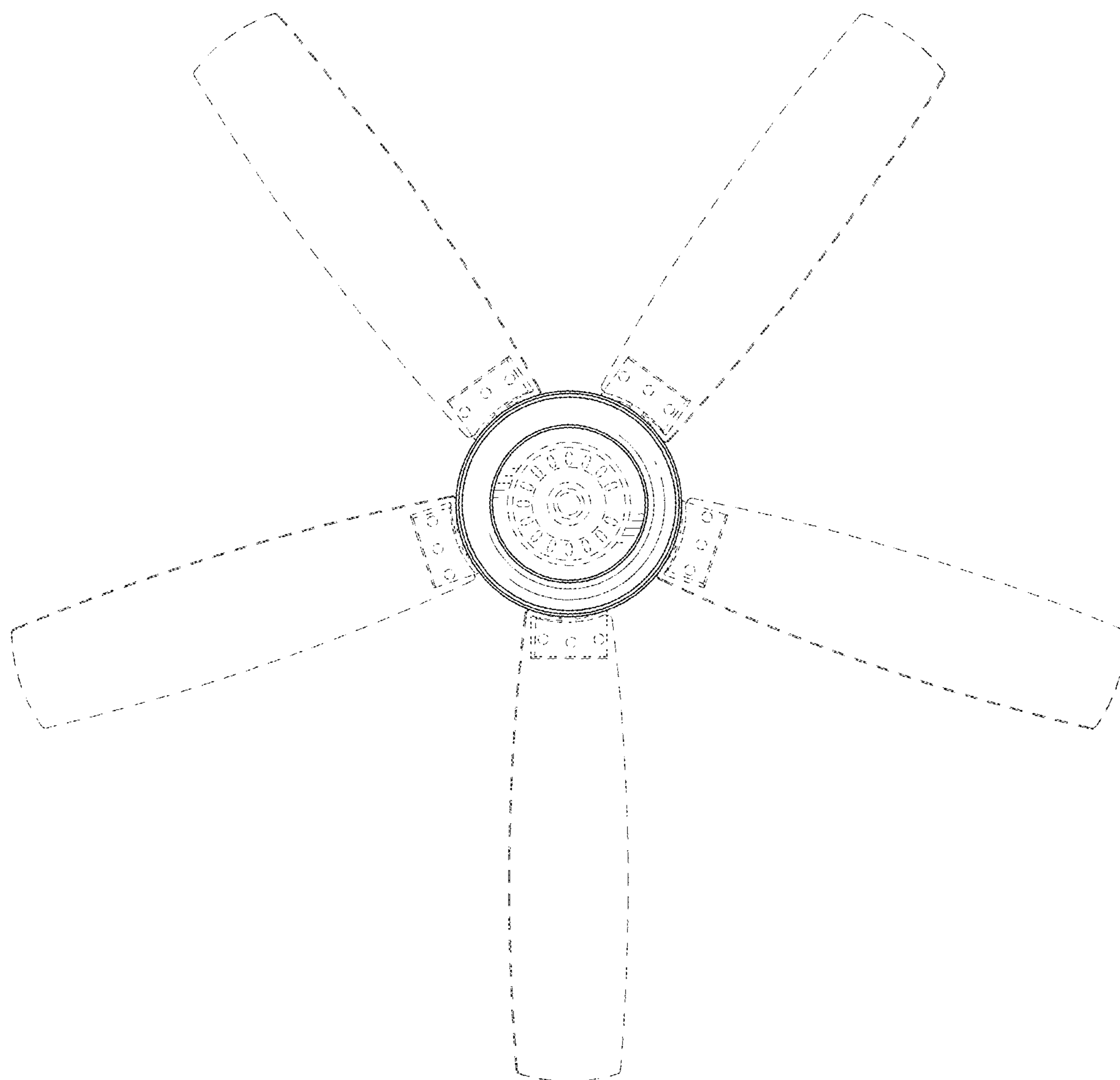


FIG. 6

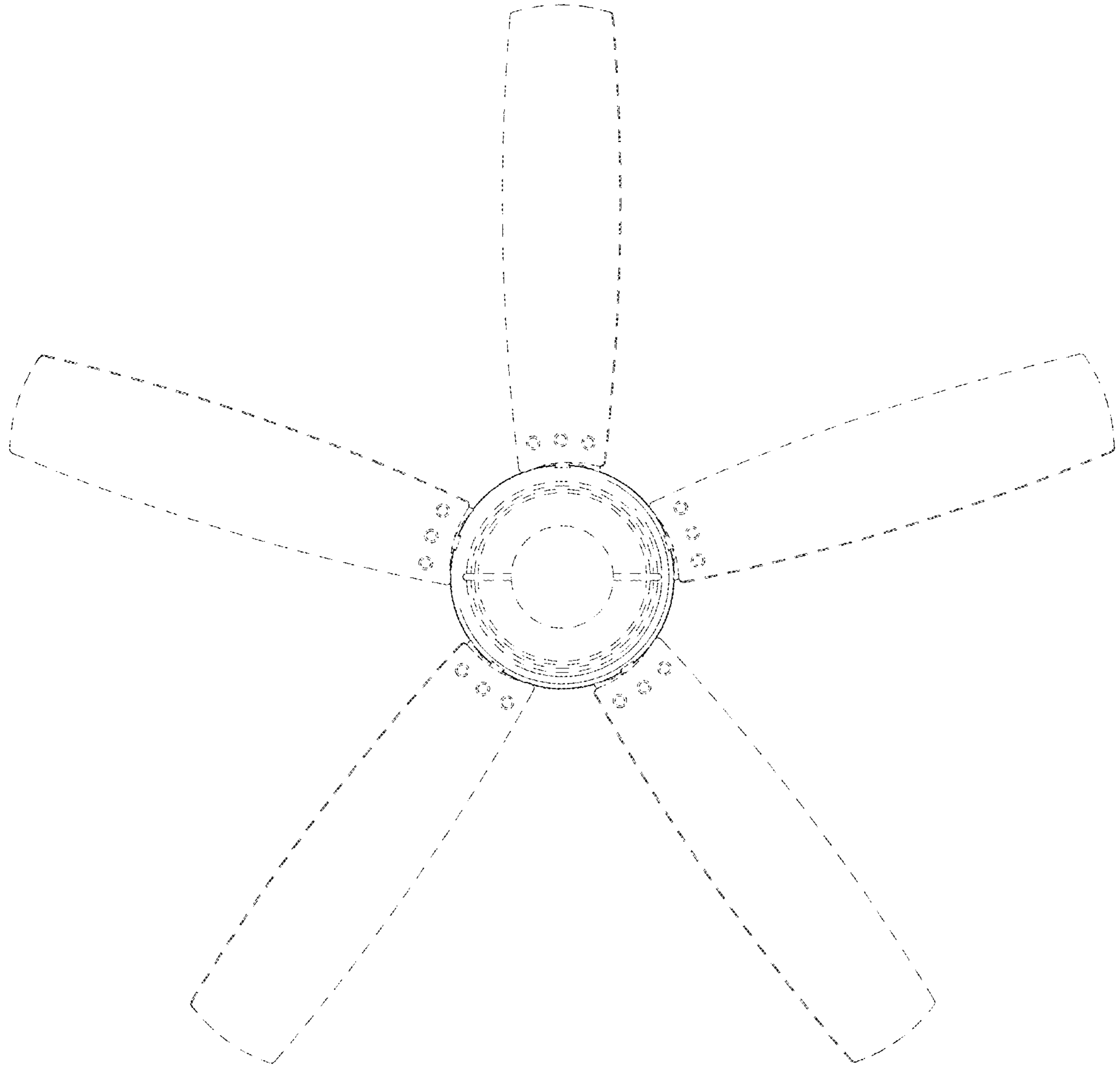


FIG. 7

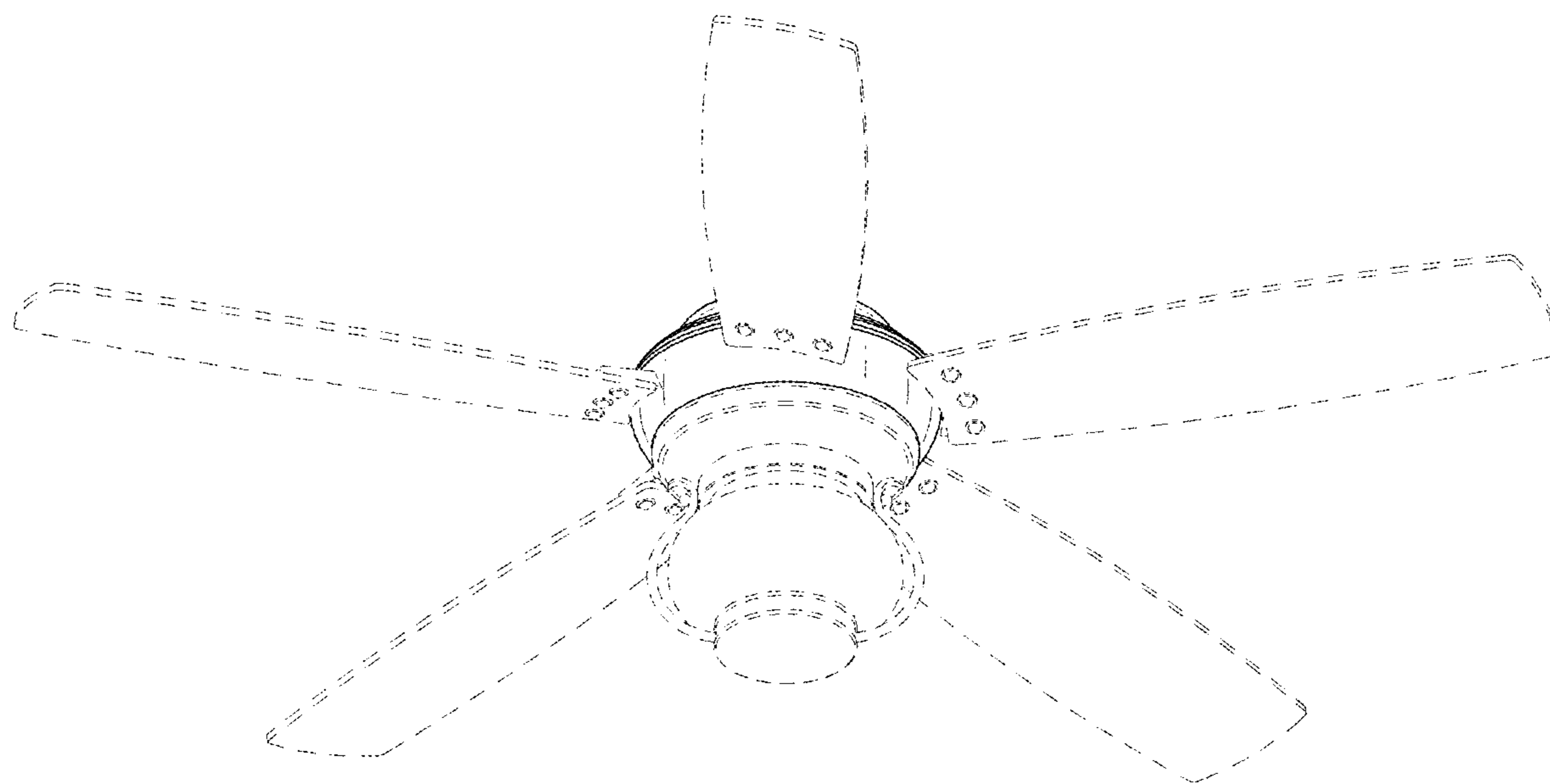


FIG. 8