



US00D884871S

(12) **United States Design Patent**
Schroder

(10) **Patent No.:** **US D884,871 S**

(45) **Date of Patent:** **** May 19, 2020**

(54) **ENCLOSURE VENT**

(71) Applicant: **Robroy Enclosures, Inc.**, Belding, MI (US)

(72) Inventor: **Roger Schroder**, Greenville, MI (US)

(73) Assignee: **Robroy Enclosures, Inc.**, Belding, MI (US)

(**) Term: **15 Years**

(21) Appl. No.: **29/639,912**

(22) Filed: **Mar. 9, 2018**

(51) **LOC (12) Cl.** **23-03**

(52) **U.S. Cl.**
USPC **D23/393**

(58) **Field of Classification Search**
USPC D23/386, 388, 390, 393, 398, 403
CPC B01D 46/0005; F04D 29/4206; F24H 3/0417
See application file for complete search history.

(56) **References Cited**

U.S. PATENT DOCUMENTS

3,013,483	A *	12/1961	Knight	B63J 2/10 454/78
3,524,400	A *	8/1970	Magi	B63J 2/10 454/78
D218,825	S	9/1970	Blumer		
4,050,363	A *	9/1977	Fuerst	B60H 1/30 454/78
4,353,318	A *	10/1982	Williams	B63J 2/06 114/211
D284,604	S	7/1986	Mathis		
D365,873	S *	1/1996	Van Belle	114/201 R
D387,422	S *	12/1997	Radtke	D23/328
D673,245	S	12/2012	Cooney		
D679,796	S *	4/2013	Thomas	D23/387
D748,227	S	1/2016	von Lepel et al.		
D749,197	S	2/2016	von Lepel et al.		

D749,198	S	2/2016	von Lepel et al.		
D749,199	S	2/2016	von Lepel et al.		
D804,643	S *	12/2017	Green	D23/393

OTHER PUBLICATIONS

Galco website, Allied Moulded Products Enclosure Accessories, Earliest Wayback Machine publication date Nov. 3, 2013, [site visited Dec. 26, 2019, Available on the Internet URL <https://web.archive.org/web/20131103075143/http://www.galco.com/buy/Allied-Moulded-Products/amventlg> (Year: 2013).*

Commercial Industrial Supply, Enclosure Vent Kit for JIC Series Enclosures, Earliest Wayback Machine publication date Aug. 5, 2017, [site visited Dec. 26, 2019, Internet URL <https://web.archive.org/web/20170805055852/https://www.commercial-industrial-supply.com/enclosure-vent-kit-for-jic-series-enclosure> (Year: 2017).*

* cited by examiner

Primary Examiner — Karen S Acker

Assistant Examiner — Steven B Reinholdt, Jr.

(74) *Attorney, Agent, or Firm* — The Webb Law Firm

(57) **CLAIM**

The ornamental design for an enclosure vent, as shown and described.

DESCRIPTION

FIG. 1 is a top view of an enclosure vent showing my new design, in accordance with a first embodiment of the present invention;

FIG. 2 is a bottom view thereof;

FIG. 3 is a front elevation thereof;

FIG. 4 is a rear elevation view thereof;

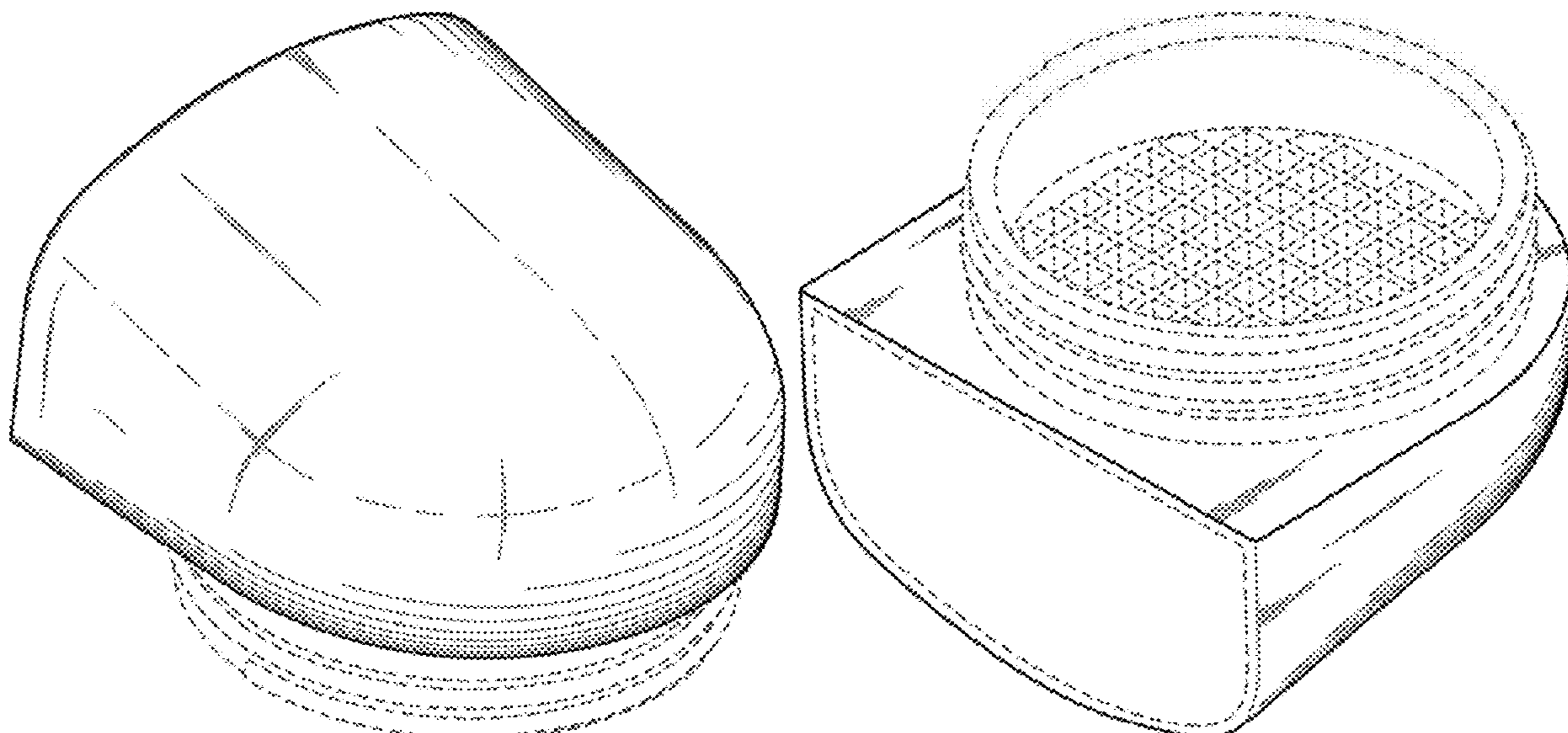
FIG. 5 is a left side elevation thereof, the right side elevation view being a mirror image thereof;

FIG. 6 is an upper front perspective view thereof; and,

FIG. 7 is a lower rear perspective view thereof.

The broken lines and all areas within them adjacent to shaded features depict portions of the enclosure vent that form no part of the claimed design.

1 Claim, 4 Drawing Sheets



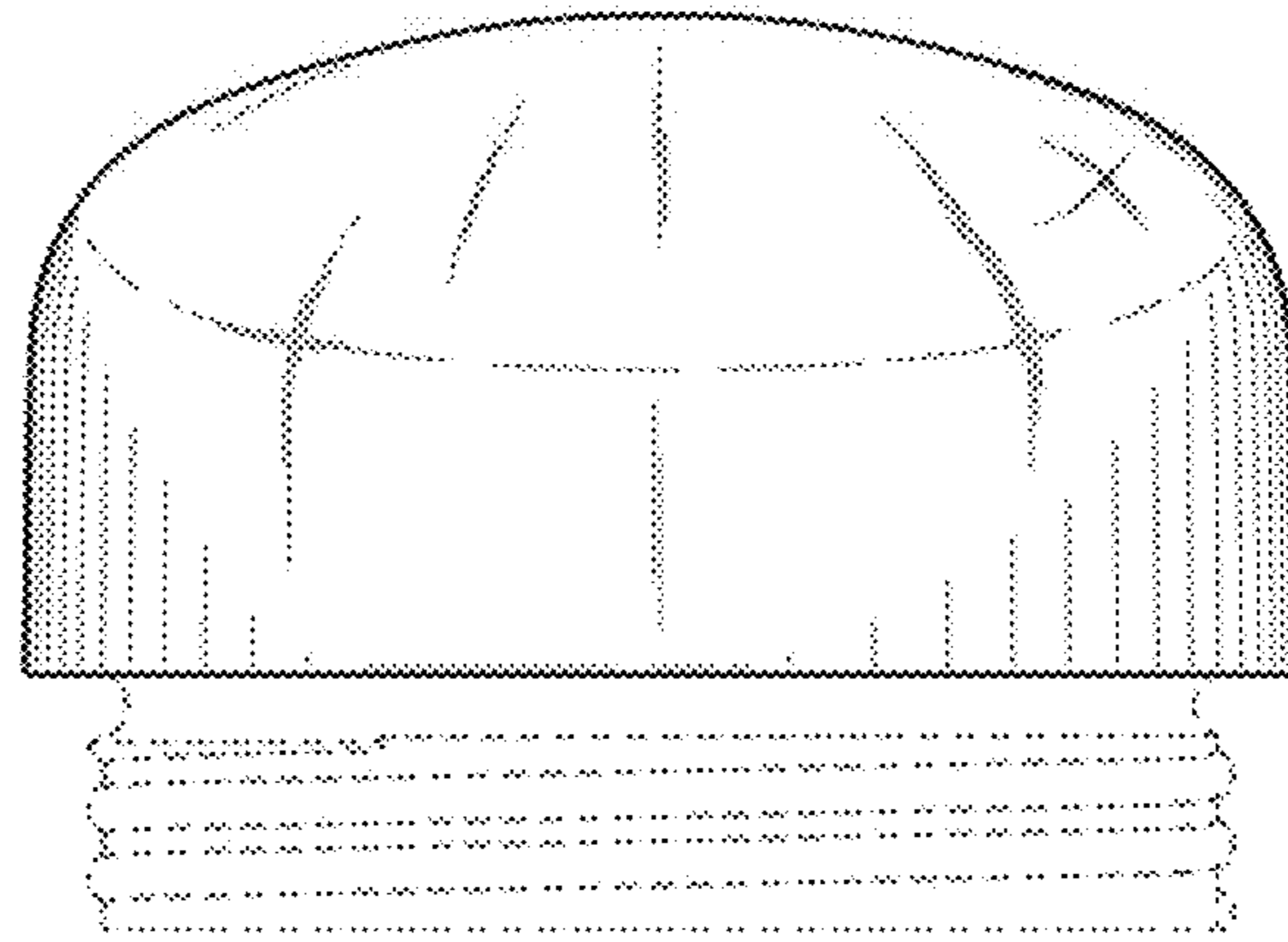


FIG. 1

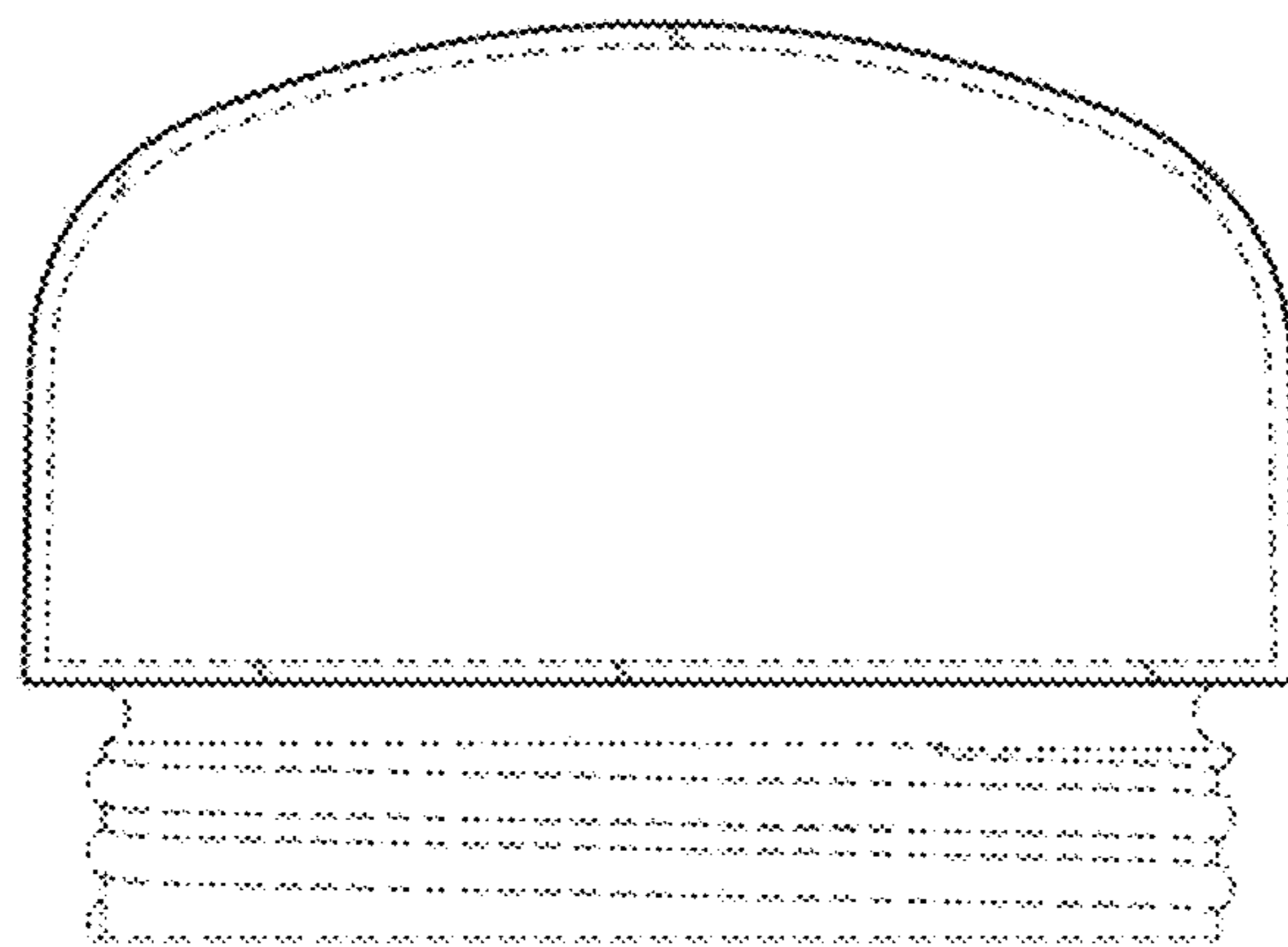


FIG. 2

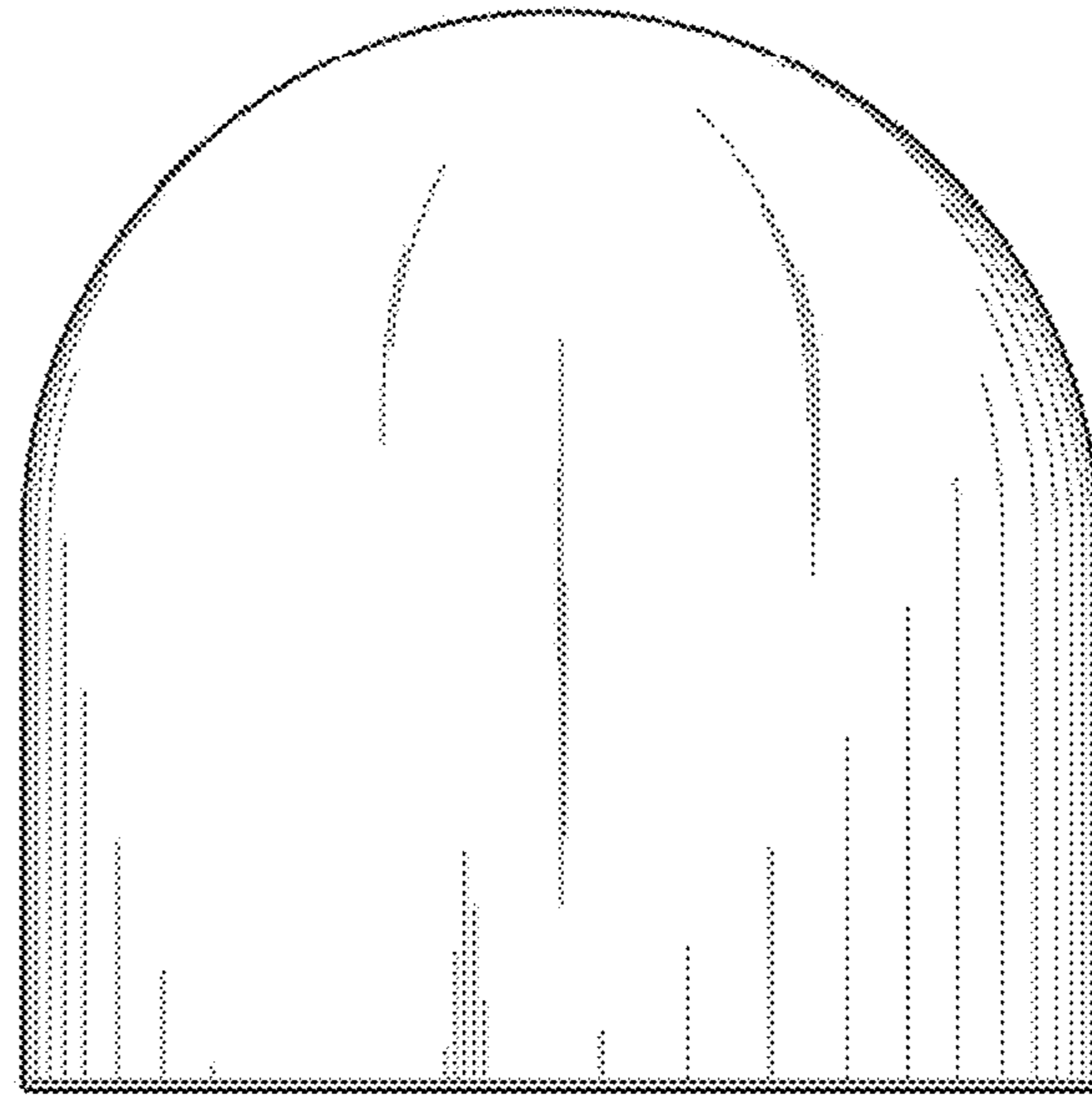


FIG. 3

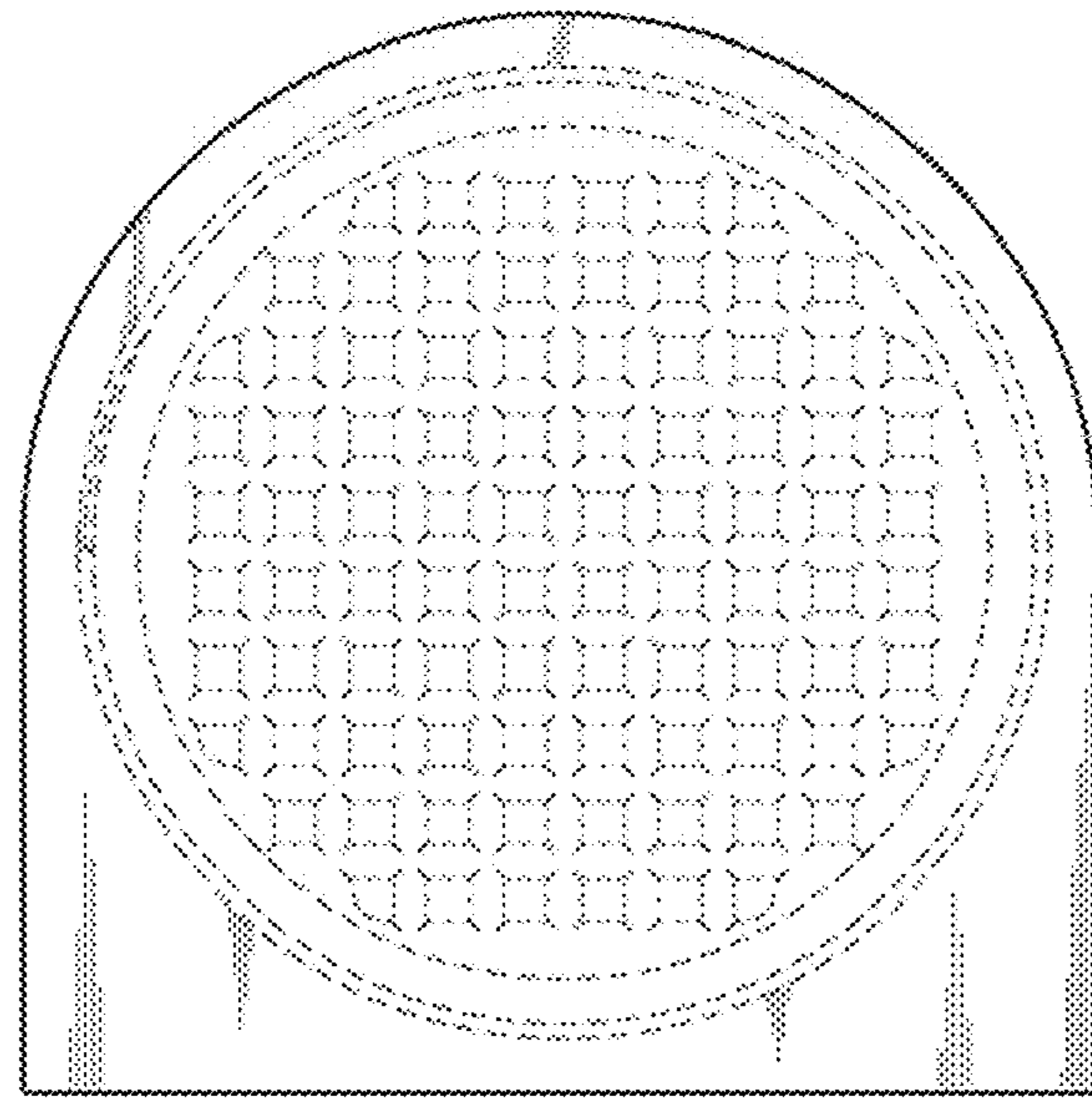


FIG. 4

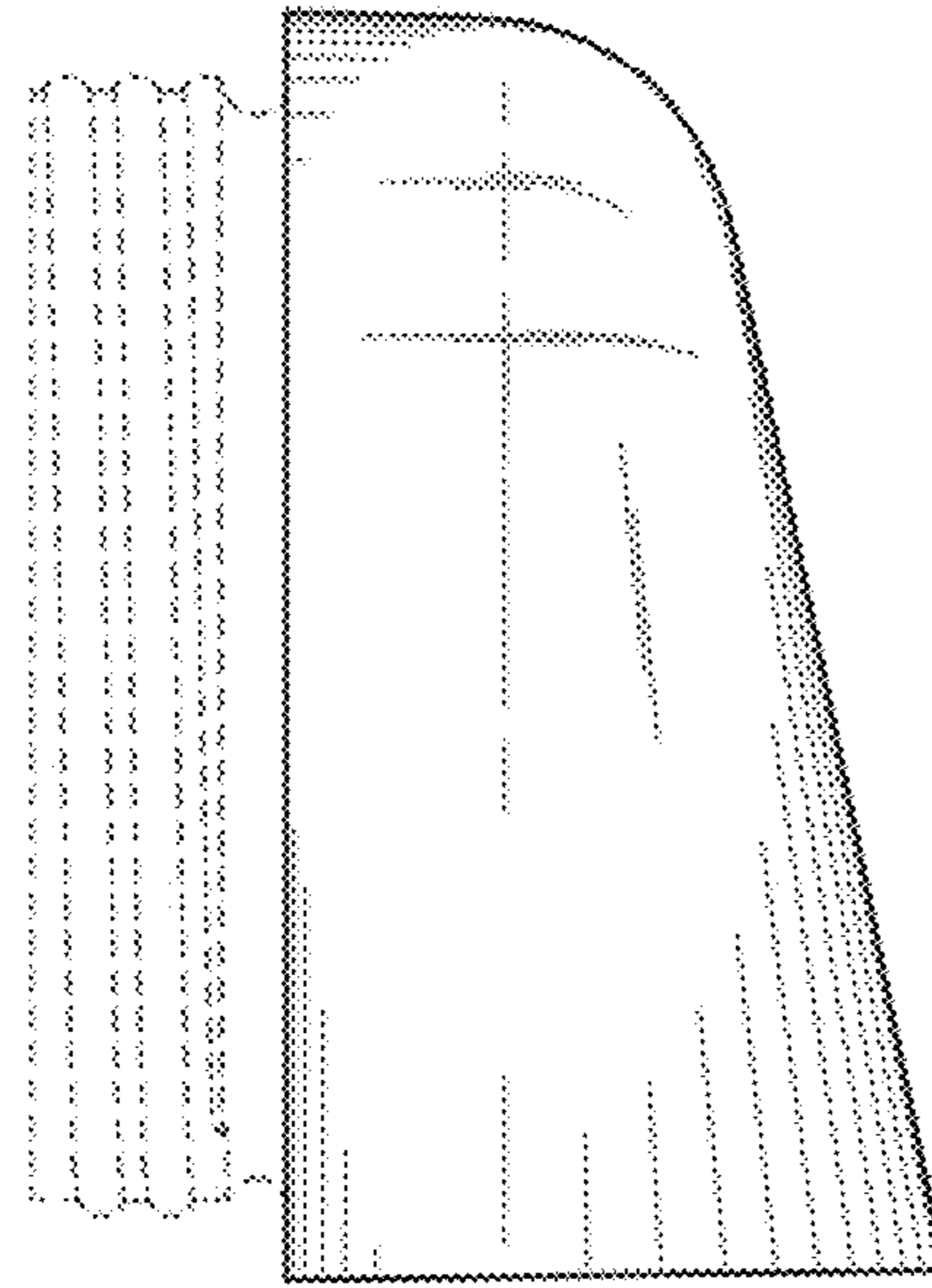


FIG. 5

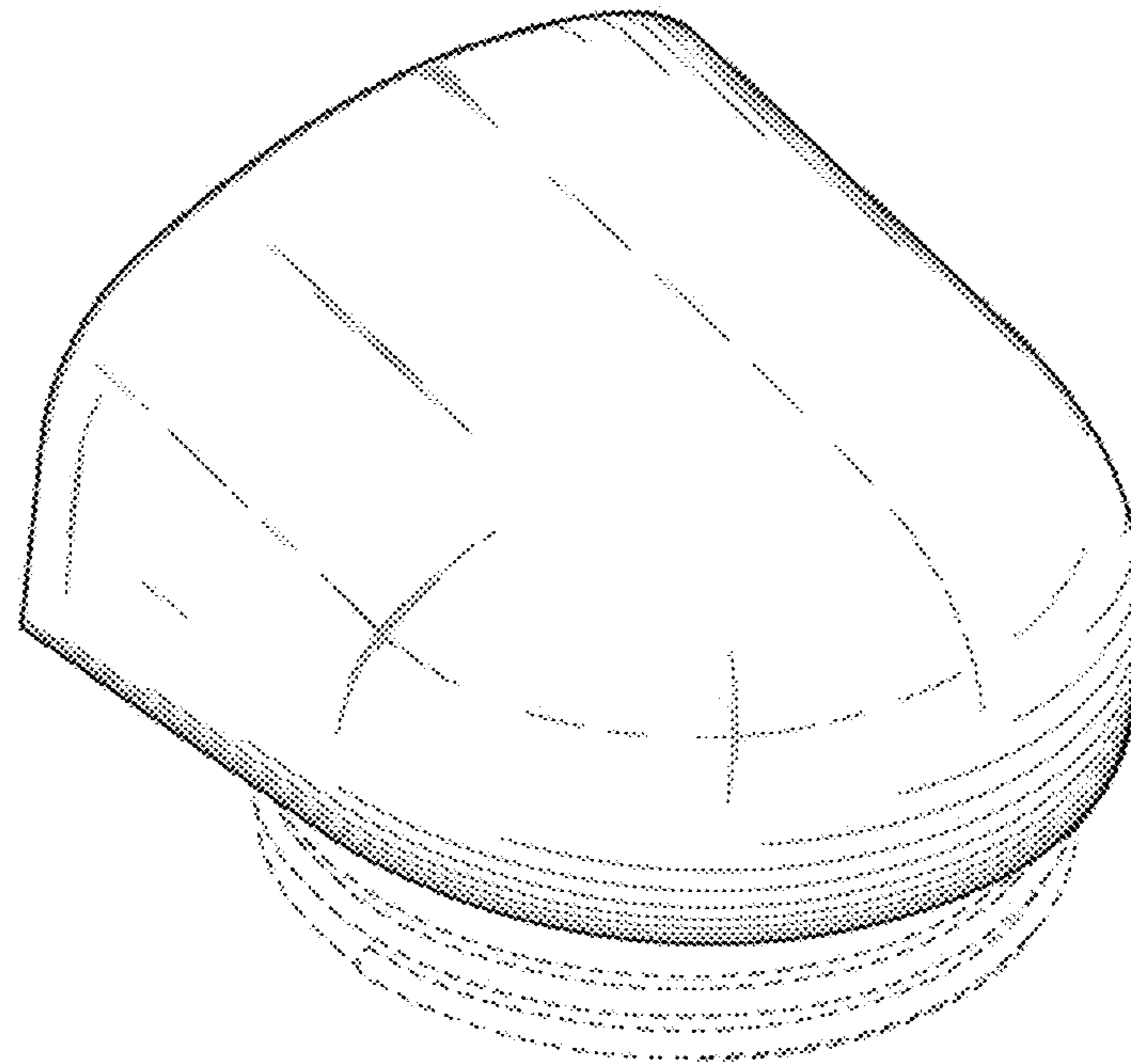


FIG. 6

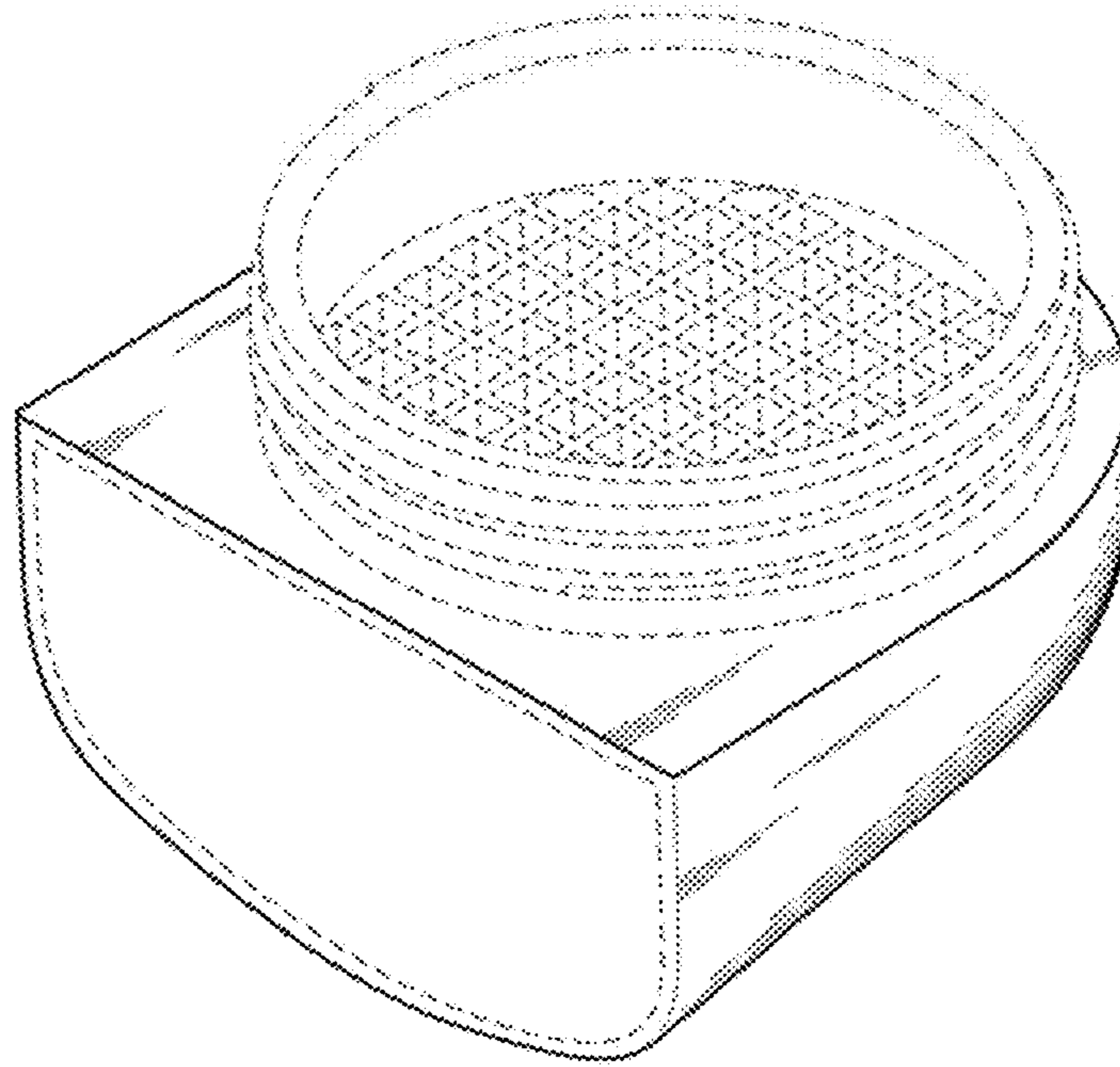


FIG. 7