



US00D884870S

(12) **United States Design Patent**  
**Bergin**

(10) **Patent No.:** **US D884,870 S**  
(45) **Date of Patent:** **\*\* May 19, 2020**

(54) **MODULAR AIR GRILL**

- (71) Applicant: **Dometic Sweden AB**, Solna (SE)
- (72) Inventor: **Bryan B. Bergin**, Granger, IN (US)
- (73) Assignee: **Dometic Sweden AB**, Solna (SE)
- (\*\*) Term: **15 Years**
- (21) Appl. No.: **29/677,547**
- (22) Filed: **Jan. 22, 2019**

**Related U.S. Application Data**

- (62) Division of application No. 29/542,555, filed on Oct. 15, 2015, now Pat. No. Des. 850,609.
- (51) **LOC (12) Cl.** ..... **23-01**
- (52) **U.S. Cl.**  
USPC ..... **D23/387**
- (58) **Field of Classification Search**  
USPC ..... D23/386, 387, 393  
CPC ..... F24F 7/00; F24F 7/02  
See application file for complete search history.

(56) **References Cited**

**U.S. PATENT DOCUMENTS**

964,146 A	7/1910	Clark
RE24,637 E	4/1959	Wulle
3,092,009 A	6/1963	Goettl
3,115,082 A	12/1963	Sanoff
3,171,866 A	3/1965	Meyer et al.
3,528,359 A	9/1970	Sand
3,680,468 A	8/1972	Schueler

(Continued)

**FOREIGN PATENT DOCUMENTS**

AU	201612249	4/2016
AU	201612249	5/2016

(Continued)

**OTHER PUBLICATIONS**

10-Minute Tech, Trailer Life, Jul. 1996, pp. 69-70.

(Continued)

*Primary Examiner* — Charles D Hanson

(74) *Attorney, Agent, or Firm* — Middleton Reutlinger

(57) **CLAIM**

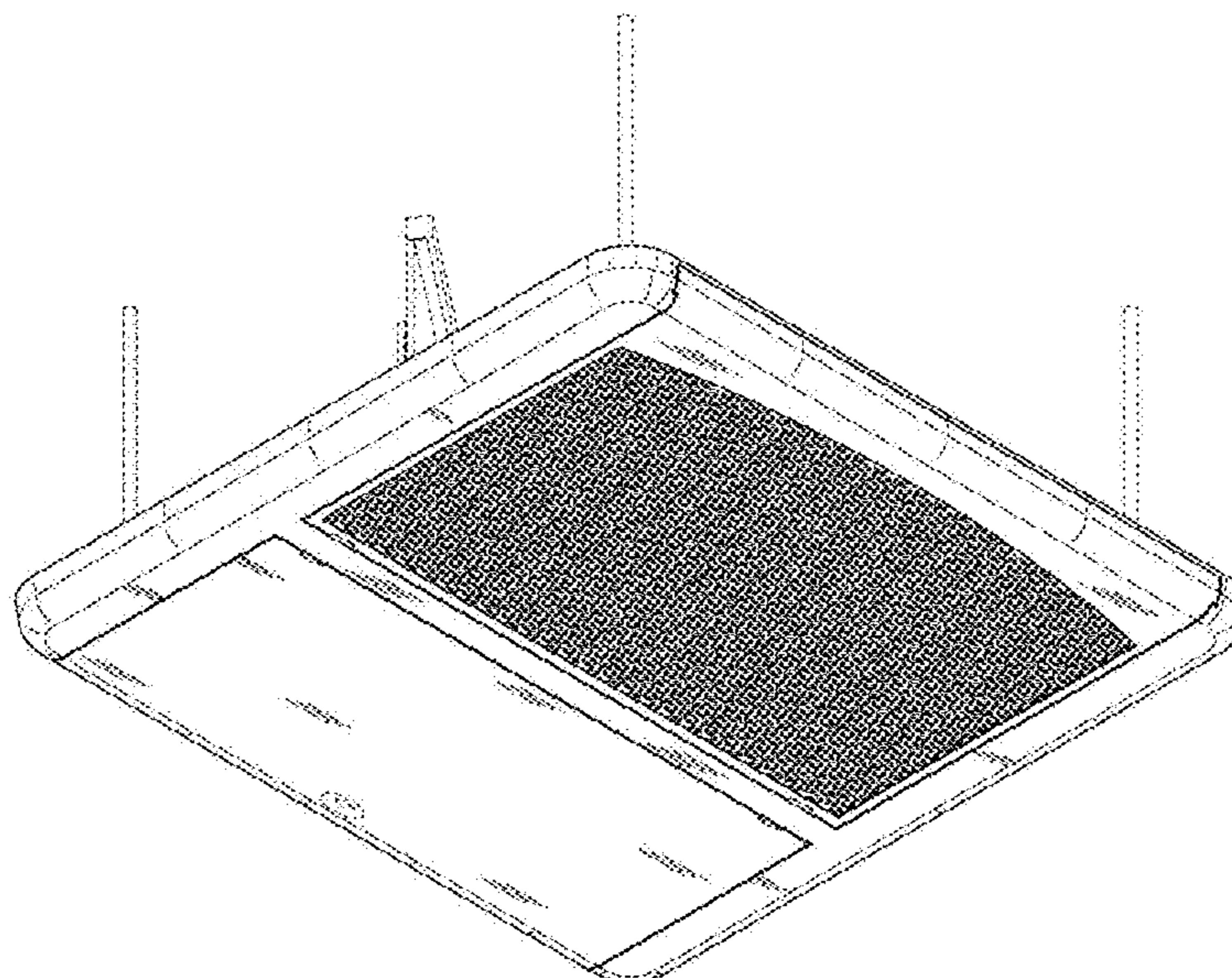
The ornamental design for a modular air grill, as shown and described.

**DESCRIPTION**

FIG. 1 is a perspective view of a first embodiment of a modular air grill;  
 FIG. 2 is a lower plan view of the design of FIG. 1;  
 FIG. 3 is a top plan view of the design of FIG. 1;  
 FIG. 4 is a first side elevational view of the design of FIG. 1;  
 FIG. 5 is a second side elevational view of the design of FIG. 1;  
 FIG. 6 is a front elevational view thereof of the design of FIG. 1;  
 FIG. 7 is a rear elevational view thereof of the design of FIG. 1;  
 FIG. 8 is a lower perspective view of a second embodiment of a modular air grill;  
 FIG. 9 is a plan view of the design of FIG. 8;  
 FIG. 10 is a top plan view of the design of FIG. 8;  
 FIG. 11 is a first side elevational view of the design of FIG. 8;  
 FIG. 12 is a second side elevational view of the design of FIG. 8;  
 FIG. 13 is a front elevational view of the design of FIG. 8;  
 and,  
 FIG. 14 is a rear elevational view thereof of the design of FIG. 8.

The broken line disclosure represents unclaimed portions of the modular air grill in which the design is embodied.

**1 Claim, 14 Drawing Sheets**



(56)

References Cited

U.S. PATENT DOCUMENTS

D226,381 S	2/1973	Harty et al.	6,601,356 B2	8/2003	Snyder
3,727,537 A	4/1973	Harty, Jr.	6,616,523 B1	9/2003	Tani et al.
3,867,486 A	2/1975	Nagele	6,626,003 B1	9/2003	Kortum et al.
3,974,755 A	8/1976	Honmann	6,745,586 B1	6/2004	Reimann et al.
4,189,987 A	2/1980	Amberg et al.	D495,041 S	8/2004	Thomas
D257,637 S	12/1980	Armbruster	6,814,660 B1	11/2004	Cavett
4,502,368 A	3/1985	Hempel	6,857,953 B2	2/2005	Malott
4,502,467 A	3/1985	Smith	6,889,762 B2	5/2005	Zeigler et al.
4,550,648 A	11/1985	Eagle	7,086,740 B2	8/2006	Sample et al.
D284,025 S	5/1986	Armstrong	7,140,192 B2	11/2006	Allen et al.
4,608,834 A	9/1986	Rummer	7,171,822 B2	2/2007	Allen et al.
4,637,299 A	1/1987	Harding	D538,413 S	3/2007	Lyu et al.
4,641,502 A	2/1987	Aldrich et al.	D541,917 S	5/2007	Pfeiffer
4,665,804 A	5/1987	Muyasaka	7,234,315 B2	6/2007	Allen et al.
4,672,818 A	6/1987	Roth	7,237,397 B2	7/2007	Allen
4,690,040 A	9/1987	Barnett	D554,544 S *	11/2007	Englert ..... D10/49
4,693,174 A	9/1987	Anderson	D560,785 S	1/2008	Galeazzi
4,709,623 A	12/1987	Roth et al.	7,316,119 B2	1/2008	Allen
D296,583 S	7/1988	Barradas	7,334,834 B2 *	2/2008	Hill ..... B60H 1/00378 296/190.09
4,760,773 A	8/1988	Pezzulli	7,441,414 B2	10/2008	Zeigler et al.
D300,777 S	4/1989	Bales et al.	7,448,227 B2	11/2008	Zeigler et al.
4,840,422 A *	6/1989	Engel ..... B62D 35/001 296/180.4	7,454,922 B2	11/2008	Zeigler et al.
D306,341 S	2/1990	Bales et al.	7,591,143 B2	9/2009	Zeigler et al.
5,056,262 A	10/1991	Schweiss et al.	7,591,303 B2	9/2009	Zeigler et al.
5,176,570 A	1/1993	Liedl	D619,151 S *	7/2010	Tsuji ..... D15/79
D343,894 S	2/1994	Anderson	7,797,958 B2	9/2010	Alston et al.
5,307,645 A	5/1994	Pannell	7,832,221 B2	11/2010	Wijaya et al.
5,366,149 A	11/1994	Kline	D629,094 S	12/2010	Thomas
5,403,183 A	4/1995	Andersson et al.	7,845,187 B2	12/2010	Patel et al.
D360,681 S	7/1995	Chopko	7,934,387 B2	5/2011	Lee et al.
5,435,781 A	7/1995	Kitchens	7,963,117 B2	6/2011	Allen et al.
D367,524 S	2/1996	Waldschmidt et al.	8,015,833 B2	9/2011	Cikanek et al.
5,494,244 A	2/1996	Walton	8,096,482 B2	1/2012	Dage
5,501,634 A *	3/1996	Wilder ..... B60H 1/00378 454/109	8,171,866 B2	5/2012	Dunstan
5,531,641 A	7/1996	Aldrich	D661,386 S	6/2012	Bergin
5,556,335 A	9/1996	Holyoake	8,249,749 B2	8/2012	Dage et al.
5,588,910 A	12/1996	Hutter et al.	D672,450 S	12/2012	Milks et al.
5,632,156 A	5/1997	Takeo et al.	8,453,722 B2	6/2013	Zeigler et al.
5,643,081 A	7/1997	Klein	8,535,127 B2	9/2013	Malott
D391,632 S	3/1998	Thomas	8,568,209 B2	10/2013	Boxum
5,727,998 A	3/1998	Kreuger et al.	D712,531 S	9/2014	Bergin
5,752,877 A	5/1998	Sun	D715,907 S	10/2014	Bergin
5,765,383 A	6/1998	Inoue	D716,925 S	11/2014	Bergin
5,860,856 A	1/1999	Teich et al.	D782,939 S	4/2017	Allard et al.
5,863,310 A	1/1999	Brown et al.	9,631,832 B2	4/2017	Malott
5,964,910 A	10/1999	Keele	D785,771 S	5/2017	Bergin et al.
D424,184 S	5/2000	Chang-Kwon	D785,772 S	5/2017	Bergin
6,066,041 A	5/2000	Hernandez et al.	D817,466 S	5/2018	Moseley
6,073,456 A	6/2000	Kawai et al.	9,975,405 B2 *	5/2018	Siddiqui ..... B60H 1/00364
6,076,370 A *	6/2000	Da Silva ..... F24F 1/022 454/202	D824,499 S	7/2018	Williamson et al.
D428,480 S	7/2000	Flanagan	2001/0053668 A1	12/2001	Berger
6,101,829 A	8/2000	Robinson	2003/0162492 A1	8/2003	Caferro et al.
6,149,513 A	11/2000	Lyu	2003/0220070 A1 *	11/2003	Orendorff ..... F24F 13/082 454/324
D435,639 S	12/2000	Slavonia et al.	2004/0005854 A1	1/2004	Shin
6,171,062 B1	1/2001	Bucher et al.	2004/0038643 A1	2/2004	Katagiri et al.
D437,396 S	2/2001	Flanagan	2004/0072532 A1	4/2004	Cho
6,196,914 B1	3/2001	Lyu	2004/0127152 A1 *	7/2004	Malott ..... B60H 1/00364 454/136
6,234,893 B1	5/2001	Meredith	2005/0087332 A1	4/2005	Umeo et al.
6,241,794 B1	6/2001	Jadran et al.	2005/0227609 A1	10/2005	Koessler
6,250,373 B1	6/2001	Vecchi et al.	2006/0026936 A1	2/2006	Paumier et al.
6,257,976 B1	7/2001	Richardson, III	2006/0052050 A1	3/2006	Malott et al.
6,302,780 B1	10/2001	Ahn et al.	2006/0083889 A1	4/2006	Schuckers
6,339,934 B1	1/2002	Yoon et al.	2007/0000265 A1	1/2007	McEnaney et al.
D454,625 S	3/2002	Flanagan	2007/0066215 A1	3/2007	Song et al.
6,351,957 B2	3/2002	Hara	2007/0131408 A1	6/2007	Zeigler et al.
6,367,270 B2	4/2002	Niimi et al.	2007/0157522 A1	7/2007	Hebert et al.
6,370,899 B1	4/2002	Hobbs et al.	2007/0227693 A1	10/2007	Allen et al.
6,370,906 B1	4/2002	Kuo	2007/0287374 A1	12/2007	Day et al.
6,415,622 B2	7/2002	Kim et al.	2007/0298702 A1	12/2007	Boxum
6,536,222 B1	3/2003	Ahn et al.	2007/0299560 A1	12/2007	LaHue et al.
6,554,880 B1	4/2003	Northcutt	2008/0014852 A1	1/2008	Mielke et al.
6,571,572 B2	6/2003	Hobbs et al.	2008/0034767 A1	2/2008	Ziehr et al.
			2008/0146136 A1	6/2008	Degutis et al.
			2009/0098820 A1	4/2009	Yabu
			2010/0053668 A1	3/2010	Huh et al.
			2010/0089563 A1	4/2010	Sundhar

(56)

References Cited

U.S. PATENT DOCUMENTS

2010/0224754	A1*	9/2010	Khan .....	B60H 1/3232 248/672
2011/0016894	A1	1/2011	Lemon et al.	
2011/0067420	A1	3/2011	Alston et al.	
2011/0302942	A1*	12/2011	Birchard .....	B60H 1/3232 62/159
2012/0210733	A1	8/2012	Kolavennu et al.	
2012/0247131	A1	10/2012	Esch	
2012/0324927	A1	12/2012	Suzuki	
2013/0047648	A1	2/2013	Zeigler et al.	
2013/0109294	A1	5/2013	Tolinski et al.	
2013/0157557	A1*	6/2013	Malott .....	F24F 13/06 454/292
2013/0205811	A1	8/2013	Esch	
2014/0033742	A1	2/2014	Esch	
2014/0188313	A1	7/2014	Huang	
2014/0223928	A1	8/2014	Esch	
2014/0260393	A1	9/2014	Siddiqui	
2015/0087216	A1	3/2015	Stover et al.	
2015/0107814	A1	4/2015	Jeong	
2015/0251521	A1	9/2015	Brauer et al.	
2015/0352924	A1*	12/2015	Allard .....	B60H 1/00364 454/94
2016/0076271	A1	3/2016	Reinking	
2016/0207372	A1	7/2016	Parry	

FOREIGN PATENT DOCUMENTS

AU	201613590	5/2016
AU	3067405	7/2016
AU	201613591	7/2016
AU	201613592	7/2016
AU	201613593	7/2016
AU	201712794	5/2017
AU	201712798	5/2017
CA	1011592	6/1977
CA	1011592 A	6/1977
CA	167431	3/2016
CA	172872	3/2016
CA	172873	3/2016
CA	172874	3/2016
CA	165232	5/2016
CA	165233	5/2016
CA	167431 S	2/2017
CA	172872 S	2/2017
CA	172873 S	2/2017
CA	172874 S	2/2017
CN	201630322524.2	4/2017
EM	003323740	7/2016
EM	003421643	10/2016
EM	003479179	11/2016
EP	0064769 A1	11/1982
EP	0180053	10/1985
EP	0180053 A2	5/1986
EP	0064769	8/1986
EP	1681517	7/2006
EP	1681517 A1	7/2006
EP	1832452	9/2007
EP	1832452 A2	9/2007
FR	2087220	12/1971
FR	2087220 A7	12/1971
GB	2297157	7/1996
GB	2297157 A	7/1996
JP	52137854	11/1977
JP	S52137854 A	11/1977
JP	2004125338	4/2004
JP	2004125338 A	4/2004
KR	2005119747	12/2005
KR	20070060394 A	6/2007
WO	2004099681	11/2004
WO	2004099681 A1	11/2004
WO	2014143181	9/2014
WO	2014143181 A1	9/2014
WO	15134185	9/2015

OTHER PUBLICATIONS

Dometic, Duo-Therm, p. 140.

Canadian Intellectual Property Office; Office Action for Related Canadian Application No. 167431; dated Oct. 8, 2016.

Examiner's Report mailed in CA Design Application No. 167431 dated Oct. 8, 2016.

Requirement for Restriction/Election mailed in Design U.S. Appl. No. 29/542,555 dated Sep. 7, 2018.

Notice of Allowance mailed in Design U.S. Appl. No. 29/542,555 dated Jan. 9, 2019.

International Search Report and Written Opinion for PCT/US2013/065458 dated Jan. 29, 2014.

Canadian Patent Application 2,906,348 as filed (national stage entry date) dated Sep. 14, 2016.

Design U.S. Appl. No. 29/542,555, filed Oct. 15, 2015 entitled Modular Air Grill.

American RV Company, Dometic 459530 Duo Therm 13,500 BTU Brisk Air Conditioner High Efficiency Upper Unit Trailer Camper RV, Mar. 23, 2014 <https://web.archive.org/web/20140323013456/http://www.americanrvcompany.com/Dometic-459530-Duo-Therm-13500-BTU-Brisk-Air-Conditioner-High-Efficiency-Upper-Unit-Trailer-Camper-RV> Mar. 23, 2014.

American RV Company, Dometic 541815 High Performance 13,500 BTU Air Conditioner Upper Unit CCC2 Required Electronics Pre-Installed Camper Trailer RV, <http://www.americanrvcompany.com/Dometic-541815-High-Performance-13500-BTU-Air-Conditioner-Upper-Unit-CCC2-Required-Electronics-Pre-Installed-Camper-Trailer-RV> Mar. 23, 2014.

American RV Company, Dometic 541816 High Performance 15,000 BTU Air Conditioner Upper Unit CCC2 Required Electronics Pre-Installed Camper Trailer RV, <http://www.americanrvcompany.com/Dometic-541816-High-Performance-15000-BTU-Air-Conditioner-Upper-Unit-CCC2-Required-Electronics-Pre-Installed-Camper-Trailer-RV> Mar. 23, 2014.

American RV Company, Dometic 541916 High Performance 15,000 BTU Air Conditioner Upper Unit Single Zone LCD Thermostat Required Electronics Pre-Installed Camper Trailer RV, <http://www.americanrvcompany.com/Dometic-541916-High-Performance-15000-BTU-Air-Conditioner-Upper-Unit-Single-Zone-LCD-Thermostat-Required-Electronics-Pre-Installed-Camper-Trailer-RV> Mar. 23, 2014.

American RV Company, Dometic 551816 High Performance 15,000 BTU Heat Pump for Comfort Control Center II Camper Trailer RV, <http://www.americanrvcompany.com/Dometic-551816-High-Performance-15000-BTU-Heat-Pump-for-Comfort-Control-Center-II-Camper-Trailer-RV> Mar. 23, 2014.

Australian Patent Application 2017220186 entitled "Parking Cooler" filed Jan. 11, 2017.

Chinese Patent Application 201710040123.1 entitled "Parking Cooler" filed Jan. 18, 2017.

European Patent Application 17152275.8 entitled "Parking Cooler" filed Jan. 19, 2017.

Dirna Bergstrom: Parking Coolers—No-Idle Electrical A/C—MiniCool Compact 1.4; <http://www.dirna.com/parking-coolers-no-idle-electrical-ac-compact/> Mar. 17, 2015.

Dirna Bergstrom: Slim Cool; <http://www.dirna.com/files/dirna-manuals/220RE00183.pdf> May 21, 2014.

Dometic Corporation, Dometic High Performance Air Conditioners, 2 pages, Jan. 1, 2011.

Dometic Group: "Climate Control", <http://www.dometic.com/enus/Americas/USA/RV-Products/climate>, 2 pages.

Dometic Waeco Coolair RT 880; <http://www.dometic.co.uk/product/waeco-coolair-rt-880-2/> May 14, 2015.

Eberspacher Cooltronic Parking Coolers with High Efficiency with the Engine OFF; <http://www.eberspacher.com/products/air-conditioning/cooltronic-truck-parking-coolers.html> Jun. 23, 2015.

European Design Patent Application No. 003300219 entitled "Air Shroud Assembly" filed Jul. 8, 2016.

Indelb; WO Oblo'; Sleeping Well Oblo; [http://www.indelb.com/products/parking\\_air\\_cooler/sleeping\\_well/sw\\_oblo](http://www.indelb.com/products/parking_air_cooler/sleeping_well/sw_oblo) Apr. 1, 2016.

Design U.S. Appl. No. 29/573,473 entitled "Recreational Vehicle Air-Conditioning Unit" filed Aug. 5, 2016.

(56)

**References Cited**

OTHER PUBLICATIONS

Design U.S. Appl. No. 29/581,176 entitled "Air-Conditioning Unit" filed Oct. 17, 2016.

Design U.S. Appl. No. 29/594,476 entitled "Shroud Assembly" filed Feb. 17, 2017.

Design U.S. Appl. No. 29/595,019 entitled "Air Shroud Assembly" filed Jan. 19, 2016.

Design U.S. Appl. No. 29/604,433 entitled "Air Conditioning Apparatus" filed May 17, 2017.

Utility U.S. Appl. No. 15/407,709 entitled "Parking Cooler" filed Jan. 17, 2017.

WEBASTO: Rooftop air conditioning systems: Rooftop 3.5-9.9 kw; <http://www.eberspacher.com/products/air-conditioning/cooltronic-truck-parking-coolers.html> May 14, 2014.

WEBASTO; Truck parking cooler: Cool Top Vario 10 E; <http://www.webasto.com/gb/markets-products/truck/air-conditioning/products/cool-top-vario/> Apr. 25, 2016.

Youtube; Viesla Kompressor; <https://www.youtube.com/watch?v=SPK17XEvVL0> May 22, 2012 ([https://www.google.com/?gws\\_rd=ssl#q=https://www.youtube.com/watch?v%3DSPK17XEvVL0&spf=1495819902591](https://www.google.com/?gws_rd=ssl#q=https://www.youtube.com/watch?v%3DSPK17XEvVL0&spf=1495819902591)).

Chinese Patent Application 201730179867.2 entitled "Air conditioning apparatus Ventilation and air conditioning equipment" filed May 16, 2017.

Design U.S. Appl. No. 29/581,176 entitled "Air-Conditioning Unit" dated Oct. 17, 2016.

Design U.S. Appl. No. 29/552,019 entitled "Air Shroud Assembly" dated Jan. 19, 2016.

\* cited by examiner

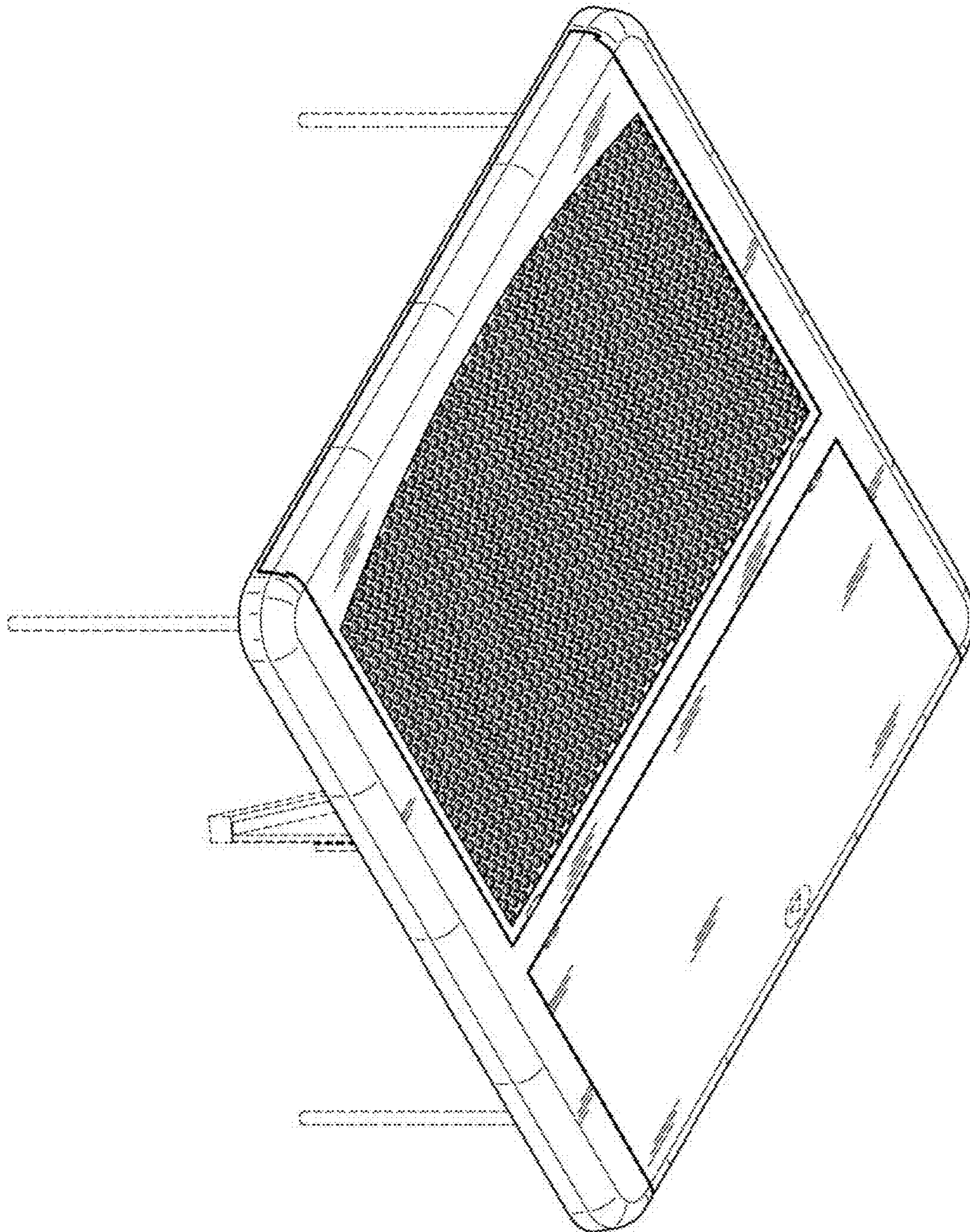


FIG. 1

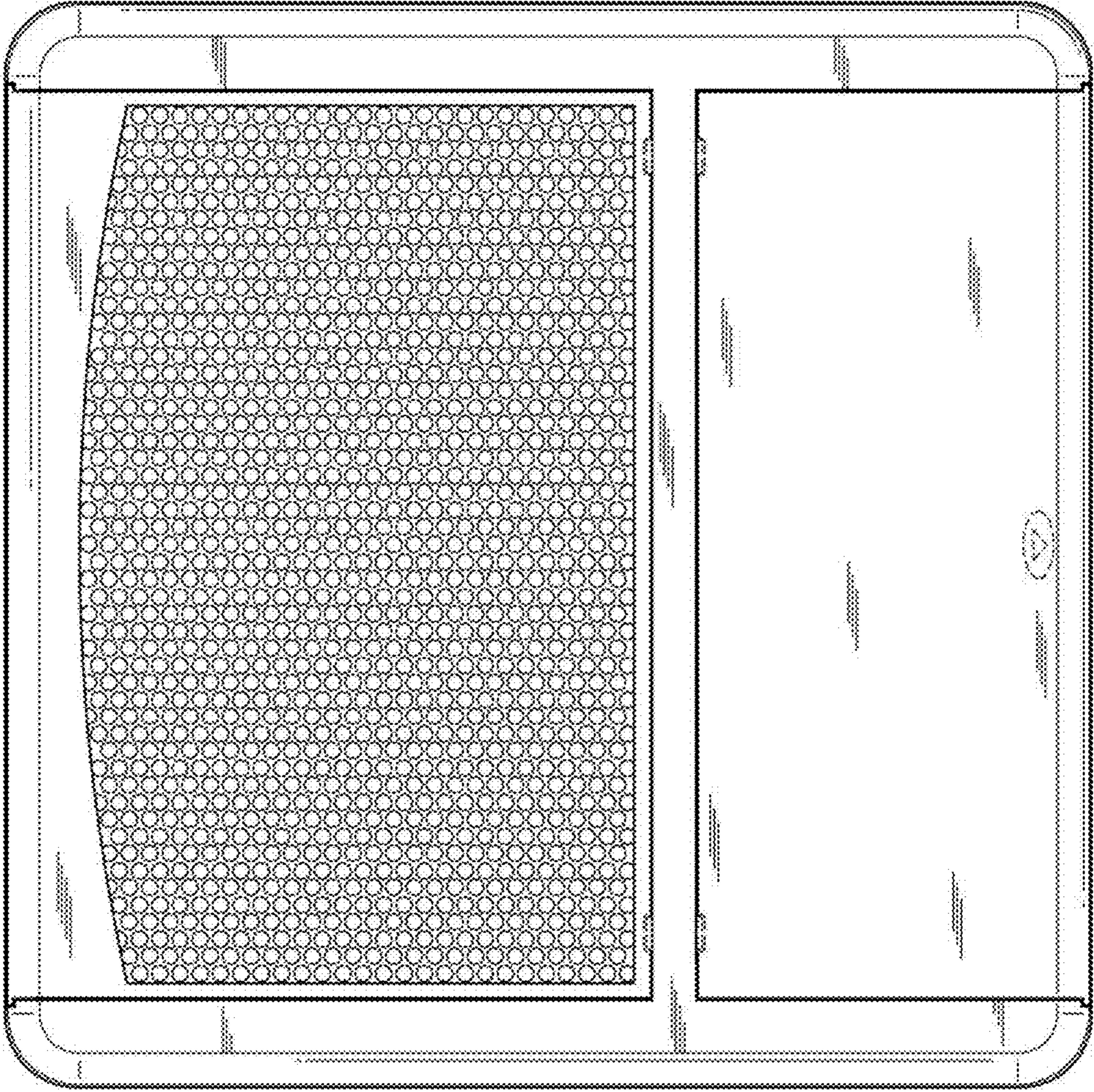


FIG. 2

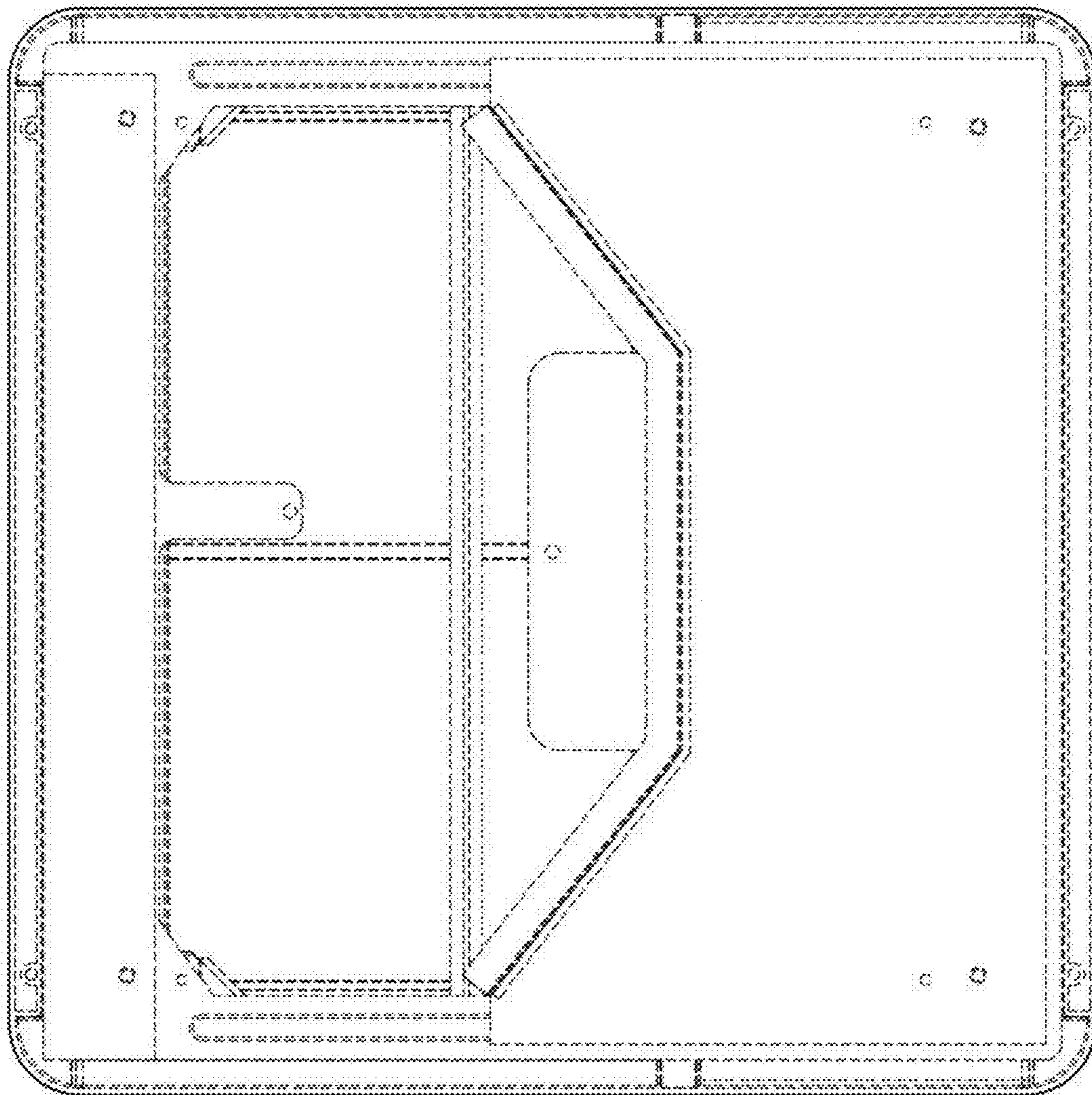


FIG. 3

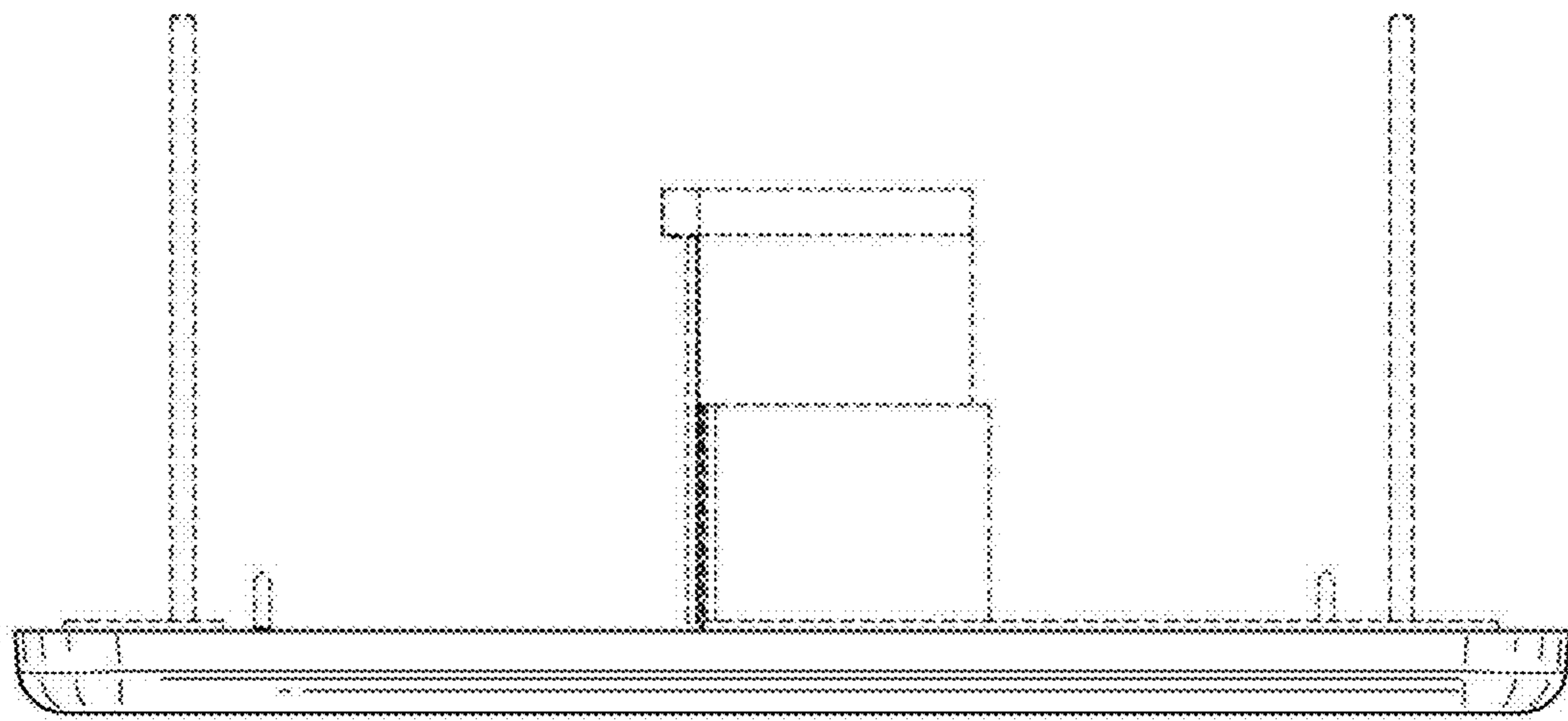


FIG. 4



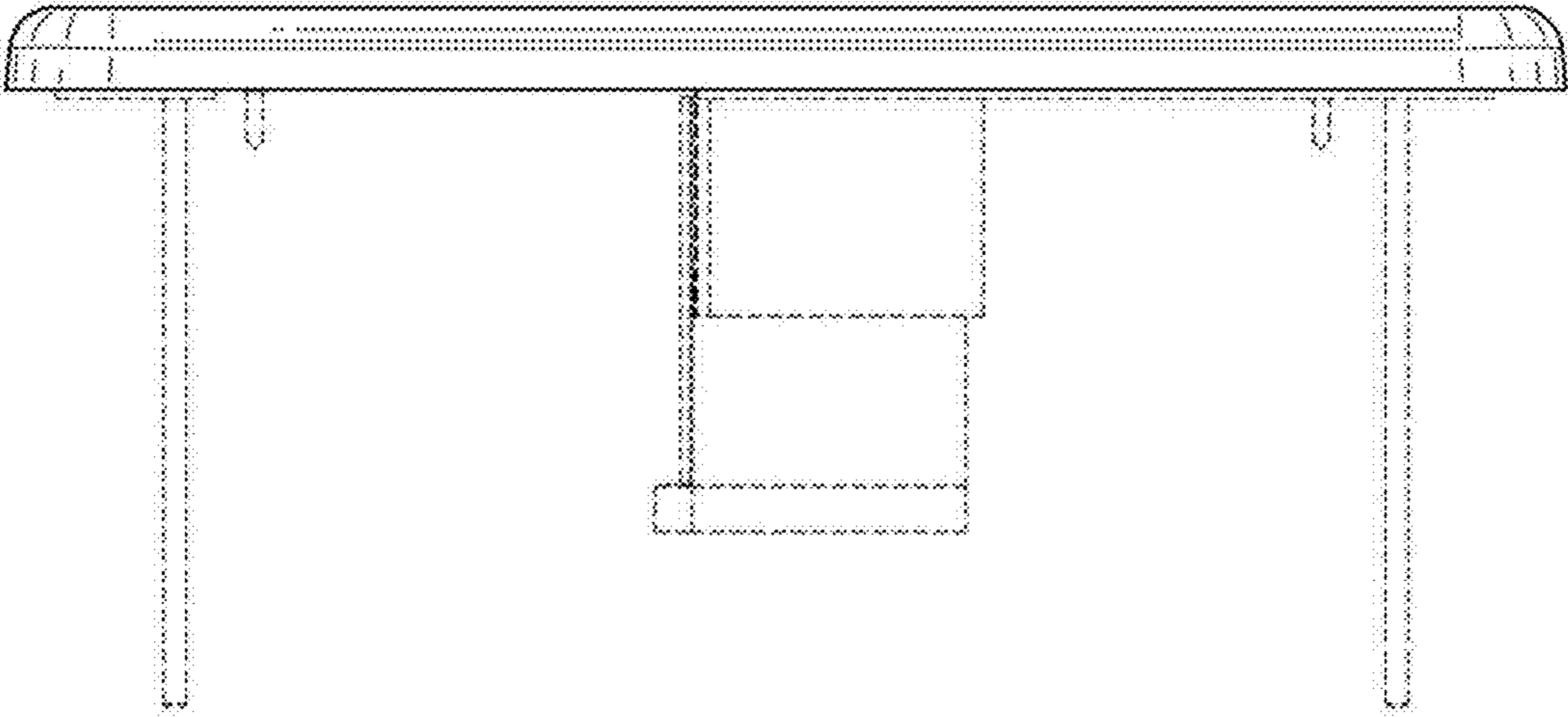


FIG. 5

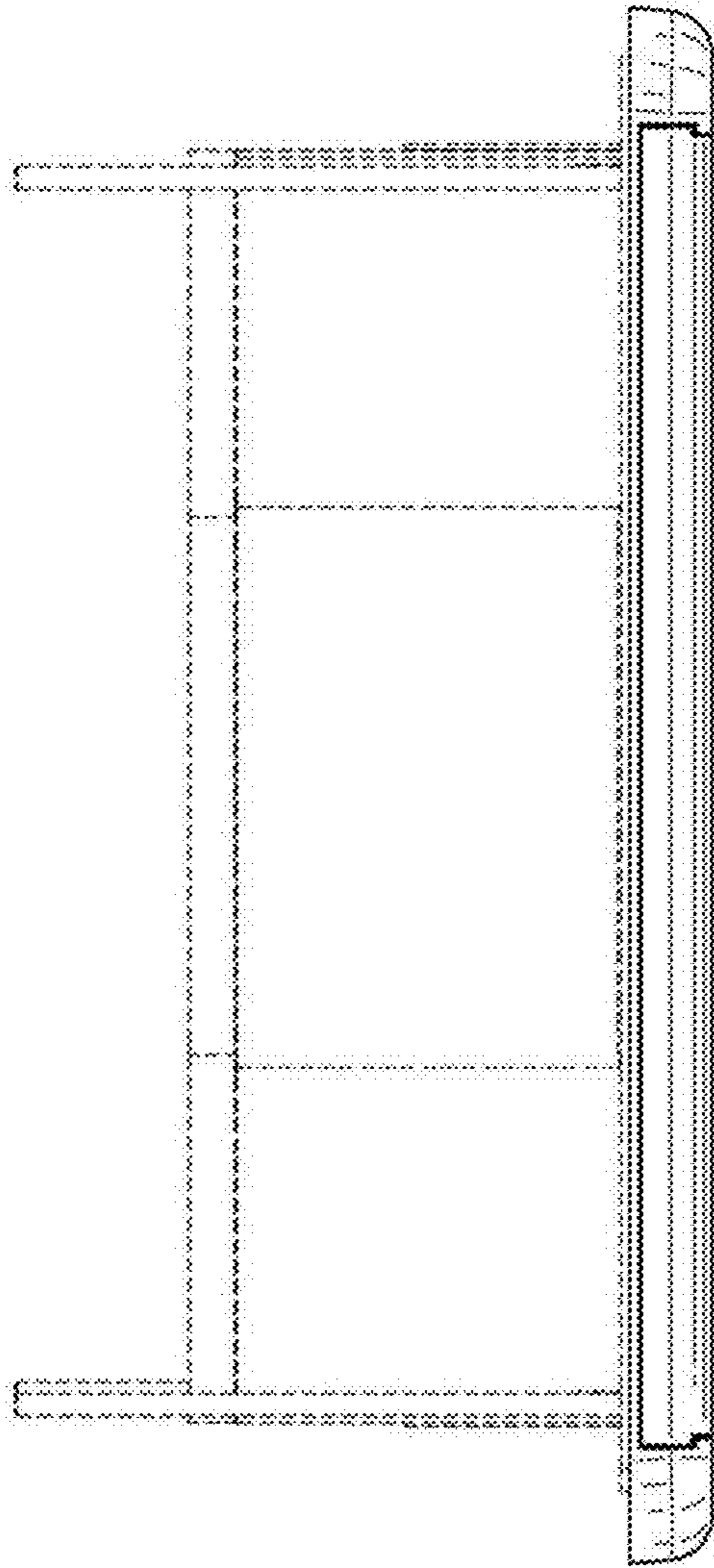


FIG. 6

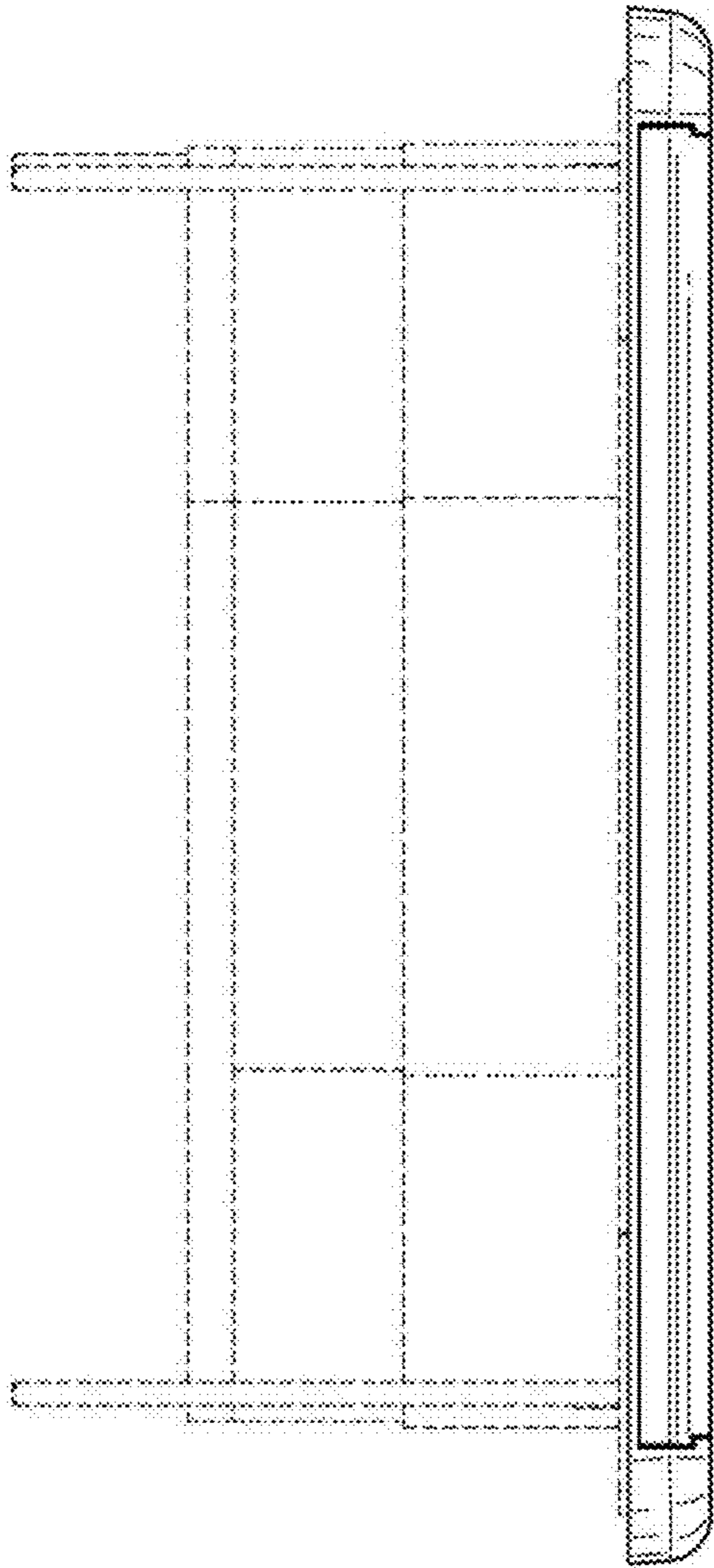


FIG. 7

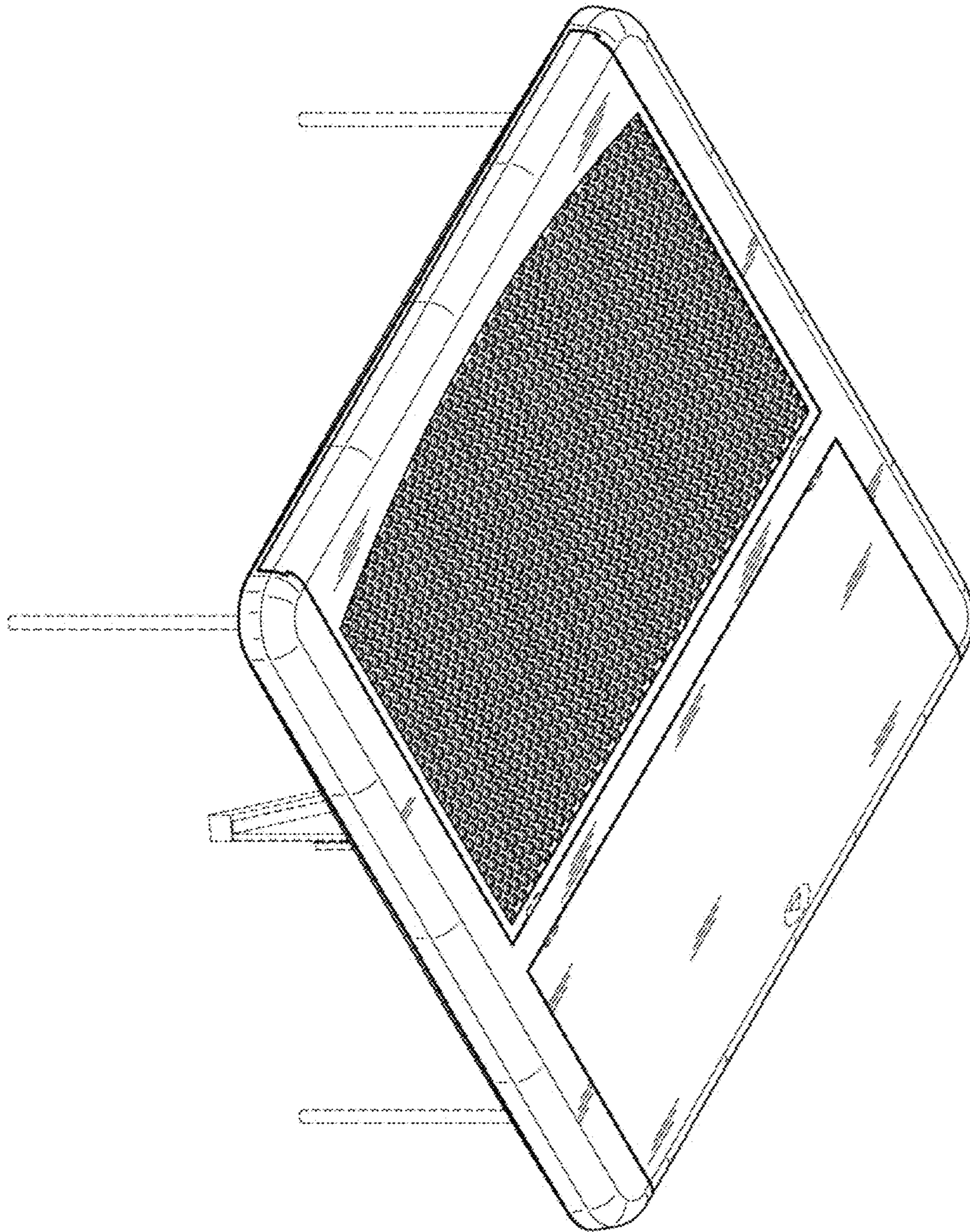


FIG. 8

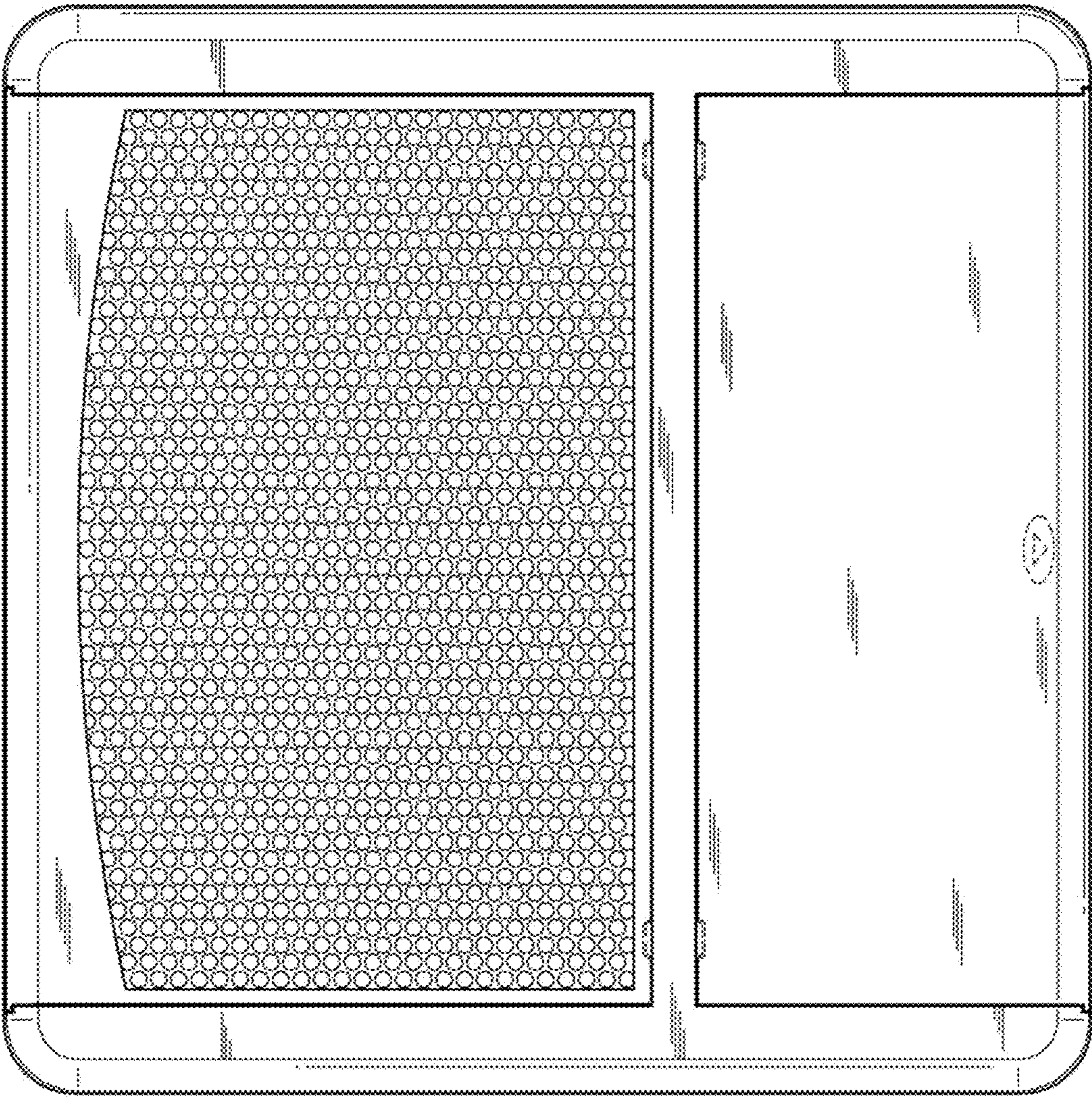


FIG. 9

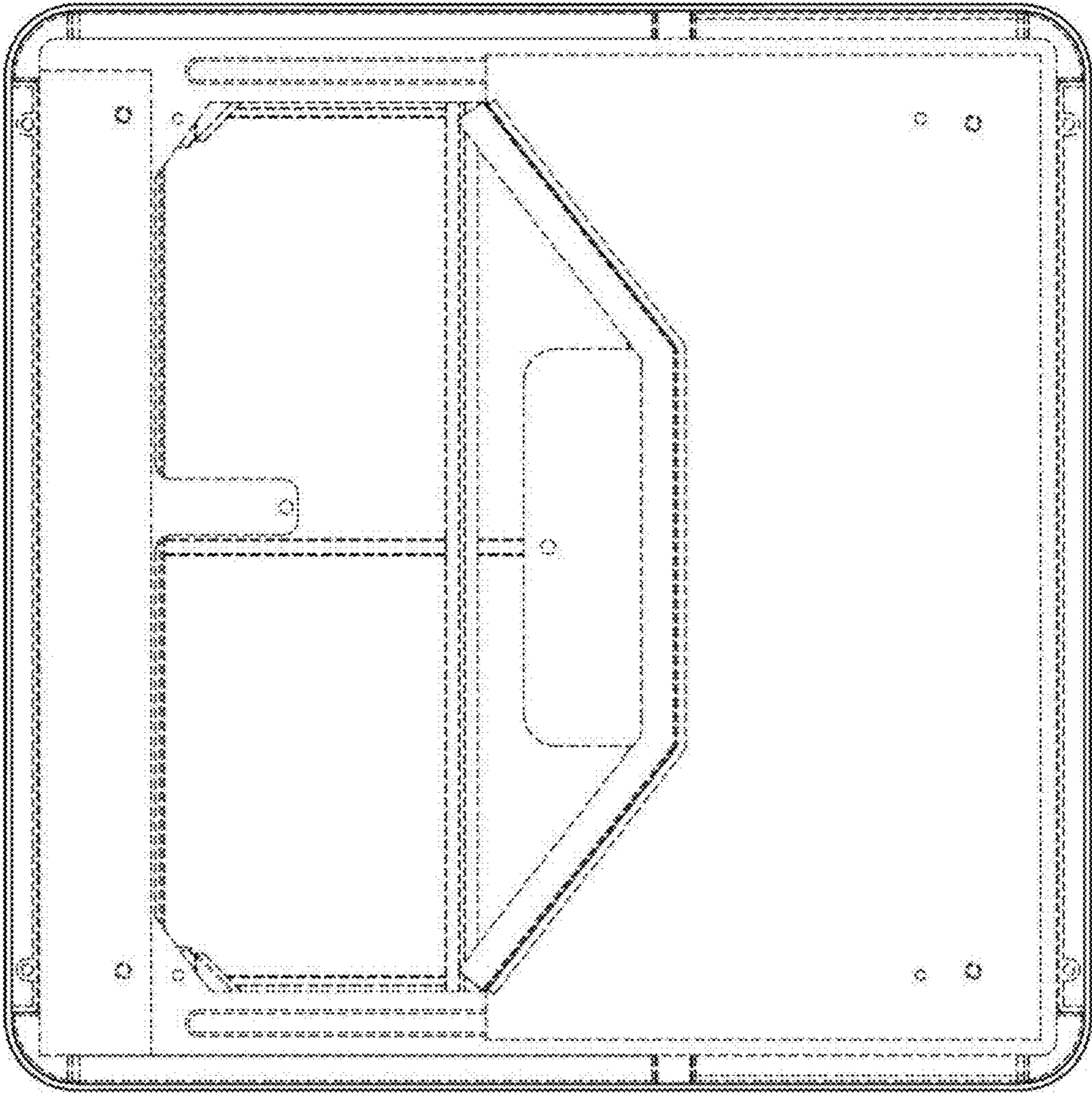


FIG. 10

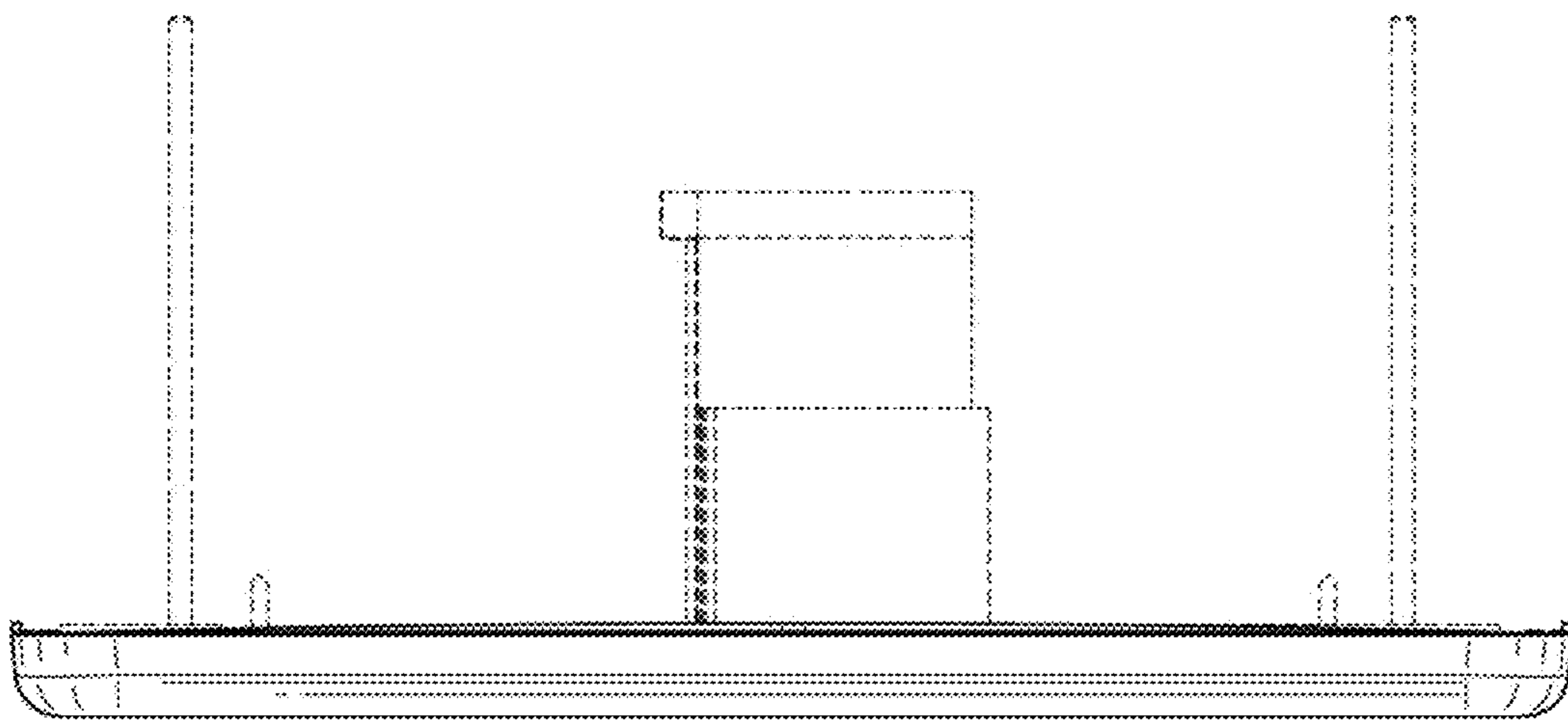


FIG. 11

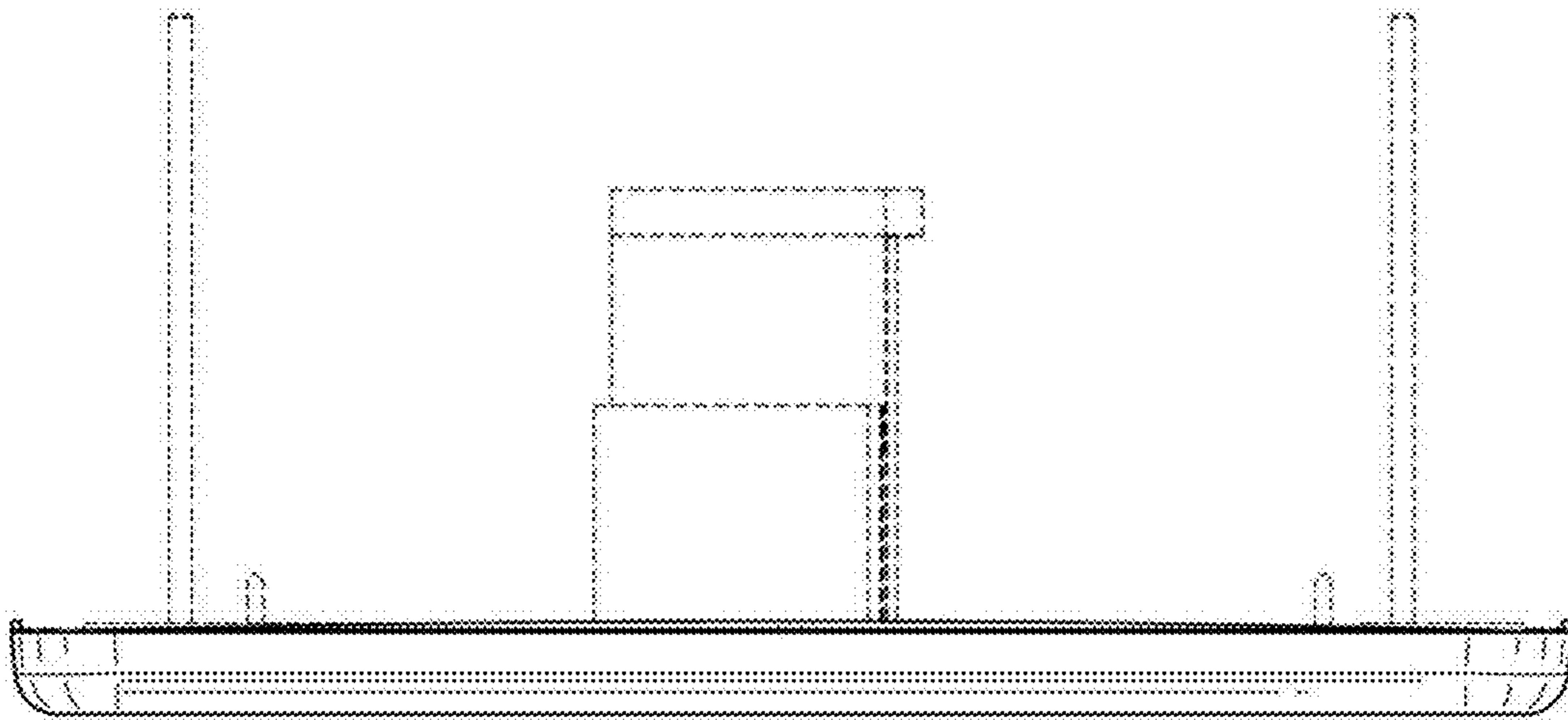


FIG. 12



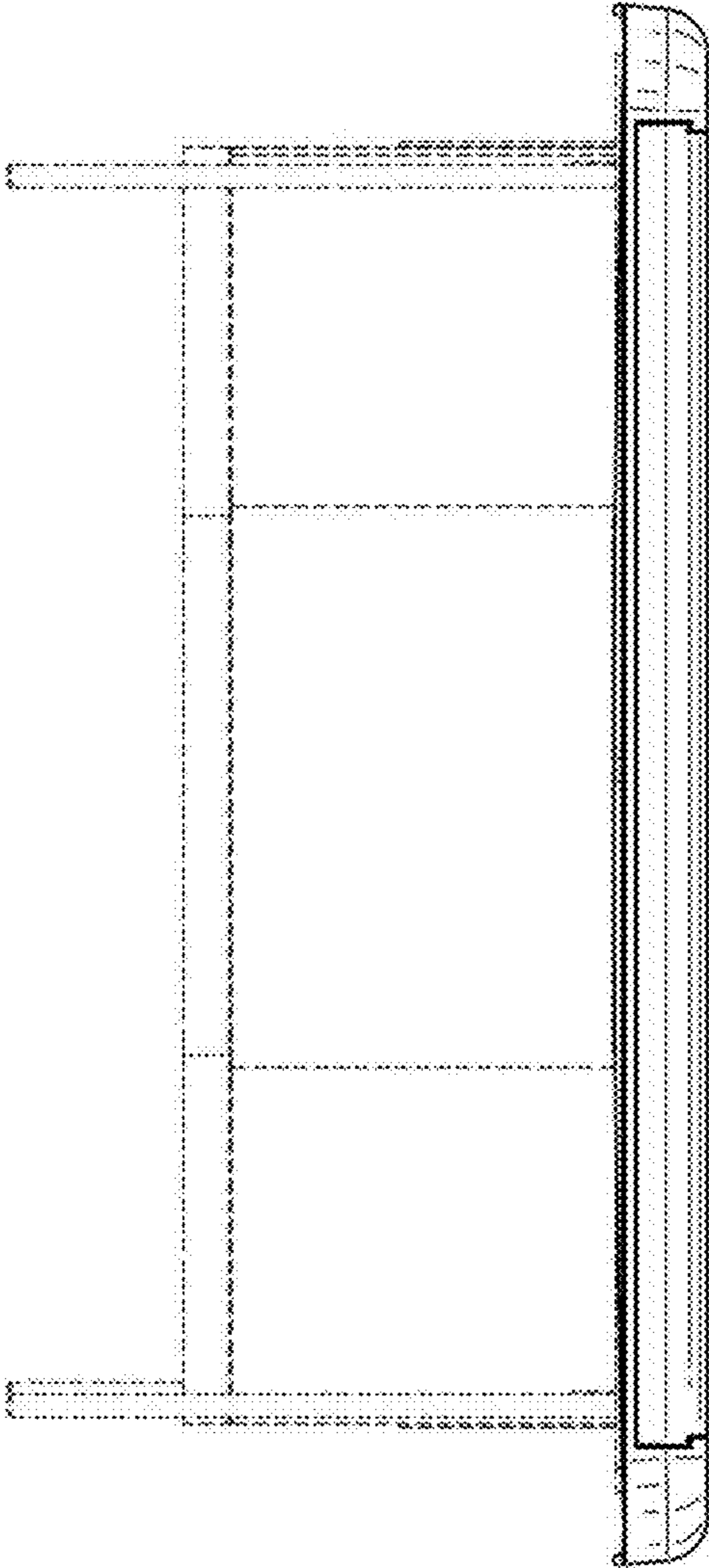


FIG. 13

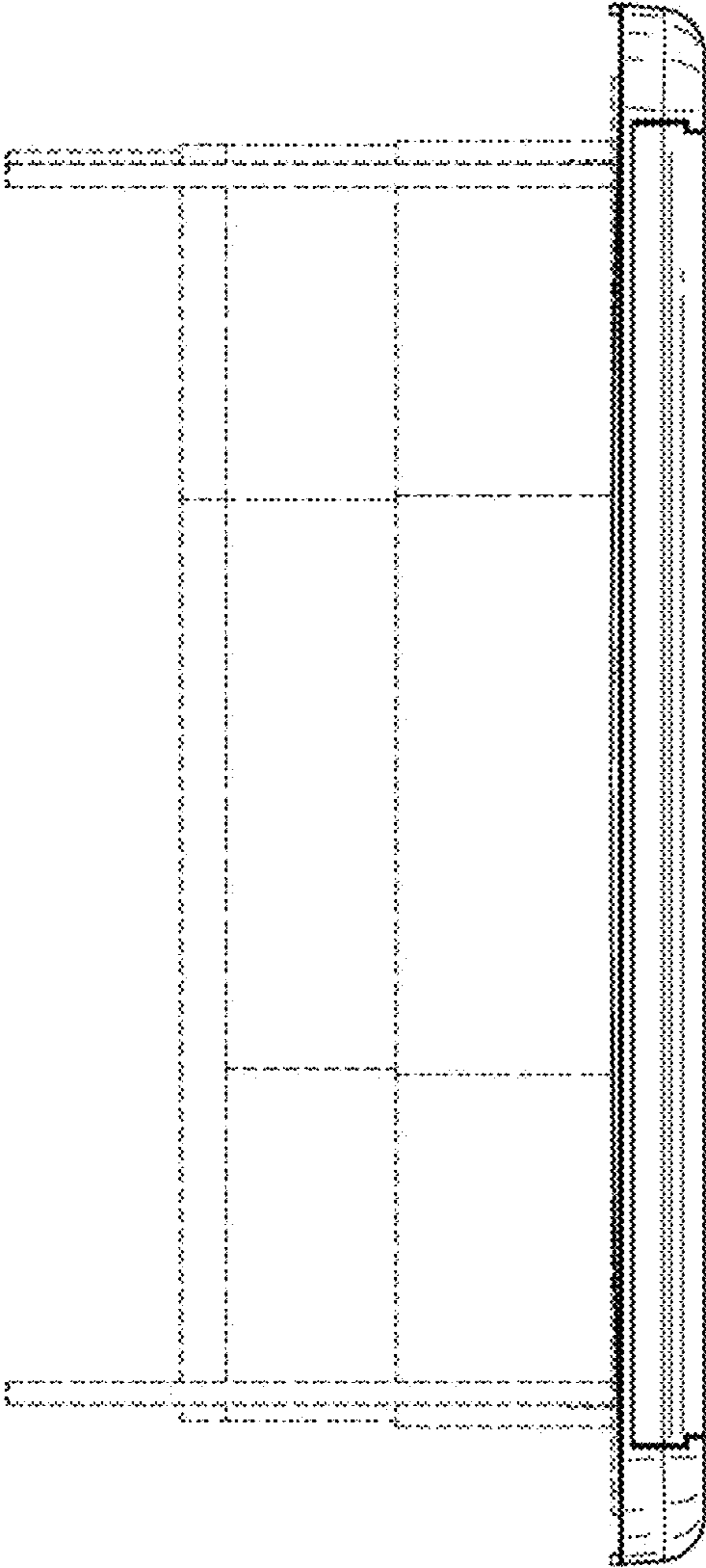


FIG. 14