



US00D884867S

(12) **United States Design Patent**
Gobber et al.

(10) **Patent No.:** **US D884,867 S**
(45) **Date of Patent:** **** May 19, 2020**

(54) **AIR FRESHENER**

OTHER PUBLICATIONS

(71) Applicant: **ZOBELE HOLDING SPA**, Trento (IT)

AliExpress.com, Auto air freshener new triangle fragrant wood car diffuser, undated online product page, retrieved Aug. 2, 2019 from <URL:https://www.aliexpress.com/i/32947815028.html> (Year: 2019).*

(72) Inventors: **Cedric Gobber**, Barcelona (ES);
Joaquim Llorente Alonso, Barcelona (ES)

* cited by examiner

(73) Assignee: **ZOBELE HOLDING S.P.A.** (IT)

Primary Examiner — Sheryl Lane

(**) Term: **15 Years**

Assistant Examiner — Calvin E Vansant

(21) Appl. No.: **29/659,321**

(74) *Attorney, Agent, or Firm* — Ostrolenk Faber LLP

(22) Filed: **Aug. 8, 2018**

(30) **Foreign Application Priority Data**

(57) **CLAIM**

Feb. 8, 2018 (ES) 0527878

The ornamental design for an air freshener, as shown and described.

(51) **LOC (12) Cl.** **23-04**

(52) **U.S. Cl.**
USPC **D23/366**

(58) **Field of Classification Search**
USPC D23/208, 355–369; D14/209.1, 212–213; D8/1, 391
CPC A61L 9/02; A61L 9/03; A61L 9/12; A61L 9/035; A61L 9/125; A61L 2209/15; A61L 2209/16
See application file for complete search history.

DESCRIPTION

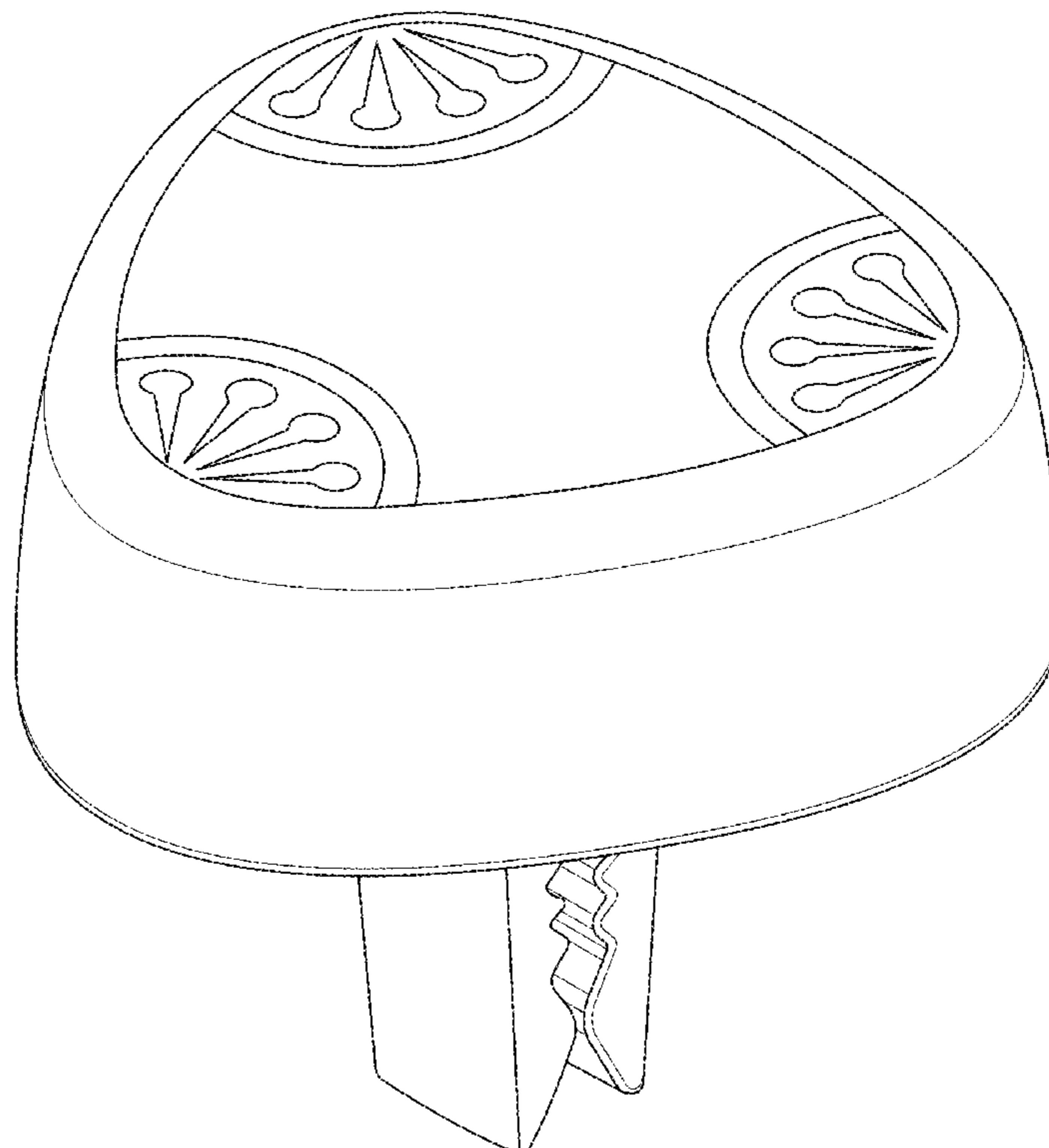
FIG. 1 is a perspective illustration of an air freshener, according to an aspect of our new design.
FIG. 2 is a top view illustration thereof.
FIG. 3 is a bottom view illustration thereof.
FIG. 4 is a left side view illustration thereof.
FIG. 5 is a right side view illustration thereof.
FIG. 6 is a front view illustration thereof; and,
FIG. 7 is a back view illustration thereof.

(56) **References Cited**

U.S. PATENT DOCUMENTS

D648,018 S * 11/2011 Sordo D23/366
D804,006 S * 11/2017 Gobber D23/366

1 Claim, 7 Drawing Sheets



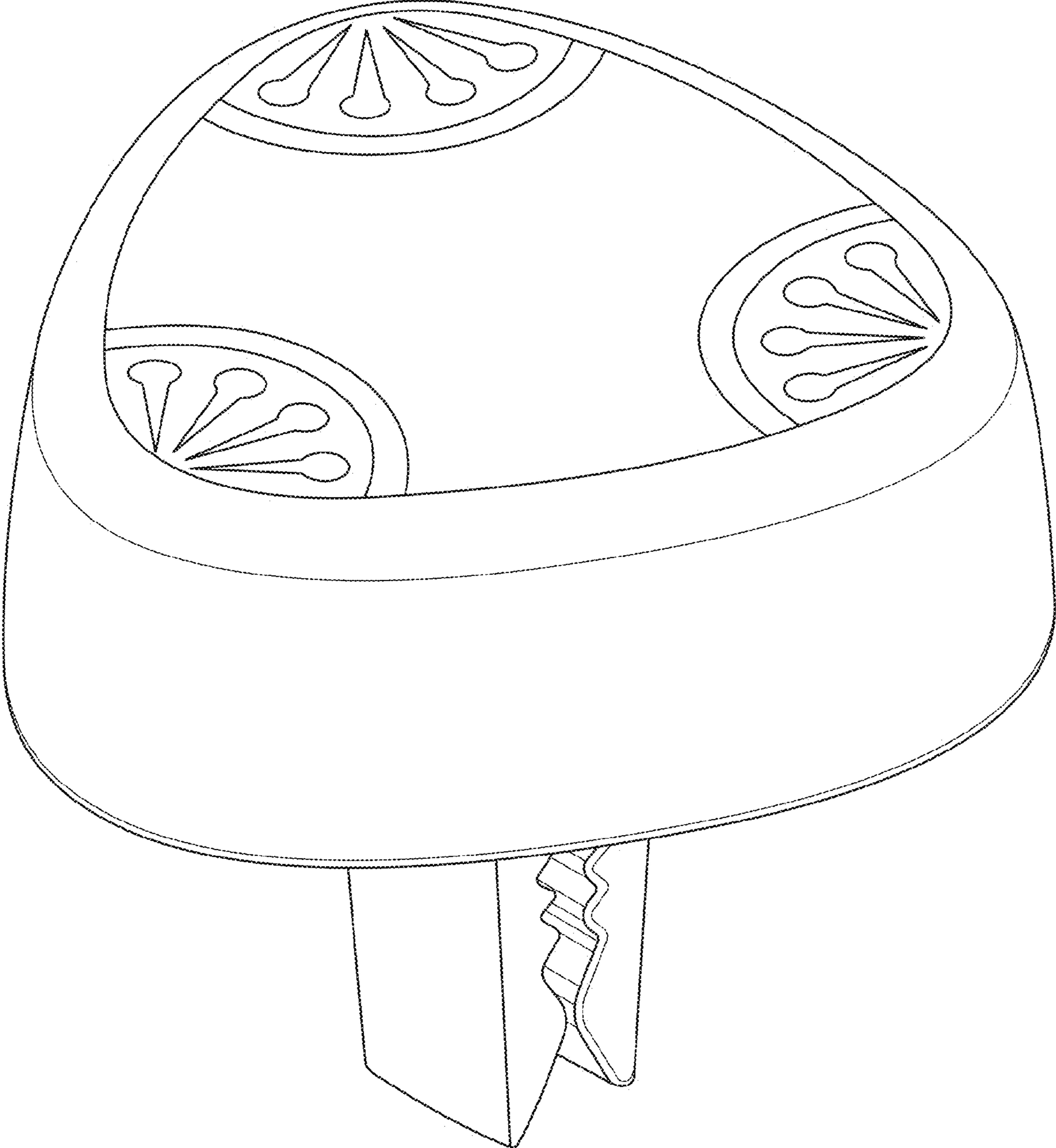


FIG. 1

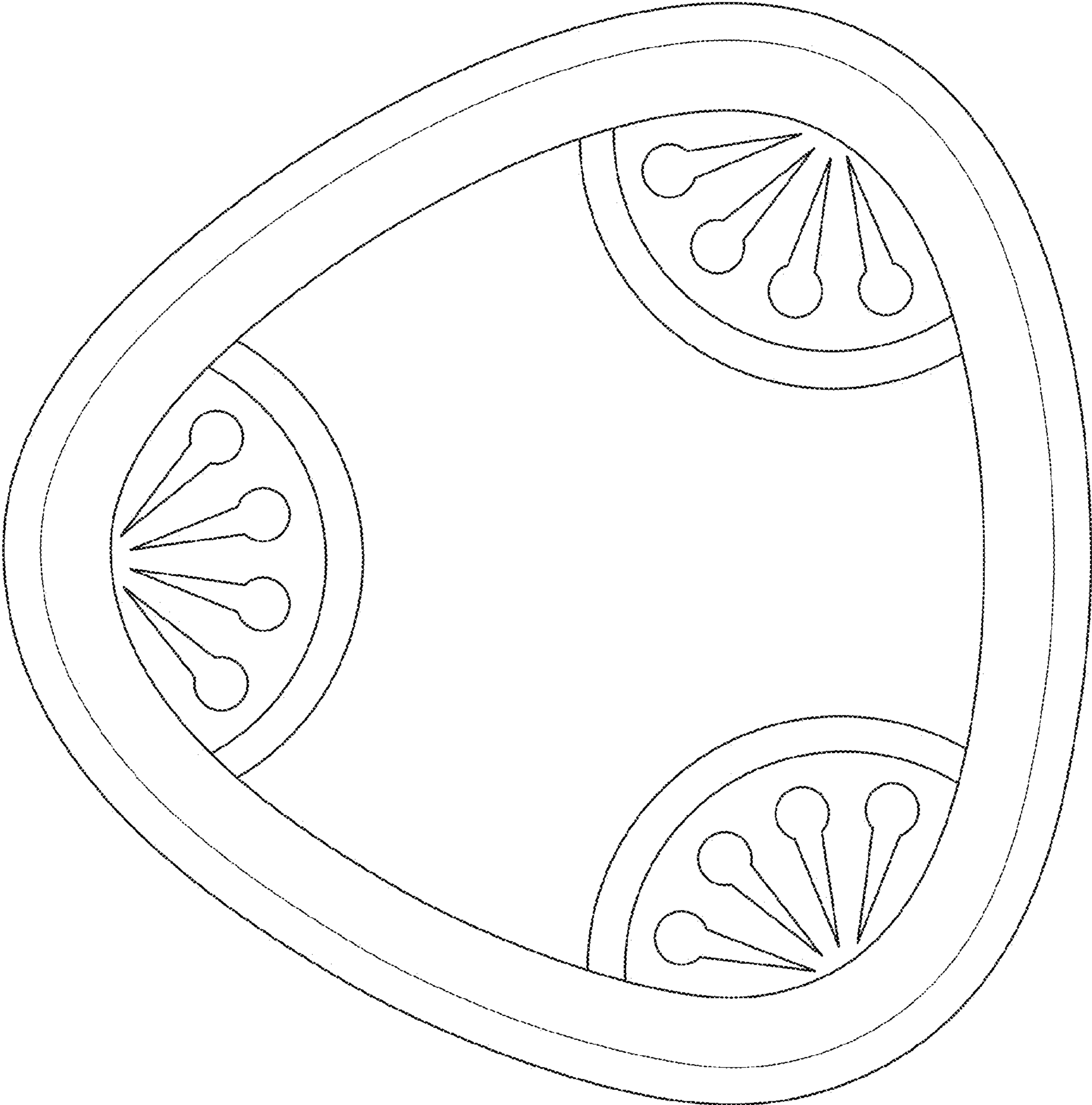


FIG. 2

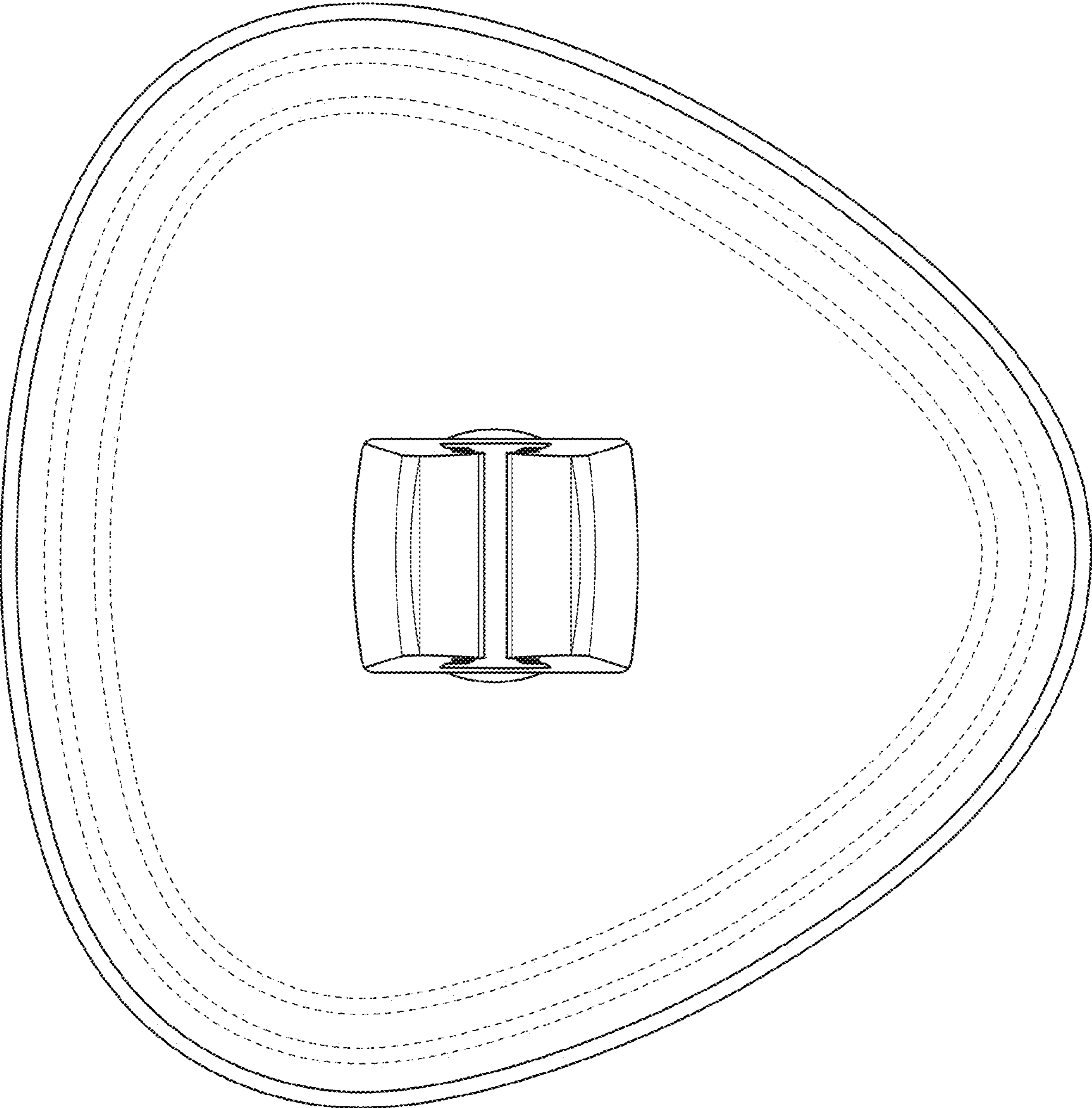


FIG. 3

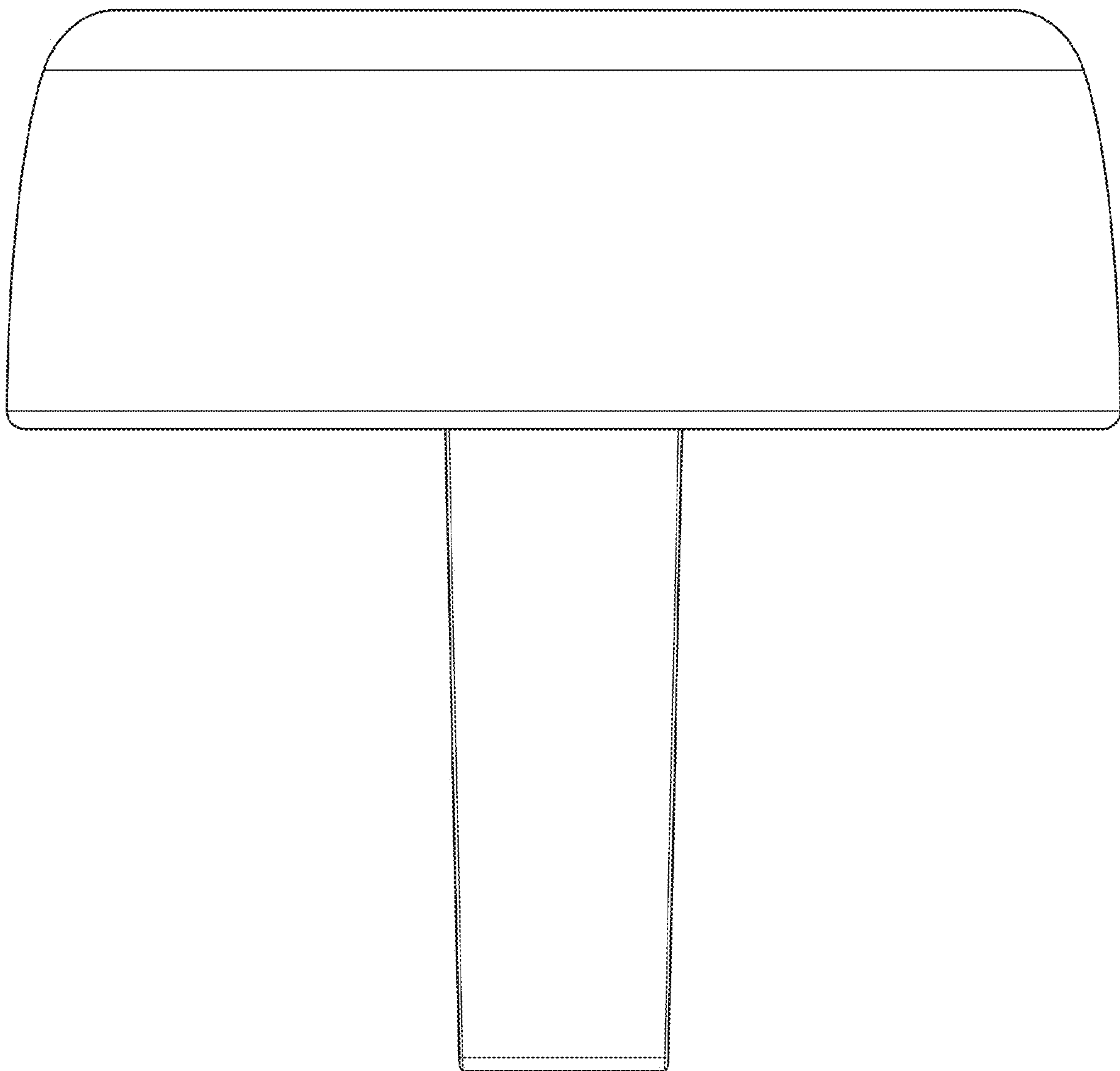


FIG. 4

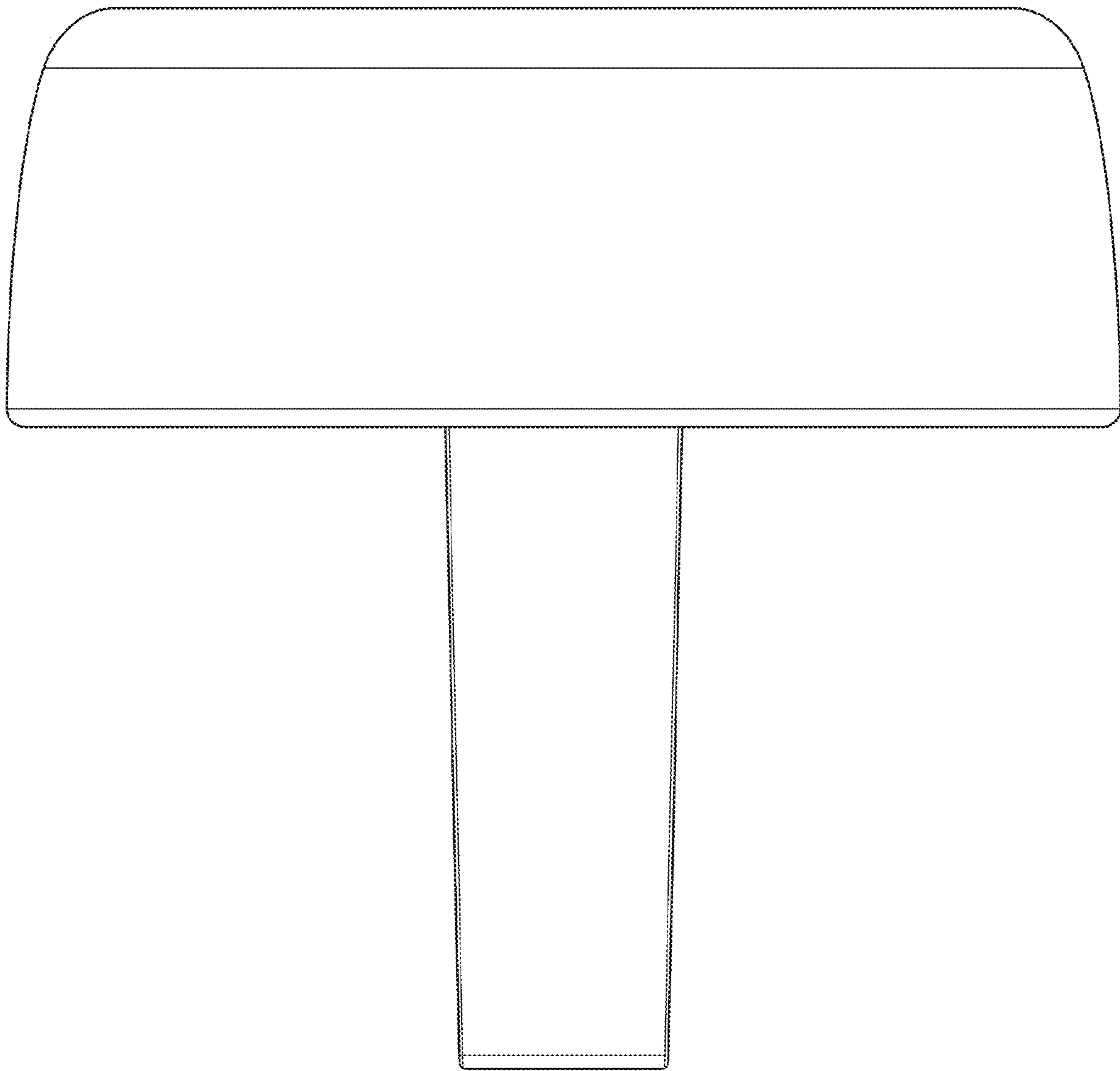


FIG. 5

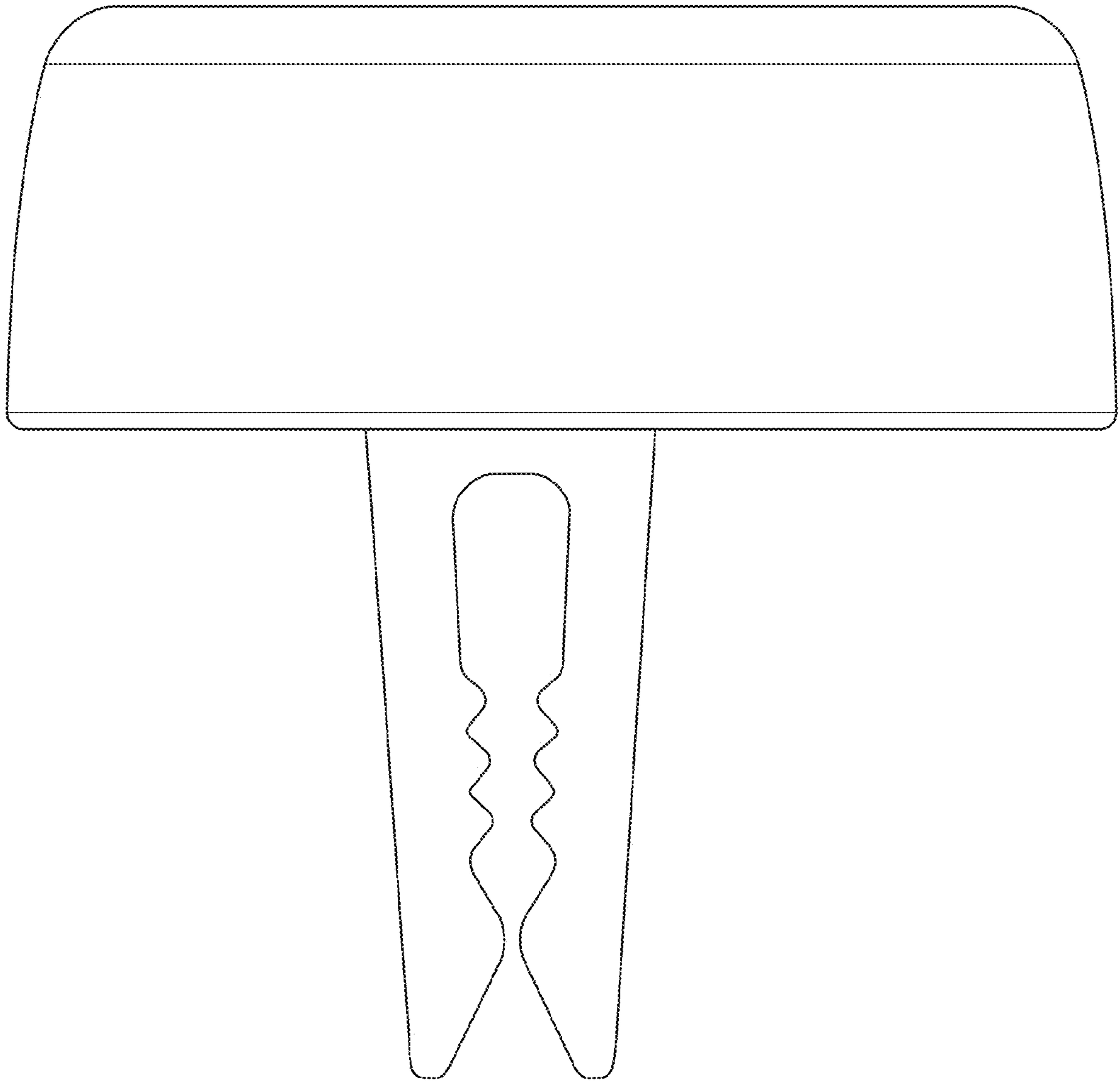


FIG. 6

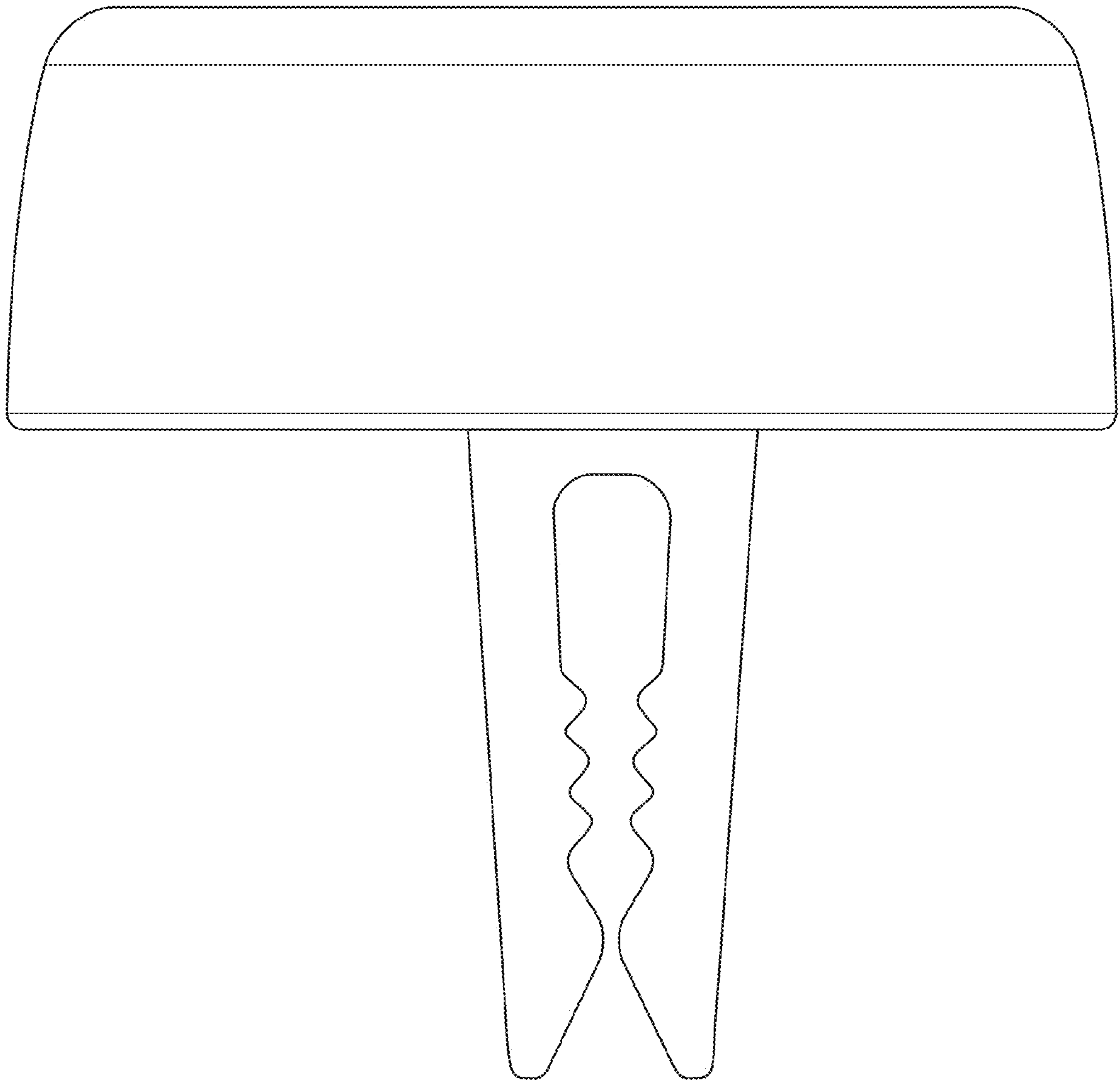


FIG. 7