



US00D884864S

(12) **United States Design Patent**
Sun

(10) **Patent No.:** **US D884,864 S**

(45) **Date of Patent:** **** May 19, 2020**

(54) **AIR PURIFIER**

(71) Applicant: **Zhuhai Large Horse Electrical Appliance Co., Ltd., Zhuhai (CN)**

(72) Inventor: **Yue Sun, Zhuhai (CN)**

(73) Assignee: **Zhuhai Large Horse Electrical Appliance Co., Ltd., Zhuhai (CN)**

(**) Term: **15 Years**

(21) Appl. No.: **29/698,926**

(22) Filed: **Jul. 22, 2019**

(51) **LOC (12) Cl.** **23-04**

(52) **U.S. Cl.**
USPC **D23/364**

(58) **Field of Classification Search**
USPC D23/355–366, 352, 369, 332, 333, 335,
D23/336, 342, 351; 422/120, 122;
55/356, 473, 504; 96/97; 261/DIG. 17,
261/DIG. 65, DIG. 88, DIG. 31
CPC .. A61L 9/16; A61L 9/22; B01D 47/00; B01D
47/027; B01D 2221/02; B01D 2259/4508;
B03C 3/155; B03C 3/368; F24F 3/16;
F24F 13/20; F24F 13/28; F24F
2001/0096

See application file for complete search history.

(56) **References Cited**

U.S. PATENT DOCUMENTS

D651,300 S * 12/2011 Xu D23/342
D652,132 S * 1/2012 Orihara D23/366

D733,860 S *	7/2015	Konno	D23/366
D760,883 S *	7/2016	Mann	D23/364
D827,115 S *	8/2018	Petersen	D23/333
D837,355 S *	1/2019	Gunnfur	D23/364
D838,824 S *	1/2019	Sun	D23/364
D847,313 S *	4/2019	Shen	D23/333
D852,344 S *	6/2019	Hua	D23/364
D853,544 S *	7/2019	Vu	D23/364
D861,146 S *	9/2019	Dingle	D23/359
D873,398 S *	1/2020	Seo	D23/364
D877,872 S *	3/2020	Sloan	D23/359

* cited by examiner

Primary Examiner — David G Muller

(74) *Attorney, Agent, or Firm* — ScienBiziP, P.C.

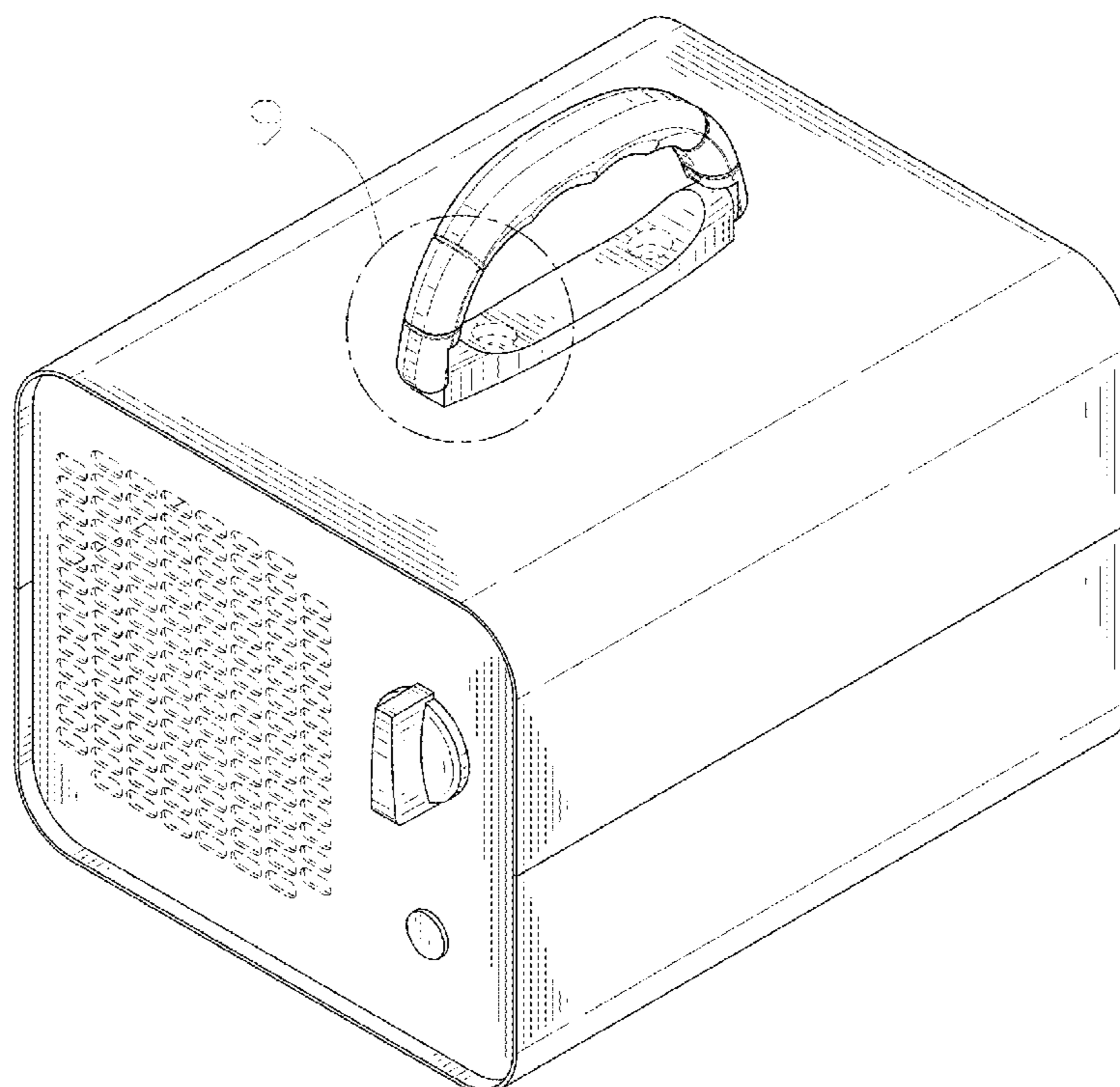
(57) **CLAIM**

The ornamental design for an air purifier, as shown and described.

DESCRIPTION

FIG. 1 is a first perspective view of an air purifier, showing my design.
FIG. 2 is a second perspective view thereof.
FIG. 3 is a front elevation view thereof.
FIG. 4 is a rear elevation view thereof.
FIG. 5 is a left side elevation view thereof.
FIG. 6 is a right side elevation view thereof.
FIG. 7 is a top plan view thereof.
FIG. 8 is a bottom plan view thereof; and,
FIG. 9 is an enlarged view of an area labeled 9 in FIG. 1 of the air purifier.
The details shown in broken lines form no part of the claimed design.

1 Claim, 9 Drawing Sheets



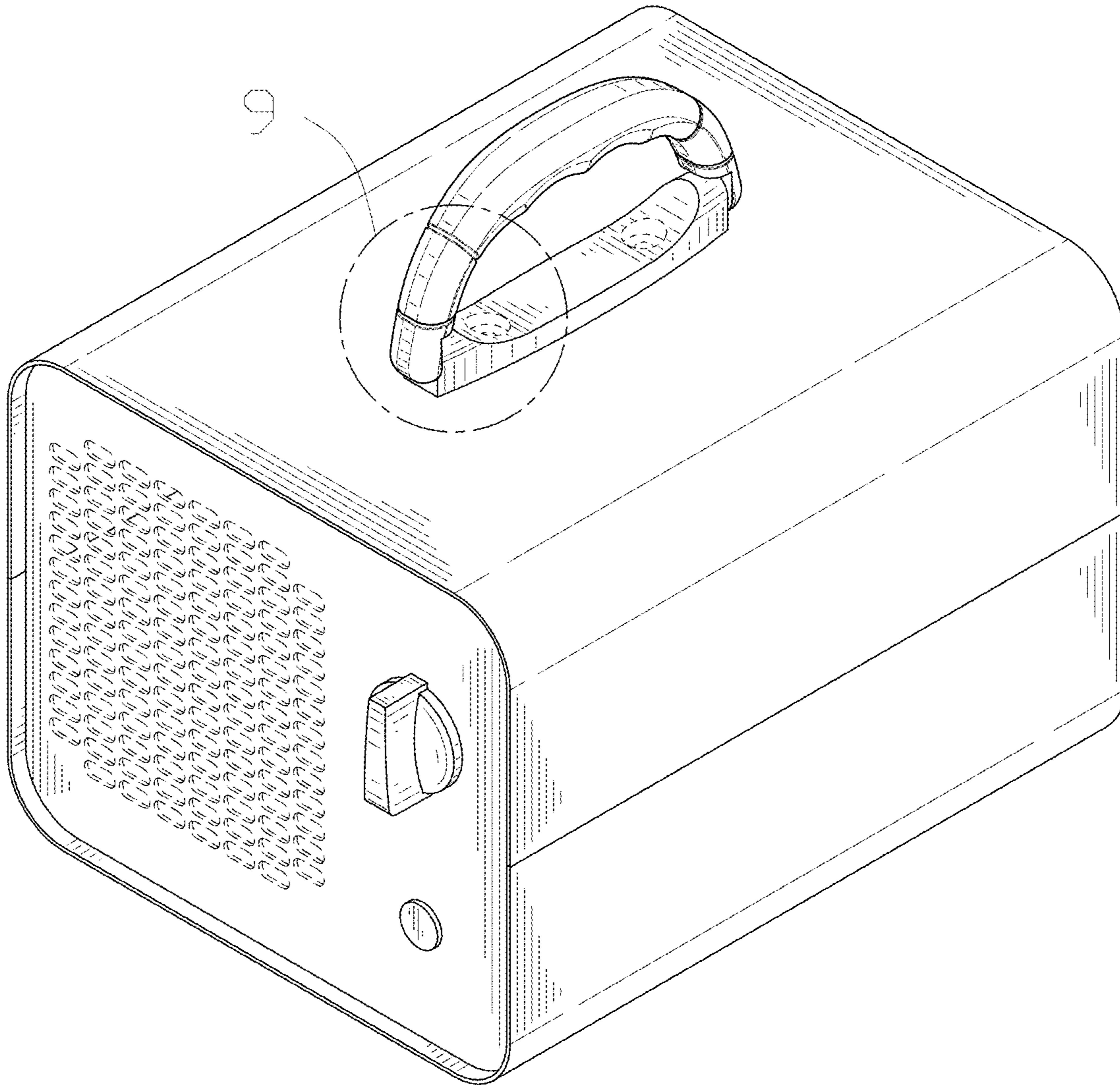


FIG. 1

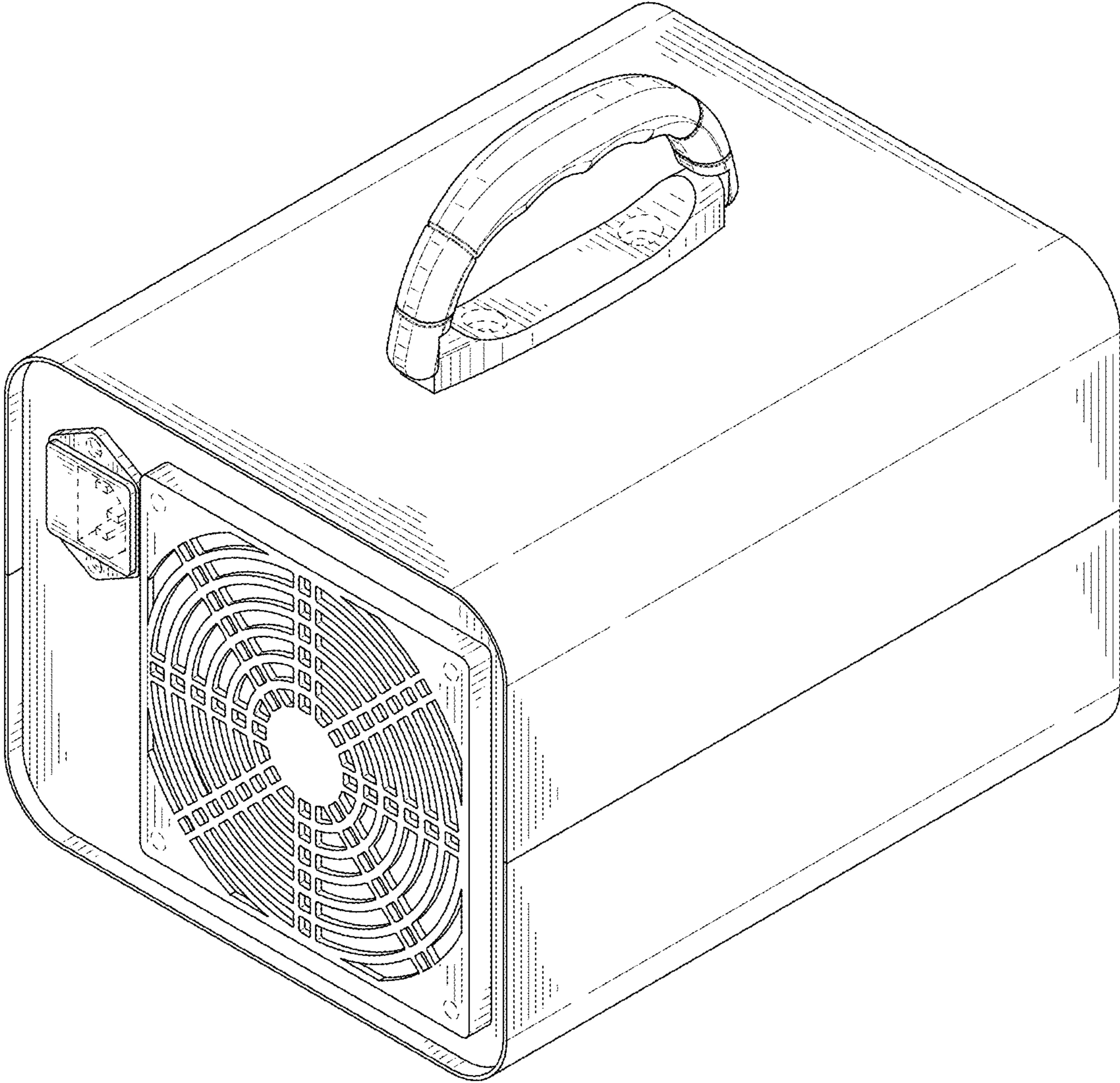


FIG. 2

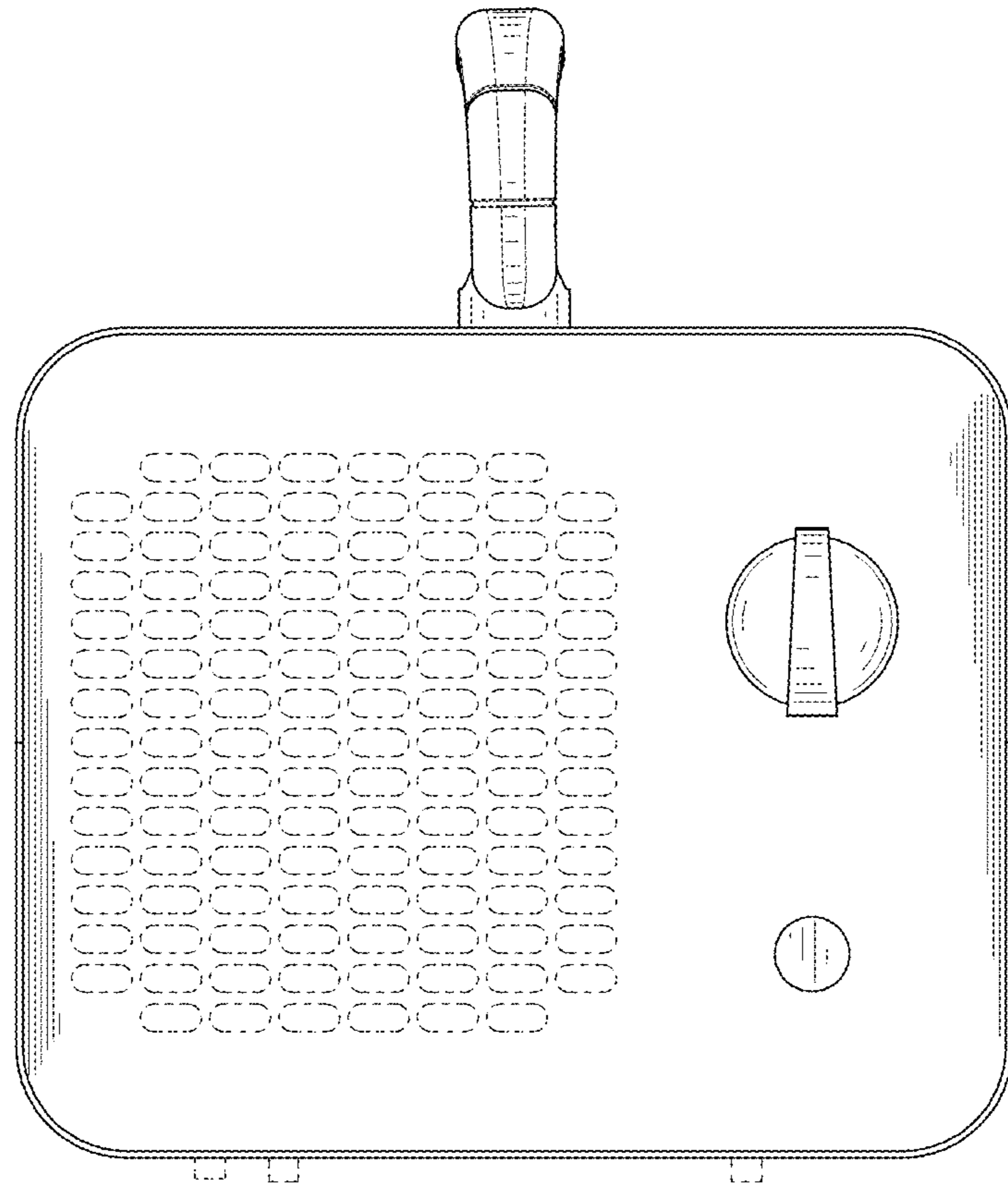


FIG. 3

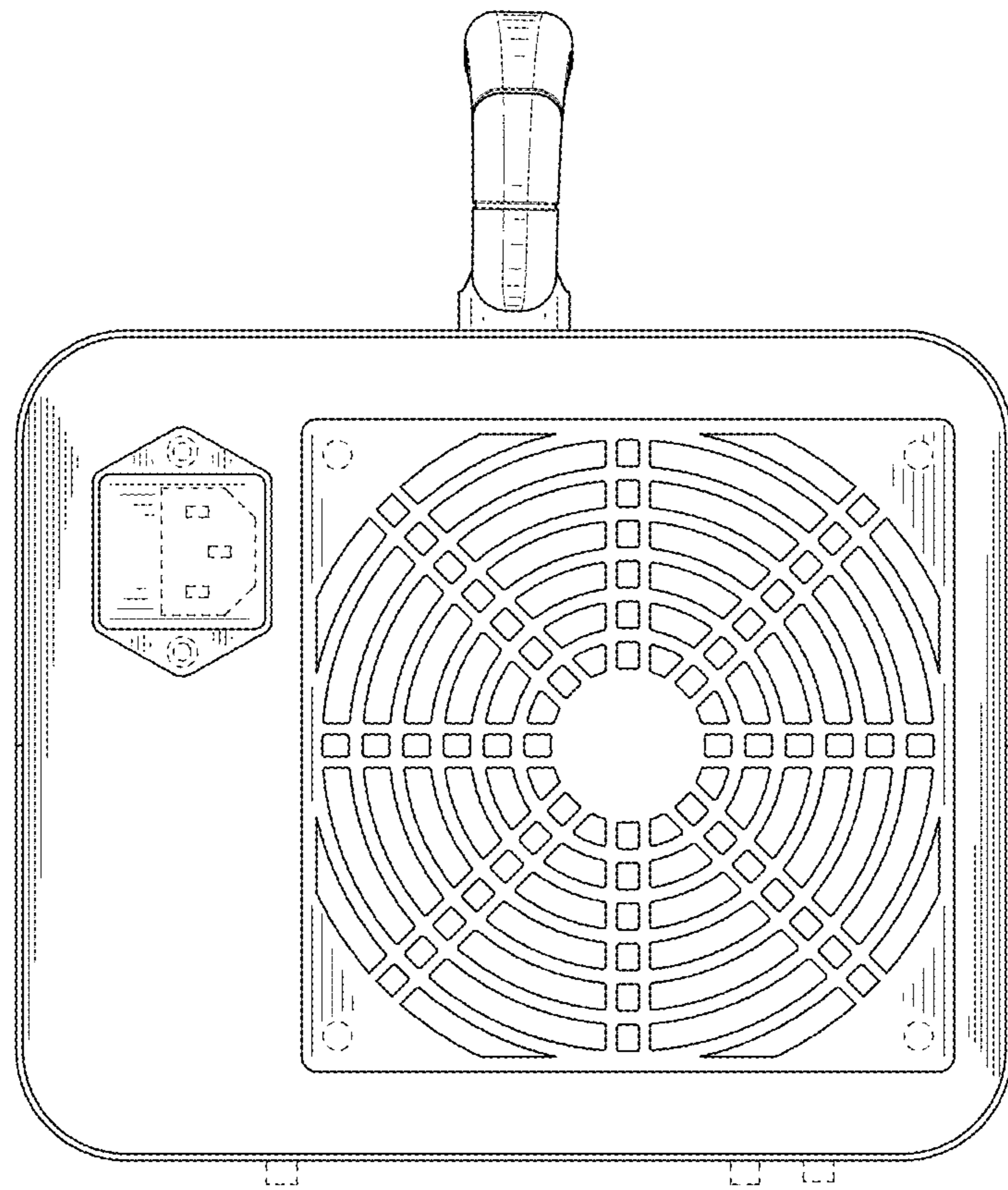


FIG. 4

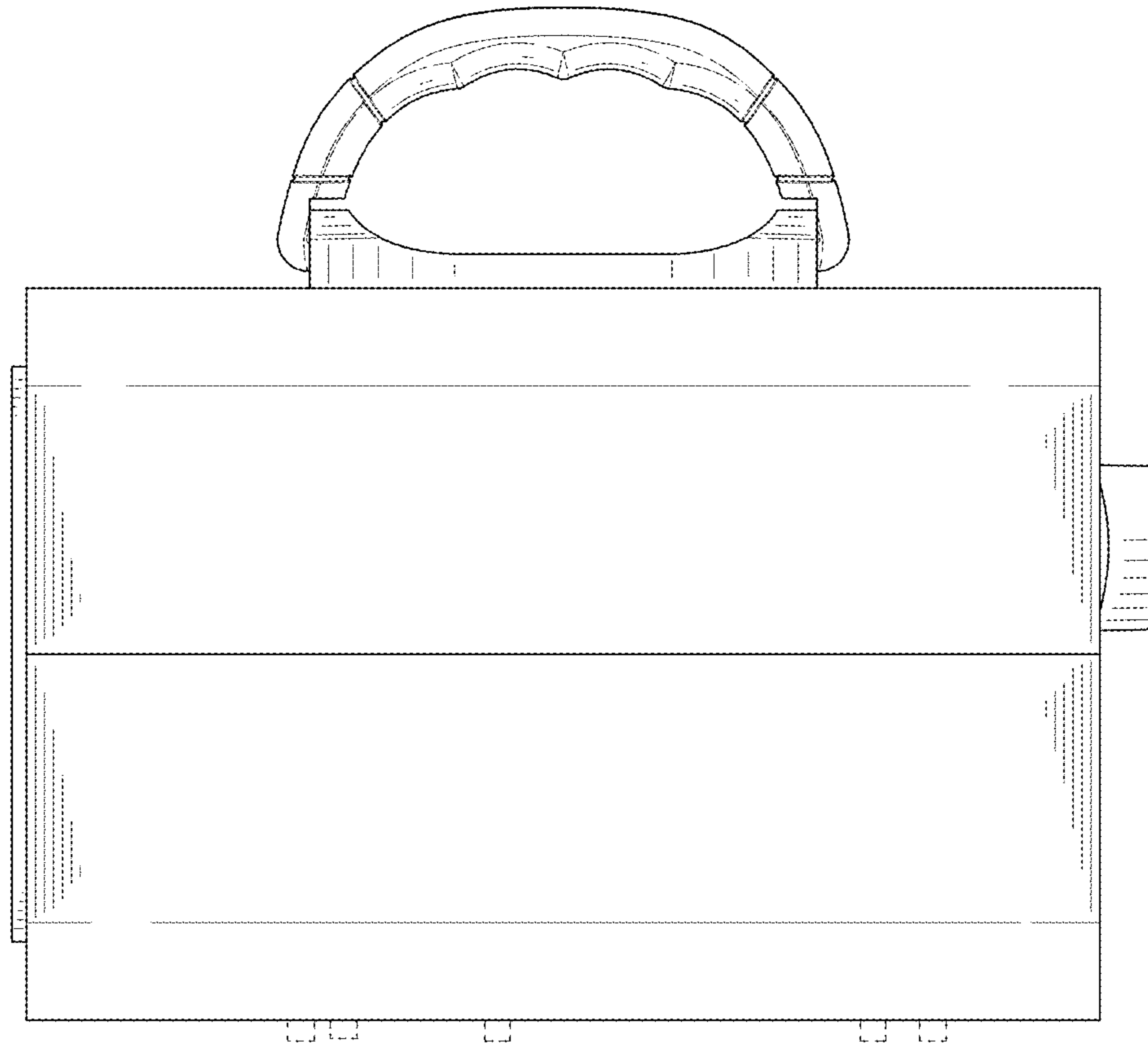


FIG. 5

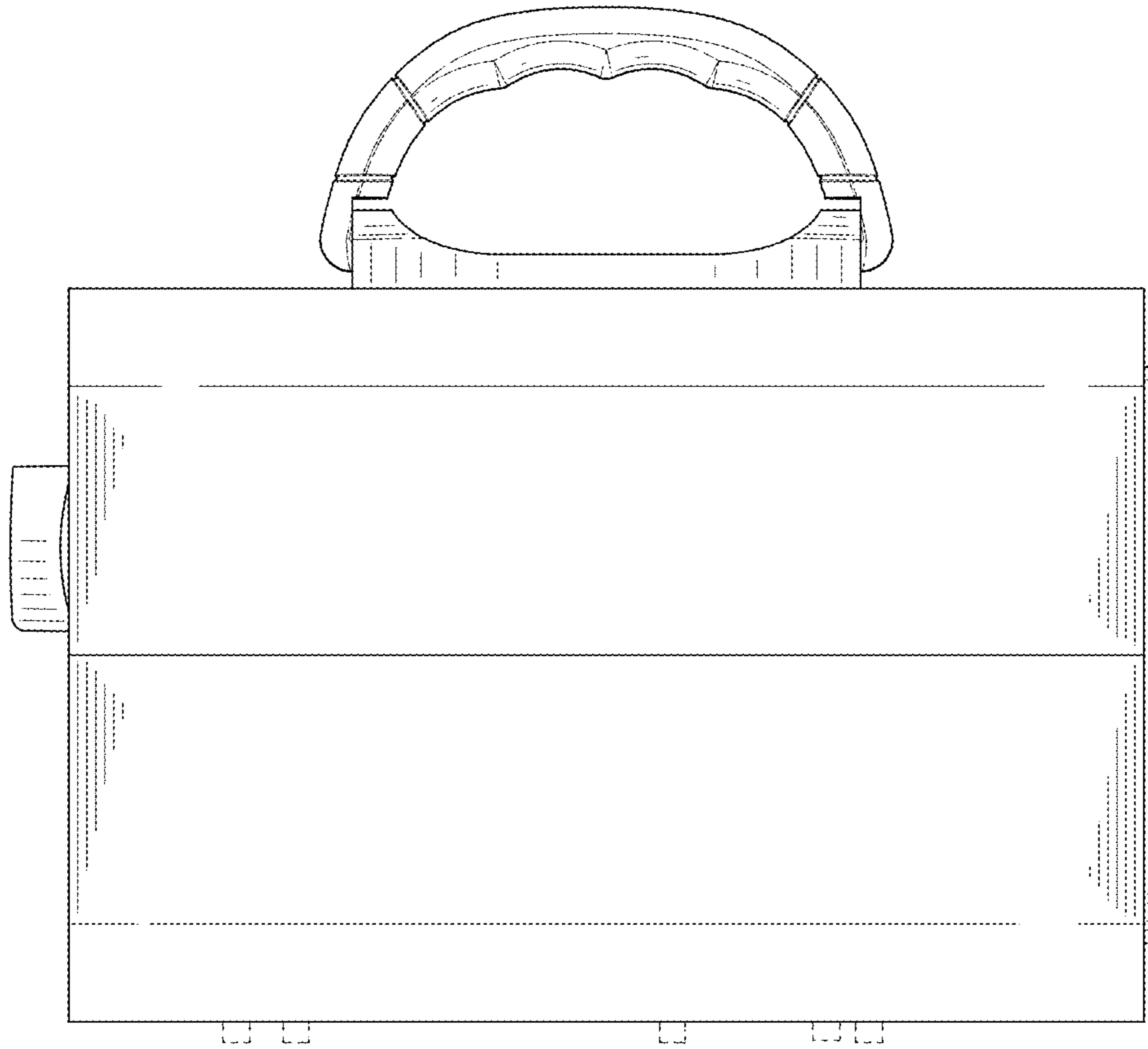


FIG. 6

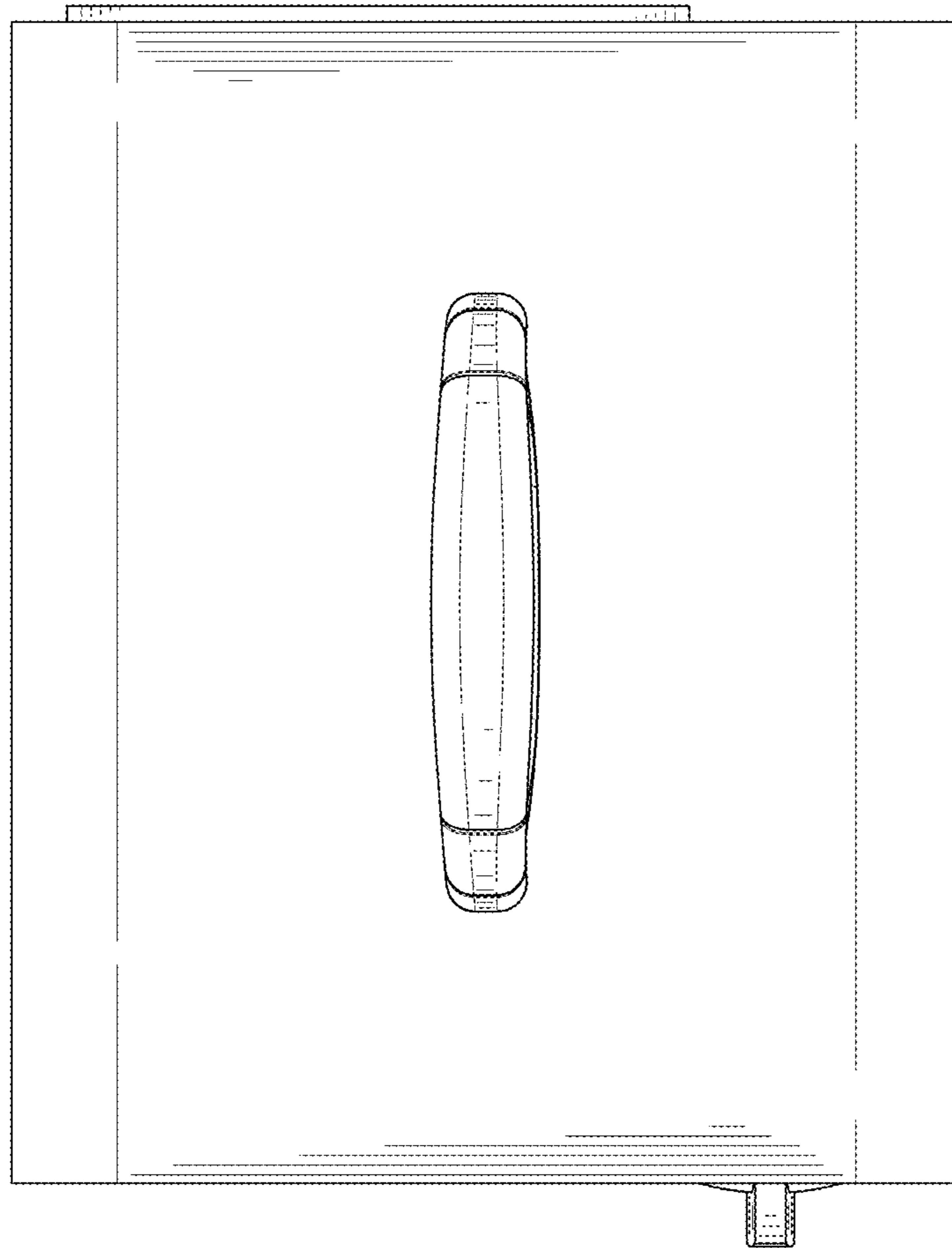


FIG. 7

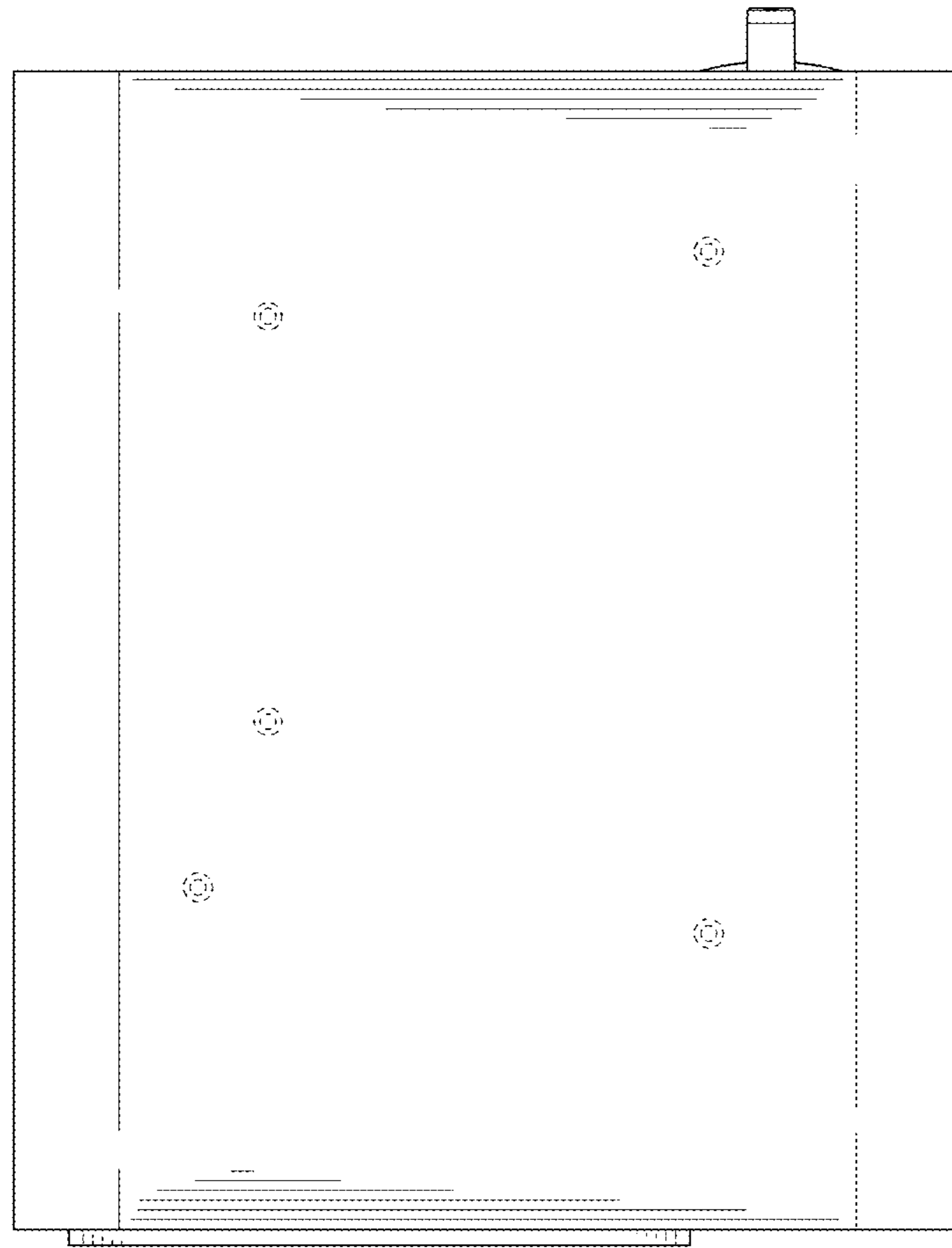


FIG. 8

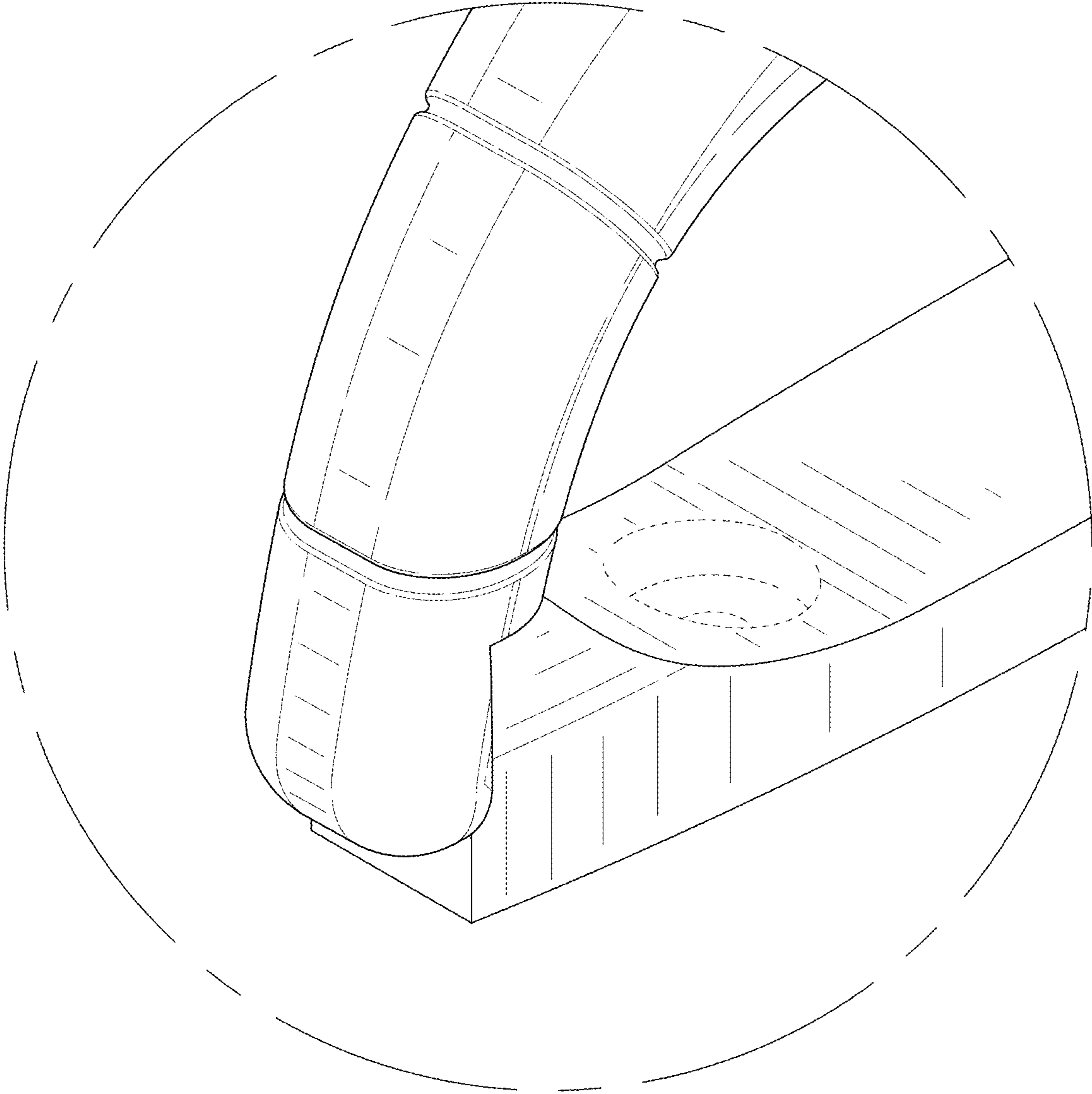


FIG. 9