



US00D884861S

(12) **United States Design Patent**
Seymour et al.

(10) **Patent No.:** **US D884,861 S**

(45) **Date of Patent:** **** May 19, 2020**

- (54) **DEHUMIDIFIER**
- (71) Applicant: **Ademco Inc.**, Golden Valley, MN (US)
- (72) Inventors: **Lauren M. Seymour**, Golden Valley, MN (US); **Jeff Peters**, Medina, MN (US); **Charles N. Hoff**, Excelsior, MN (US)
- (73) Assignee: **Ademco Inc.**, Golden Valley, MN (US)

- 2,952,606 A * 9/1960 Pascale C01B 13/11
422/186.1
- D195,464 S * 6/1963 Foster D13/101
- 3,290,021 A * 12/1966 Blachly F24F 6/16
239/216
- 3,323,784 A * 6/1967 Fazio F24F 3/12
126/113
- 3,575,009 A 4/1971 Kooney
(Continued)

- (**) Term: **15 Years**
- (21) Appl. No.: **29/677,352**
- (22) Filed: **Jan. 18, 2019**

Related U.S. Application Data

- (62) Division of application No. 29/606,641, filed on Jun. 6, 2017, now Pat. No. Des. 840,011.
- (51) **LOC (12) Cl.** **23-04**
- (52) **U.S. Cl.**
USPC **D23/359**
- (58) **Field of Classification Search**
USPC D23/355-366, 352, 369, 332, 333, 335,
D23/336, 342, 351; 261/DIG. 17,
261/DIG. 65, DIG. 88, DIG. 31; 422/120,
422/122; 55/356, 473, 504; 96/97;
D14/188, 170, 172; D18/34.6
CPC .. A61L 9/16; A61L 9/22; B01D 47/00; B01D
47/027; B01D 2221/02; B01D 2259/4508;
B03C 3/155; B03C 3/368; F24F 3/16;
F24F 13/20; F24F 13/28; F24F
2001/0096
See application file for complete search history.

(56) **References Cited**

U.S. PATENT DOCUMENTS

- 1,625,663 A * 4/1927 Kelly F24F 6/105
261/102
- D176,565 S * 1/1956 Schoonover D23/333

OTHER PUBLICATIONS

“Aprilaire Dehumidifier,” accessed from <https://www.google.com/search?q=whole+house+dehumidifier&source=Google+Search> dated on or about Jun. 6, 2017, 19 pages.

(Continued)

Primary Examiner — Nathan M Johnston

(74) *Attorney, Agent, or Firm* — Shumaker & Sieffert, P.A.

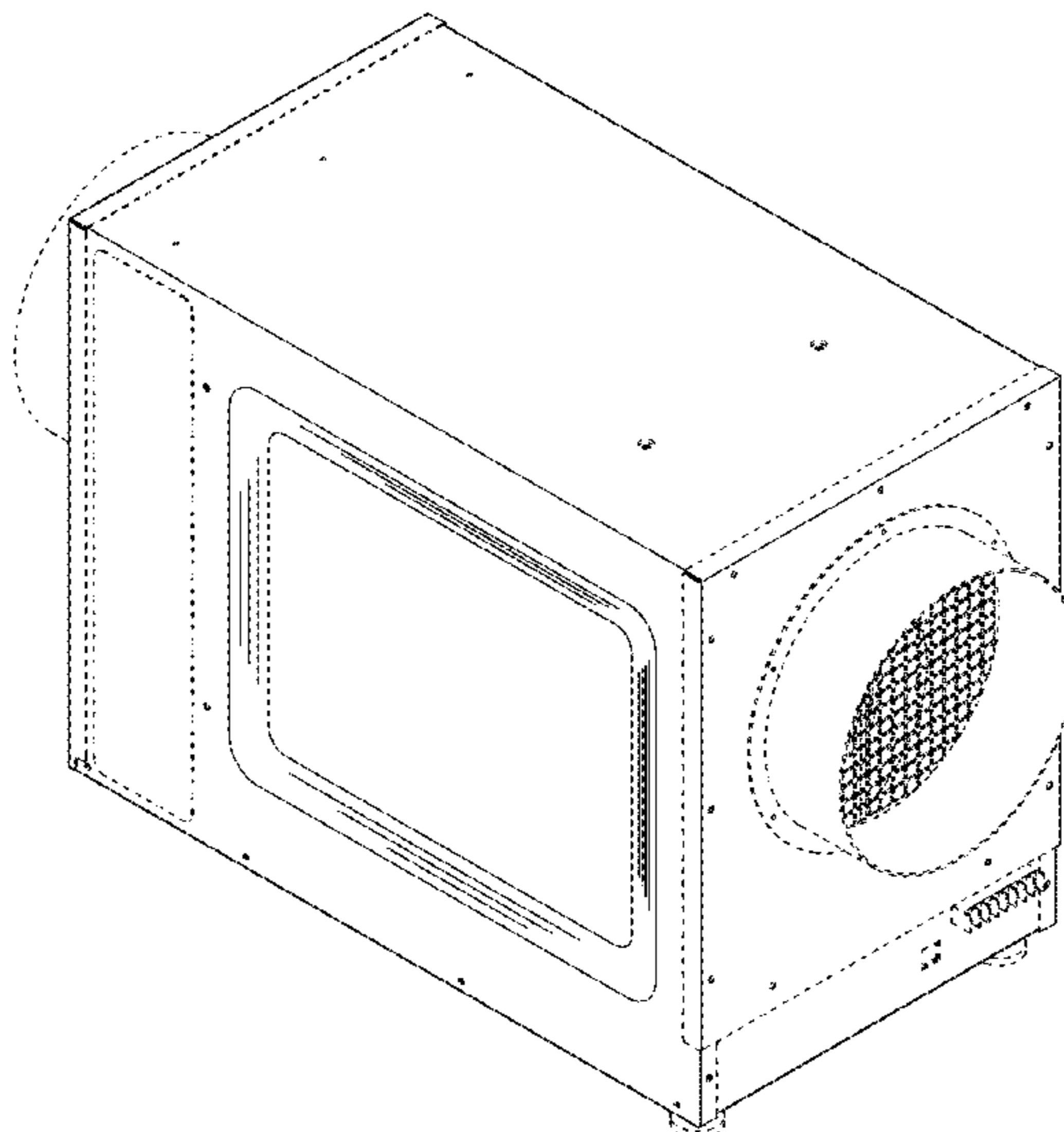
(57) **CLAIM**

The ornamental design for a dehumidifier, as shown and described.

DESCRIPTION

FIG. 1 is a perspective view of a dehumidifier showing our new design;
 FIG. 2 is a front elevation view of the dehumidifier of FIG. 1;
 FIG. 3 is a back elevation view of the dehumidifier of FIG. 1;
 FIG. 4 is a top plan view of the dehumidifier of FIG. 1;
 FIG. 5 is a bottom plan view of the dehumidifier of FIG. 1;
 FIG. 6 is a right side view of the dehumidifier of FIG. 1; and,
 FIG. 7 is a left side view of the dehumidifier of FIG. 1.
 The broken lines in the drawings are for the purpose of illustrating portions of the dehumidifier that form no part of the claimed design. Surfaces forming part of the claimed design are defined by shaded surfaces.

1 Claim, 7 Drawing Sheets



(56)

References Cited

U.S. PATENT DOCUMENTS

3,799,513 A 3/1974 Winton
 D242,210 S * 11/1976 Parise D32/21
 4,098,853 A * 7/1978 Brown A61M 16/1075
 128/200.13
 D253,845 S 1/1980 Morrow
 D253,846 S * 1/1980 Morrow D23/357
 4,497,361 A * 2/1985 Hajicek F24F 3/1423
 165/10
 4,676,619 A * 6/1987 Woolley G03B 17/48
 359/480
 4,750,922 A 6/1988 Griffis
 4,793,836 A * 12/1988 Griffis B01D 46/42
 55/385.2
 4,932,988 A 6/1990 Lutterbach et al.
 D311,270 S 10/1990 Savage et al.
 D314,425 S 2/1991 Beavers et al.
 D315,596 S 3/1991 Botheras et al.
 D316,142 S 4/1991 Lutterbach et al.
 D316,447 S 4/1991 Woodson et al.
 D326,543 S 5/1992 Zwicker
 D330,076 S 10/1992 Evans
 5,154,743 A 10/1992 Takato et al.
 5,443,624 A * 8/1995 Claesson B01D 53/261
 95/113
 5,669,230 A * 9/1997 Bruce F24F 1/027
 62/285
 6,149,873 A 11/2000 Potter et al.
 6,196,303 B1 * 3/2001 Hepper F24F 1/0007
 165/111
 6,355,091 B1 3/2002 Felber et al.
 D489,355 S * 5/2004 Yeh D14/168
 6,849,107 B1 2/2005 Huffman
 D515,553 S 2/2006 Tragatschnig
 D566,256 S * 4/2008 Abate D23/364
 7,387,652 B2 * 6/2008 Studer B01D 46/24
 55/338
 D572,354 S * 7/2008 Tsuchiya D23/355

7,485,165 B2 * 2/2009 Lee A62B 17/00
 181/212
 D603,495 S 11/2009 Sata et al.
 D603,948 S 11/2009 Ishihara
 7,806,948 B2 10/2010 Brock et al.
 D629,091 S 12/2010 Maezawa et al.
 D654,160 S 2/2012 Yomtov
 D696,760 S 12/2013 Wolf, II et al.
 D731,632 S 6/2015 Kulp et al.
 D777,891 S 1/2017 Kubota et al.
 D789,503 S * 6/2017 Alvise D23/359
 D813,365 S * 3/2018 Alvise D23/359
 D846,719 S * 4/2019 Niki D23/351
 D849,904 S * 5/2019 Pontillas D23/332
 2011/0165018 A1 7/2011 Lynn
 2011/0192182 A1 * 8/2011 Noda B01D 53/261
 62/160
 2013/0125574 A1 5/2013 Uselton et al.
 2017/0321640 A1 * 11/2017 Kimura F02M 35/0201

OTHER PUBLICATIONS

“Honeywell Dehumidifier,” accessed from <https://www.google.com/search?q=whole+house+dehumidifier&source...>, Google Search dated on or about Jun. 6, 2017, 16 pages.
 “Lennox Dehumidifier,” accessed from <https://www.google.com/search?q=whole+house+dehumidifier&source...>,—Google Search dated on or about Jun. 6, 2017, 28 pages.
 “Whole House Dehumidifier,” accessed from <https://www.google.com/search?q=whole+house+dehumidifier&source...>, Google Search dated Jun. 6, 2017, 22 pages.
 Response to Canadian Office Action dated Aug. 9, 2018, from counterpart Canadian application No. 178267, filed Nov. 8, 2018, 18 pages.
 Examination Report from counterpart Canadian Application No. 178267, dated Aug. 9, 2018, 1 pp.
 Prosecution History from U.S. Appl. No. 29/606,641, dated Aug. 28, 2017 through Jan. 9, 2019, 26 pp.

* cited by examiner

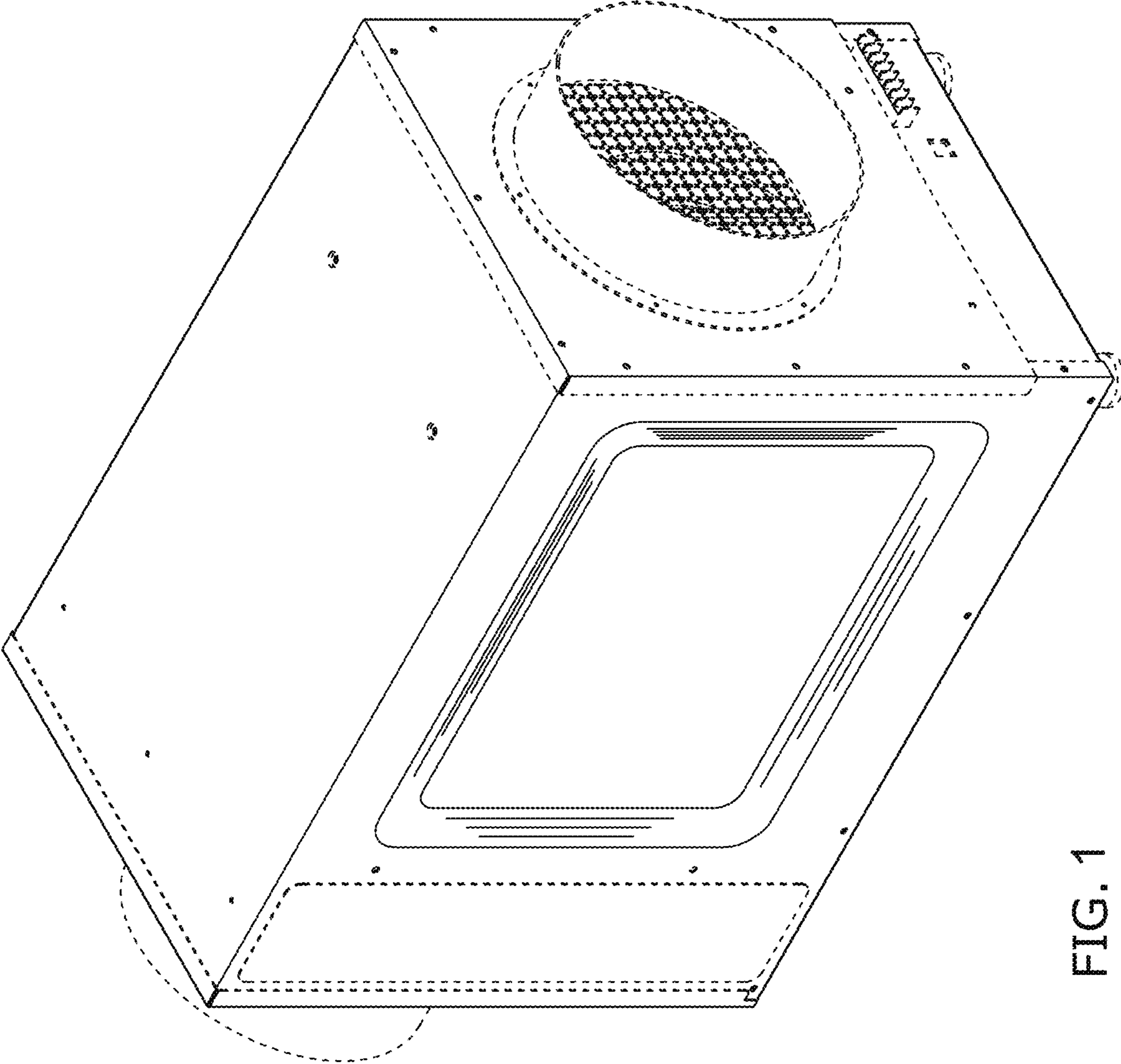


FIG. 1

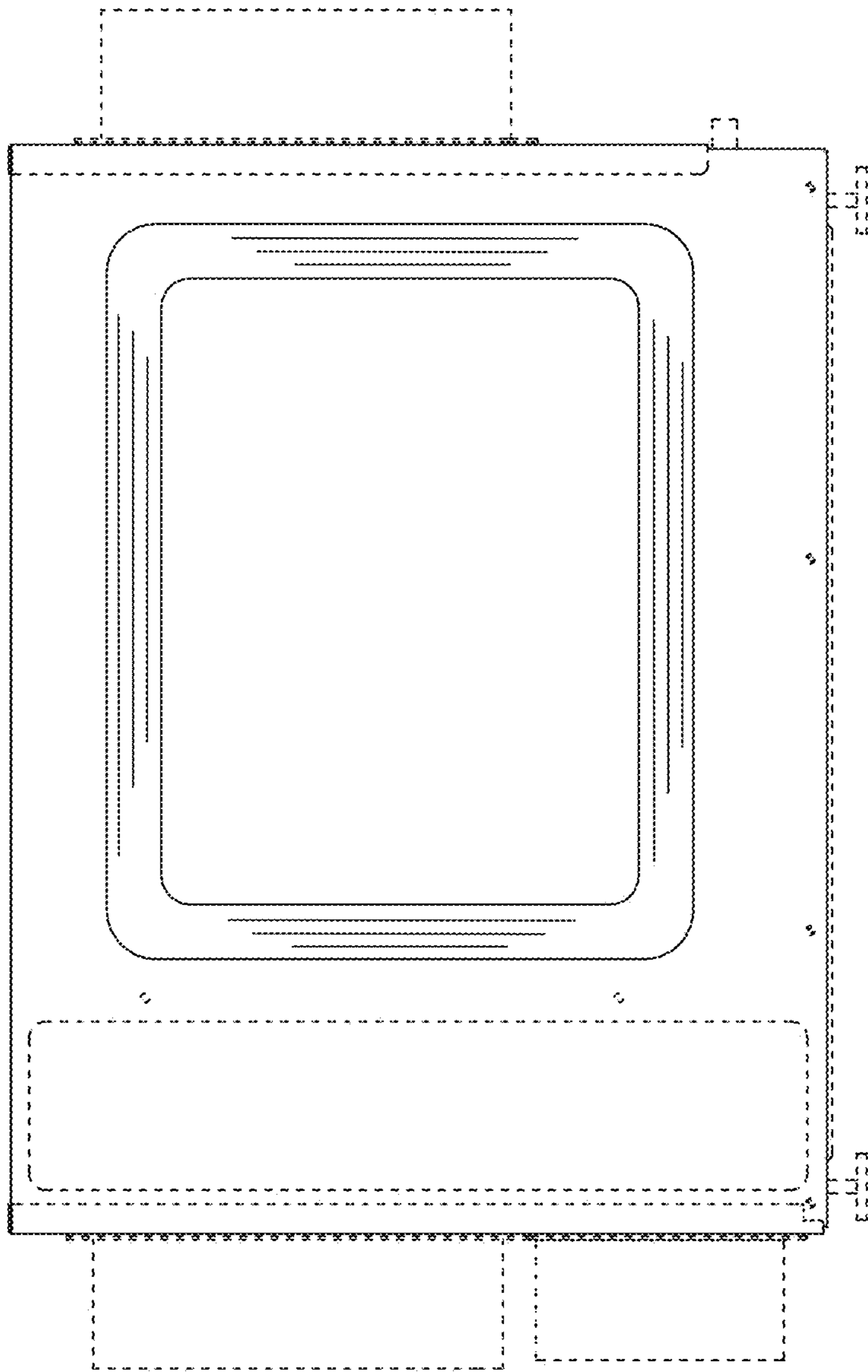


FIG. 2

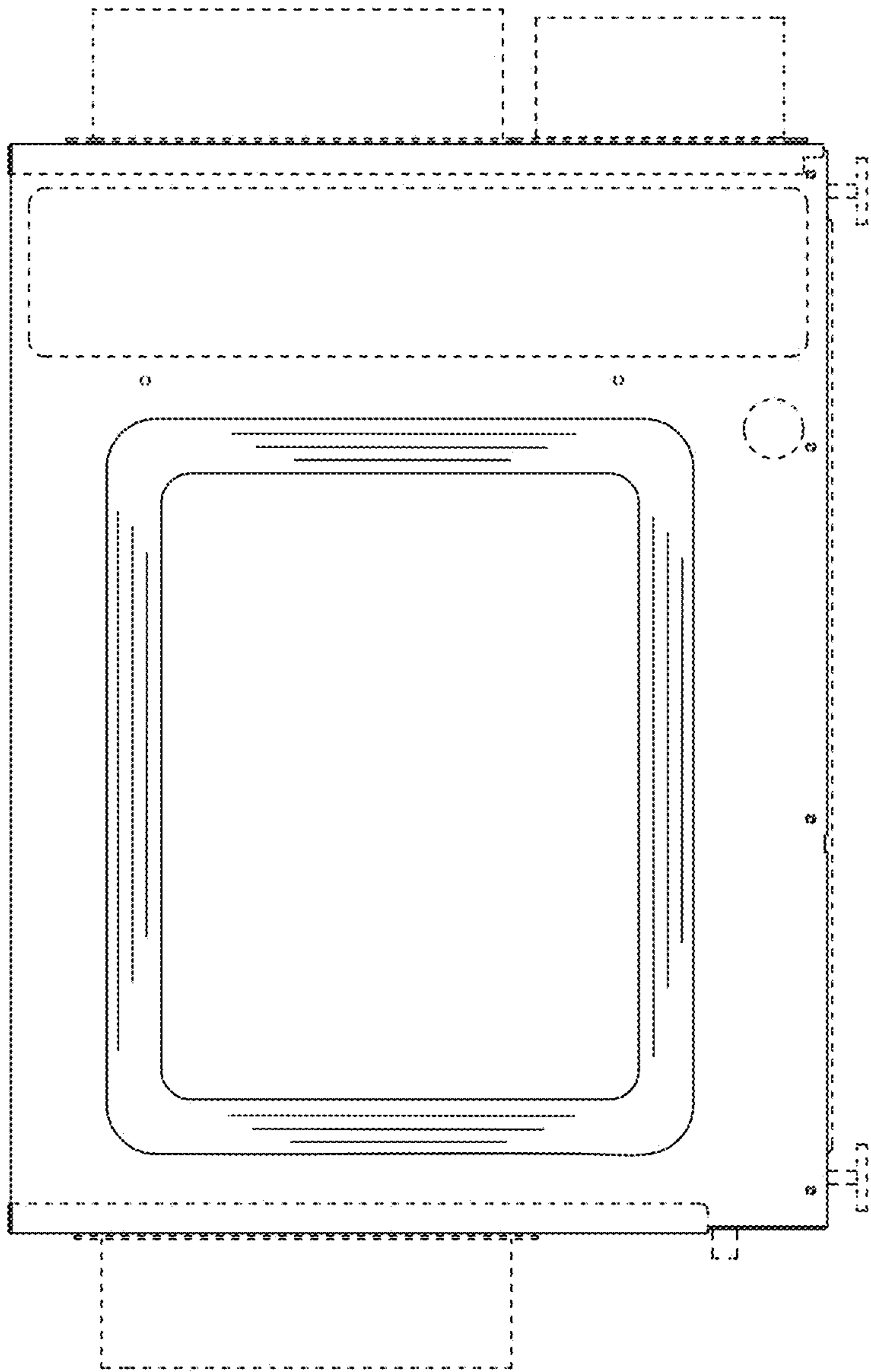


FIG. 3

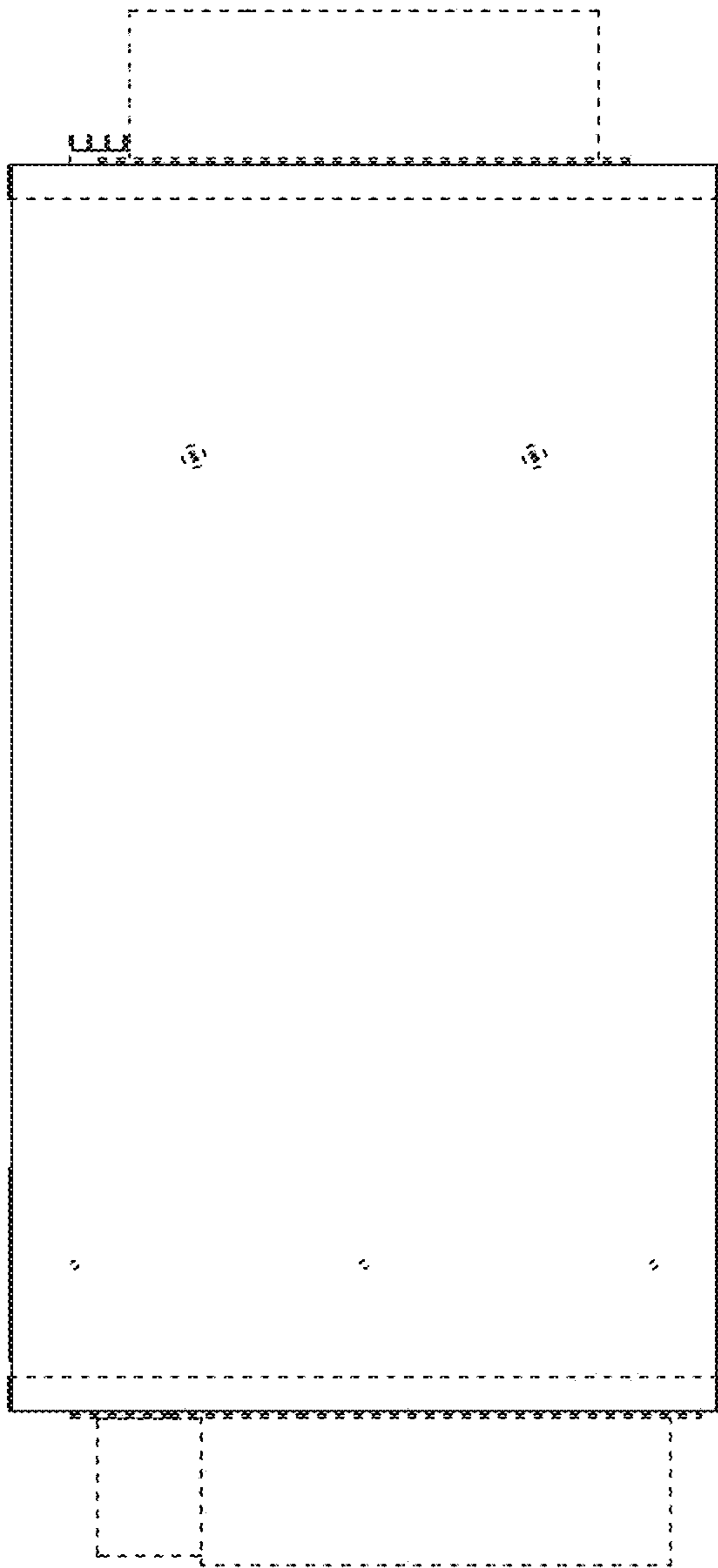


FIG. 4

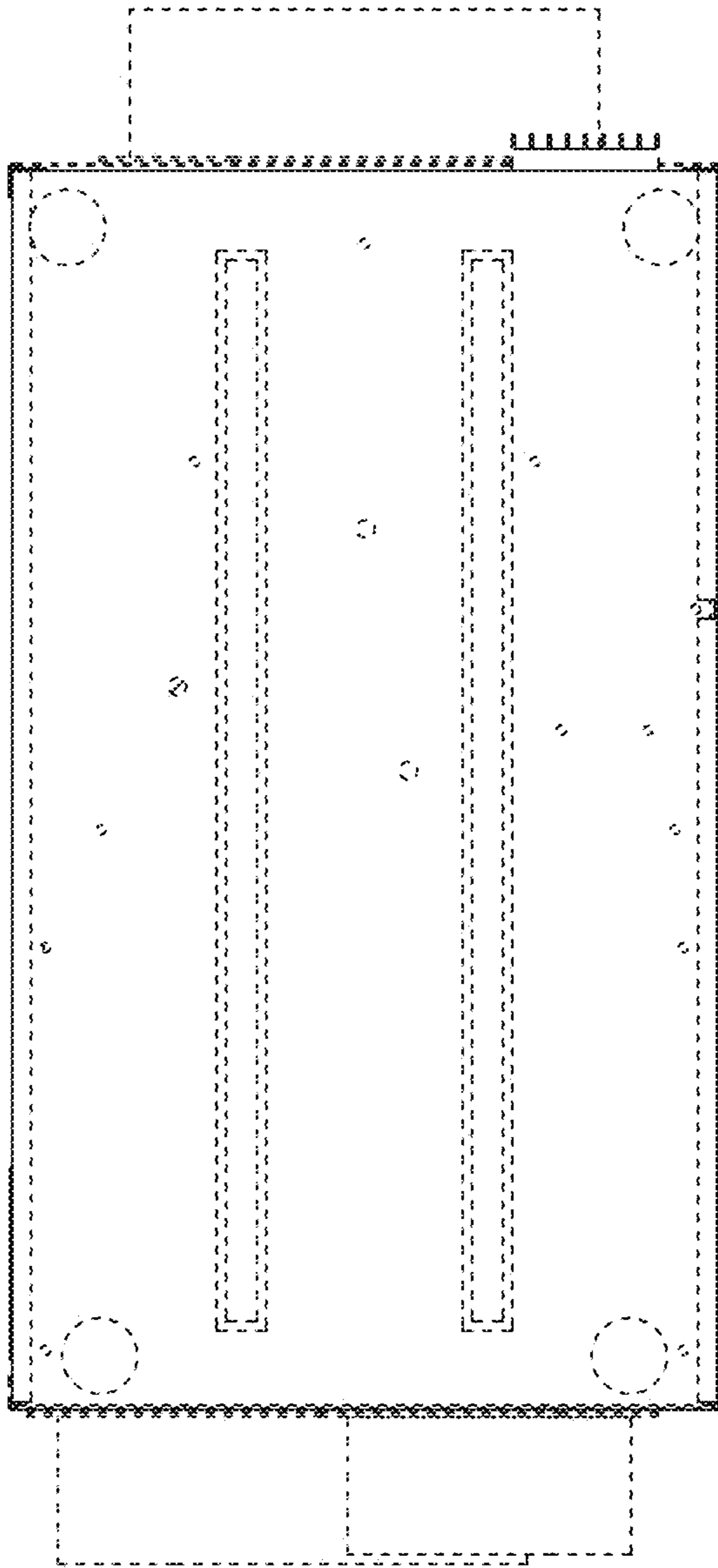


FIG. 5

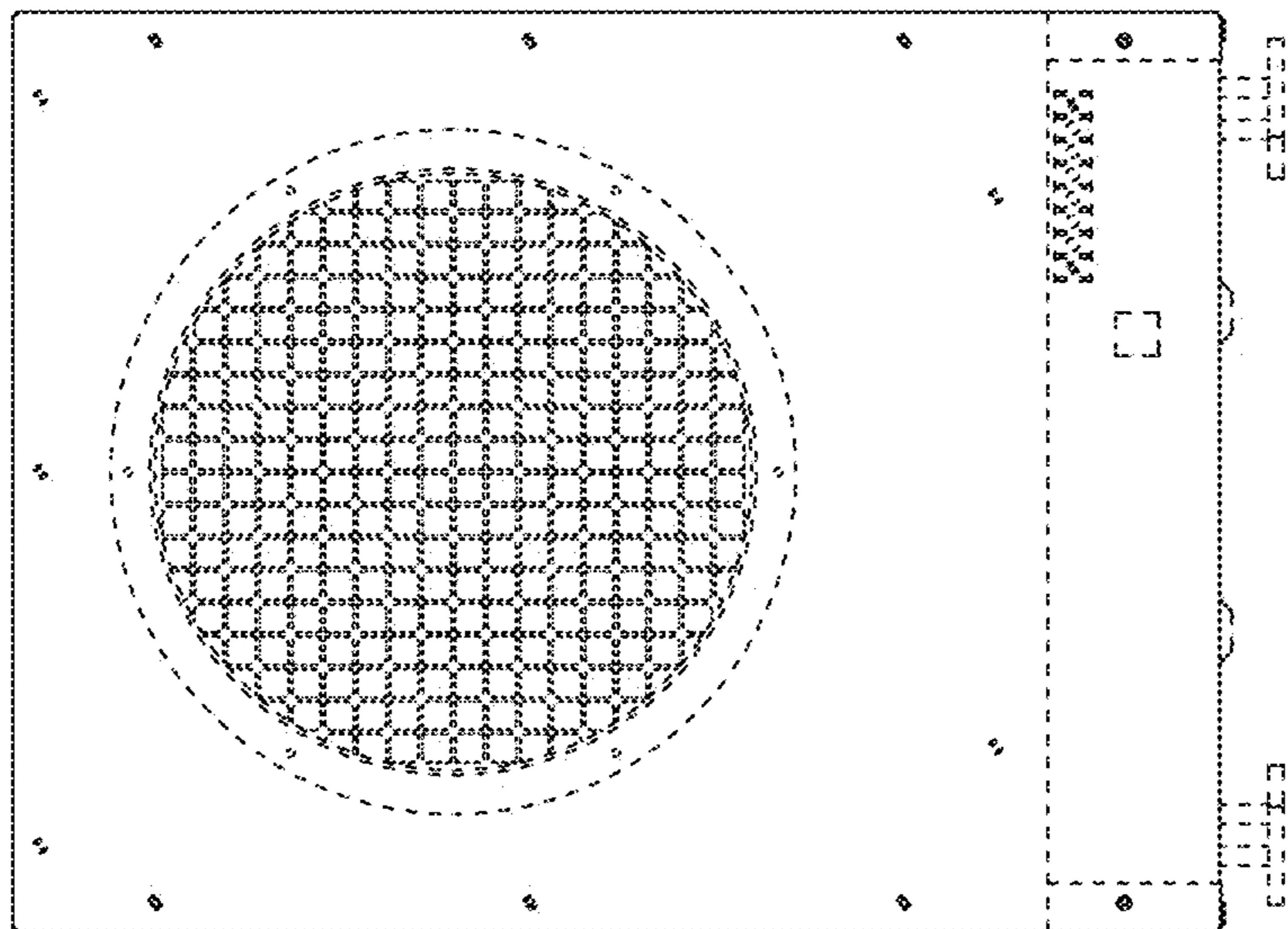


FIG. 6

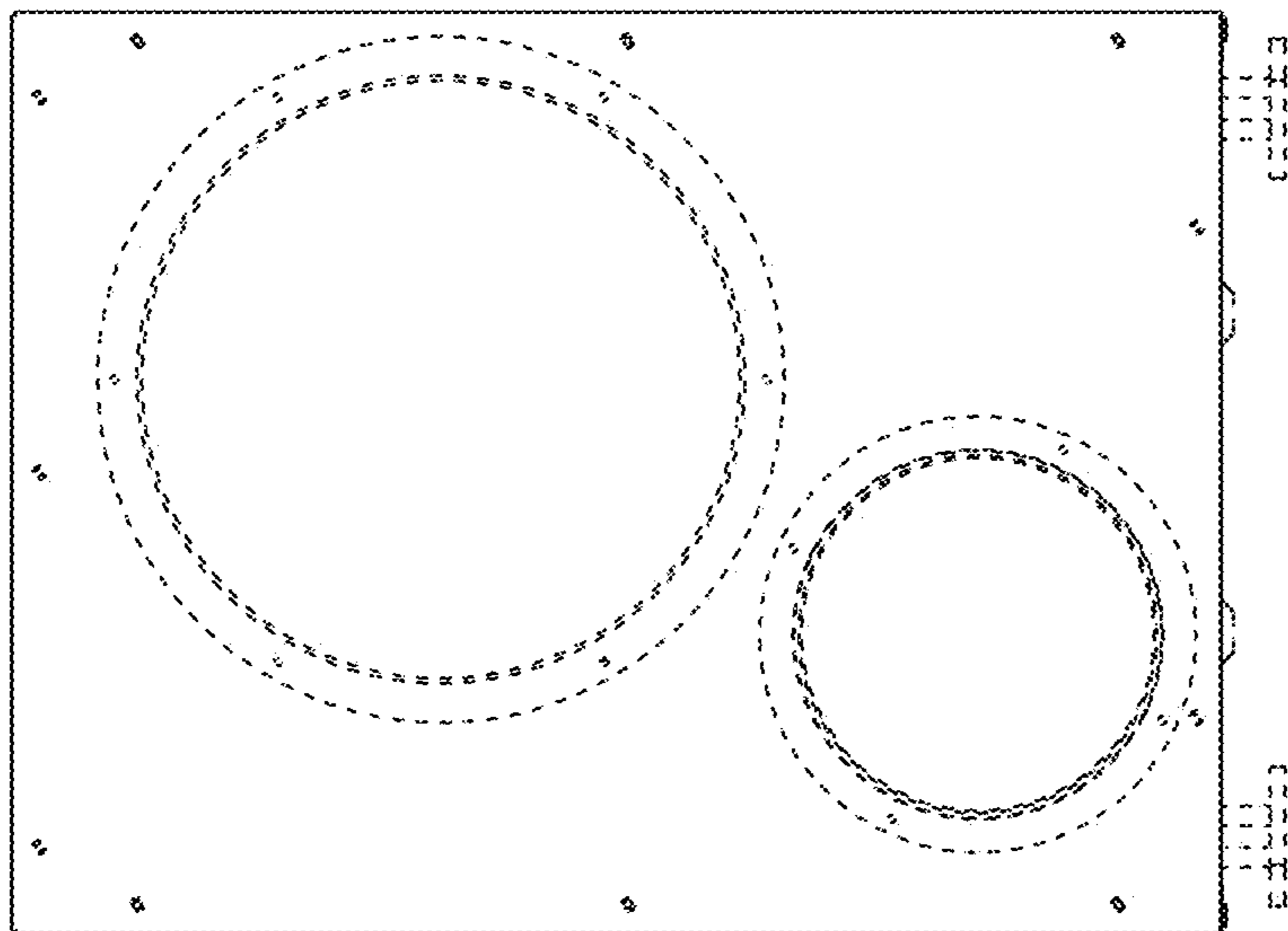


FIG. 7