



US00D884860S

(12) **United States Design Patent**
Zhang

(10) **Patent No.:** **US D884,860 S**

(45) **Date of Patent:** **** May 19, 2020**

(54) **AIR CONDITIONING APPARATUS**

(71) Applicant: **Jianzhen Zhang**, Jieyang (CN)

(72) Inventor: **Jianzhen Zhang**, Jieyang (CN)

(**) Term: **15 Years**

(21) Appl. No.: **29/721,302**

(22) Filed: **Jan. 20, 2020**

(51) **LOC (12) Cl.** **15-07**

(52) **U.S. Cl.**

USPC **D23/351**

(58) **Field of Classification Search**

USPC D23/332, 333, 335, 336, 342, 351,
D23/355-366

CPC F24F 11/30; F24F 11/62; F24F 2110/10;
F24F 11/46; F24F 11/56; F24F 2110/00;
F24F 11/58; F24F 2140/60; F24F 11/52;
F24F 11/32; F24F 11/63; F24F 11/64;
F24F 2006/008; F24F 3/14; F24F 11/59;
F24F 11/70; F24F 11/83; F24F 13/28;
F24F 1/0007; F24F 2100/20; F24F
2120/10; F24F 2120/20; F24F 2140/50;
F24F 11/0001; F24F 11/54; F24F 11/61;
F24F 11/76; F24F 11/85; F24F 11/88;
F24F 11/89; F24F 13/20; F24F 13/24;
F24F 1/02; F24F 1/022; F24F 1/08; F24F
1/12; F24F 1/32; F24F 2006/046; F24F
2110/70; F24F 2120/12; F24F 2120/14;
F24F 2130/00; F24F 2130/10; F24F
2130/30; F24F 2221/12; F24F 3/147;
F24F 3/1603; F24F 5/0035; F24F 6/02;
F24F 6/04; F24F 6/043; F24F 6/10; F24F
6/12; F24F 6/14; F24F 7/08

See application file for complete search history.

(56) **References Cited**

U.S. PATENT DOCUMENTS

240,646 A * 4/1881 Blair B65D 27/00
229/68.1
D677,773 S * 3/2013 Choi D23/356

D682,406 S * 5/2013 Yeom D23/356
D750,209 S * 2/2016 Satou
D755,942 S * 5/2016 Kim D23/364
D787,034 S * 5/2017 Showole D23/351
D794,762 S * 8/2017 Flowers D23/351
D797,913 S * 9/2017 Asvaintra D23/351
D818,097 S * 5/2018 Cho et al.
D826,388 S * 8/2018 Yeung D23/356
D835,763 S * 12/2018 Niedermann A61M 16/022
D23/356
D860,277 S 9/2019 Chang
D864,367 S * 10/2019 Chen D23/356
D864,368 S * 10/2019 Chen D23/356
D870,870 S * 12/2019 Copparstad D23/351
D870,873 S * 12/2019 Chen D23/356
D874,626 S * 2/2020 Protet D23/356
D879,274 S * 3/2020 Hu D23/356

* cited by examiner

Primary Examiner — Khawaja Anwar

(74) *Attorney, Agent, or Firm* — ScienBiziP, P.C.

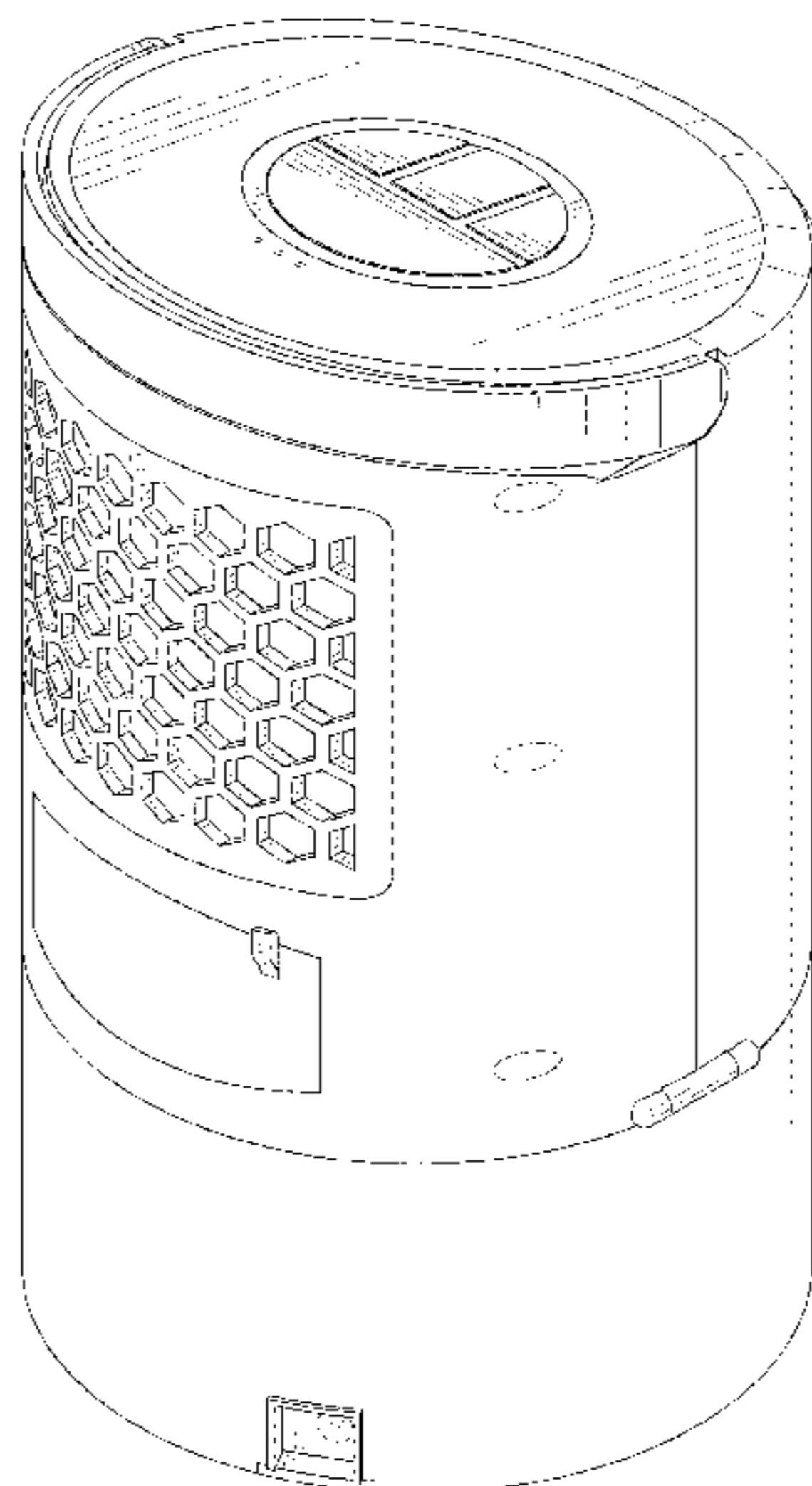
(57) **CLAIM**

The ornamental design for an air conditioning apparatus, as shown and described.

DESCRIPTION

FIG. 1 is a top, front, right side perspective view of an air conditioning apparatus, showing my design.
FIG. 2 is a bottom, rear, left side perspective view thereof.
FIG. 3 is a front elevation view thereof.
FIG. 4 is a rear elevation view thereof.
FIG. 5 is a left side elevation view thereof.
FIG. 6 is a right side elevation view thereof.
FIG. 7 is a top plan view thereof; and,
FIG. 8 is a bottom plan view thereof.
The details shown in broken lines form no part of the claimed design.

1 Claim, 8 Drawing Sheets



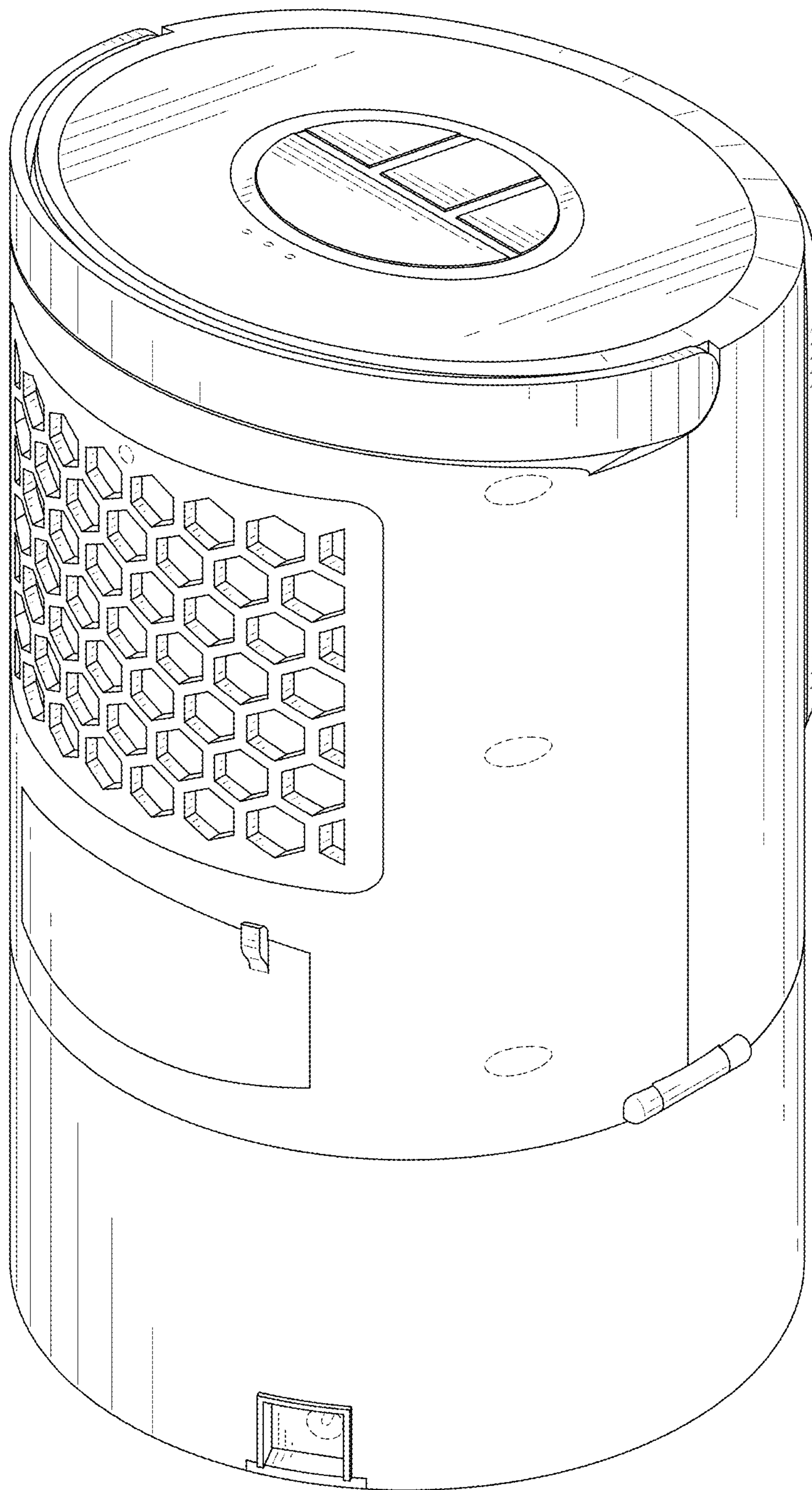


FIG. 1

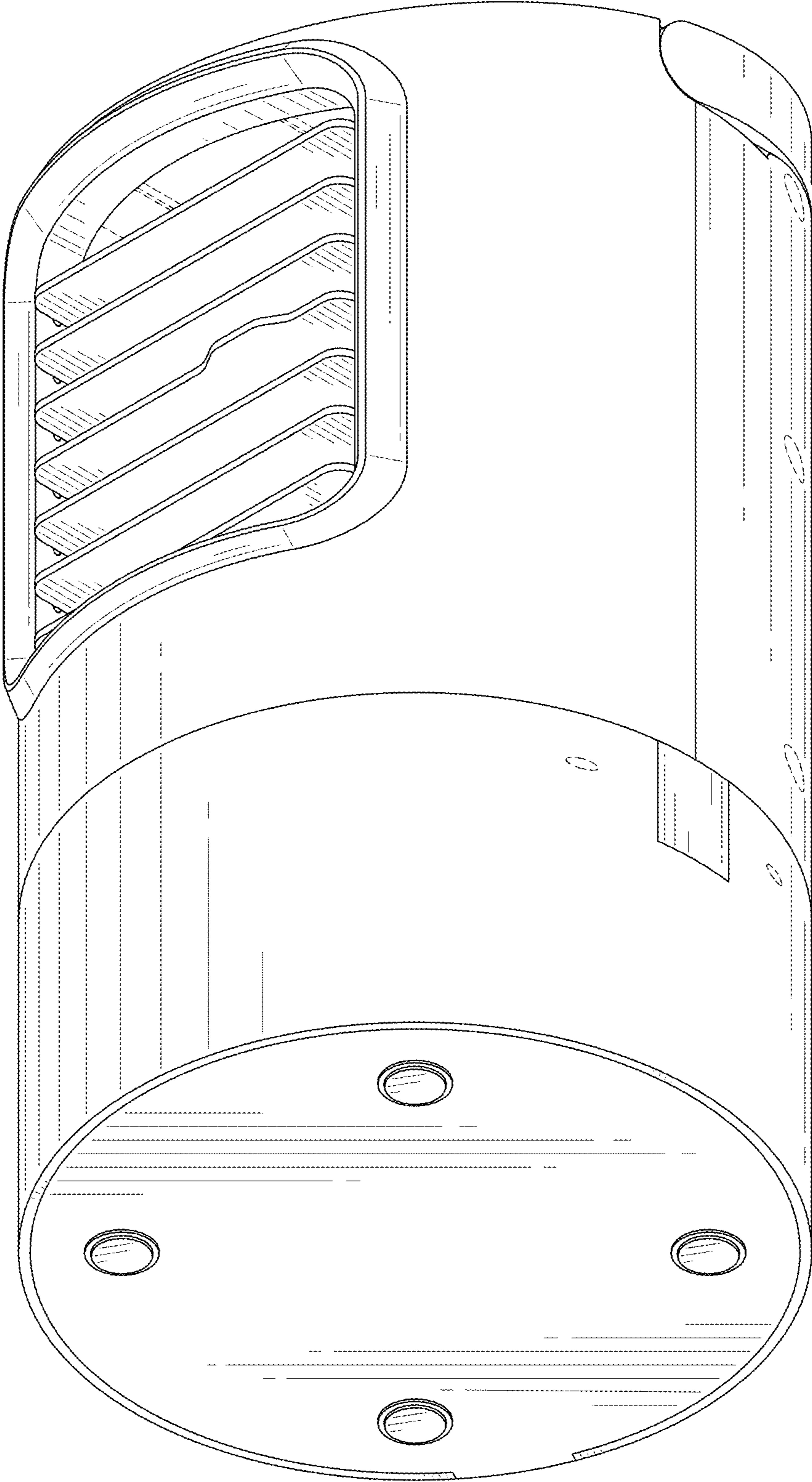


FIG. 2

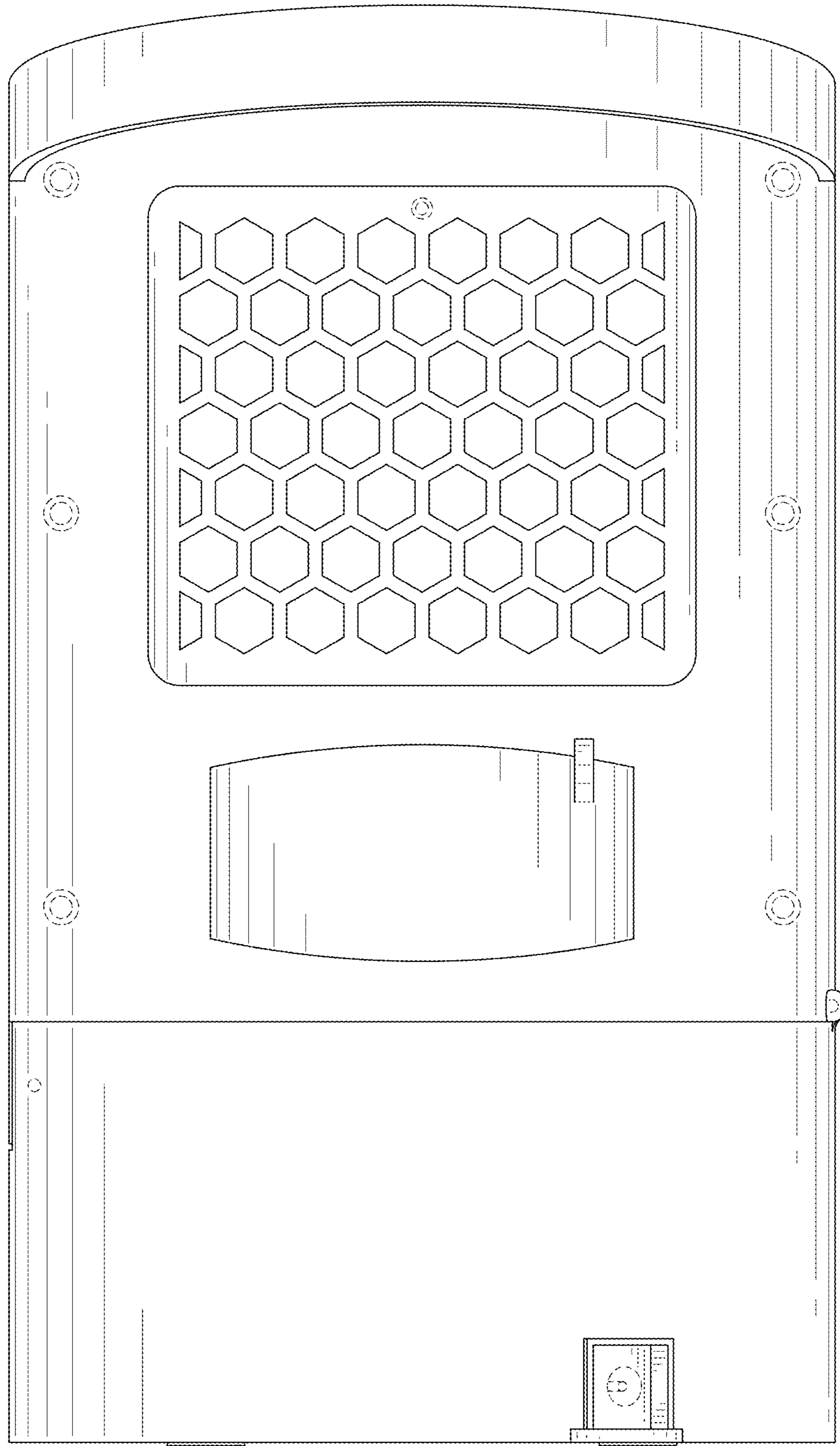


FIG. 3

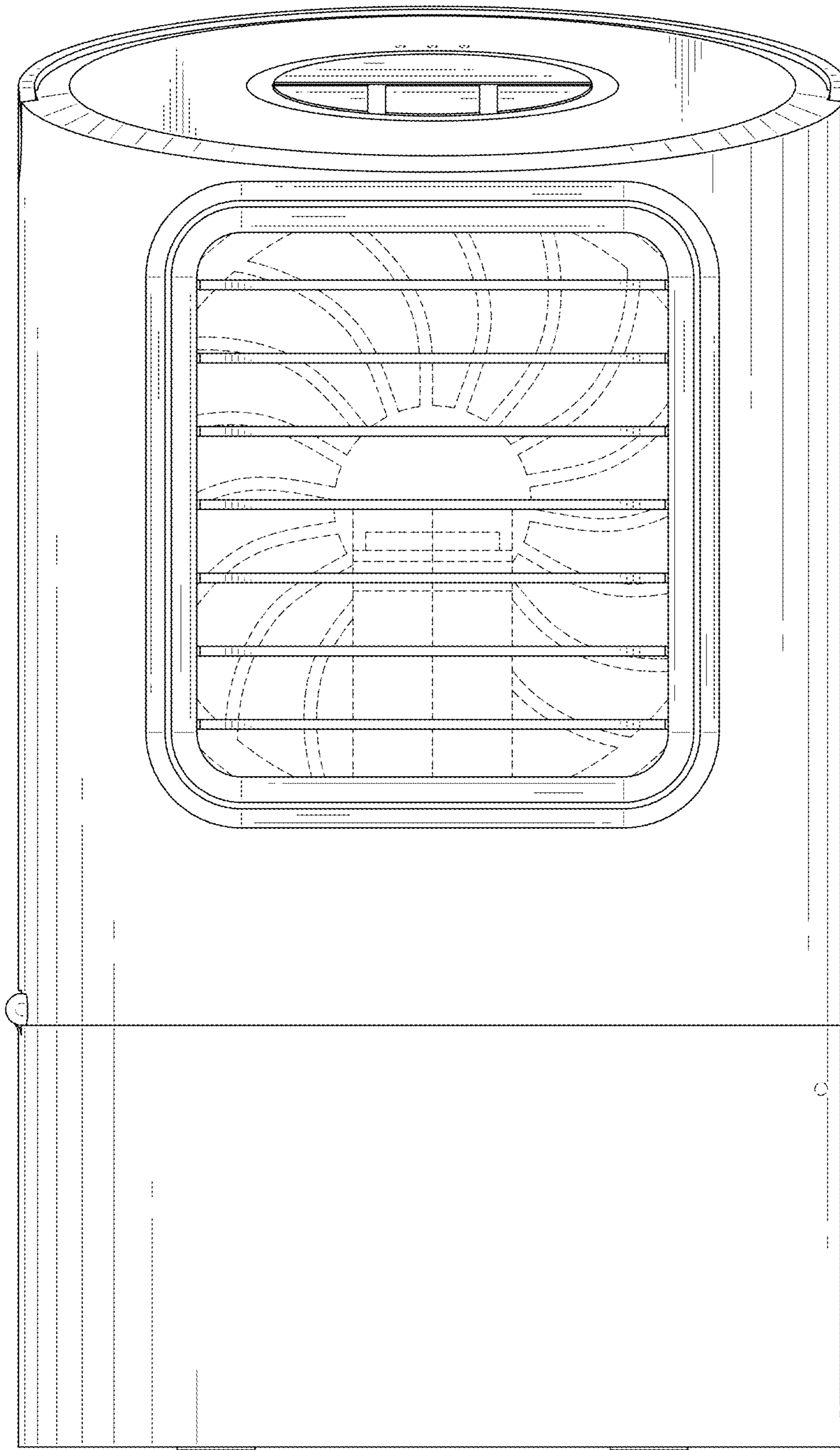


FIG. 4

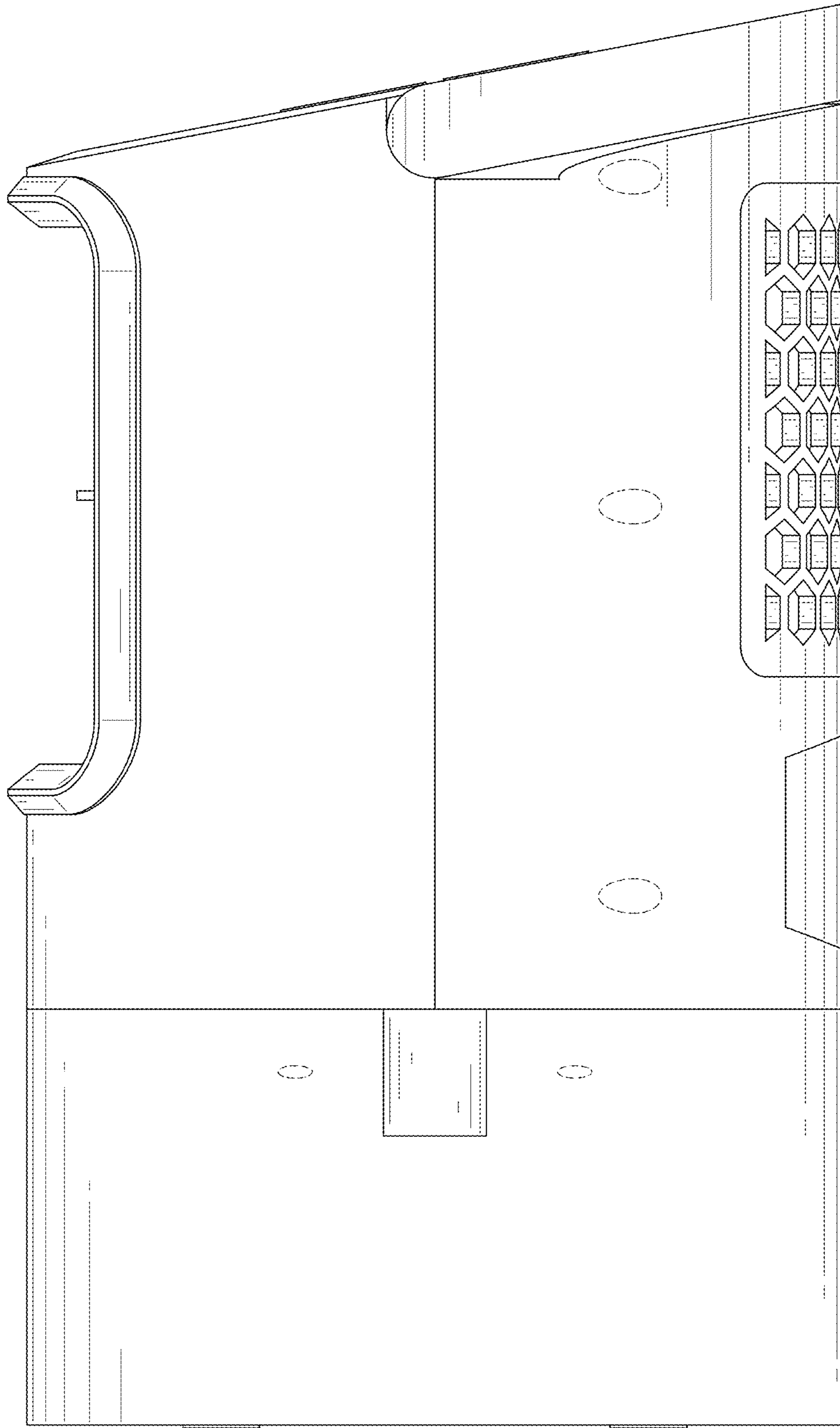


FIG. 5

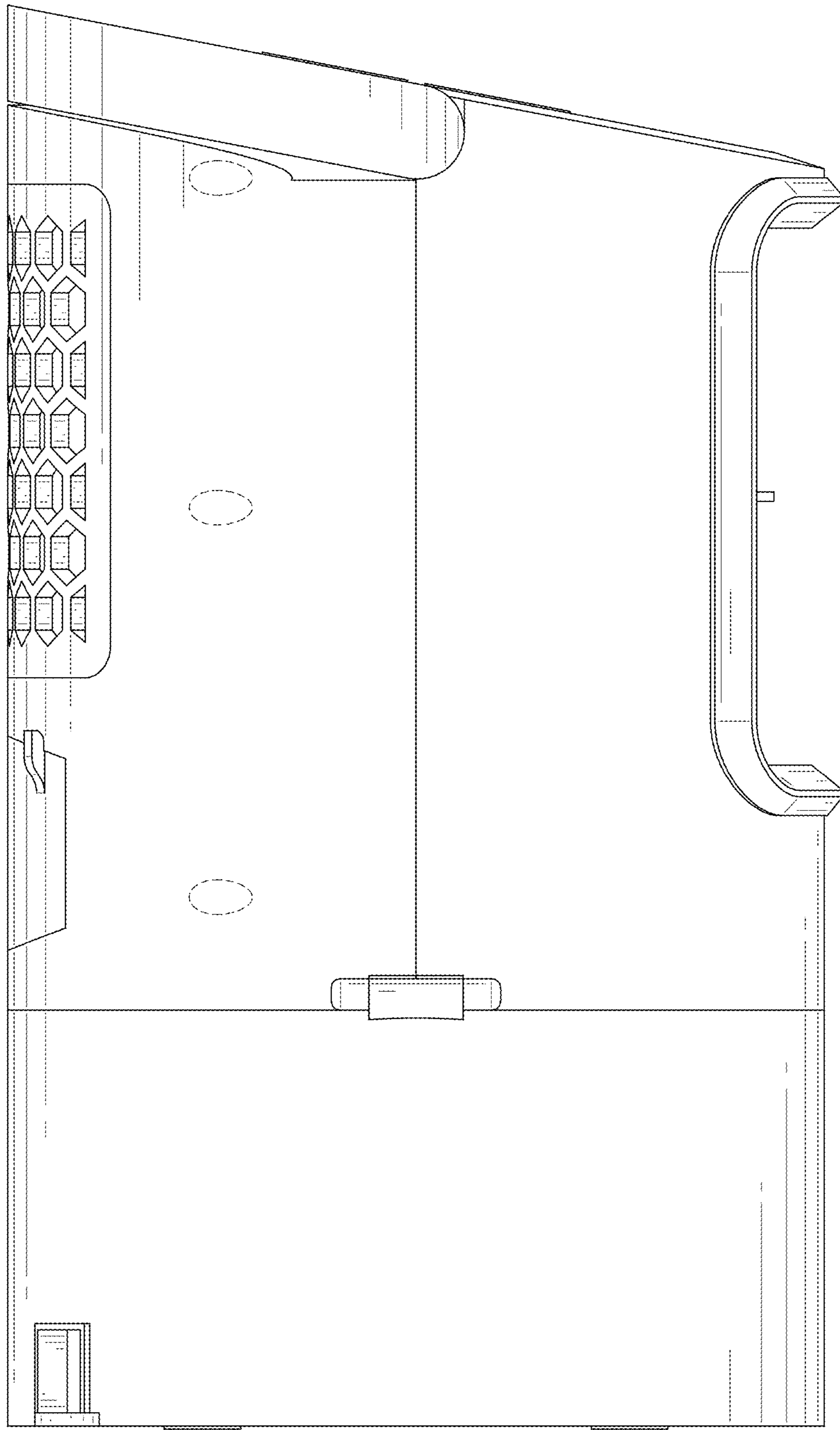


FIG. 6

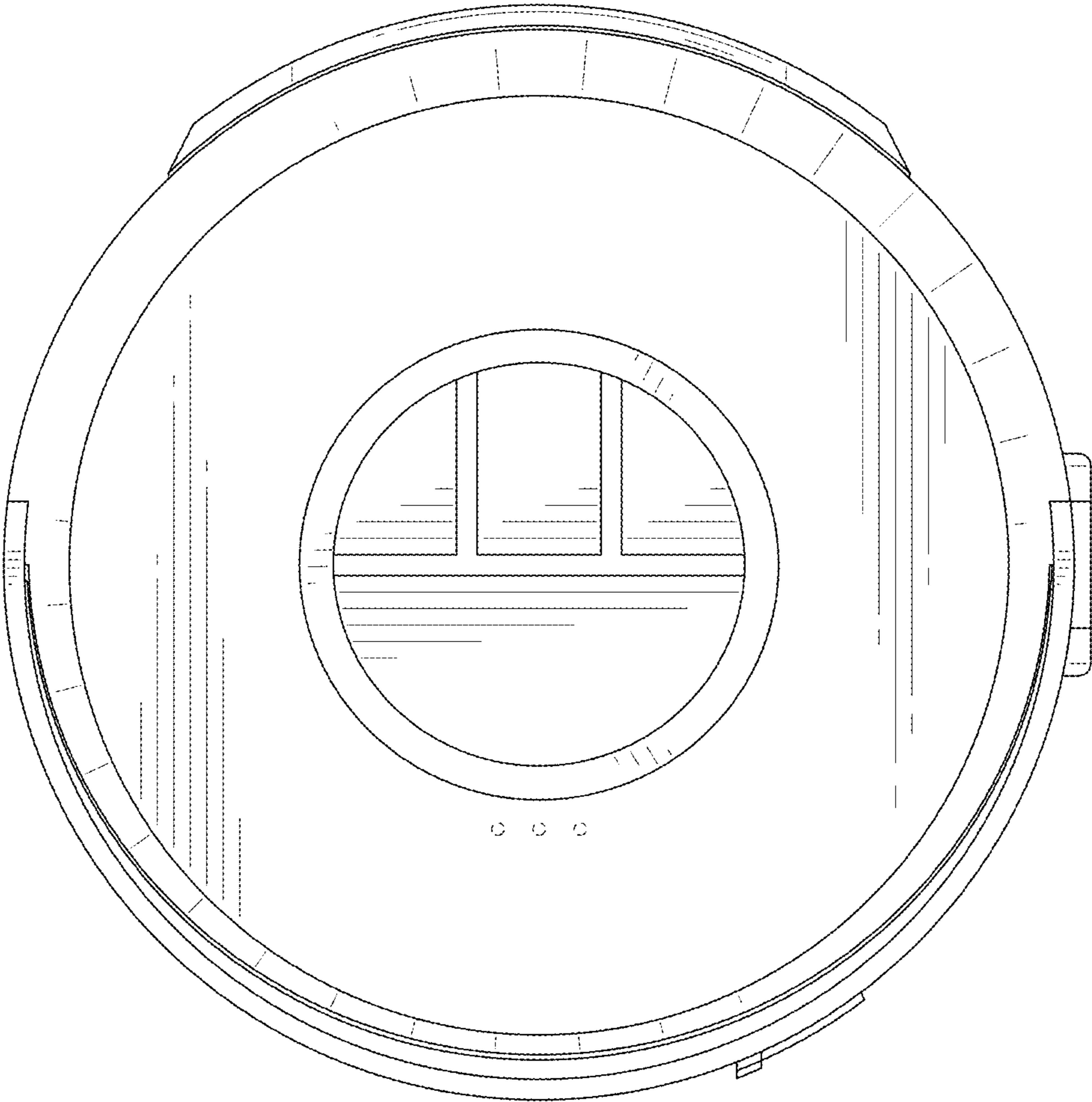


FIG. 7

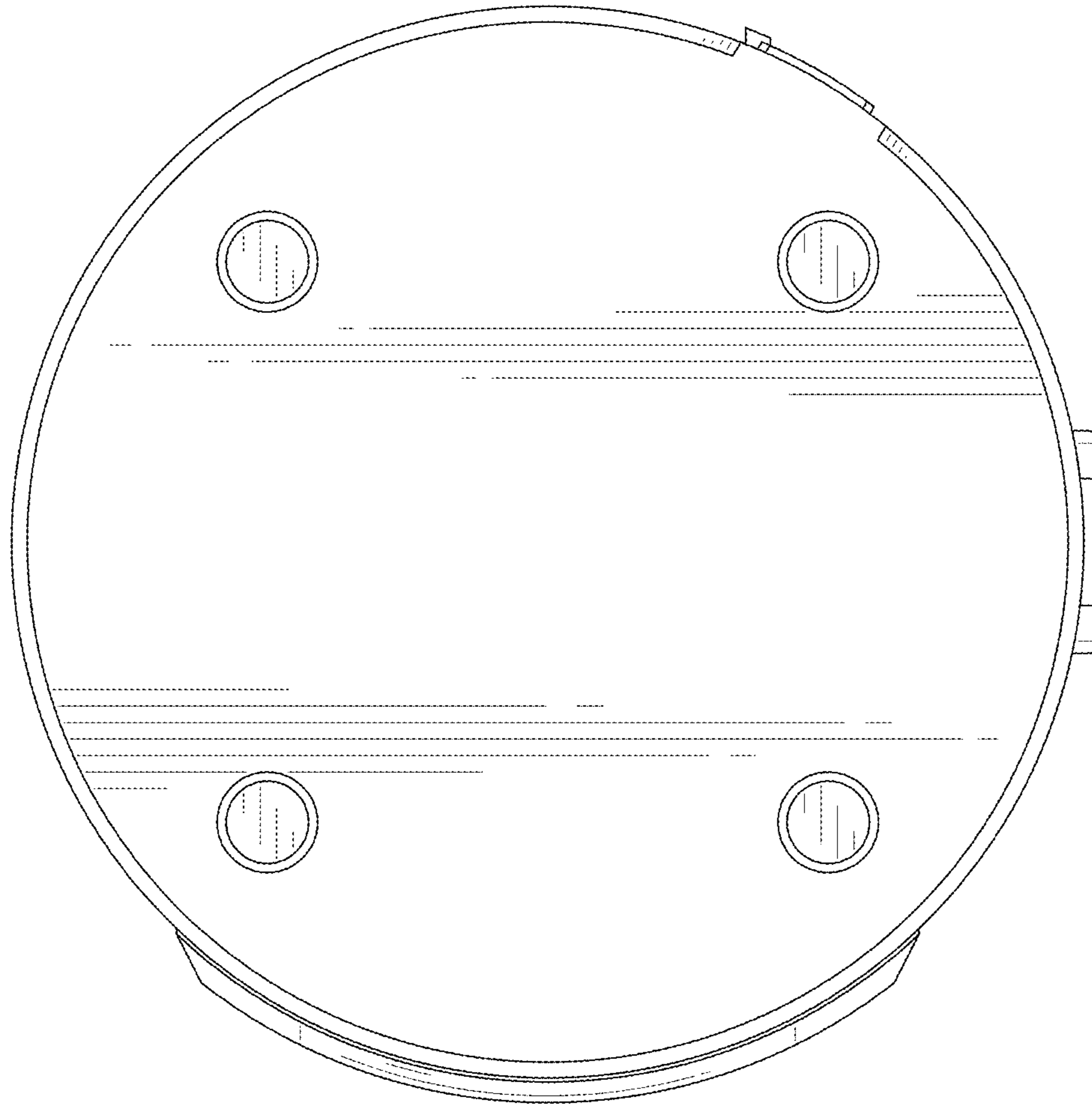


FIG. 8