



US00D884859S

(12) **United States Design Patent** (10) **Patent No.:** **US D884,859 S**
Lewis (45) **Date of Patent:** **** May 19, 2020**

(54) **BODY FOR A PORTABLE HEATER**

(56) **References Cited**

(71) Applicant: **Lasko Operation Holdings LLC**,
Wilmington, DE (US)

U.S. PATENT DOCUMENTS

(72) Inventor: **William Lewis**, Exton, PA (US)

D151,488 S *	10/1948	Bjorncrantz	D23/335
D640,356 S *	6/2011	Lewis	D23/314
D687,136 S *	7/2013	Nemes	D23/332
D725,758 S *	3/2015	Kim	D23/333
D825,725 S *	8/2018	Shapiro	D23/332
D825,726 S *	8/2018	Lewis	D23/332

(73) Assignee: **Lasko Operation Holdings, LLC**,
Wilmington, DE (US)

* cited by examiner

(**) Term: **15 Years**

Primary Examiner — Ania Aman

(21) Appl. No.: **29/688,132**

(74) *Attorney, Agent, or Firm* — Pepper Hamilton LLP

(22) Filed: **Apr. 18, 2019**

(57) **CLAIM**

(51) **LOC (12) Cl.** **23-03**

The ornamental design for a body for a portable heater, as shown and described.

(52) **U.S. Cl.**

DESCRIPTION

USPC **D23/335**

(58) **Field of Classification Search**

USPC D23/314, 317, 318, 319, 320, 321, 322,
D23/323, 329, 330, 331, 332, 334, 335,
D23/333, 336, 337, 338, 339, 340, 341,
D23/342, 370, 378, 411, 412, 356, 358,
D23/359, 363, 328

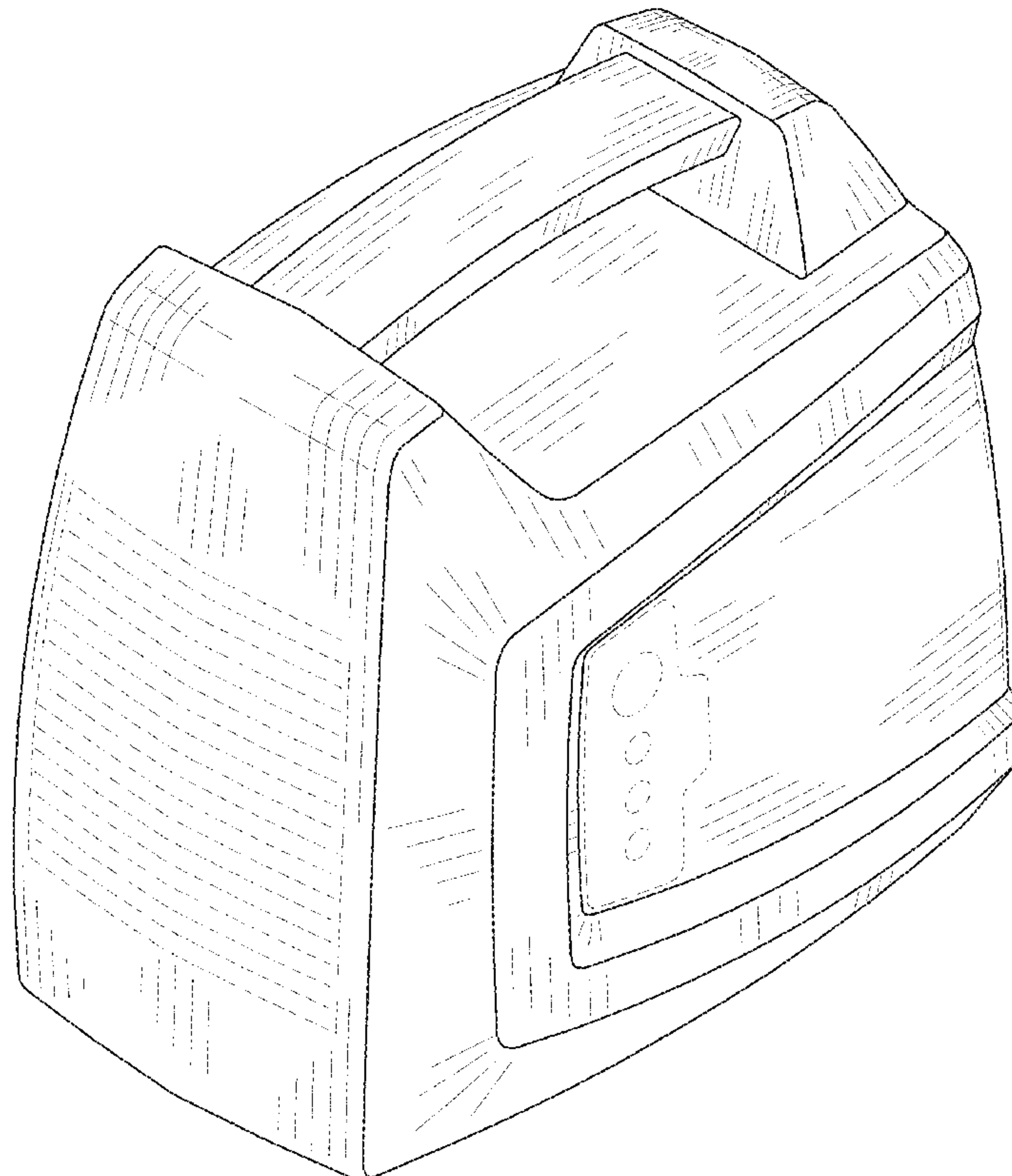
CPC F24H 3/00; F24H 3/0411; F24H 3/0417;
F24H 9/0063; F24H 9/0073; F24H 9/02;
F24H 3/082; F24H 9/2071; F24H 3/002;
F24H 3/02; F24H 3/04; F04D 17/04;
F04D 25/08; F04D 25/10; F04D 5/00;
H05B 3/008

FIG. 1 is a right side front perspective view of a body for a portable heater showing my new design;
FIG. 2 is a left side rear perspective view thereof;
FIG. 3 is a front elevation view thereof;
FIG. 4 is a right side elevation view thereof;
FIG. 5 is a left side elevation view thereof;
FIG. 6 is a rear elevation view thereof; and,
FIG. 7 is a top plan view thereof.

The broken lines illustrate portions and environmental structure of the body for a portable heater and form no part of the claimed design.

See application file for complete search history.

1 Claim, 7 Drawing Sheets



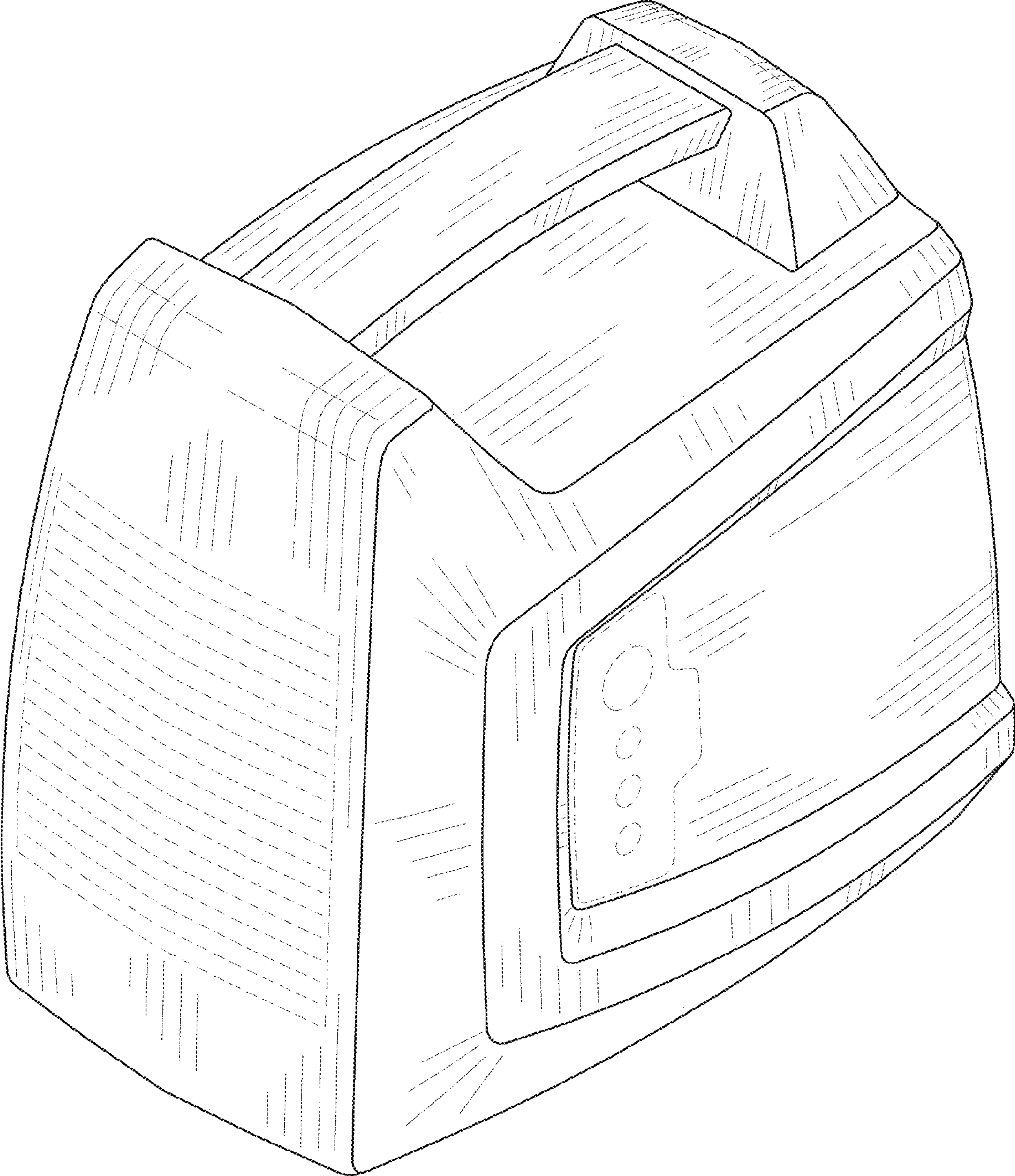


FIG. 1

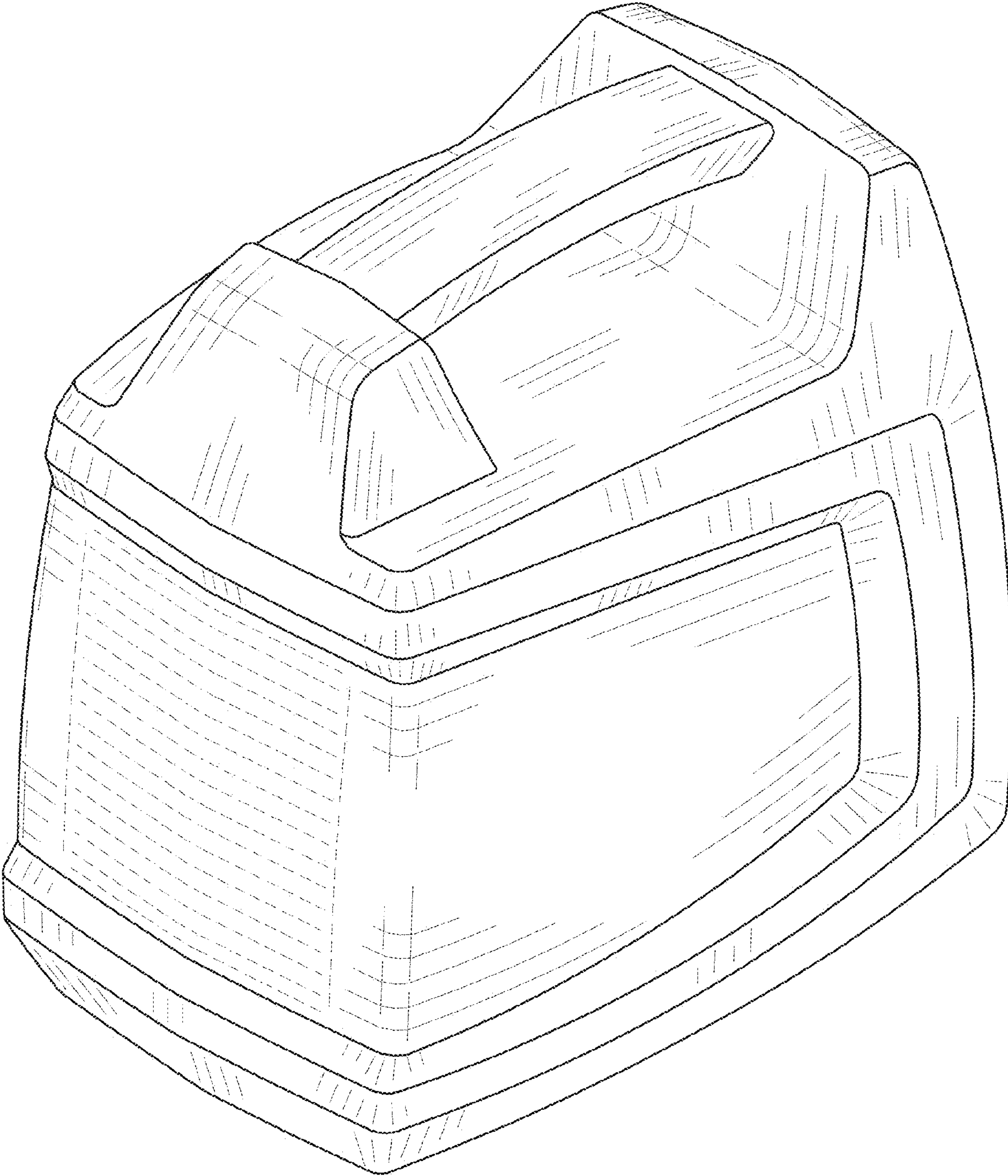


FIG. 2

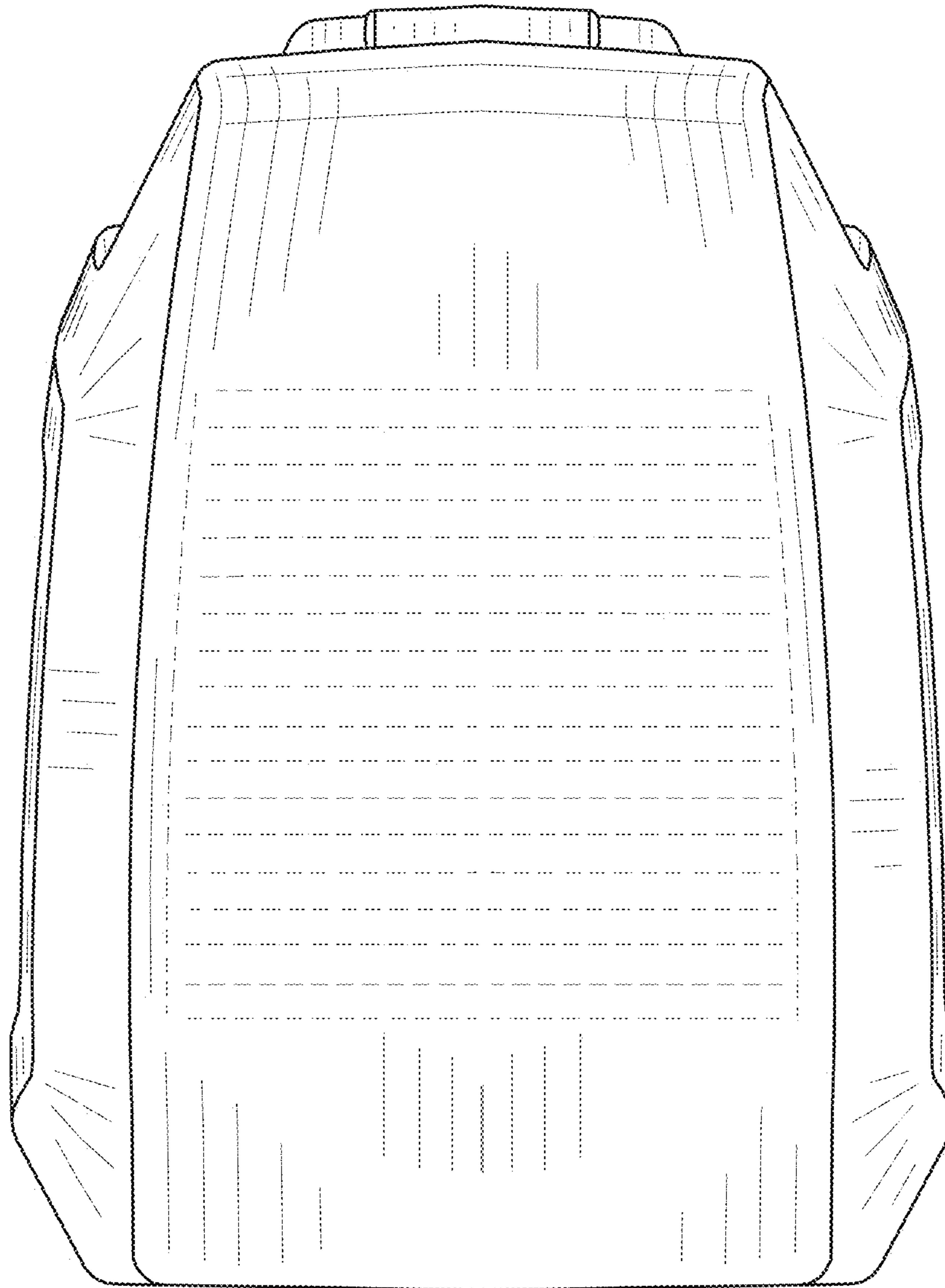


FIG. 3

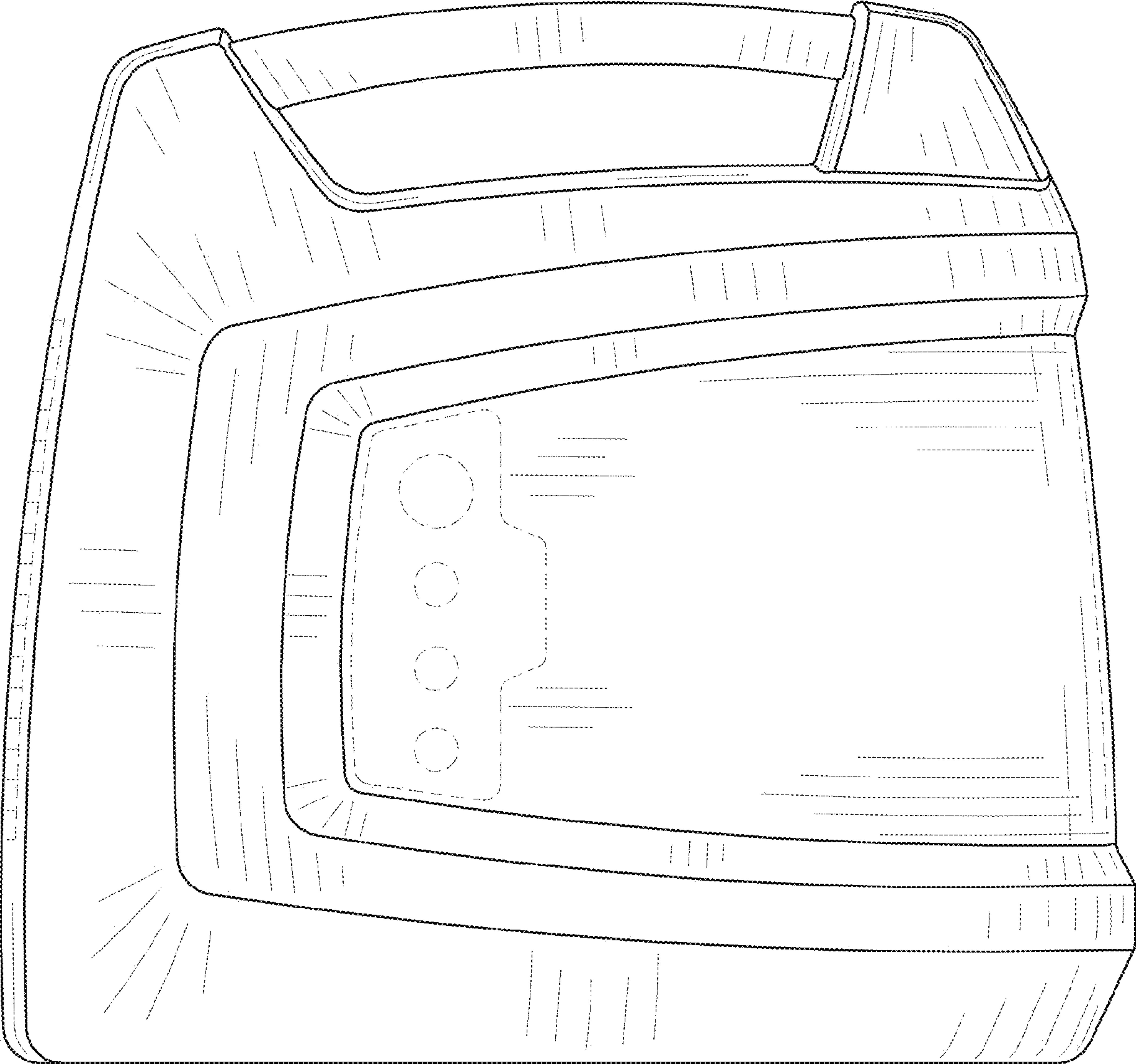


FIG. 4

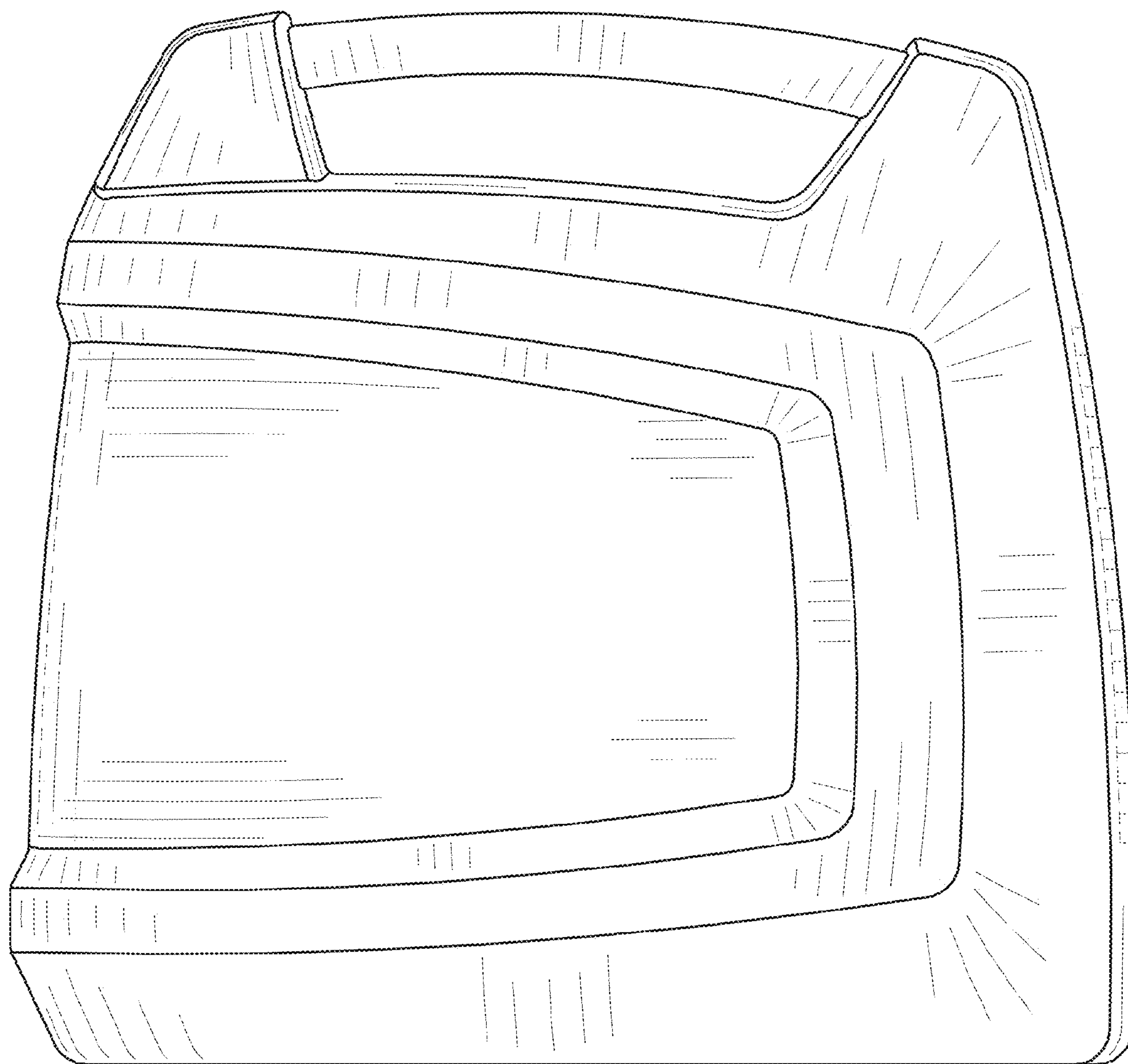


FIG. 5

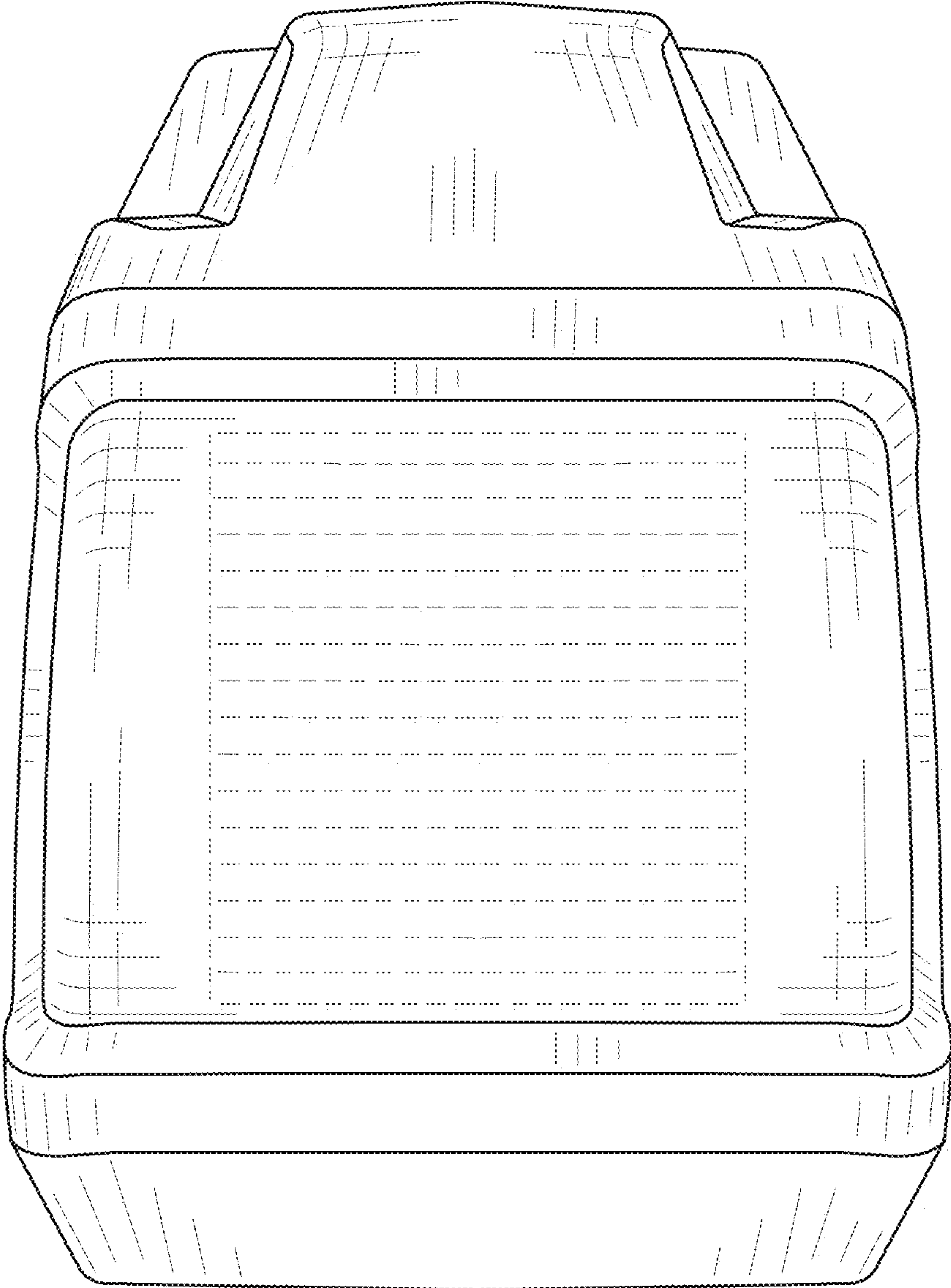


FIG. 6

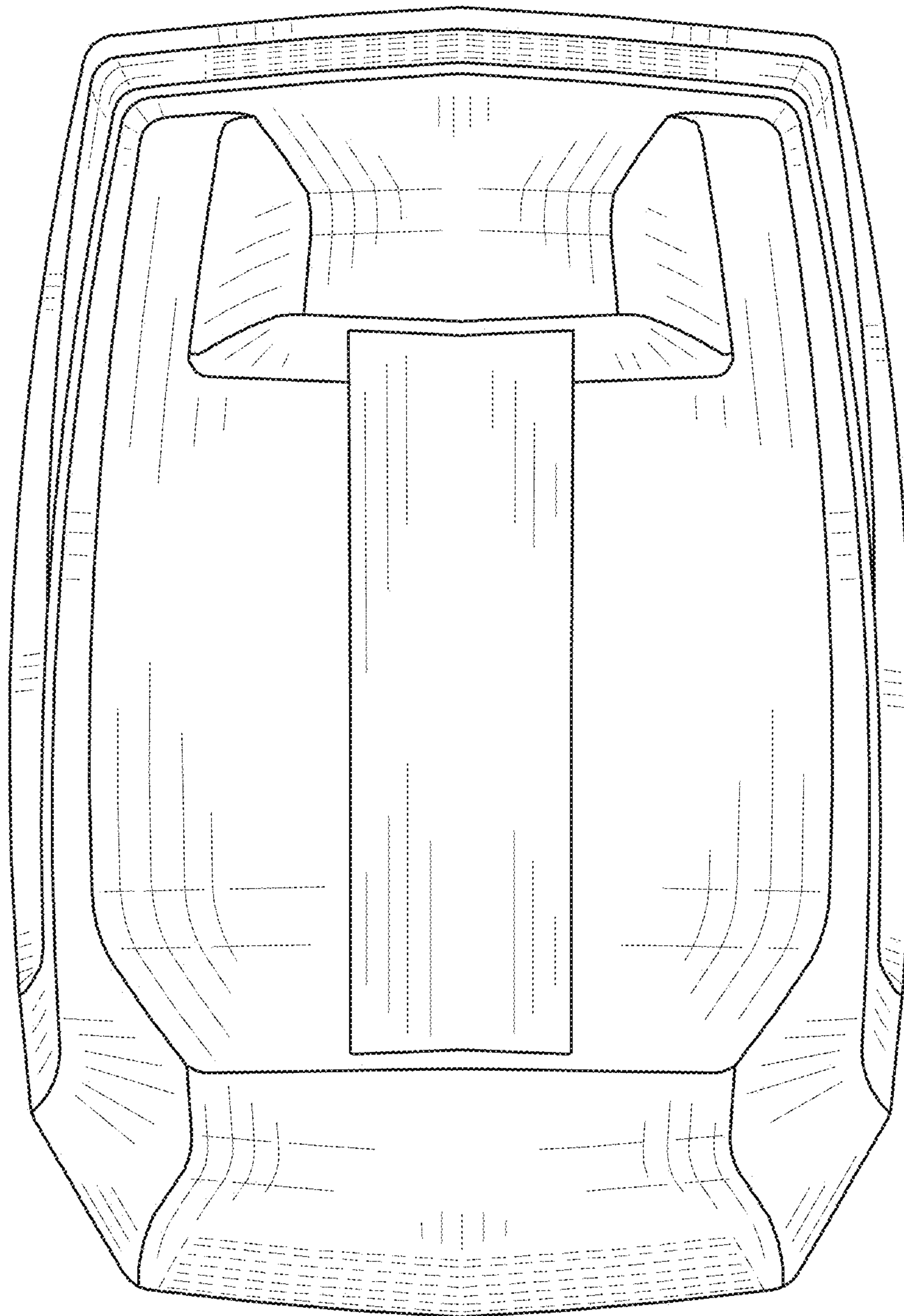


FIG. 7