



US00D884856S

(12) **United States Design Patent**
Jones et al.

(10) **Patent No.:** **US D884,856 S**

(45) **Date of Patent:** **** May 19, 2020**

(54) **HEATER**

(71) Applicant: **Marine Canada Acquisition Inc.**,
Richmond (CA)

(72) Inventors: **Russell Roger Jones**, Vancouver (CA);
Tan Howard Rambo, Burnaby (CA)

(73) Assignee: **Marine Canada Acquisition Inc.**,
Richmond (CA)

(**) Term: **15 Years**

(21) Appl. No.: **29/589,426**

(22) Filed: **Dec. 30, 2016**

(51) **LOC (12) Cl.** **12-16**

(52) **U.S. Cl.**
USPC **D23/324**

(58) **Field of Classification Search**
USPC D23/324, 325; D15/1; D13/110, 112;
D16/221-232
CPC F24H 3/02; G05D 23/19; H04W 4/12
See application file for complete search history.

(56) **References Cited**

U.S. PATENT DOCUMENTS

D168,251 S	*	11/1952	Bergstrom	D23/324
D276,240 S	*	11/1984	Bonnefoy	D16/225
D309,612 S	*	7/1990	Nakagawa	D15/1
D402,741 S	*	12/1998	Chen	D23/335
D480,354 S	*	10/2003	Hassenzahl	D13/103
D570,877 S	*	6/2008	Glass	D15/1
D570,879 S	*	6/2008	Glass	D15/1
D579,026 S	*	10/2008	Busschaert	D15/1
D605,661 S	*	12/2009	Koehl	D15/1
D627,316 S	*	11/2010	Theisen	D13/182
D654,158 S	*	2/2012	Chen	D23/317
D682,202 S	*	5/2013	Weaver, Jr.	D13/108
D699,180 S	*	2/2014	Sweere	D13/103
D751,118 S	*	3/2016	Suzuki	D15/1
D796,553 S	*	9/2017	Tinius	D15/1

(Continued)

OTHER PUBLICATIONS

Proheat Website, Proheat x30, Earliest publication date from Wayback Machine Nov. 2, 2016, Available on the Internet URL <https://web.archive.org/web/20161102232748/http://www.proheat.com/x30/index.html>.*

Primary Examiner — Karen S Acker

Assistant Examiner — Steven B Reinholdt, Jr.

(74) *Attorney, Agent, or Firm* — Cameron IP

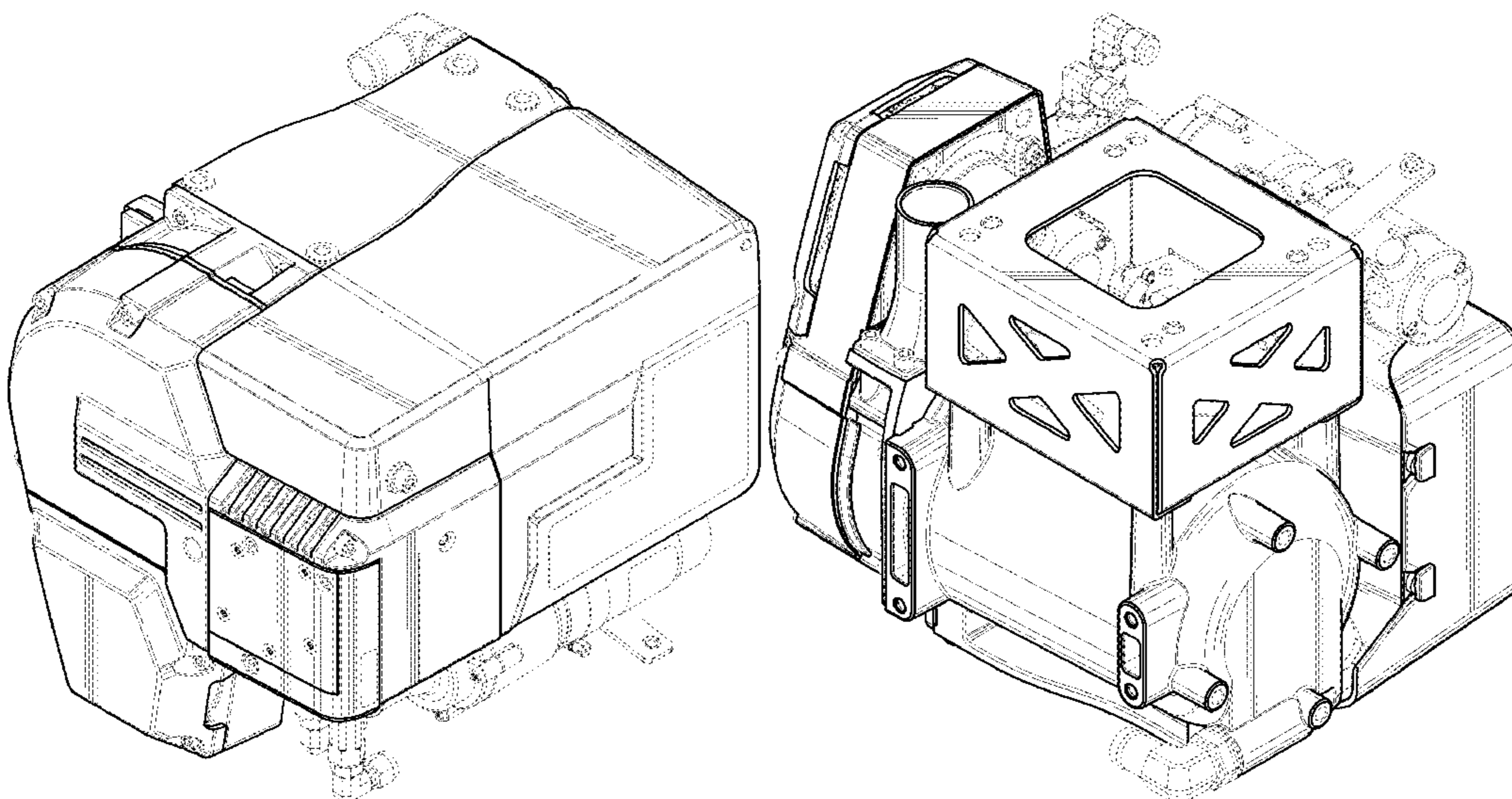
(57) **CLAIM**

The ornamental design for a heater, as shown and described.

DESCRIPTION

FIG. 1 is a front, top perspective view of a first embodiment of a heater showing the new design; FIG. 2 is a rear, bottom perspective view thereof; FIG. 3 is a front elevational view thereof; FIG. 4 is a rear elevational view thereof; FIG. 5 is a side elevational view thereof; FIG. 6 is a side elevational view from the side opposite to that of FIG. 5; FIG. 7 is a top plan view thereof; FIG. 8 is a bottom plan view thereof; FIG. 9 is a front, top perspective view of a second embodiment of a heater showing the new design; FIG. 10 is a rear, bottom perspective view thereof; FIG. 11 is a front elevational view thereof; FIG. 12 is a rear elevational view thereof; FIG. 13 is a side elevational view thereof; FIG. 14 is a side elevational view from the side opposite to that of FIG. 13; FIG. 15 is a top plan view thereof; and, FIG. 16 is a bottom plan view thereof. The broken lines in the figures depict portions of the heater that form no part of the claimed design. The dot-dash-dot broken lines denote the boundaries of the claim and form no part thereof.

1 Claim, 16 Drawing Sheets



(56)

References Cited

U.S. PATENT DOCUMENTS

D823,896 S * 7/2018 Yamamoto et al. D15/1
D829,769 S * 10/2018 Tiefenthaler D15/5

* cited by examiner

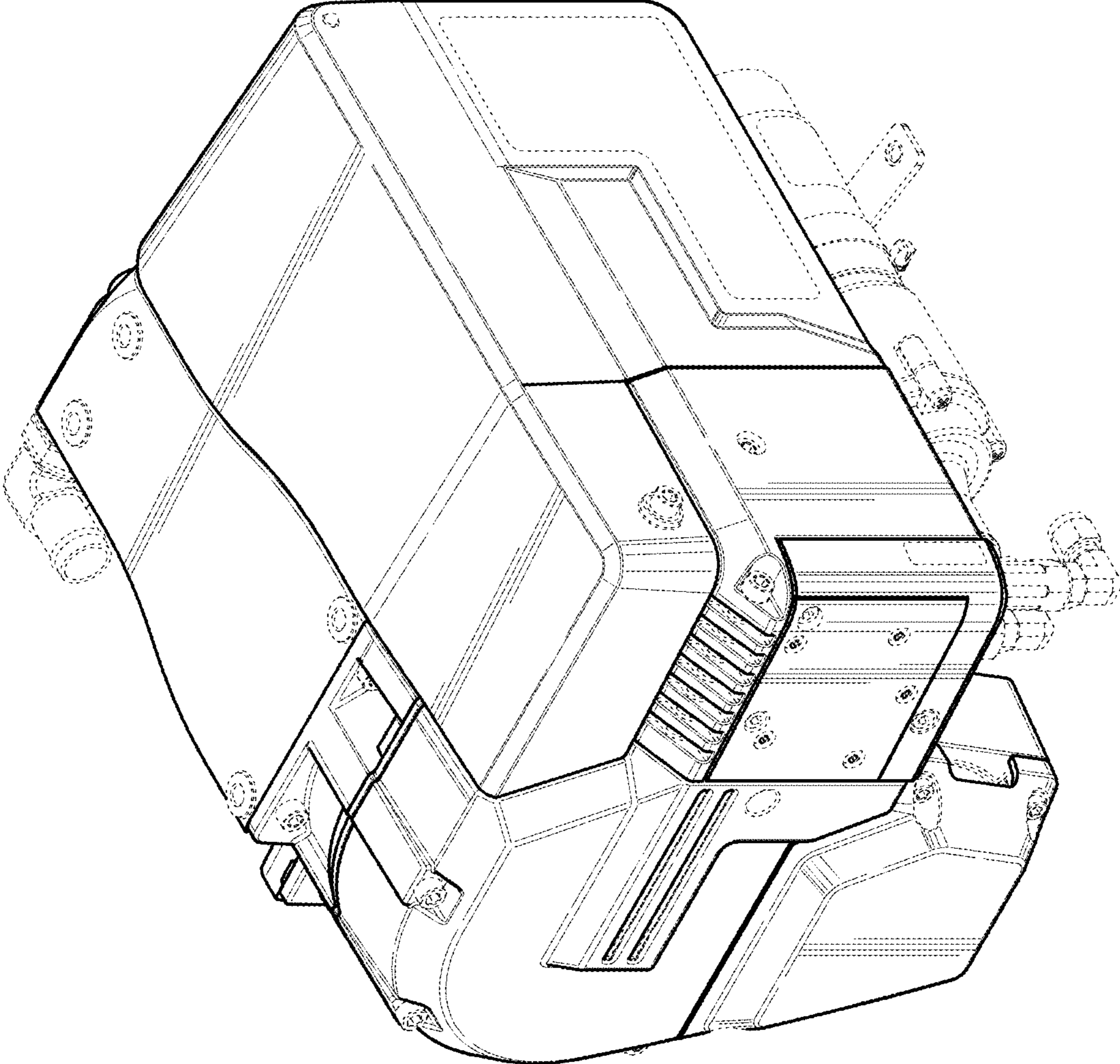


FIG. 1

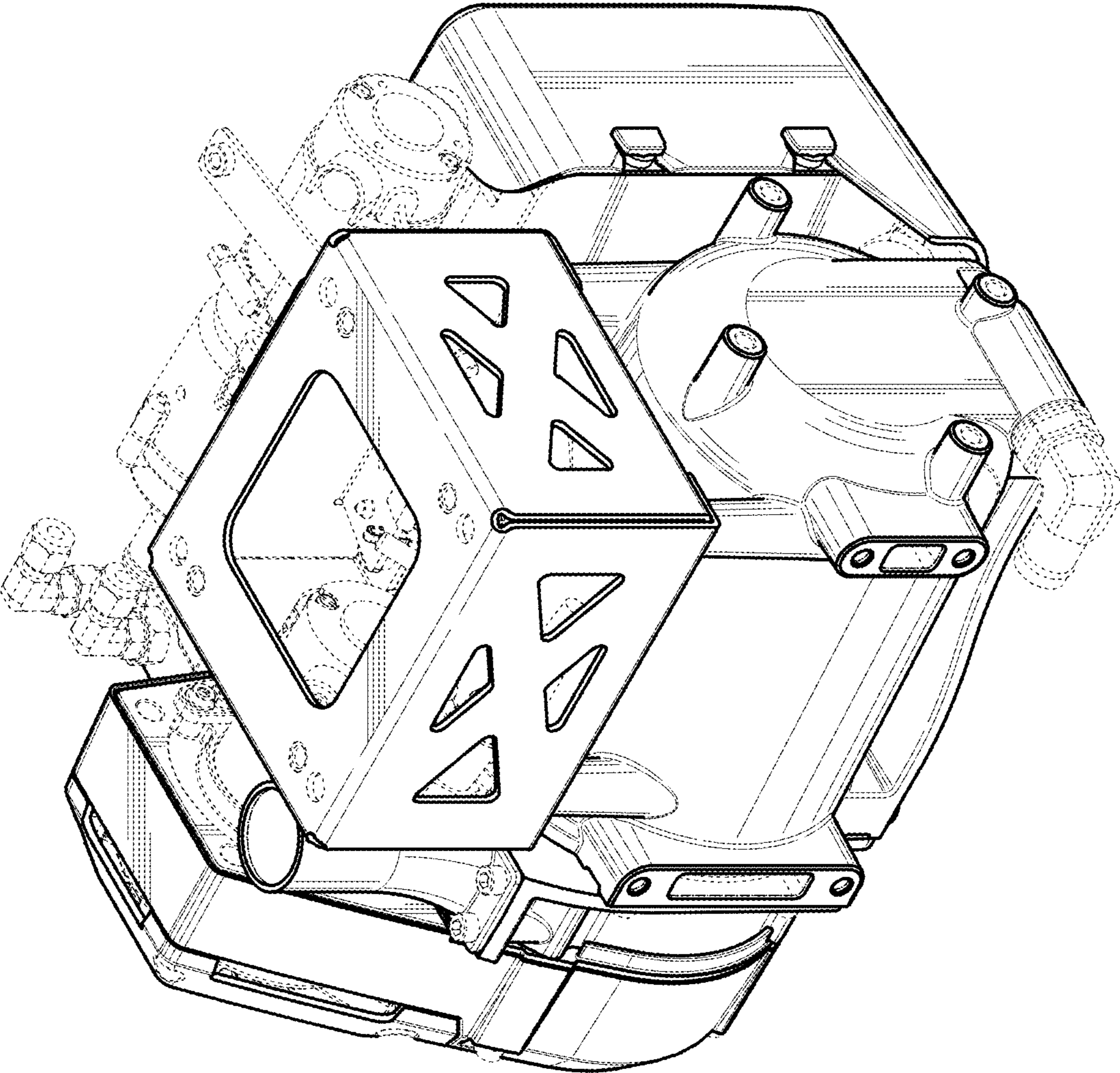


FIG. 2

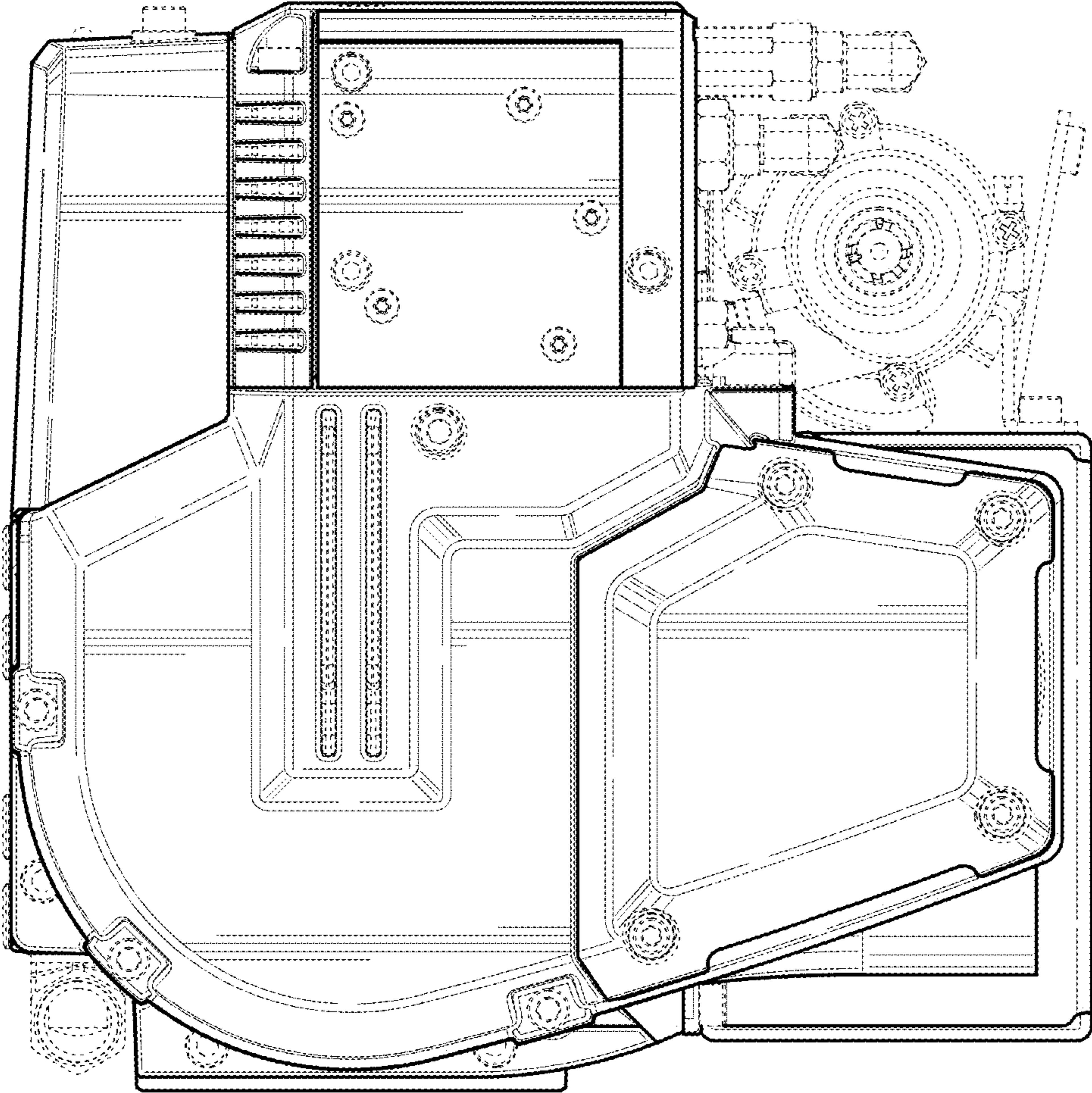


FIG. 3

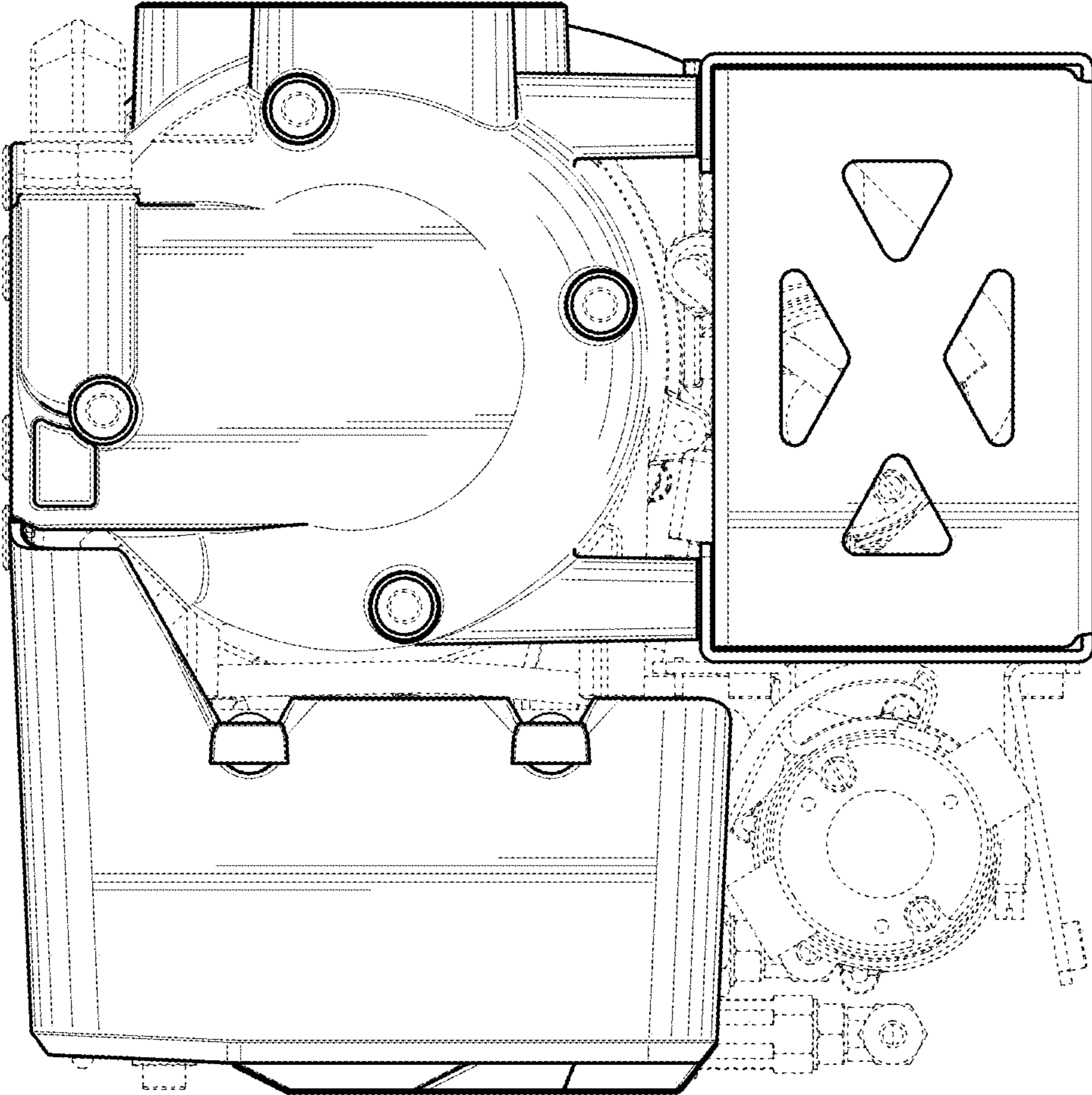


FIG. 4

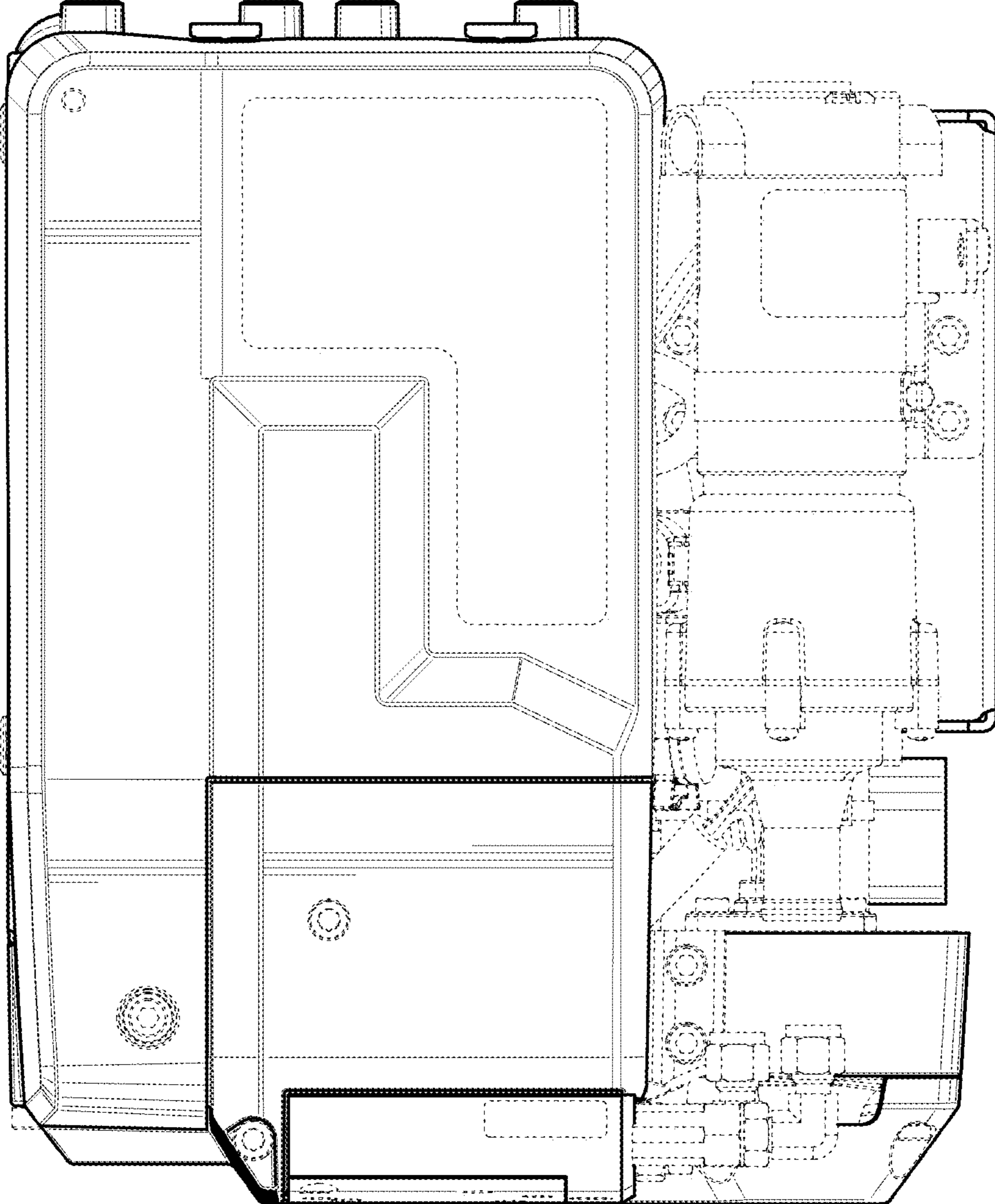


FIG. 5

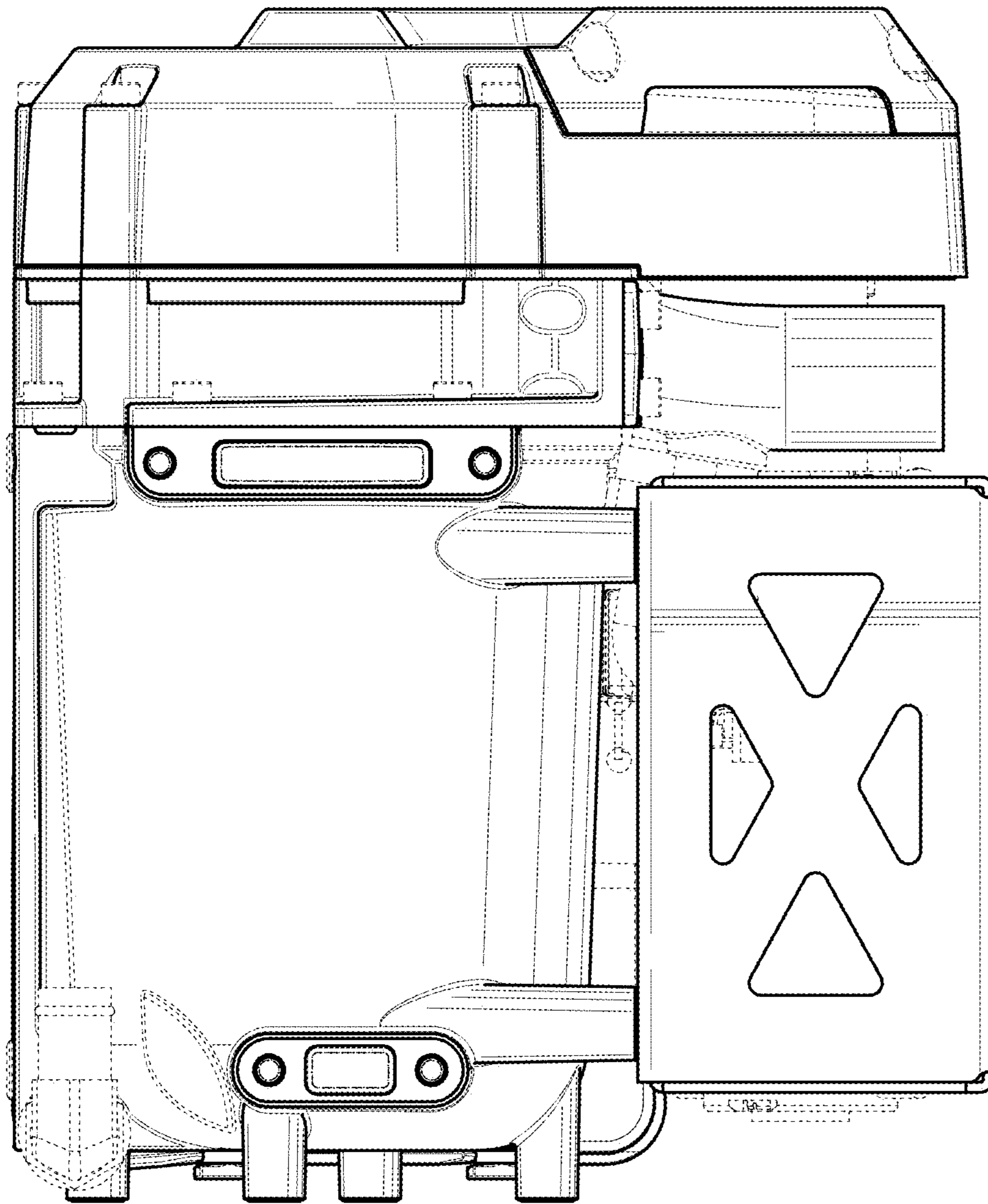


FIG. 6

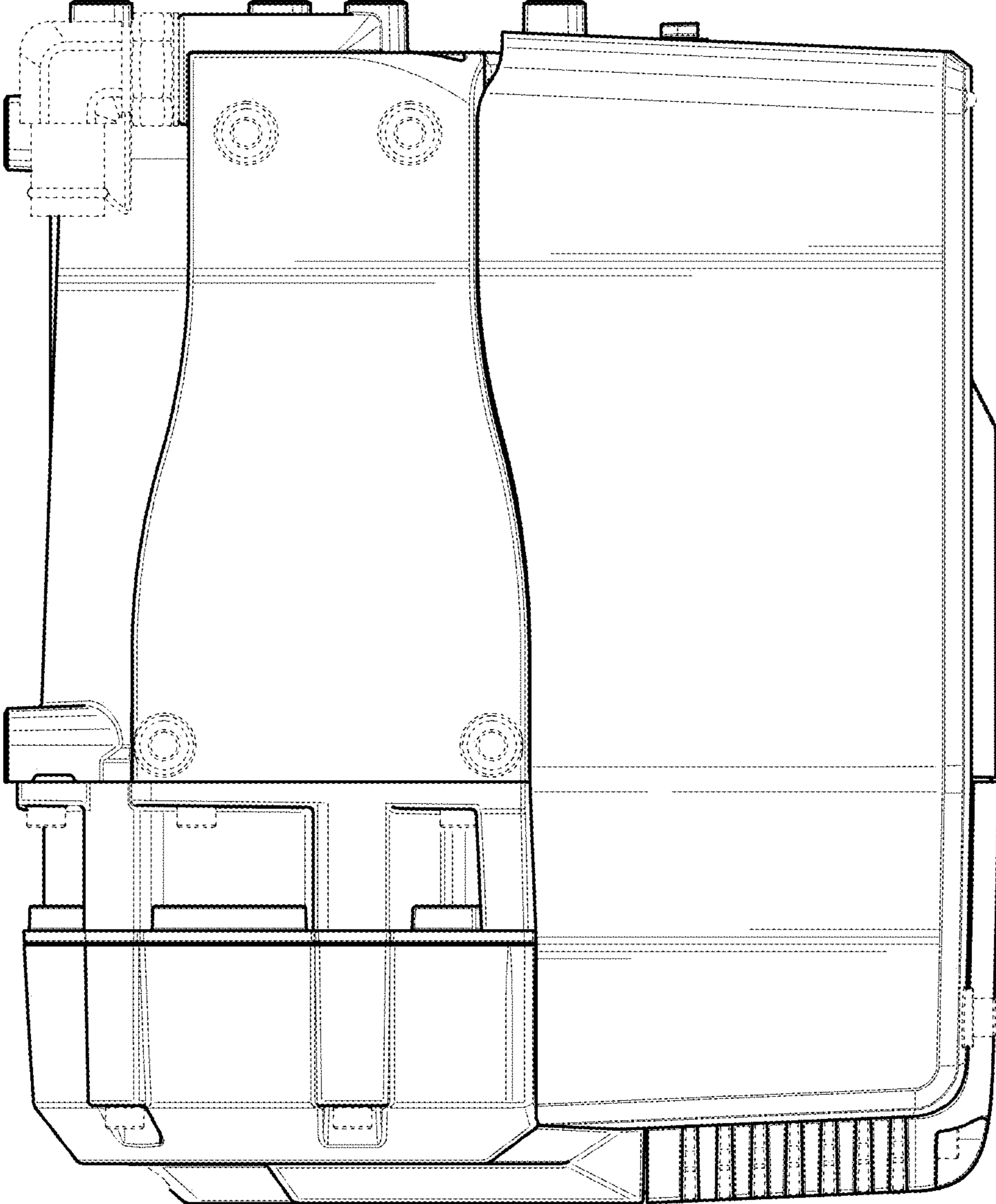


FIG. 7

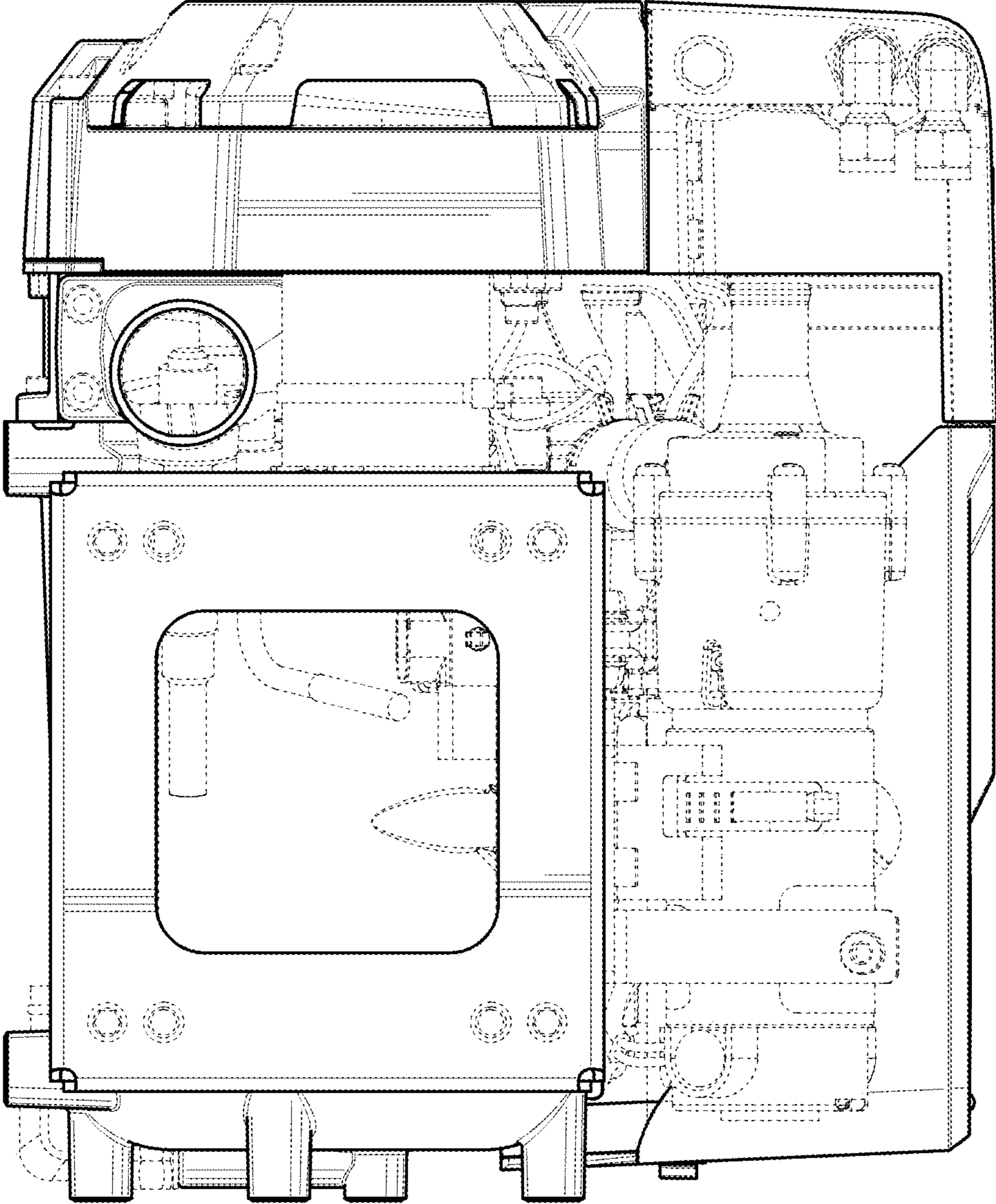


FIG. 8

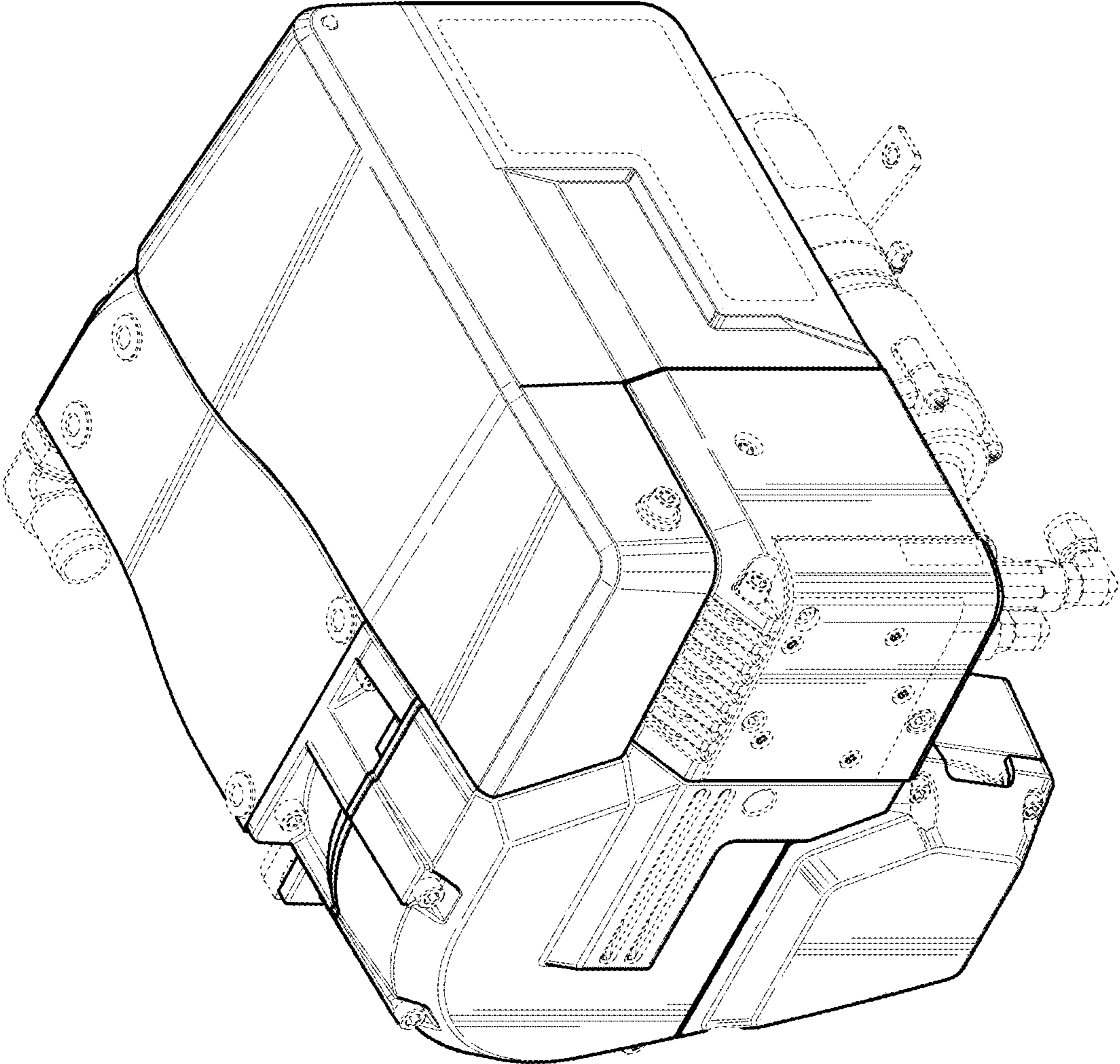


FIG. 9

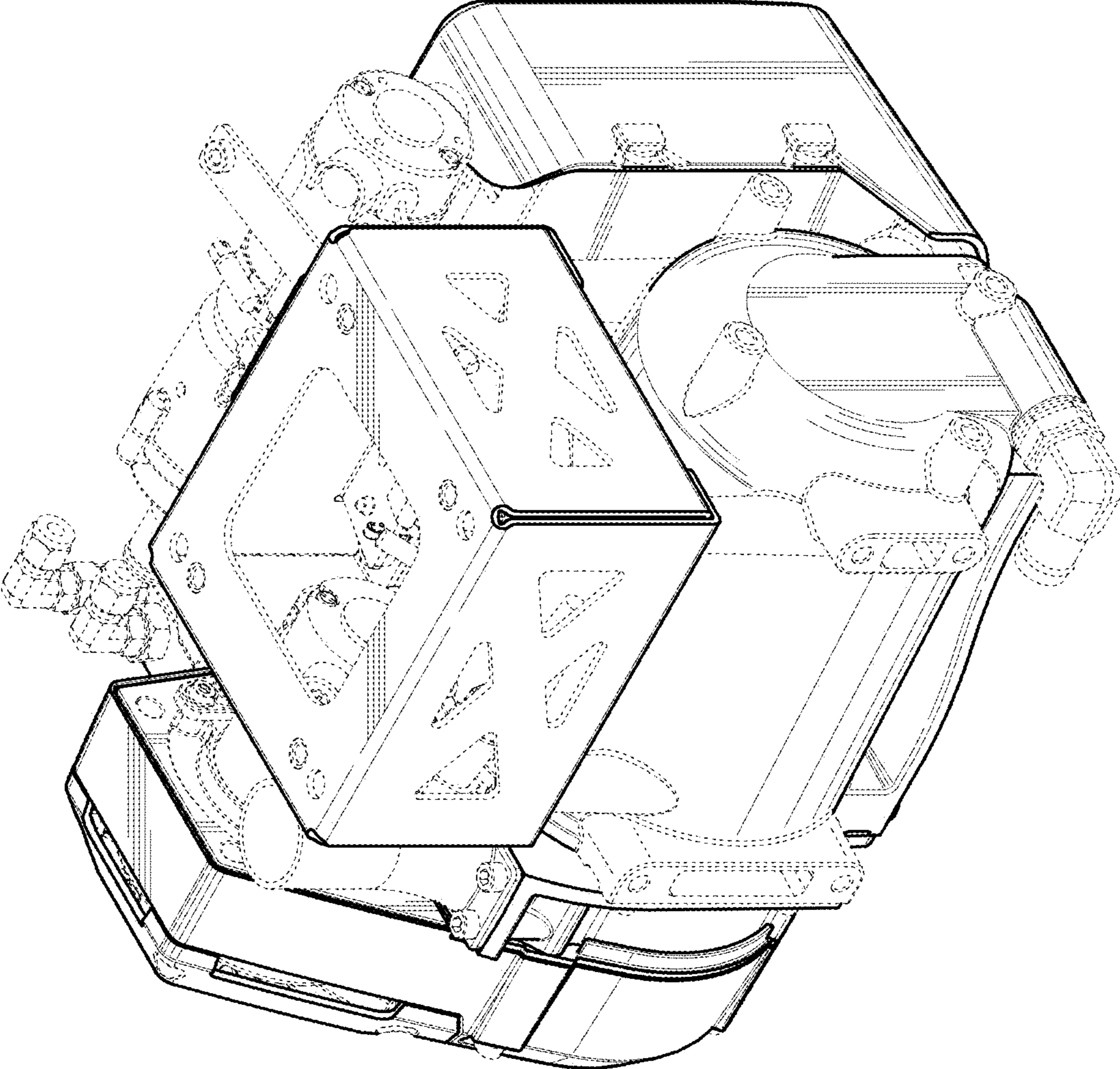


FIG. 10

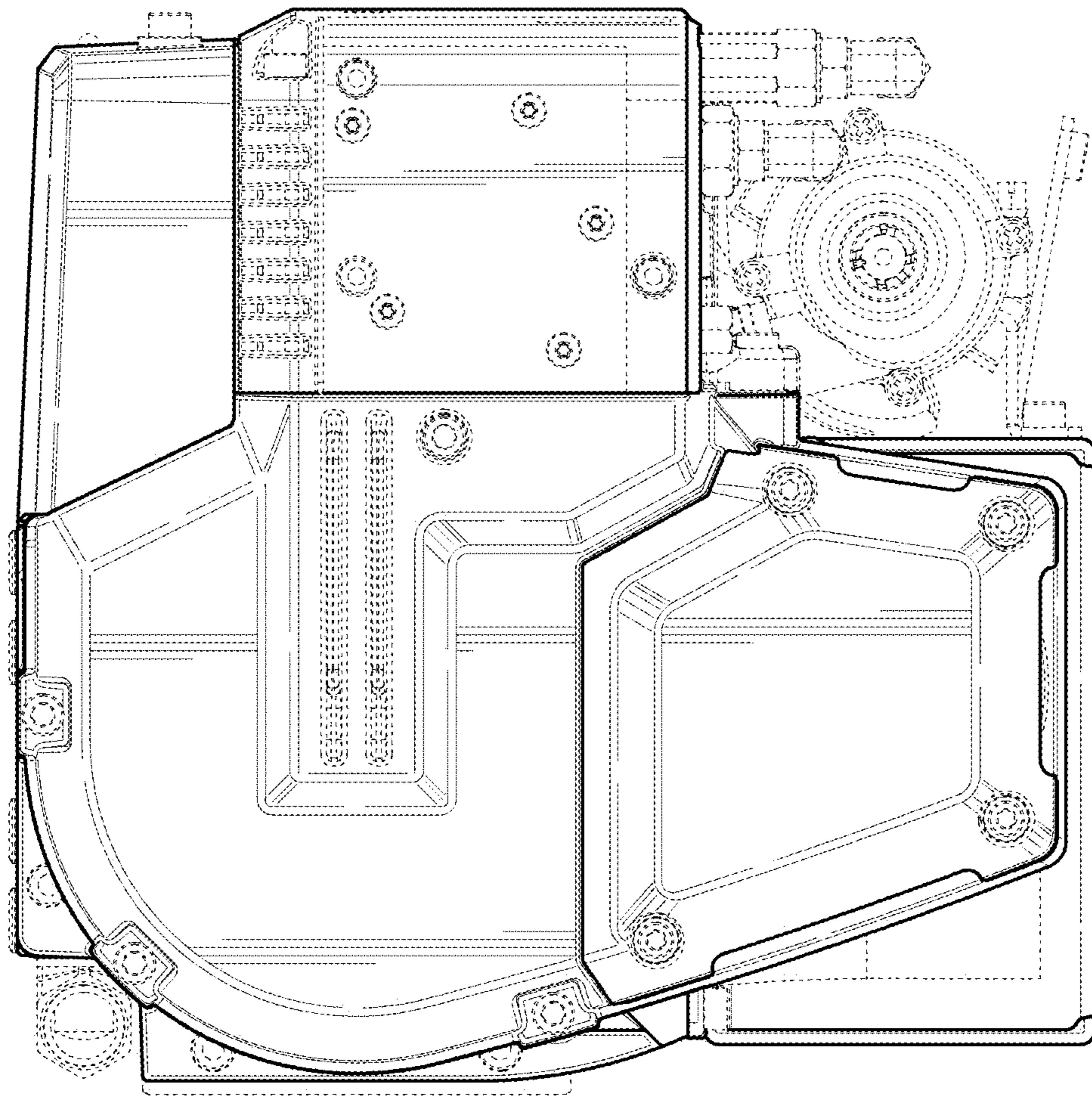


FIG. 11

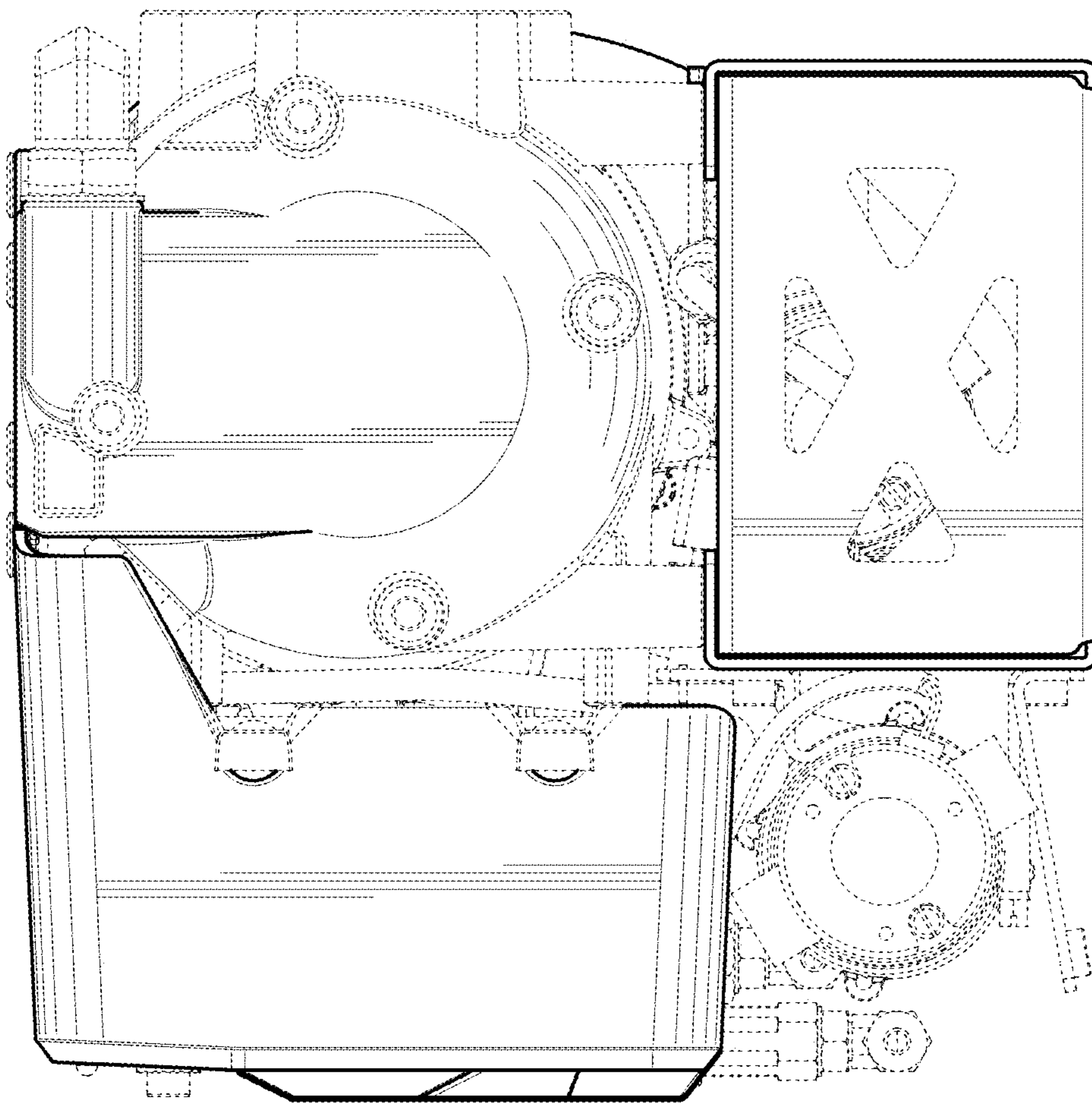


FIG. 12

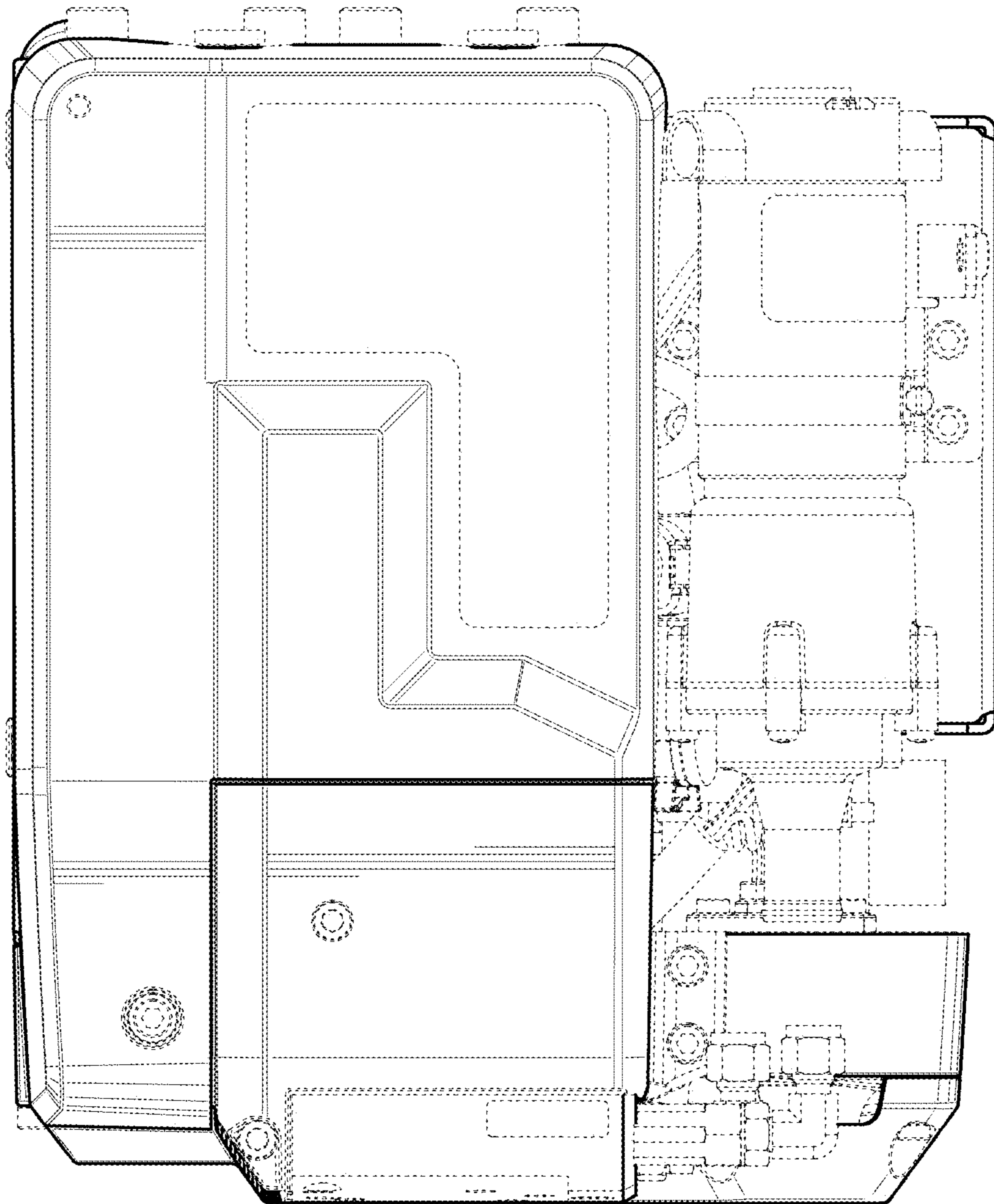


FIG. 13

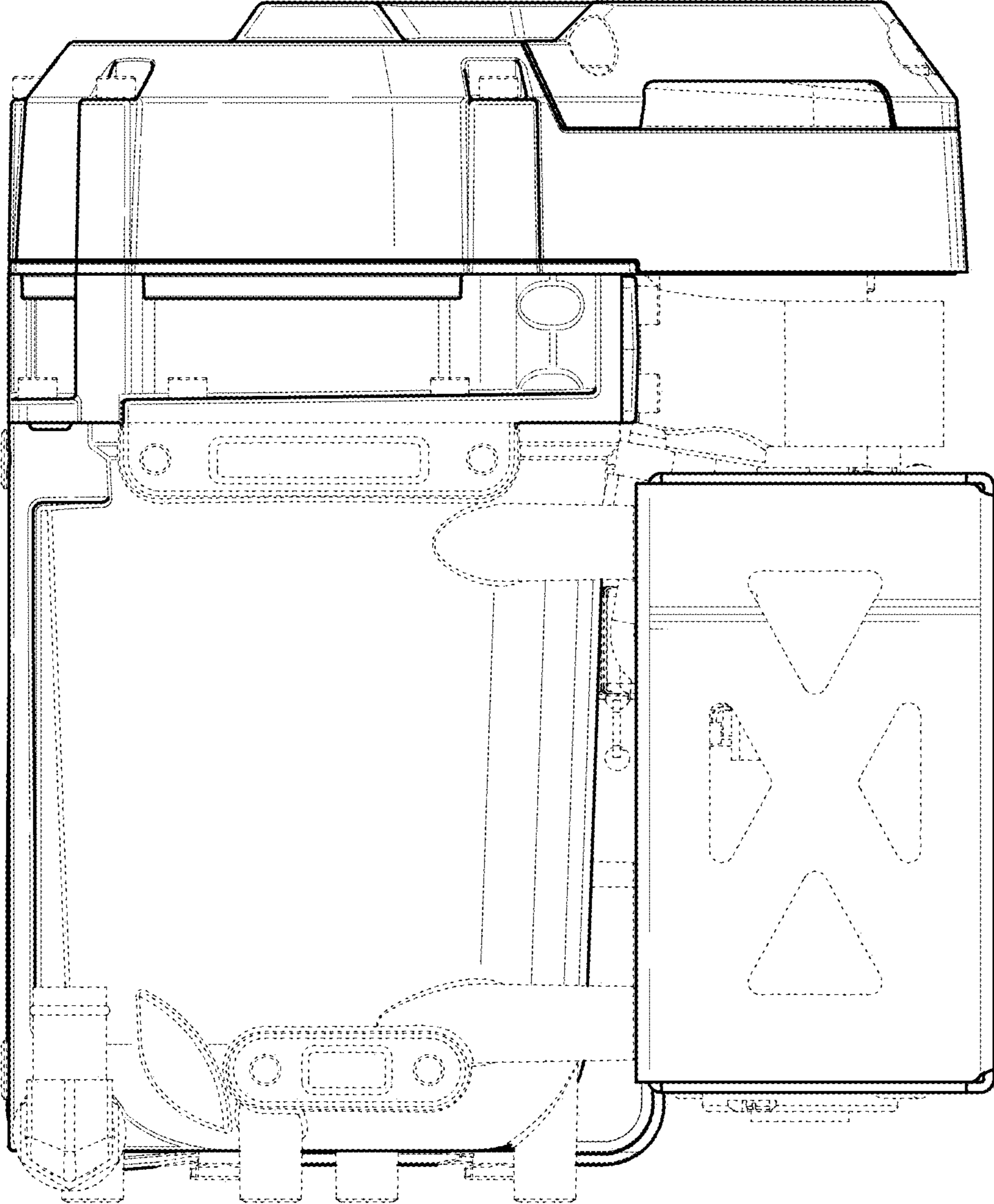


FIG. 14

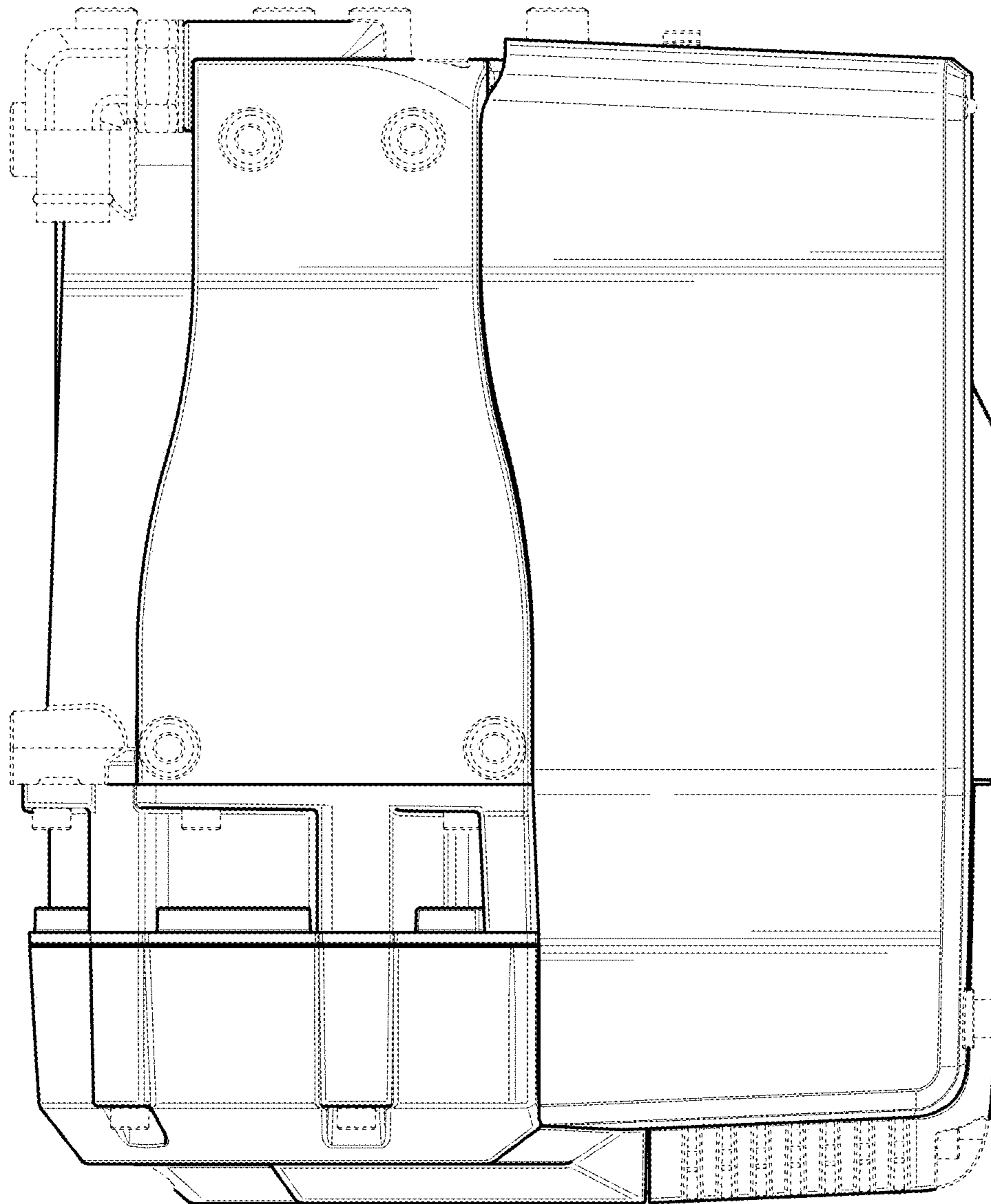


FIG. 15

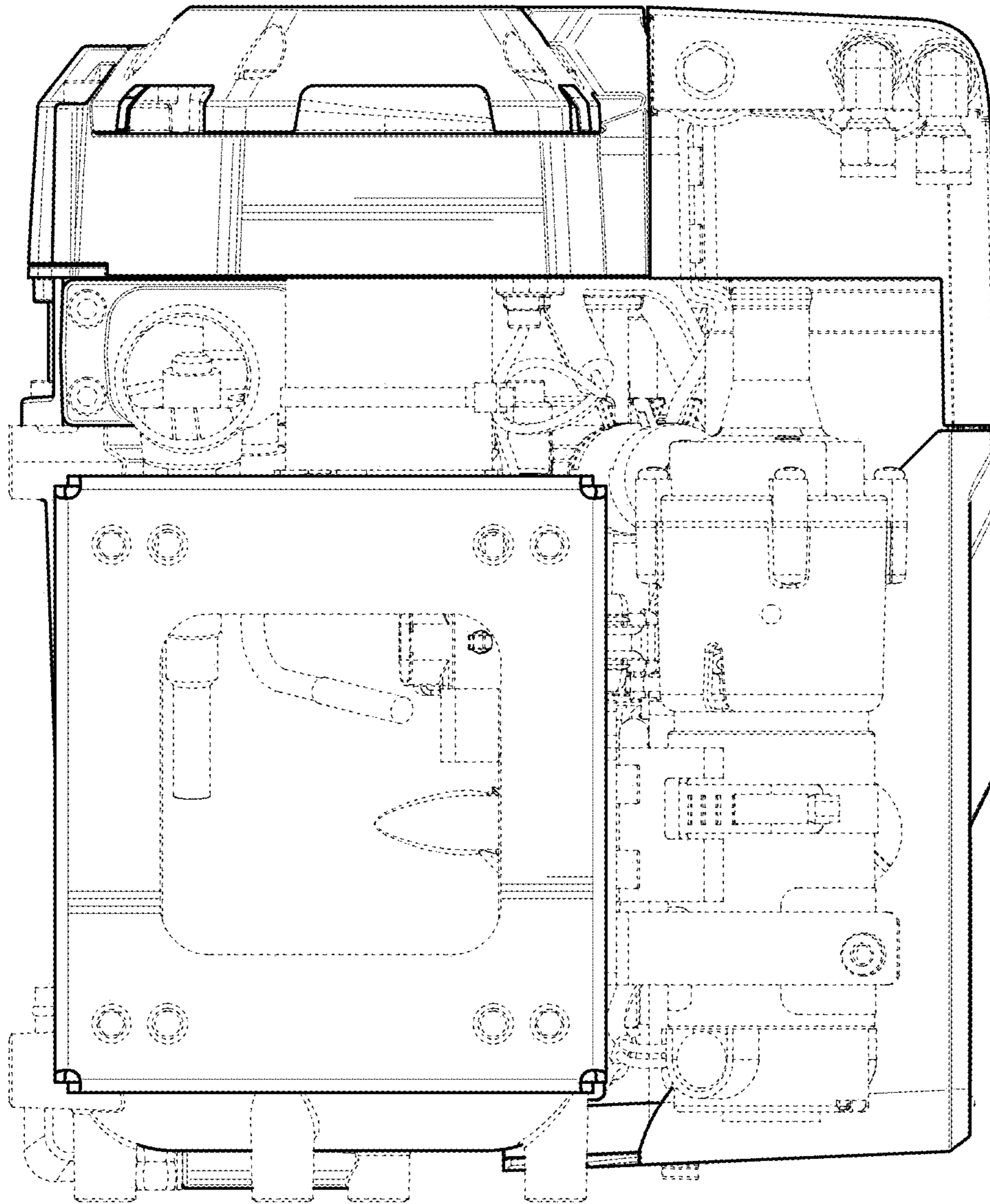


FIG. 16