



US00D884855S

(12) **United States Design Patent** (10) **Patent No.:** **US D884,855 S**
Ramakrishna et al. (45) **Date of Patent:** **** May 19, 2020**

(54) **HEATER PEDESTAL**

(71) Applicant: **Applied Materials, Inc.**, Santa Clara, CA (US)

(72) Inventors: **Mahesh Ramakrishna**, Bengaluru (IN); **Naman Apurva**, Bihar. (IN)

(73) Assignee: **APPLIED MATERIALS, INC.**, Santa Clara, CA (US)

(**) Term: **15 Years**

(21) Appl. No.: **29/711,377**

(22) Filed: **Oct. 30, 2019**

(51) **LOC (12) Cl.** **23-03**

(52) **U.S. Cl.**
USPC **D23/314**

(58) **Field of Classification Search**
USPC D15/122, 144.1, 138; D9/454; D23/233, D23/259–263, 269, 314, 322, 323, 337, D23/341, 499; D13/182
CPC C23C 16/52; C23C 16/4586; C23C 16/46; C23C 16/463; C23C 16/505; H01L 21/67103; H01L 21/67248
See application file for complete search history.

(56) **References Cited**

U.S. PATENT DOCUMENTS

6,278,089	B1	8/2001	Young et al.	
6,544,340	B2	4/2003	Yudovsky	
6,907,924	B2	6/2005	Moslehi	
D583,394	S *	12/2008	Ota	D15/138
D614,593	S *	4/2010	Lee	D13/182
7,705,275	B2	4/2010	Umotoy et al.	
D716,742	S *	11/2014	Jang	D13/182
9,673,077	B2 *	6/2017	Lindley	C23C 16/4581
D807,481	S	1/2018	Iu et al.	
D862,539	S *	10/2019	Wood	D15/138
2006/0096972	A1 *	5/2006	Nakamura	H01L 21/67103 219/444.1

(Continued)

Primary Examiner — T Chase Nelson

Assistant Examiner — Ania Aman

(74) *Attorney, Agent, or Firm* — Patterson + Sheridan, LLP

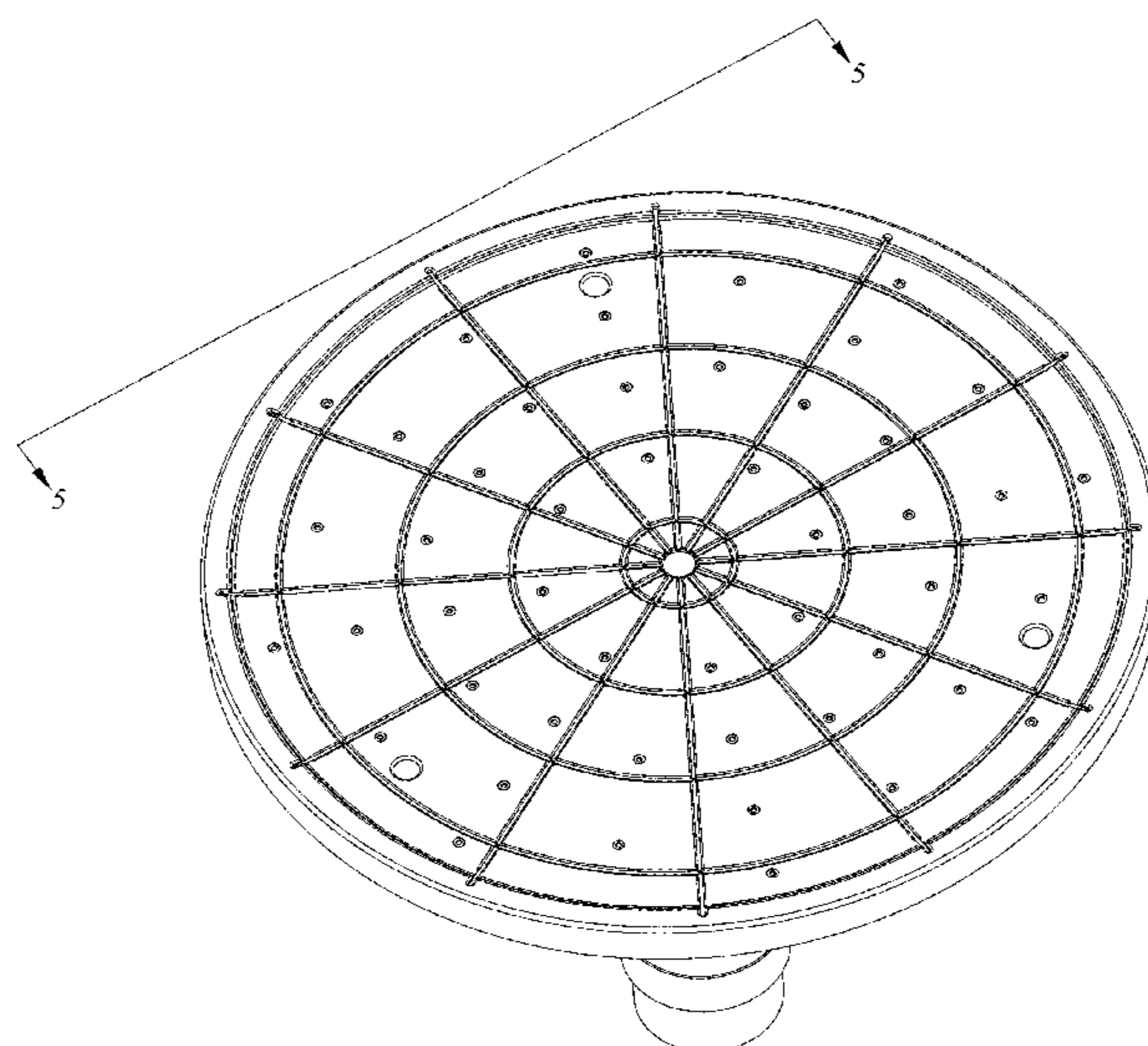
(57) **CLAIM**

The ornamental design for a heater pedestal, as shown and described.

DESCRIPTION

FIG. 1 is an isometric top view of a heater pedestal showing our new design;
 FIG. 2 is an isometric bottom view thereof;
 FIG. 3 is a bottom plan view thereof;
 FIG. 4 is a top plan view thereof;
 FIG. 5 is a side elevational view thereof along lines 5-5 of FIG. 1, the opposite side elevational view being identical;
 FIG. 6 is a side cross-sectional view thereof along lines 6-6 of FIG. 4;
 FIG. 7 is a detail view thereof shown in FIG. 4;
 FIG. 8 is a partial sectional view thereof along lines 8-8 of FIG. 4;
 FIG. 9 is a side cross-sectional view thereof along lines 9-9 of FIG. 4;
 FIG. 10 is a detail view of the sectional view thereof shown in FIG. 6;
 FIG. 11 is a detail view of the sectional view thereof shown in FIG. 6;
 FIG. 12 is a detail view of the sectional view thereof shown in FIG. 6;
 FIG. 13 is a detail view of the sectional view thereof shown in FIG. 6;
 FIG. 14 is a detail view of the sectional view thereof shown in FIG. 9;
 FIG. 15 is a partial sectional view thereof along lines 15-15 of FIG. 4; and,
 FIG. 16 is a detail view of the sectional view thereof shown in FIG. 9.

1 Claim, 11 Drawing Sheets



(56)

References Cited

U.S. PATENT DOCUMENTS

2007/0151517 A1* 7/2007 Baik C23C 14/50
118/725
2012/0164829 A1* 6/2012 Rajagopalan H01L 21/02074
438/675
2014/0014642 A1* 1/2014 Elliot H01L 21/02002
219/444.1
2014/0251214 A1* 9/2014 Cuvalci H01L 21/67103
118/712
2015/0108203 A1* 4/2015 Elliot H01L 21/68757
228/121
2017/0204514 A1* 7/2017 Kim C23C 16/22
2018/0251893 A1* 9/2018 Hohn C23C 16/4585
2019/0276366 A1* 9/2019 Sun C04B 35/645
2020/0035520 A1* 1/2020 Martinez H01L 21/67103
2020/0098651 A1* 3/2020 Sakiyama C23C 16/52

* cited by examiner

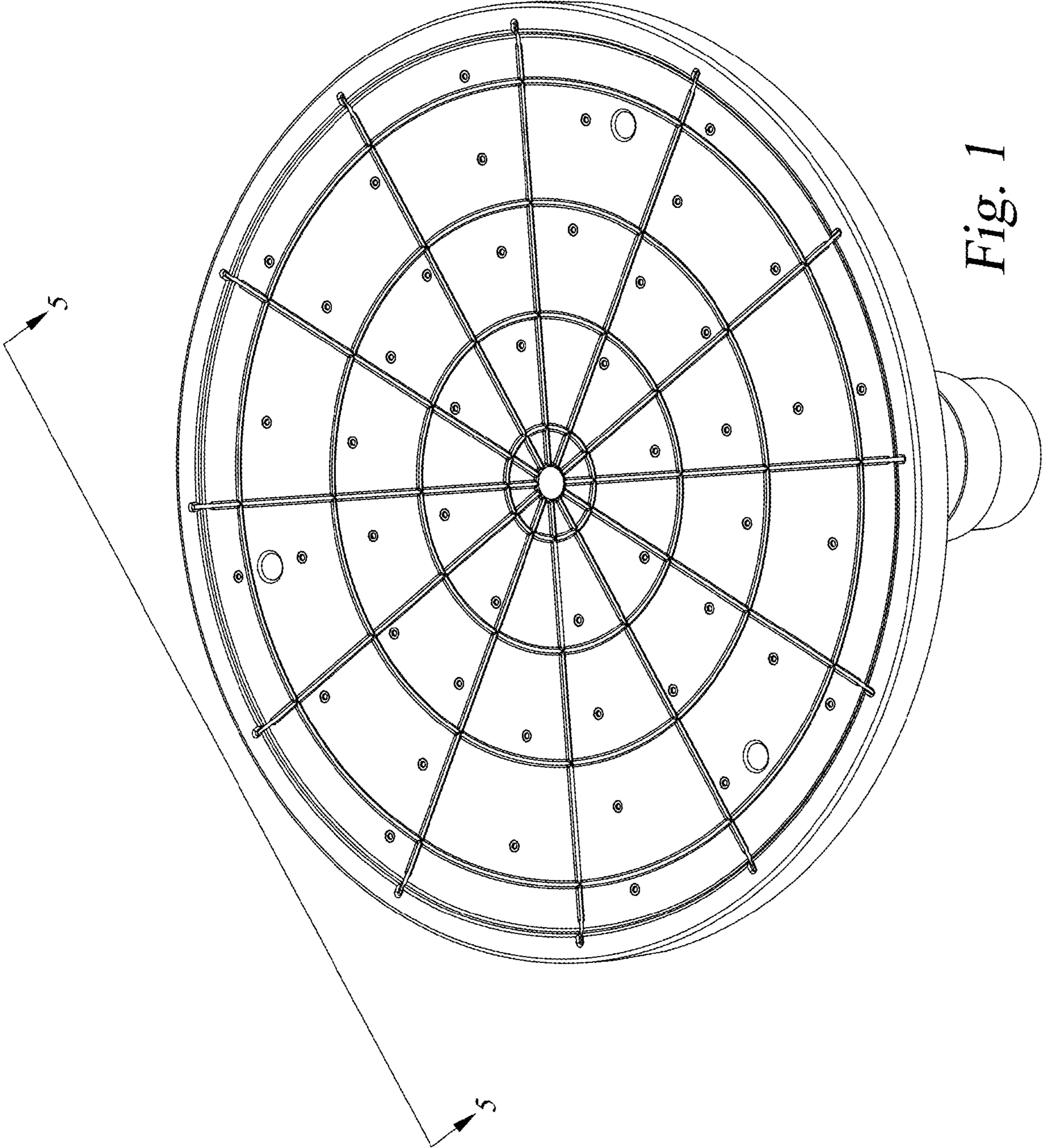


Fig. 1

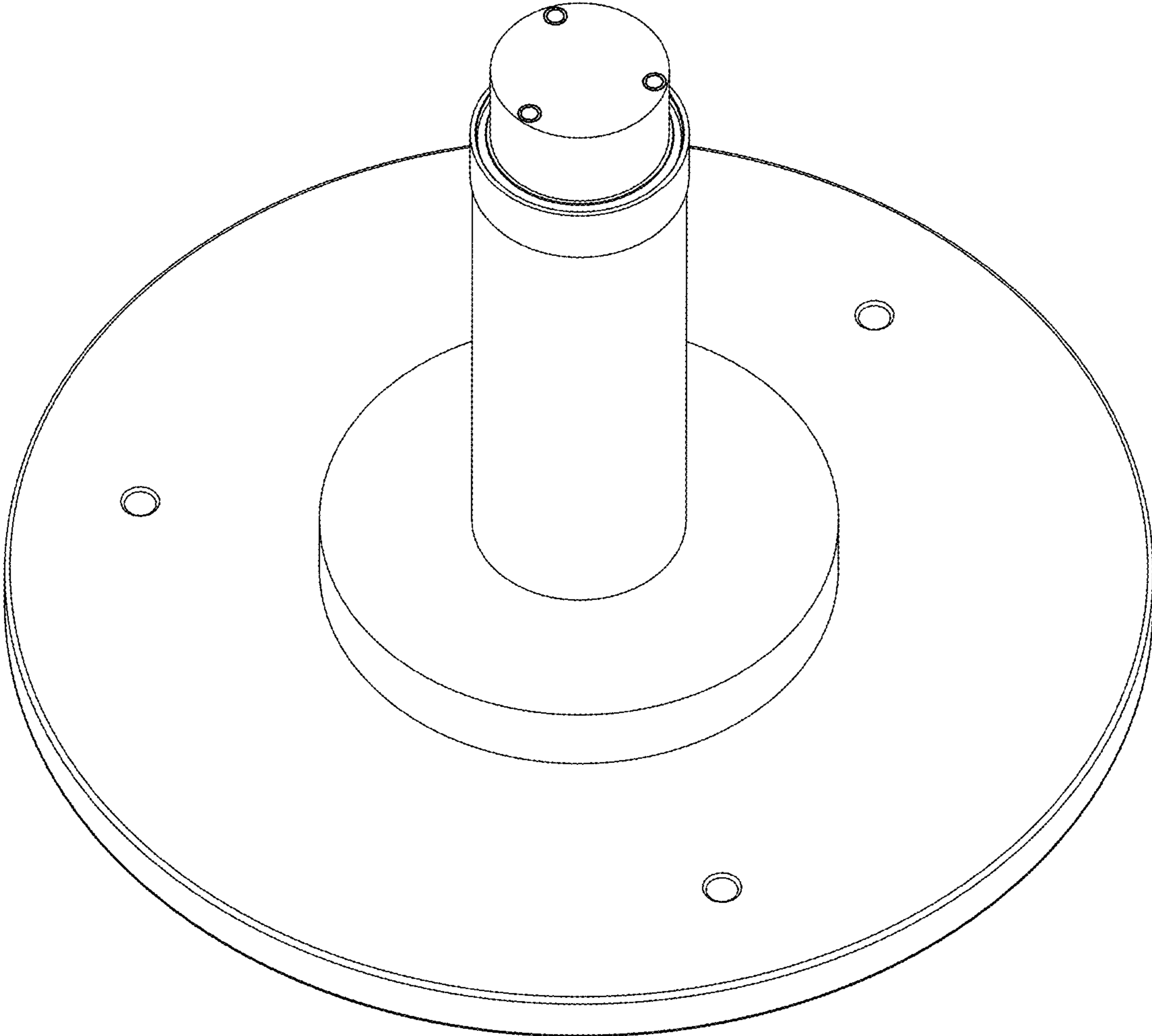


Fig. 2

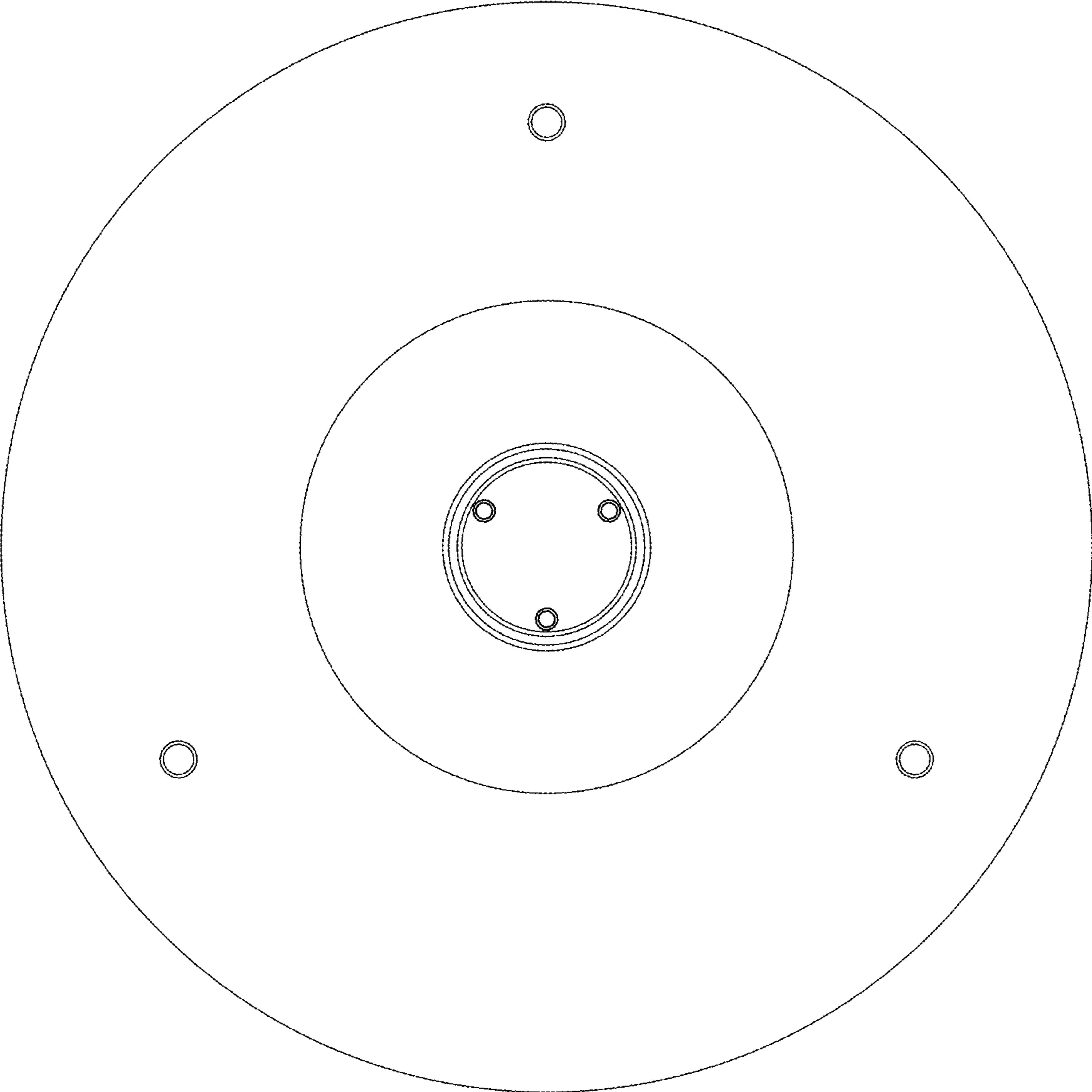


Fig. 3

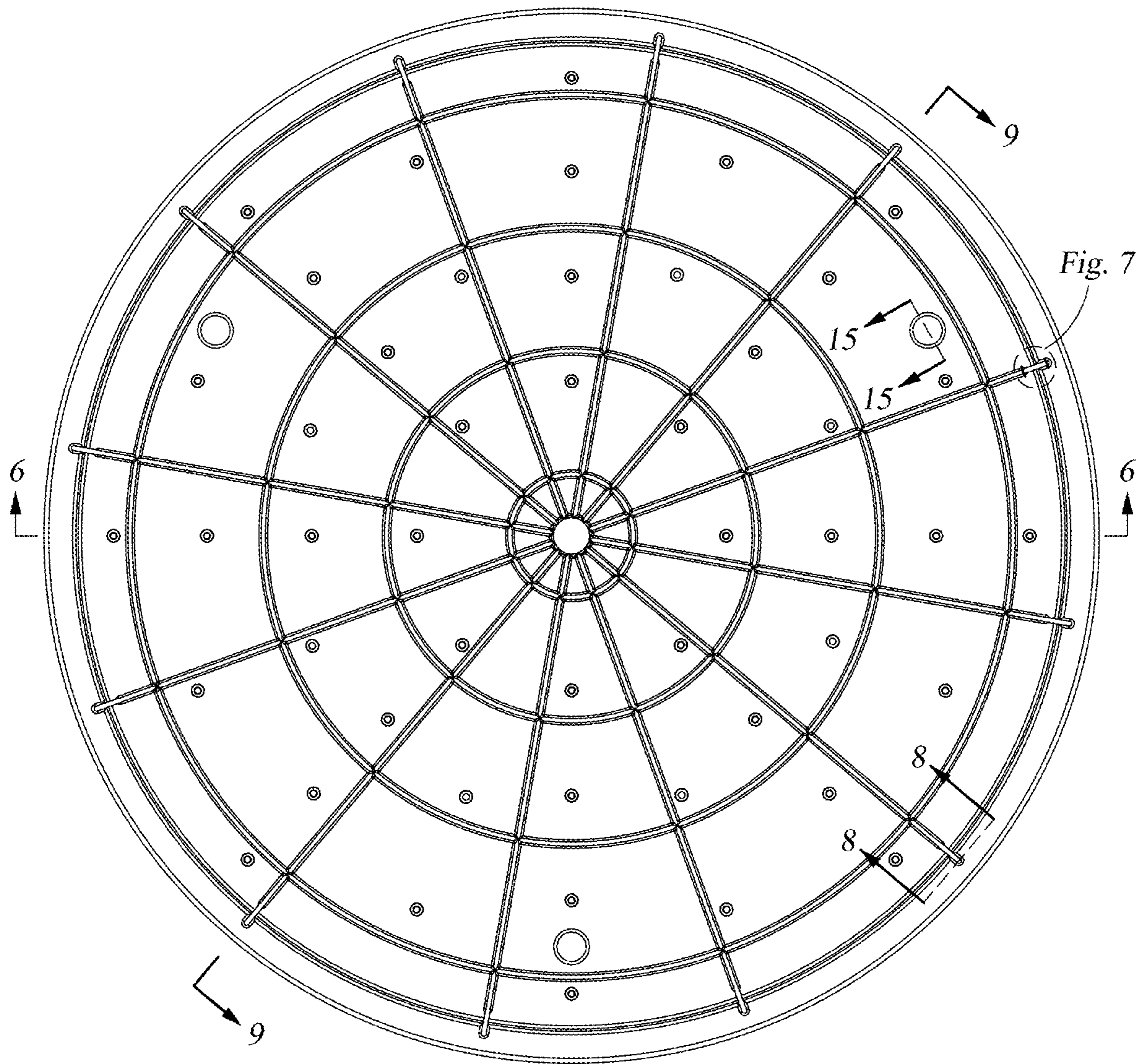


Fig. 4

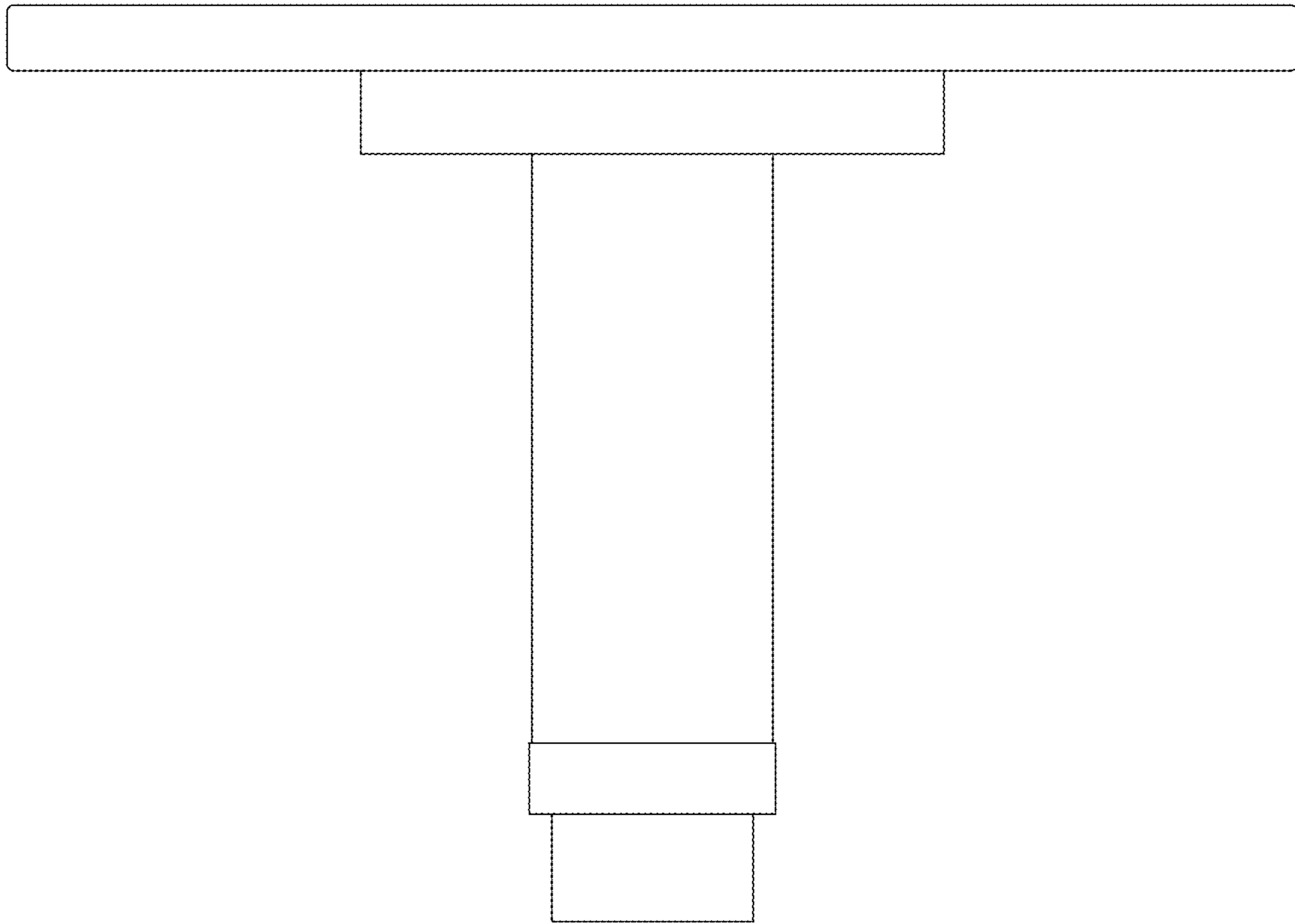


Fig. 5

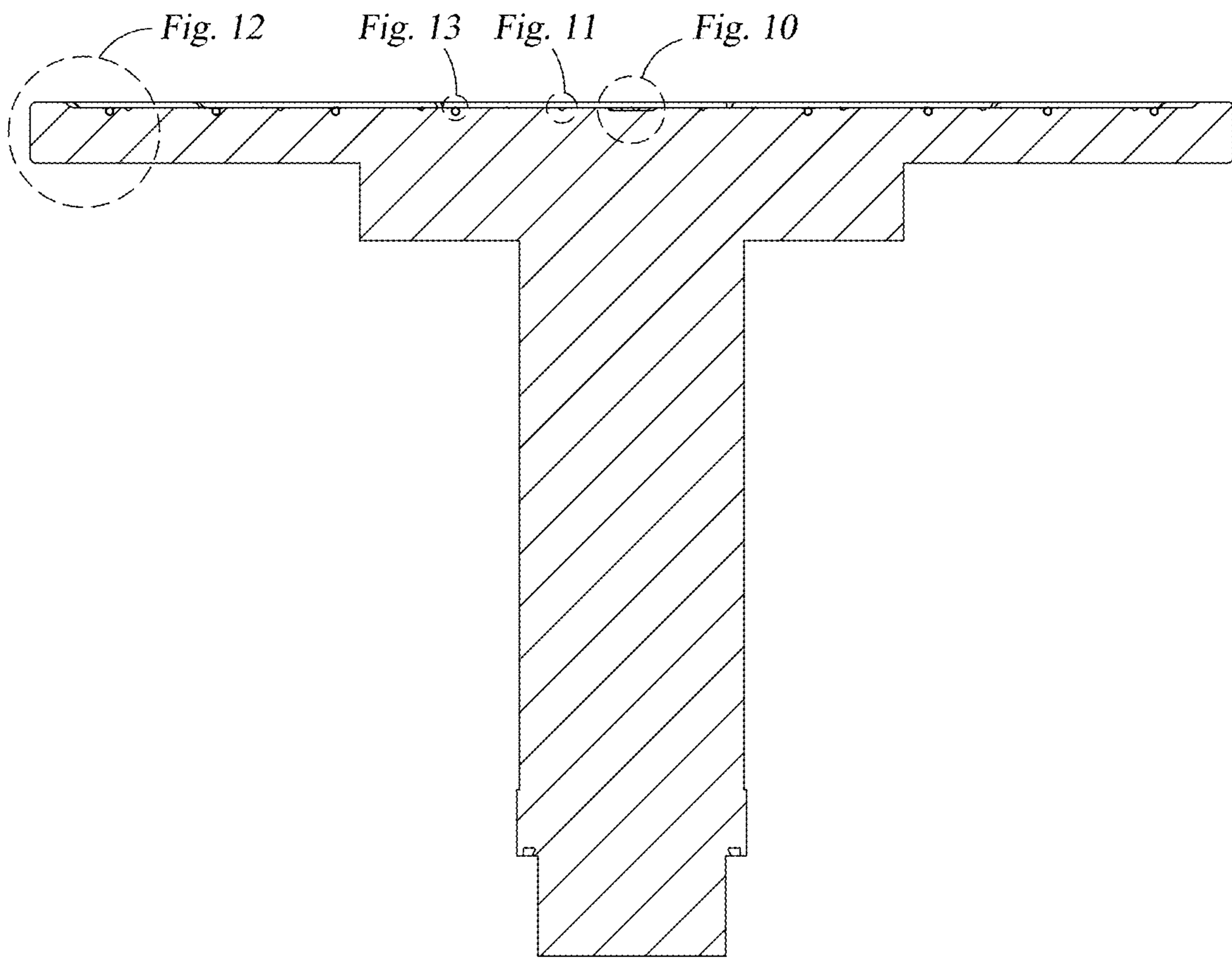


Fig. 6

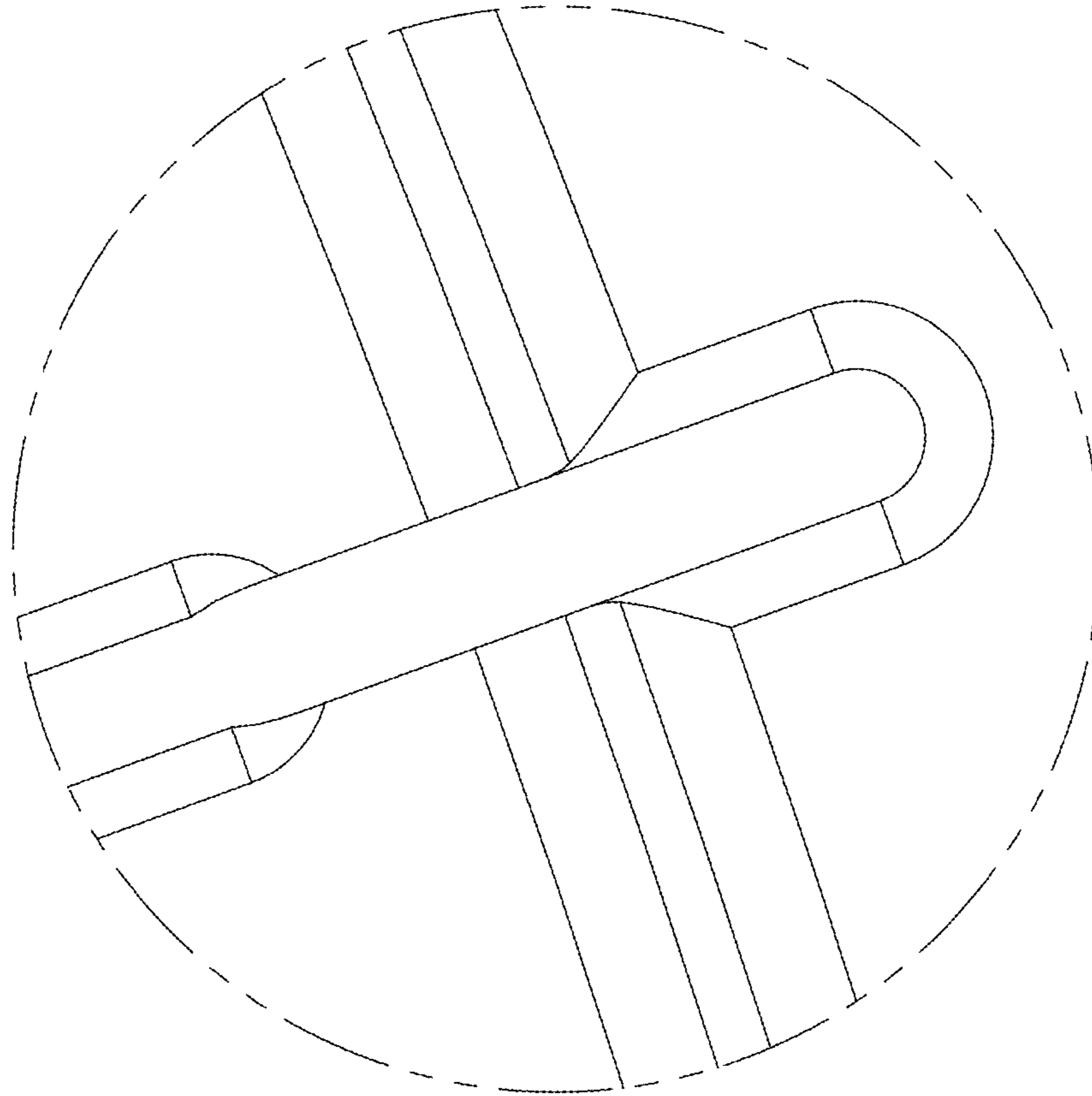


Fig. 7

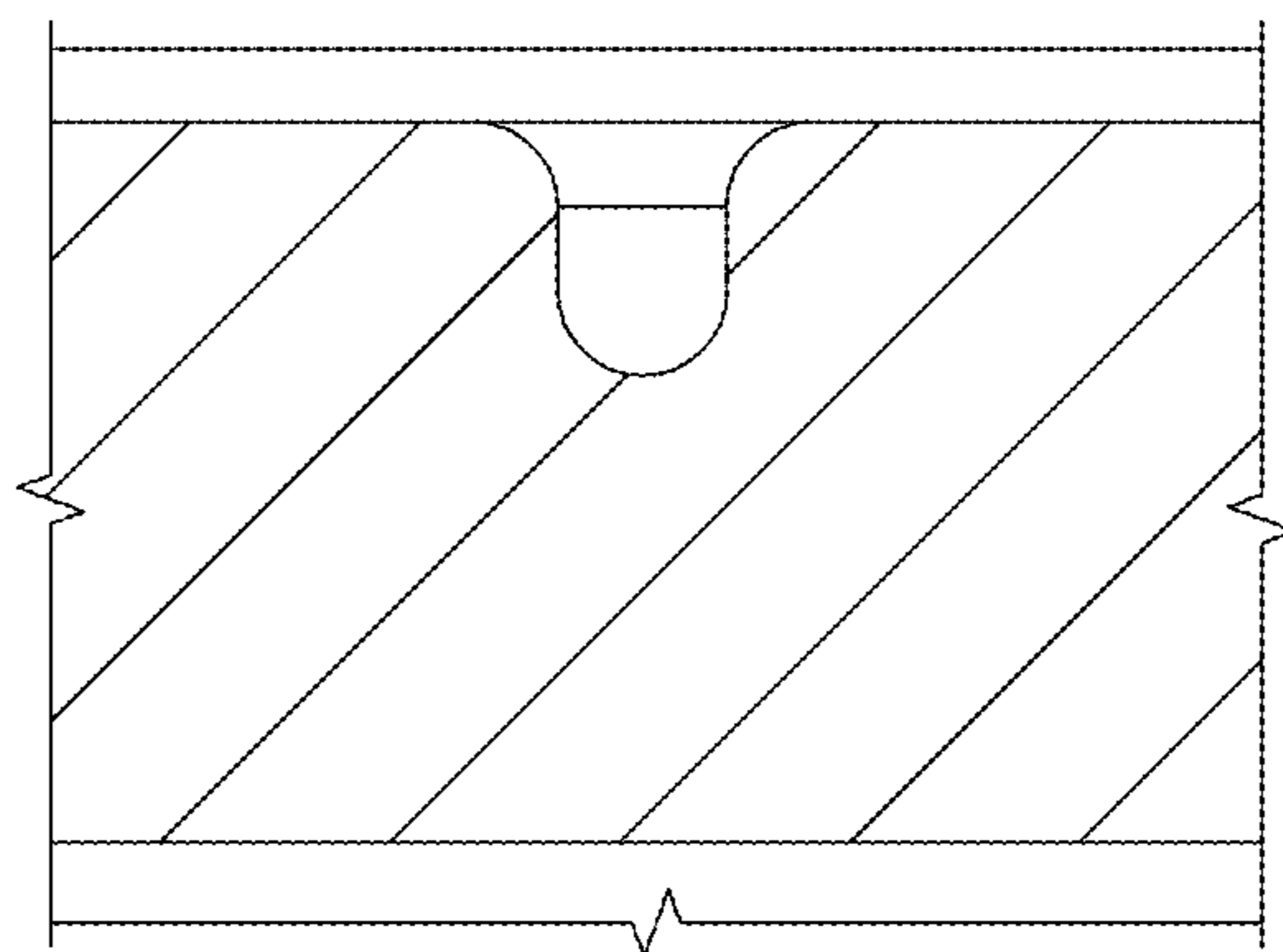


Fig. 8

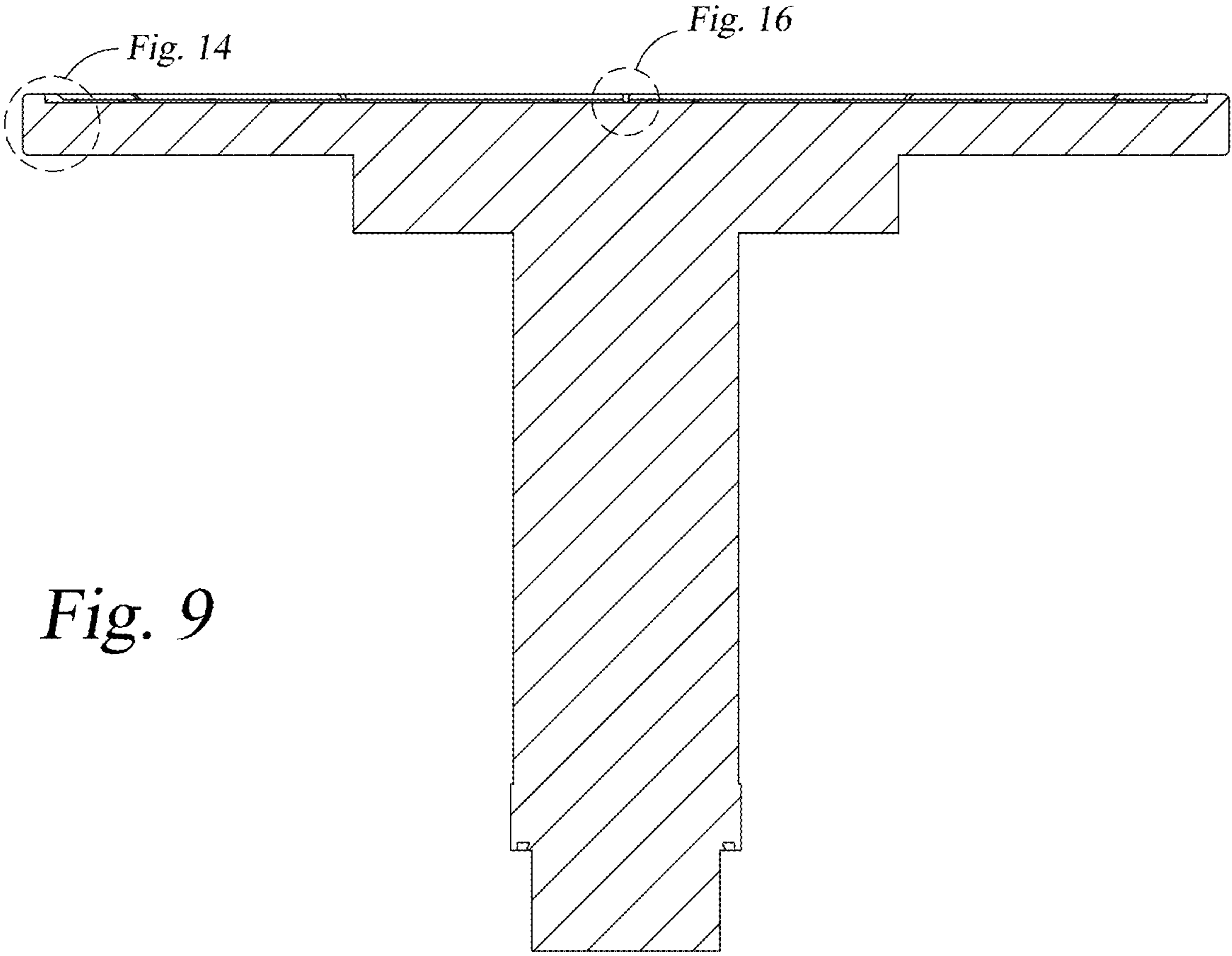


Fig. 9

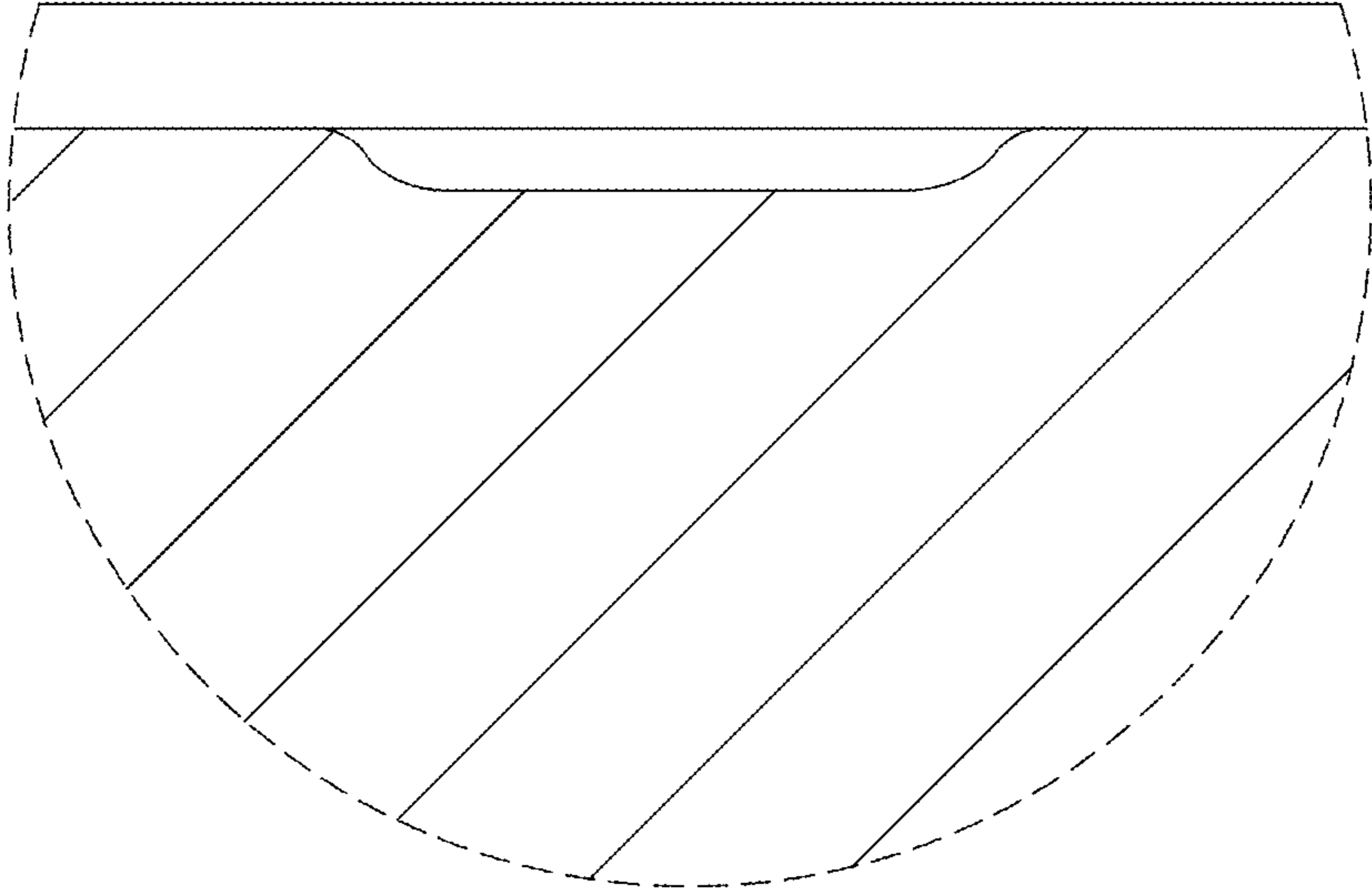


Fig. 10

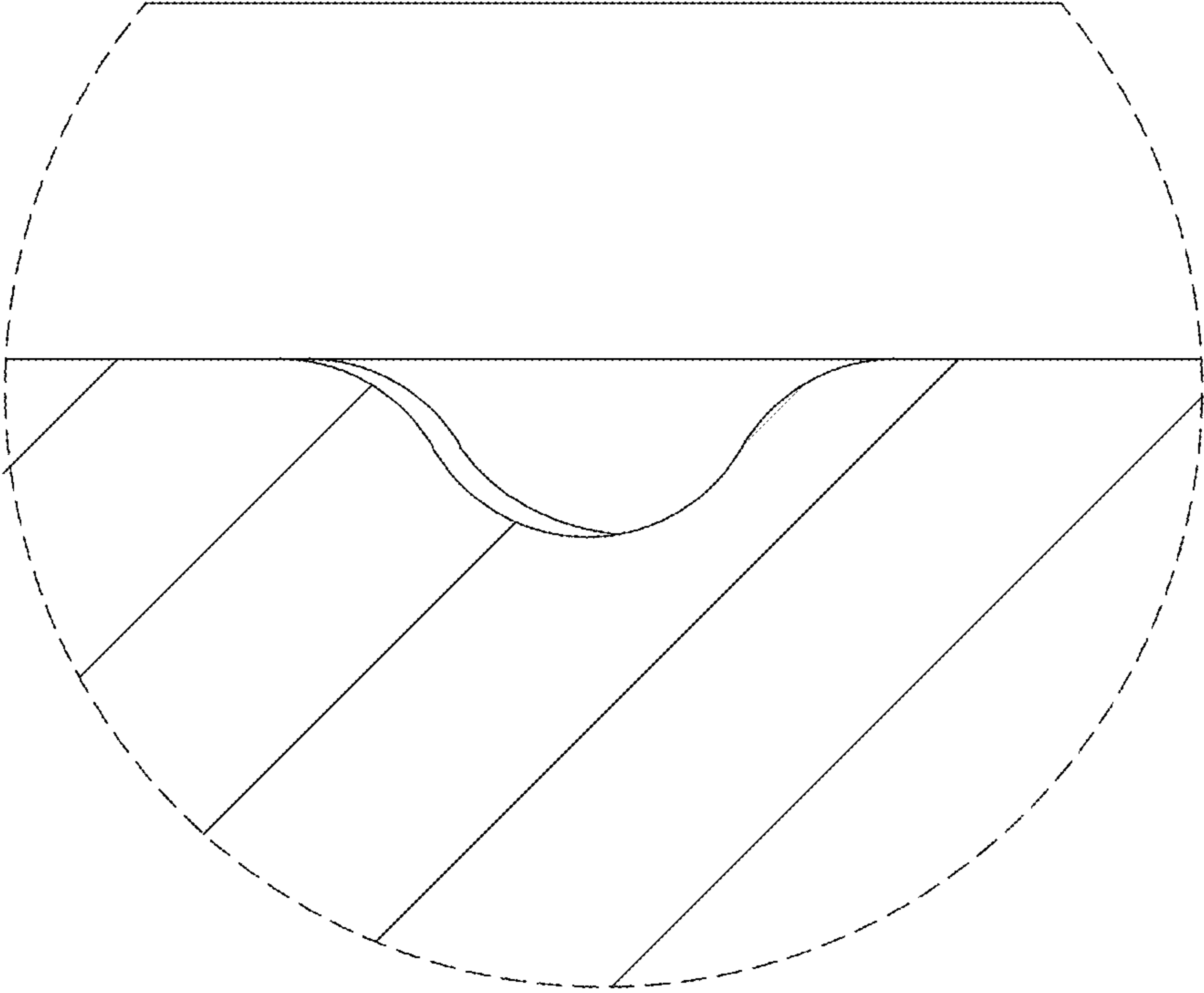


Fig. 11

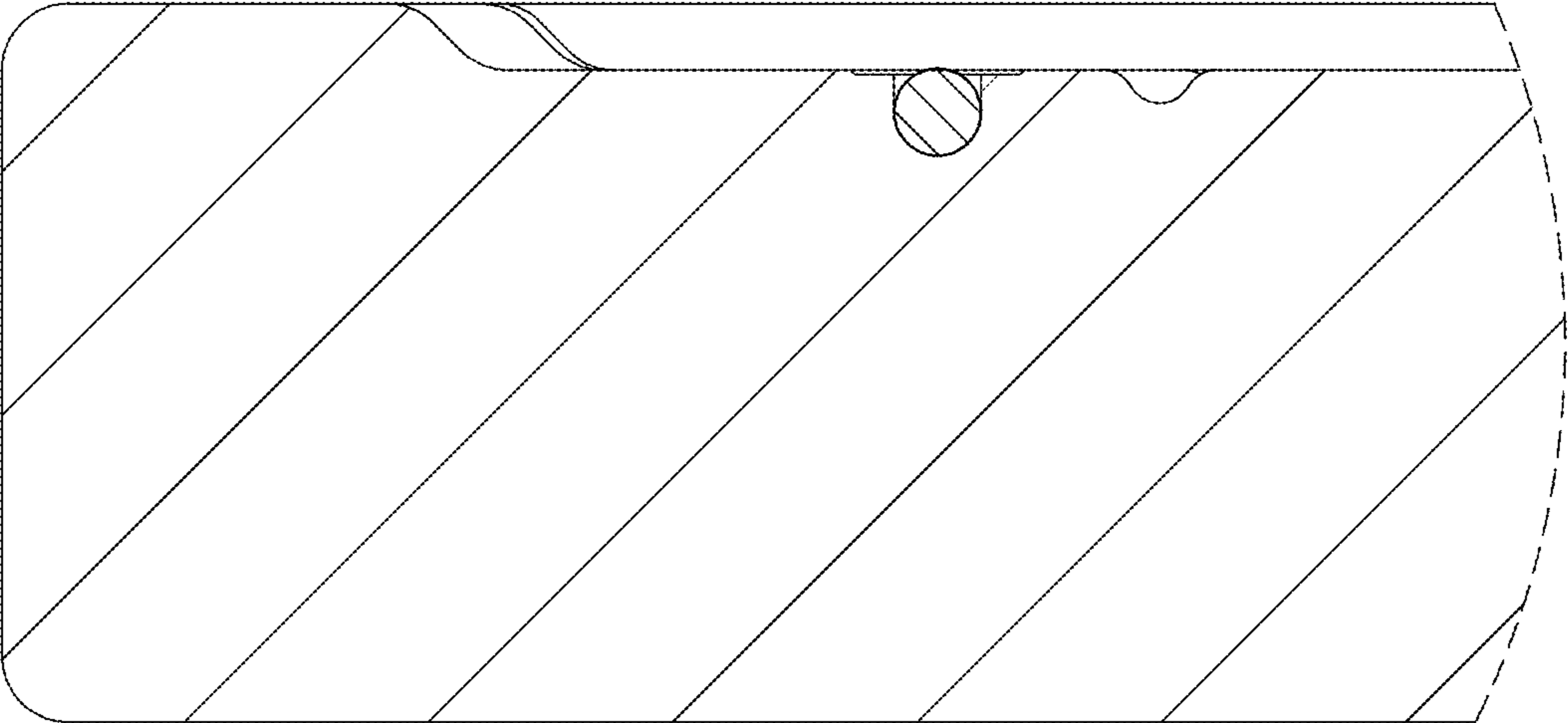


Fig. 12

Fig. 13

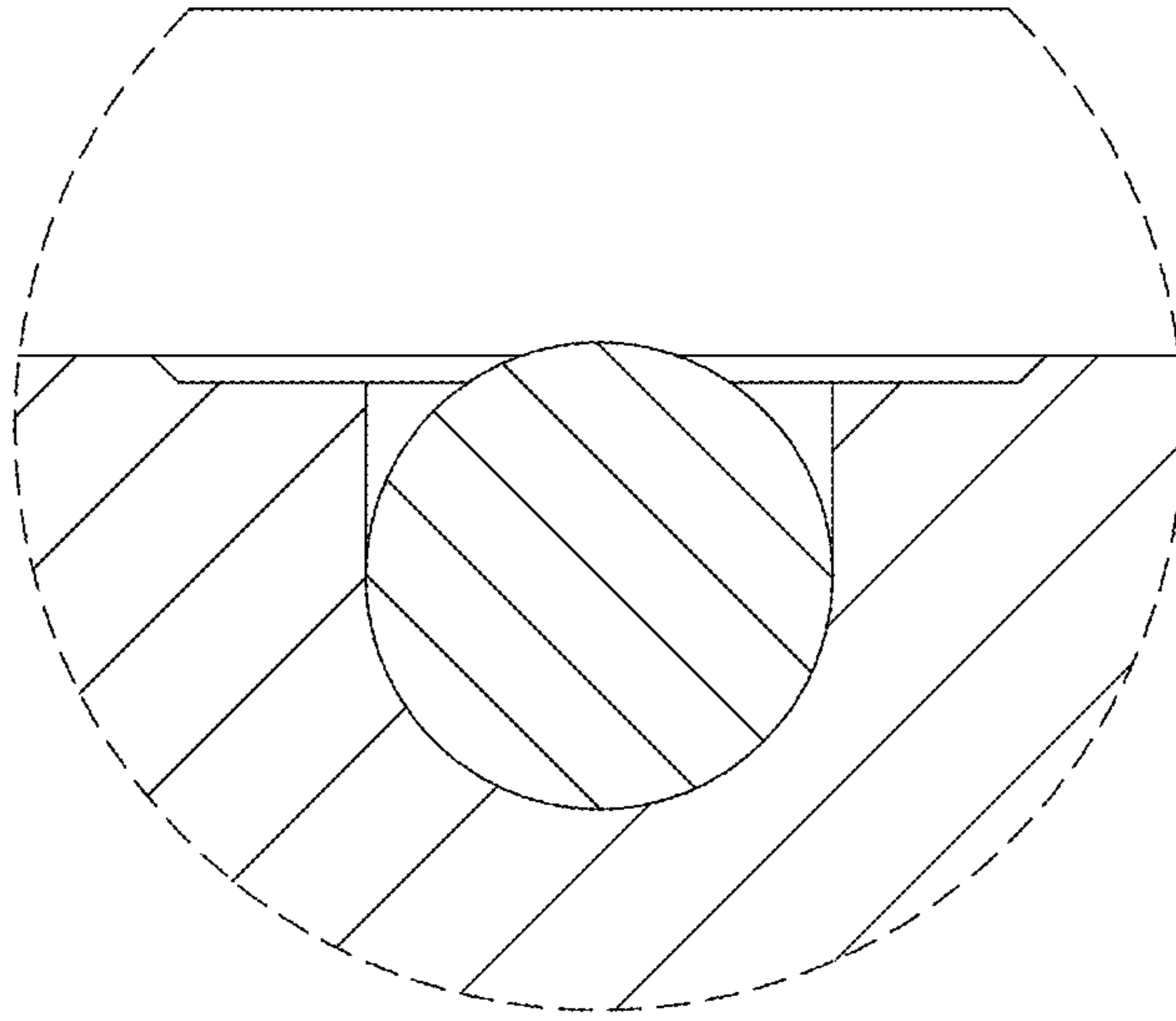


Fig. 14

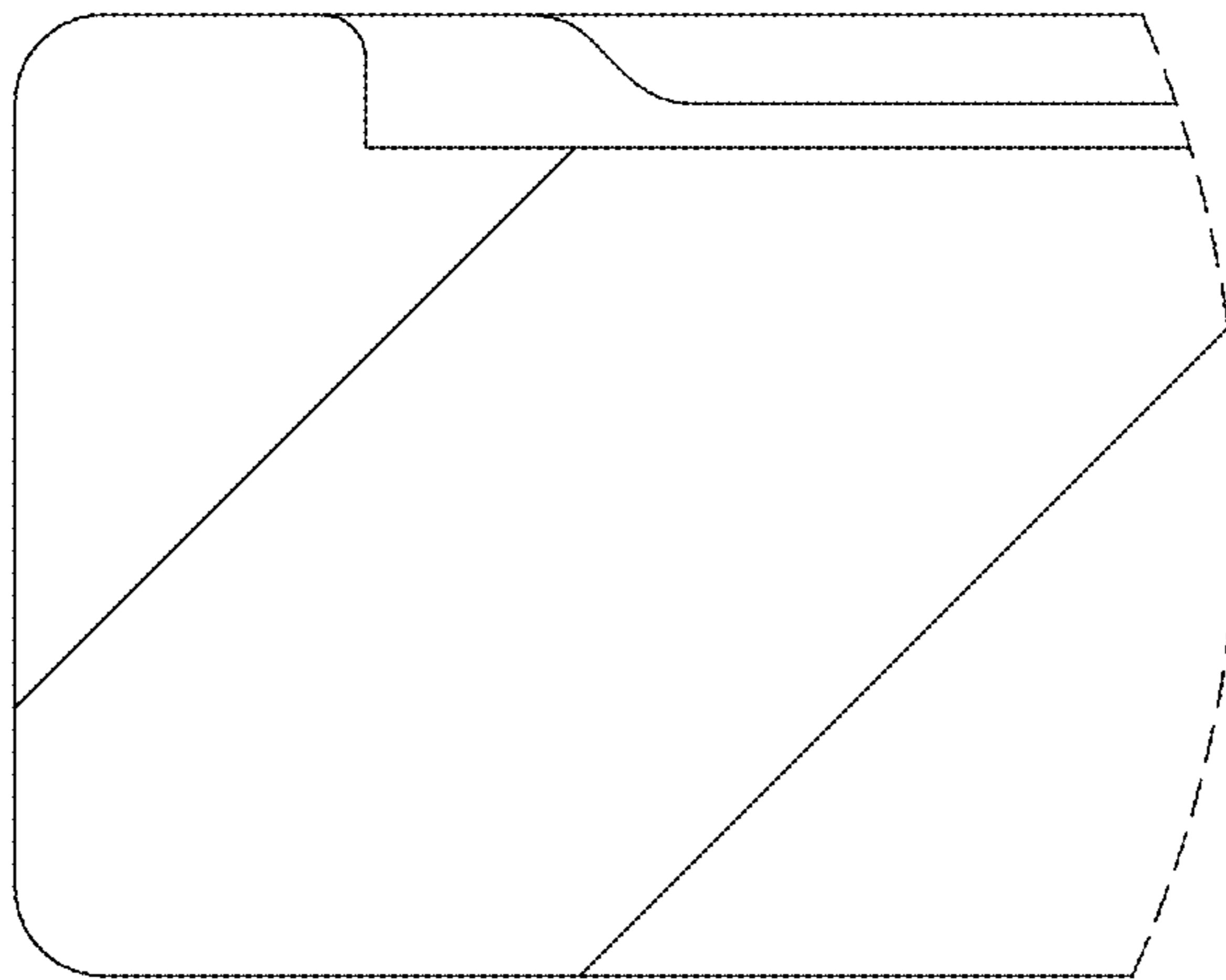
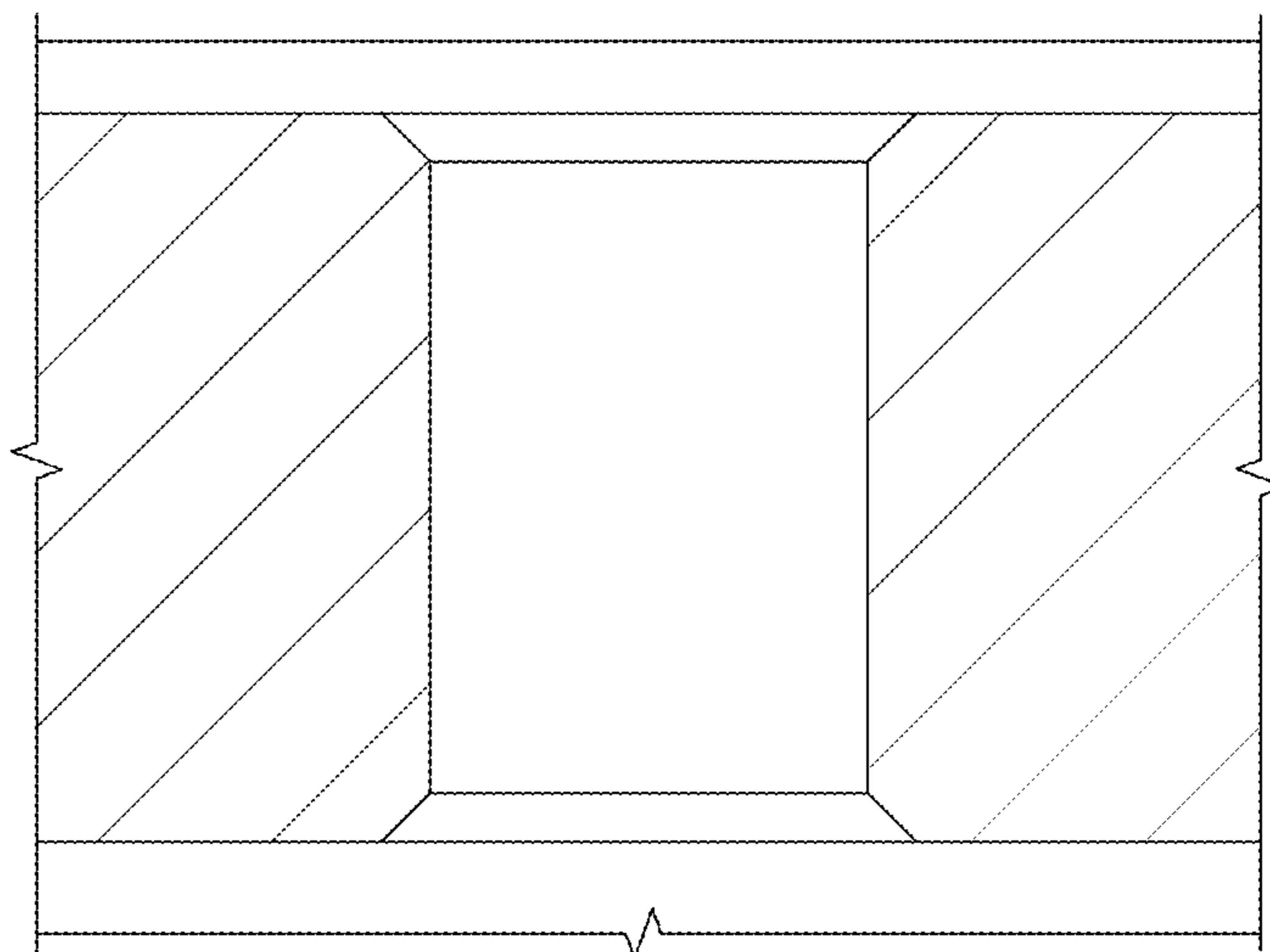


Fig. 15



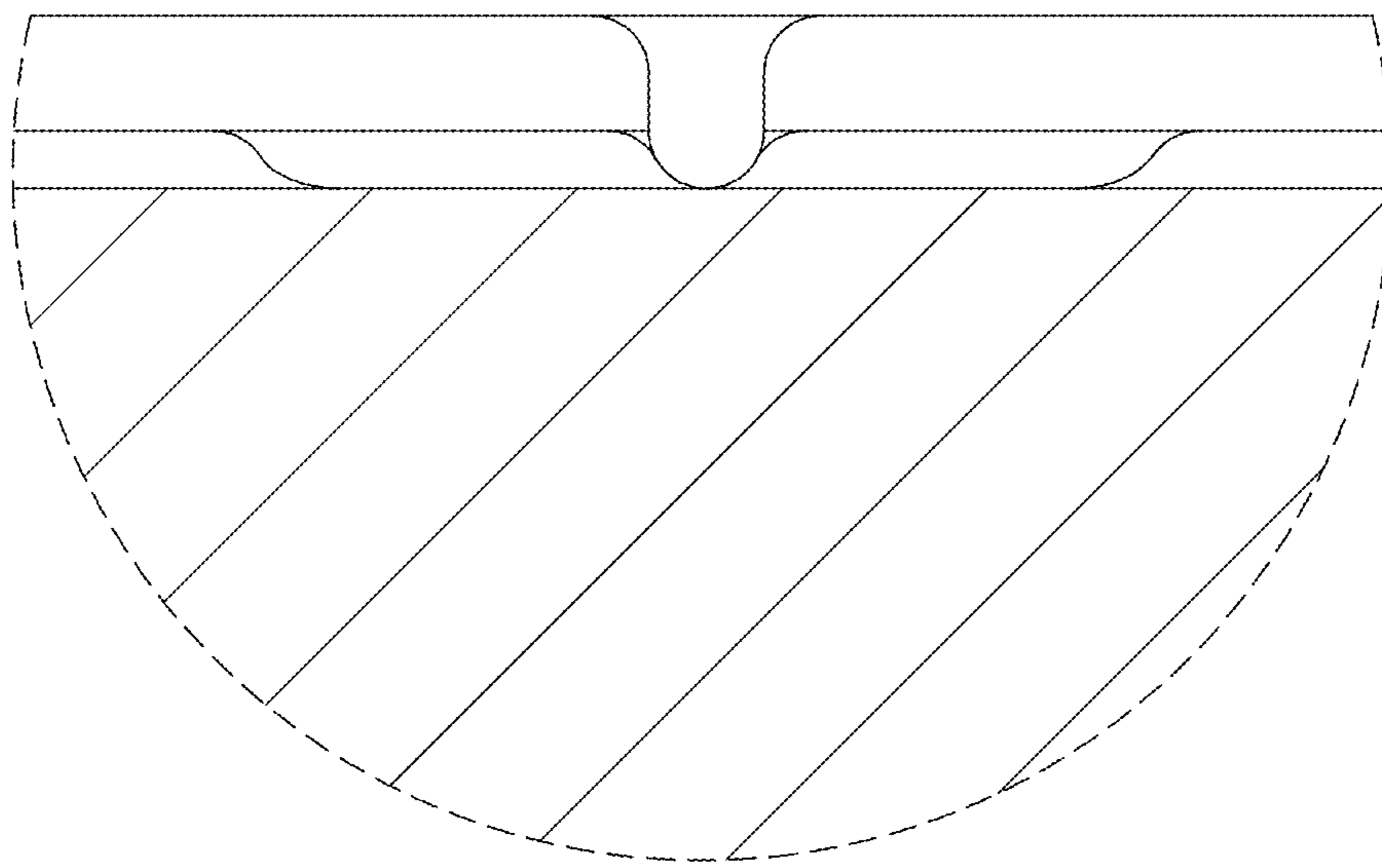


Fig. 16