



US00D884853S

(12) **United States Design Patent** (10) **Patent No.:** **US D884,853 S**
Otsuka et al. (45) **Date of Patent:** **** May 19, 2020**

(54) **WATER CLOSET**

(71) Applicant: **TOTO, Ltd.**, Kitakyushu-shi, Fukuoka (JP)

(72) Inventors: **Kazuki Otsuka**, Kitakyushu (JP);
Minoru Tani, Kitakyushu (JP);
Masafumi Ishikawa, Kitakyushu (JP)

(73) Assignee: **TOTO, Ltd.**, Kitakyushu-shi, Fukuoka (JP)

(**) Term: **15 Years**

(21) Appl. No.: **29/716,111**

(22) Filed: **Dec. 6, 2019**

Related U.S. Application Data

(62) Division of application No. 29/683,997, filed on Mar. 18, 2019.

(30) **Foreign Application Priority Data**

Dec. 20, 2018 (JP) 2018-027828
Dec. 20, 2018 (JP) 2018-027830

(51) **LOC (12) Cl.** **23-02**

(52) **U.S. Cl.**
USPC **D23/309**

(58) **Field of Classification Search**

USPC D23/295, 301, 309, 313
CPC .. E03D 1/00; E03D 1/01; E03D 1/012; E03D 1/04; E03D 1/06; E03D 1/08; E03D 1/28; E03D 1/13; E03D 2201/30; E03D 11/08; E03D 11/18; E03D 13/00; D03D 5/10; A47K 11/00

See application file for complete search history.

(56) **References Cited**

U.S. PATENT DOCUMENTS

5,515,556 A 5/1996 Johnson
7,020,908 B2 4/2006 Kuru et al.
D658,278 S 4/2012 Wang et al.
9,732,507 B2 8/2017 Bucher et al.

OTHER PUBLICATIONS

U.S. Appl. No. 29/683,997, filed Mar. 18, 2019.

Primary Examiner — Robert A Delehanty

(74) *Attorney, Agent, or Firm* — Banner & Witcoff, Ltd.

(57) **CLAIM**

The ornamental design for a water closet, as shown and described.

DESCRIPTION

FIG. 1 is a top, right, front, perspective view of a water closet showing our new design;

FIG. 2 is a top, right, rear, perspective view thereof;

FIG. 3 is a top, left, rear, perspective view thereof;

FIG. 4 is a front view thereof;

FIG. 5 is a rear view thereof;

FIG. 6 is a left side view thereof;

FIG. 7 is a right side view thereof;

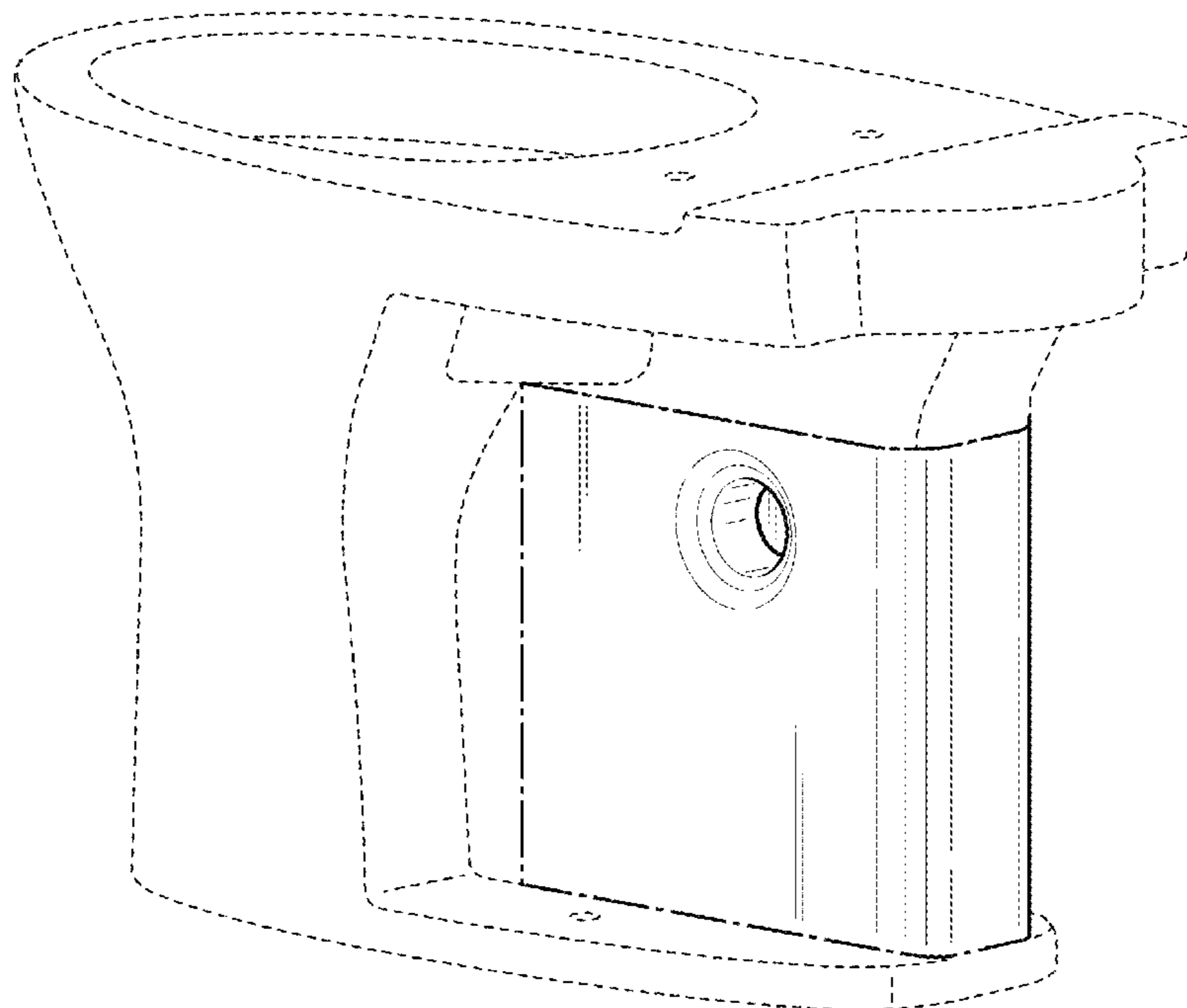
FIG. 8 is a top view thereof; and,

FIG. 9 is a bottom view thereof.

The broken lines shown in the figures are included for the purpose of illustrating portions of the water closet that form no part of the claimed design.

The dash-dot-dash broken lines shown in the figures represent an unclaimed boundary between claimed and unclaimed subject matter.

1 Claim, 7 Drawing Sheets



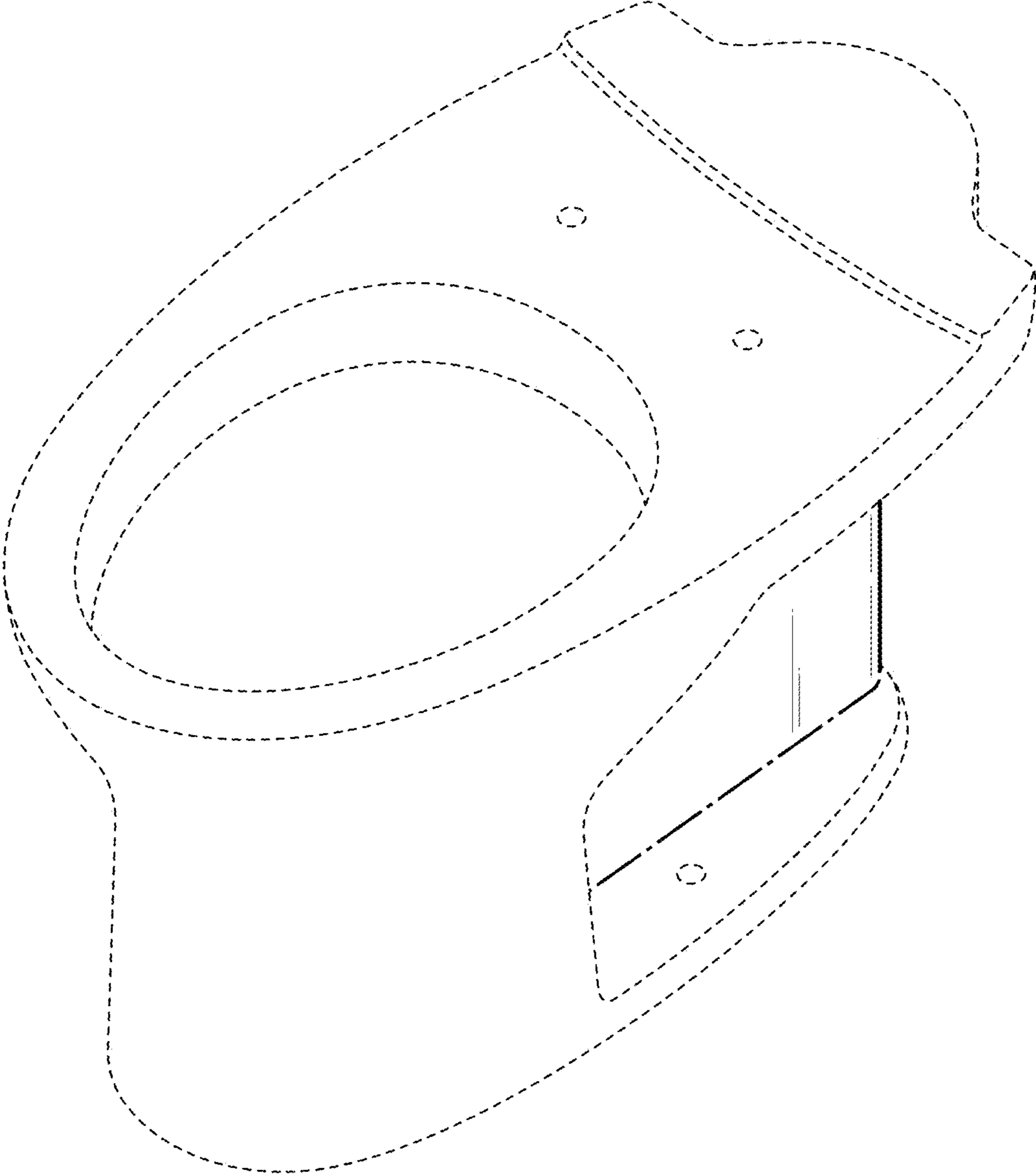


FIG. 1

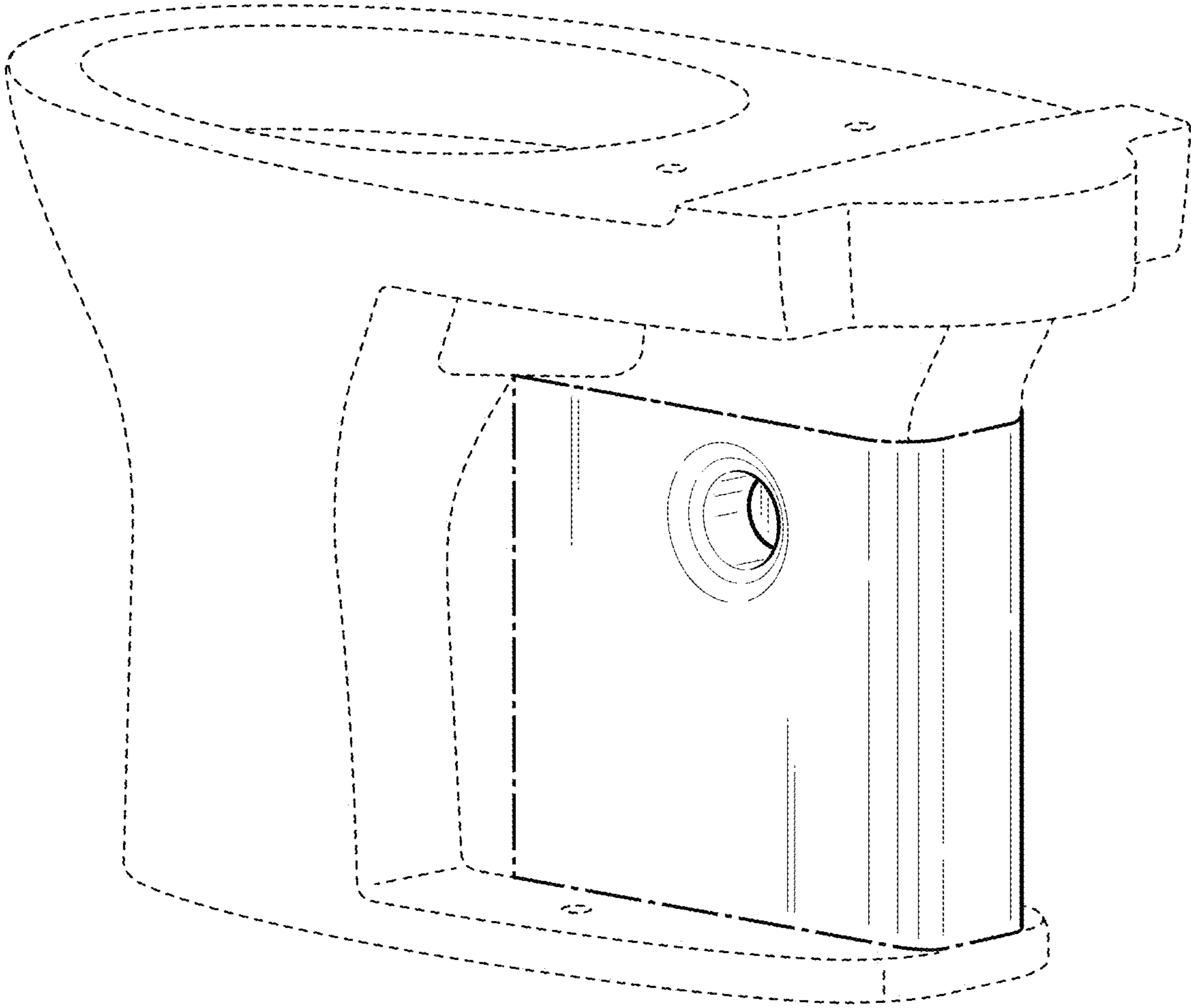


FIG. 2

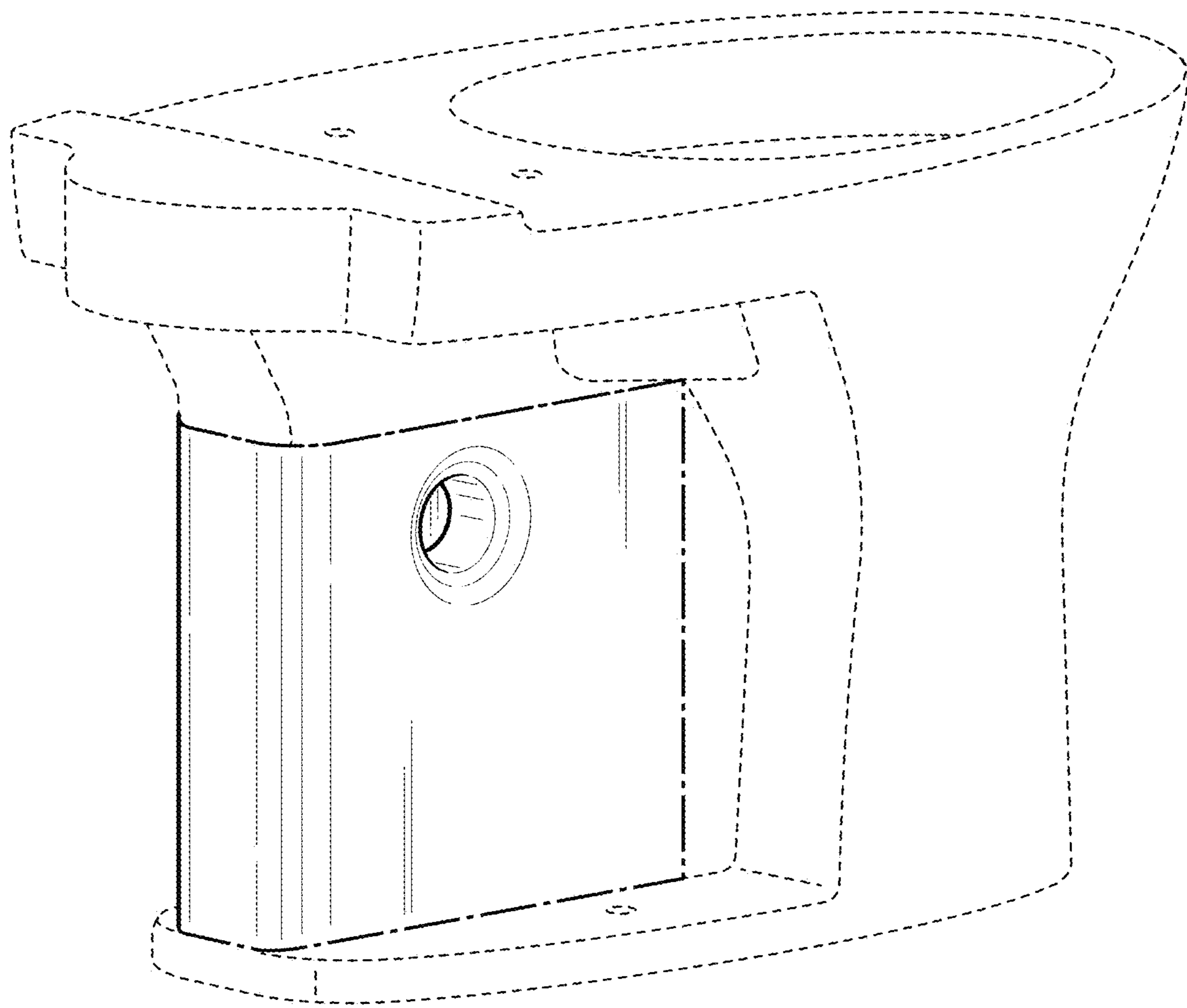


FIG. 3

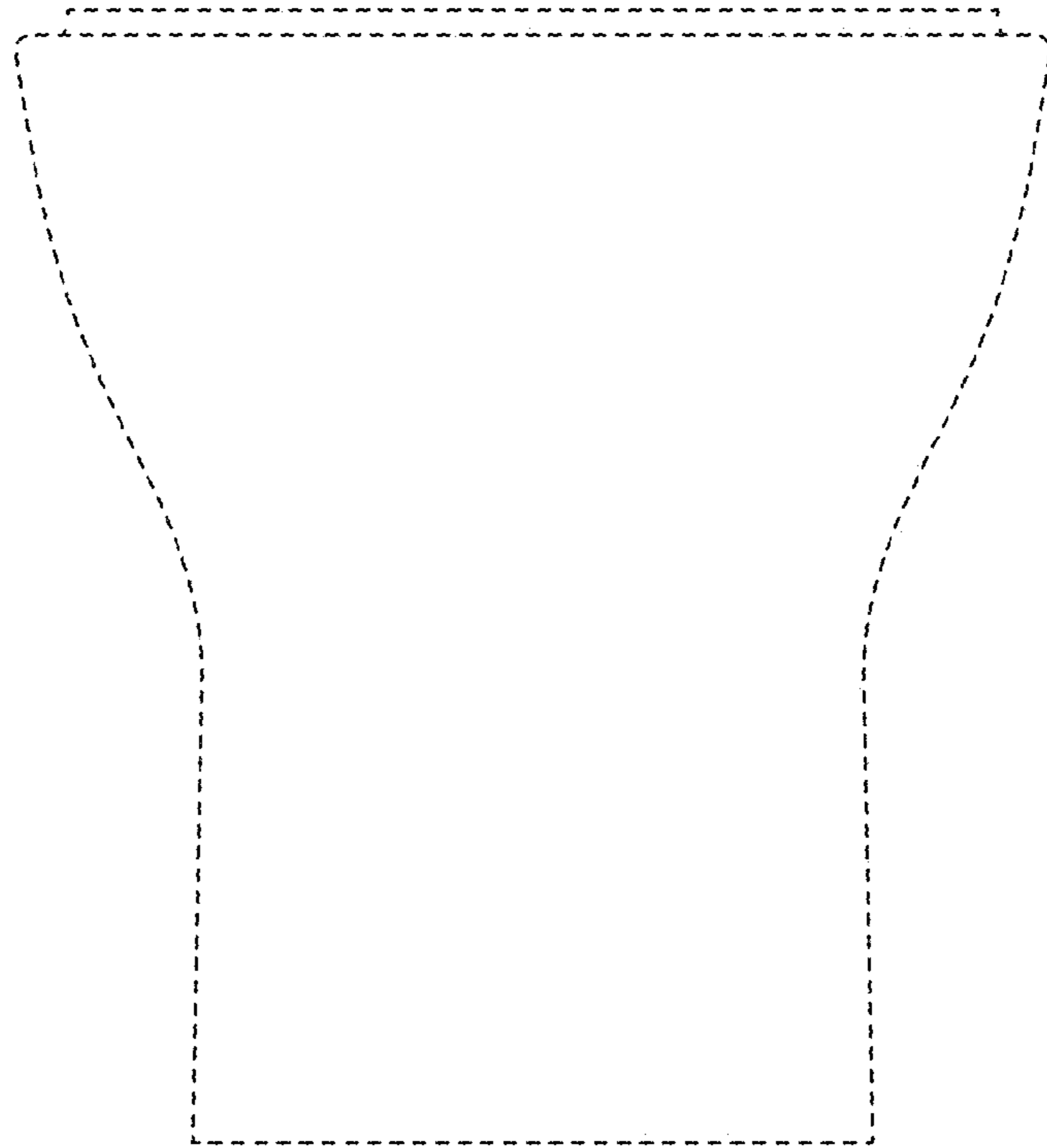


FIG. 4

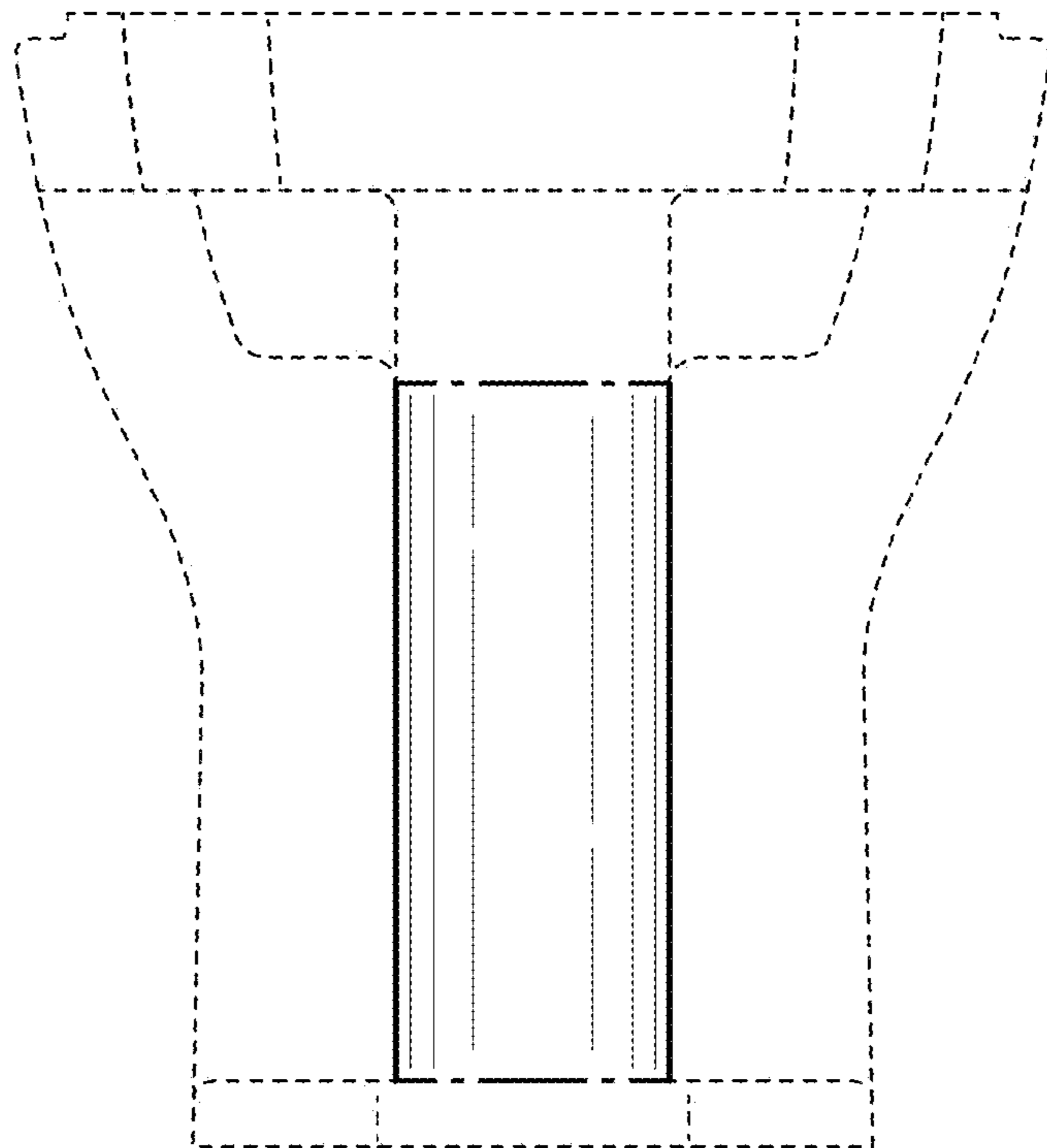


FIG. 5

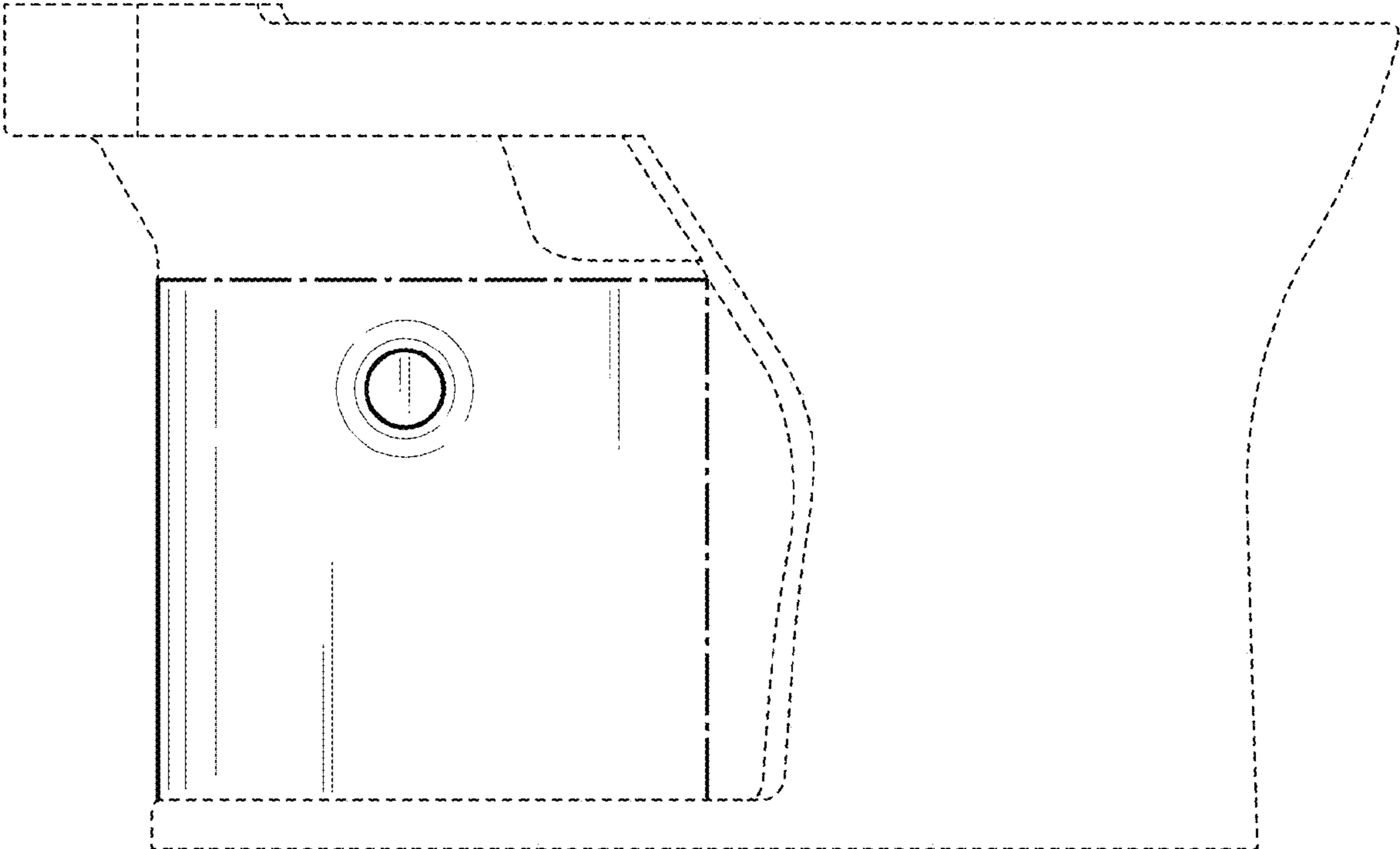


FIG. 6

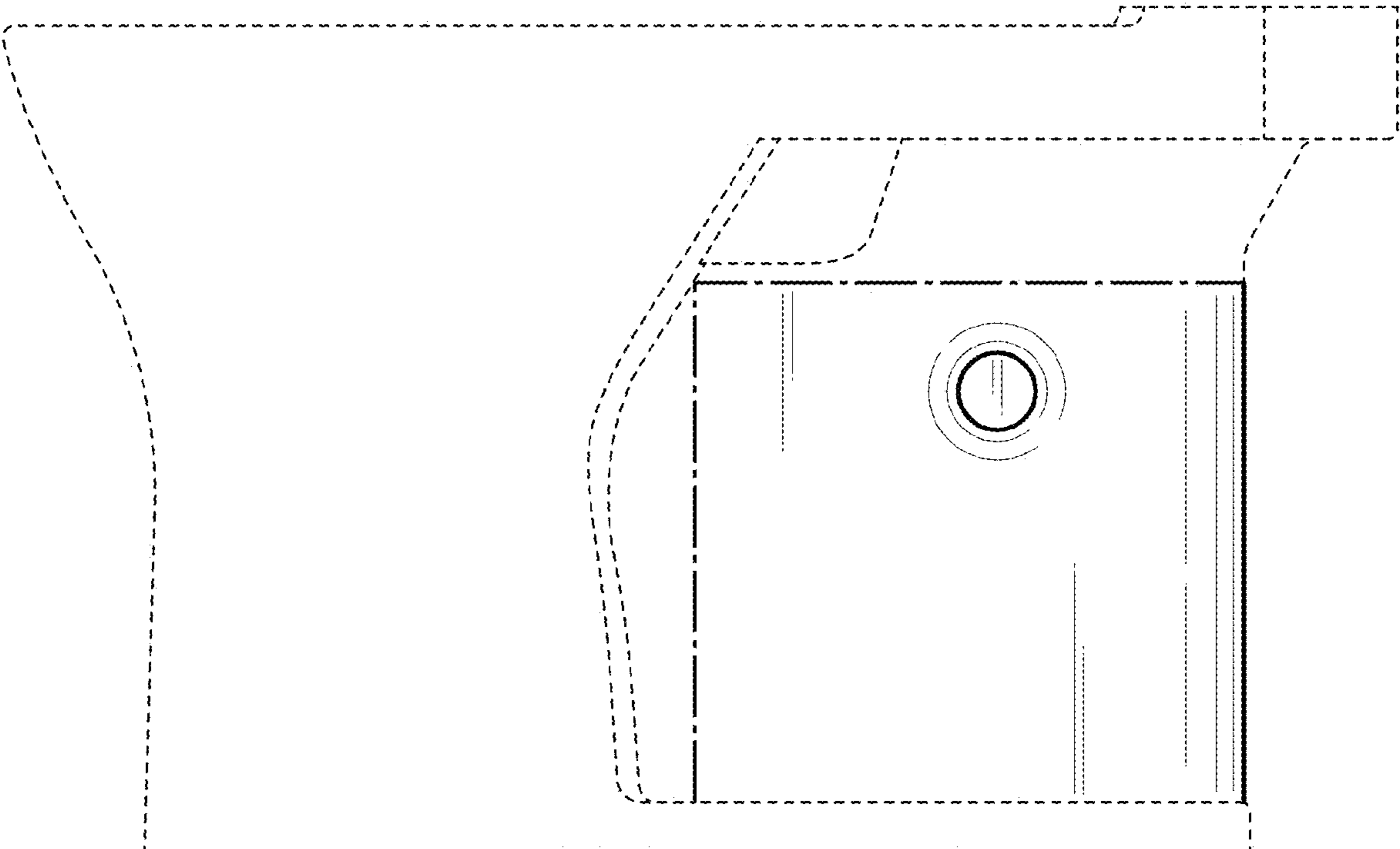


FIG. 7

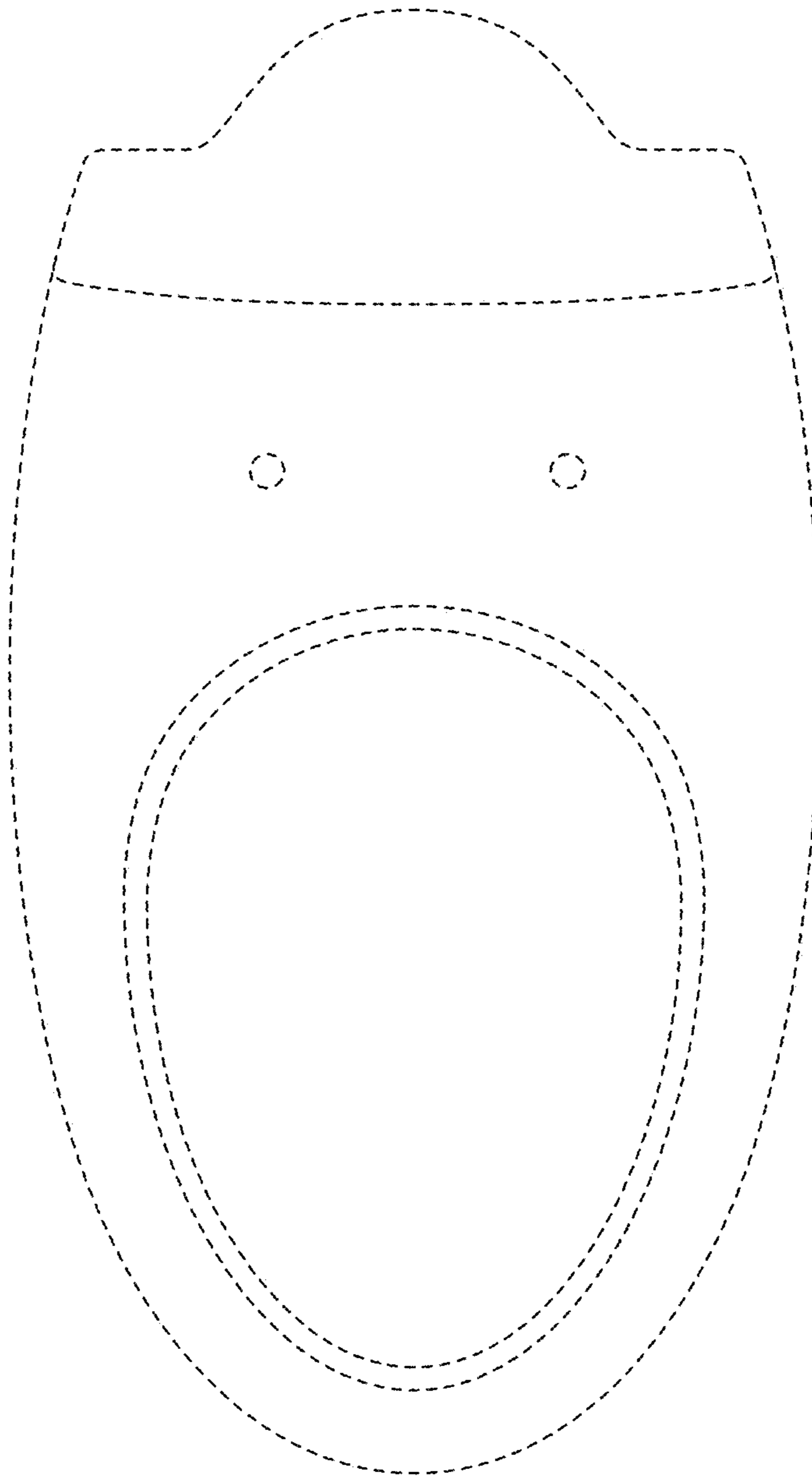


FIG. 8

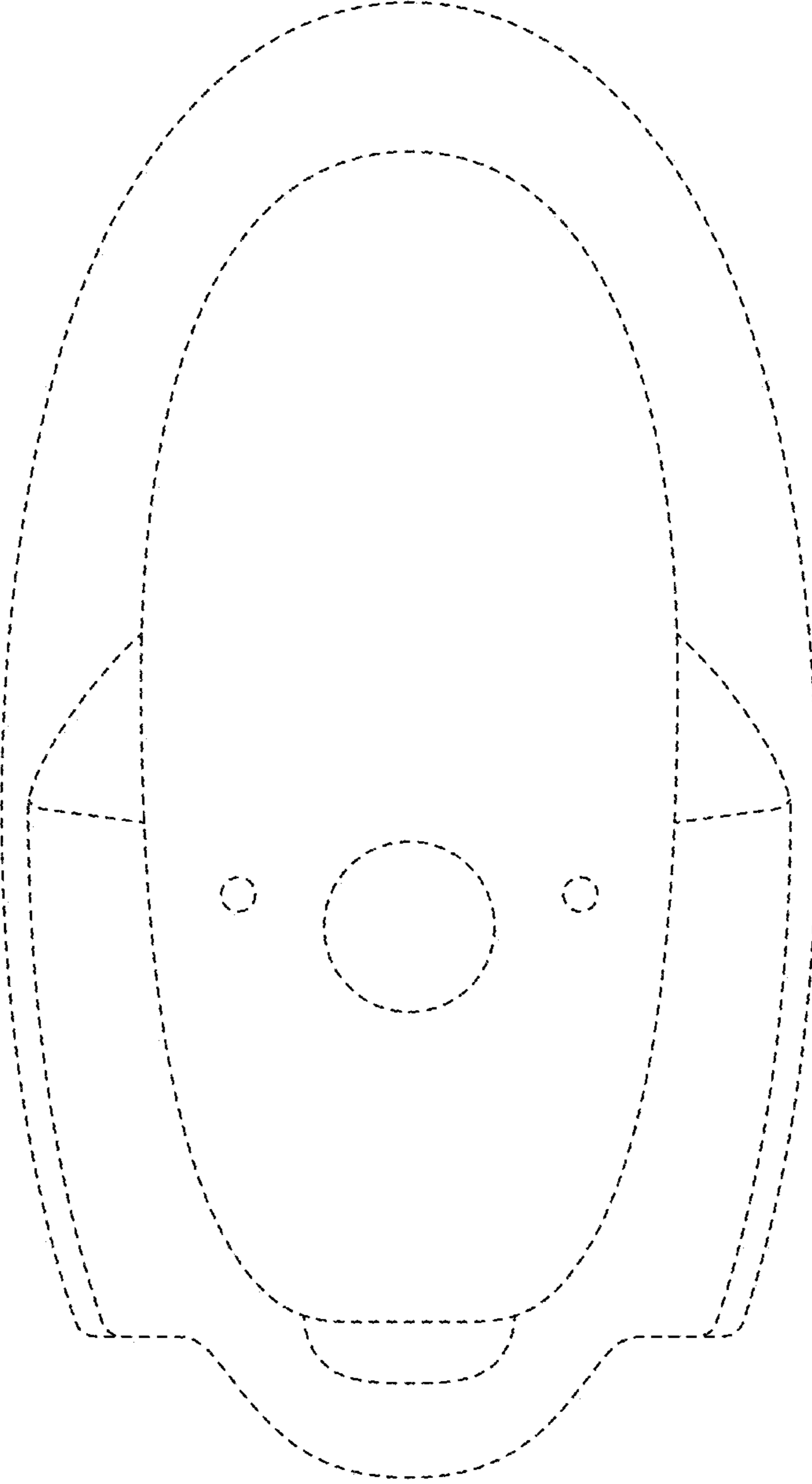


FIG. 9