



US00D884852S

(12) **United States Design Patent** (10) **Patent No.:** **US D884,852 S**
Otsuka et al. (45) **Date of Patent:** **** May 19, 2020**

(54) **WATER CLOSET**

(56) **References Cited**

(71) Applicant: **TOTO, Ltd.**, Kitakyushu-shi, Fukuoka (JP)

U.S. PATENT DOCUMENTS

(72) Inventors: **Kazuki Otsuka**, Kitakyushu (JP);
Minoru Tani, Kitakyushu (JP);
Masafumi Ishikawa, Kitakyushu (JP)

D323,880 S 2/1992 McKeone et al.
5,155,870 A 10/1992 Tsutsui et al.
5,579,542 A 12/1996 Hayman
D432,218 S 10/2000 Kawamura et al.
D502,765 S 3/2005 Bucher et al.
D712,529 S 9/2014 Bucher

(73) Assignee: **TOTO, Ltd.**, Kitakyushu-shi, Fukuoka (JP)

Primary Examiner — Robert A Delehanty

(**) Term: **15 Years**

(74) *Attorney, Agent, or Firm* — Banner & Witcoff, Ltd.

(21) Appl. No.: **29/716,106**

(57) **CLAIM**

(22) Filed: **Dec. 6, 2019**

The ornamental design for a water closet, as shown and described.

Related U.S. Application Data

DESCRIPTION

(62) Division of application No. 29/684,004, filed on Mar. 18, 2019.

FIG. 1 is a top, right, front, perspective view of a water closet showing our new design;

(30) **Foreign Application Priority Data**

Dec. 20, 2018 (JP) 2018-027818
Dec. 20, 2018 (JP) 2018-027820
Dec. 20, 2018 (JP) 2018-027822

FIG. 2 is a top, right, rear, perspective view thereof;

(51) **LOC (12) Cl.** **23-02**

FIG. 3 is a top, left, rear, perspective view thereof;

(52) **U.S. Cl.**
USPC **D23/309**

FIG. 4 is a front view thereof;

(58) **Field of Classification Search**
USPC D23/295, 301, 309, 313
CPC .. E03D 1/00; E03D 1/01; E03D 1/012; E03D 1/04; E03D 1/06; E03D 1/08; E03D 1/28; E03D 1/13; E03D 2201/30; E03D 11/08; E03D 11/18; E03D 13/00; D03D 5/10; A47K 11/00

FIG. 5 is a rear view thereof;

FIG. 6 is a left side view thereof;

FIG. 7 is a right side view thereof;

FIG. 8 is a top view thereof, and,

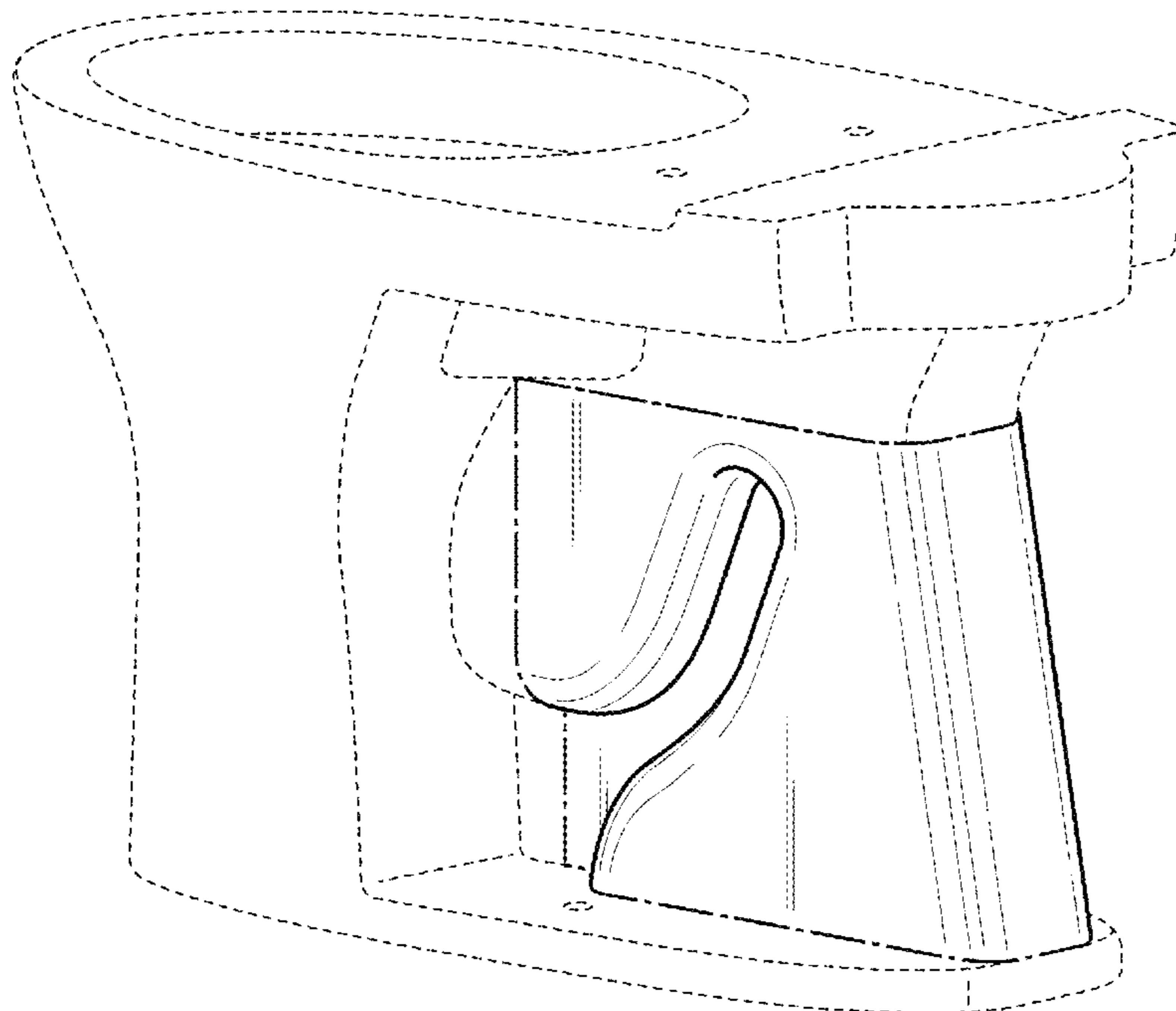
FIG. 9 is a bottom view thereof.

The broken lines shown in the figures are included for the purpose of illustrating portions of the water closet that form no part of the claimed design.

The dash-dot-dash broken lines shown in the figures represent an unclaimed boundary between claimed and unclaimed subject matter.

See application file for complete search history.

1 Claim, 7 Drawing Sheets



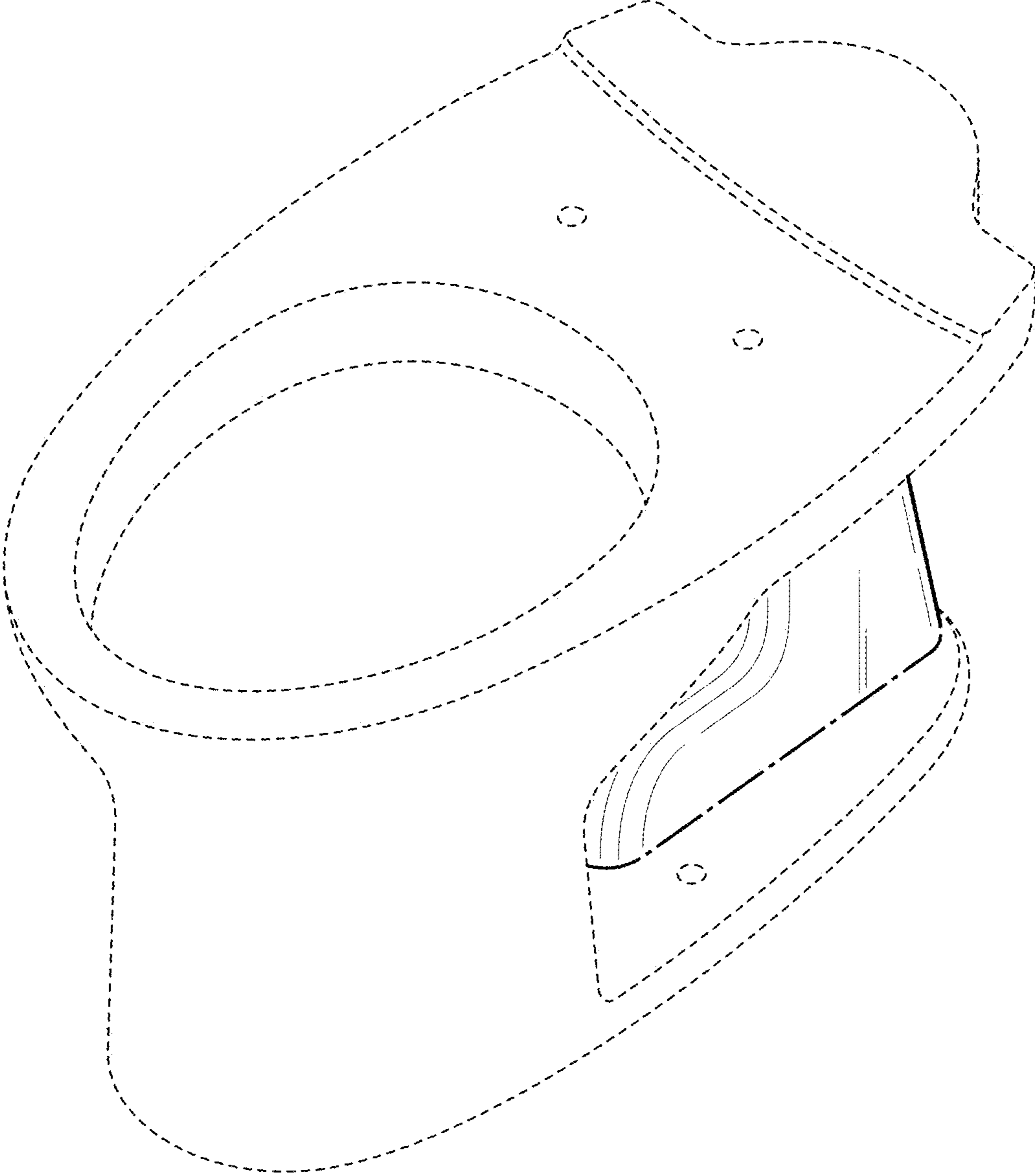


FIG. 1

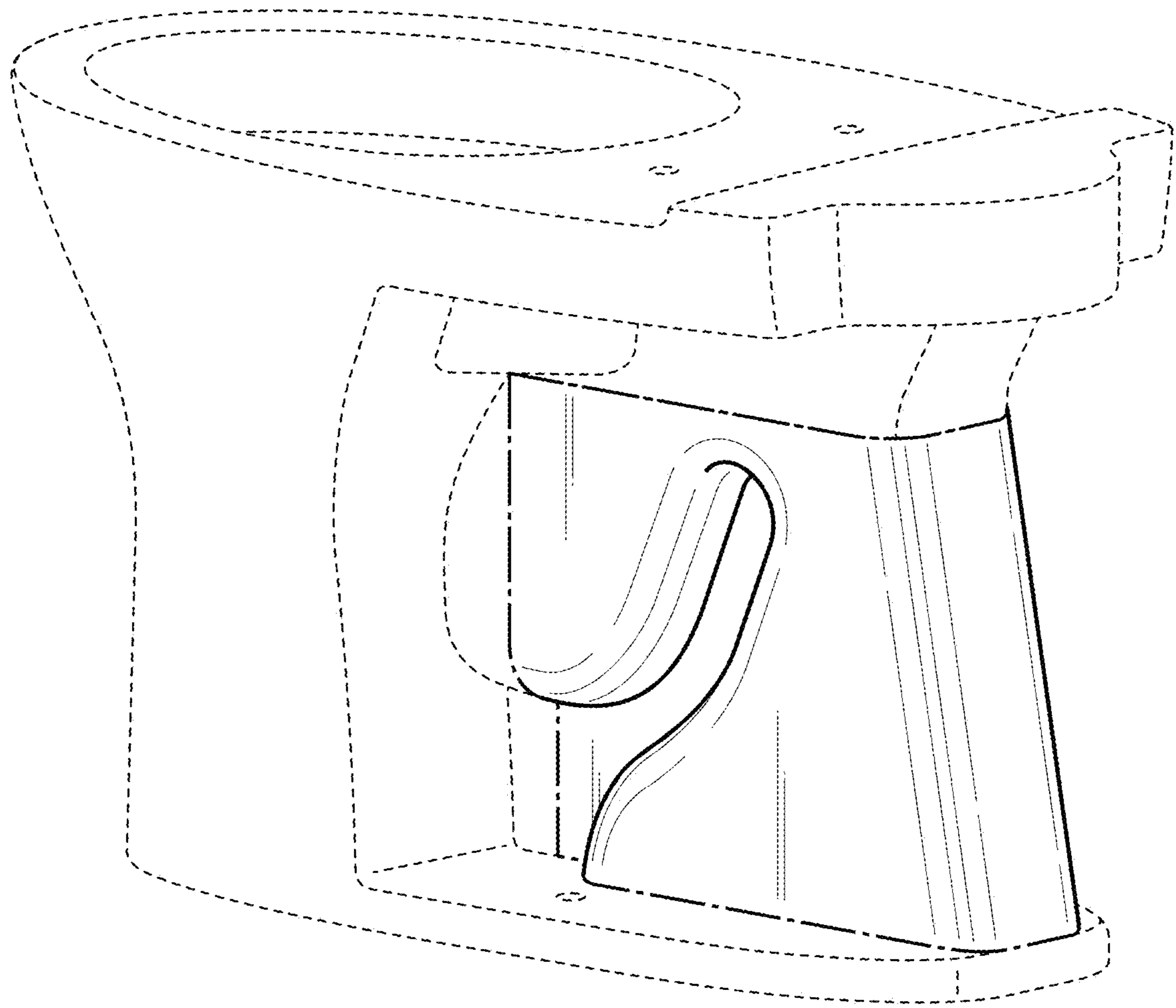


FIG. 2

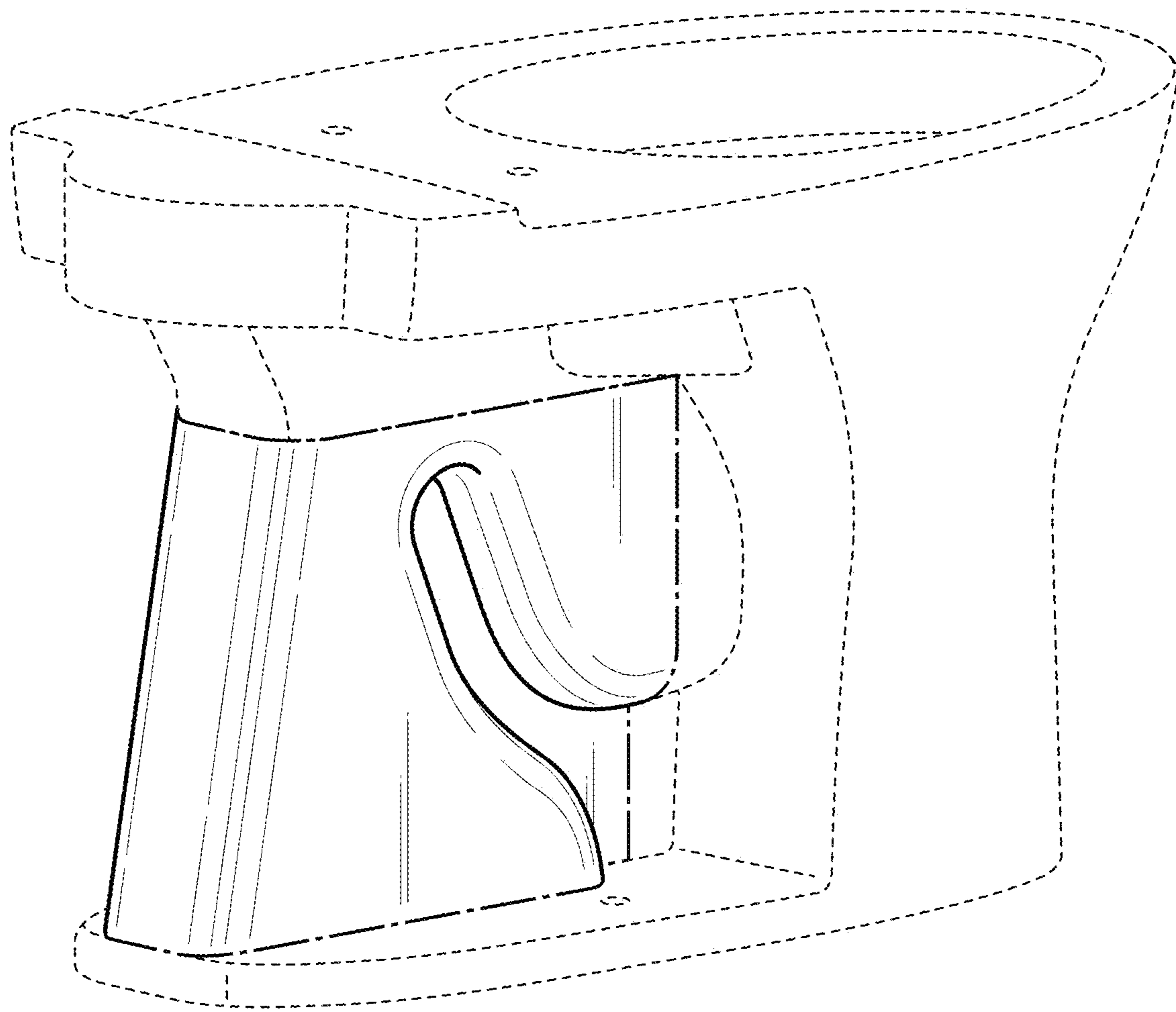


FIG. 3

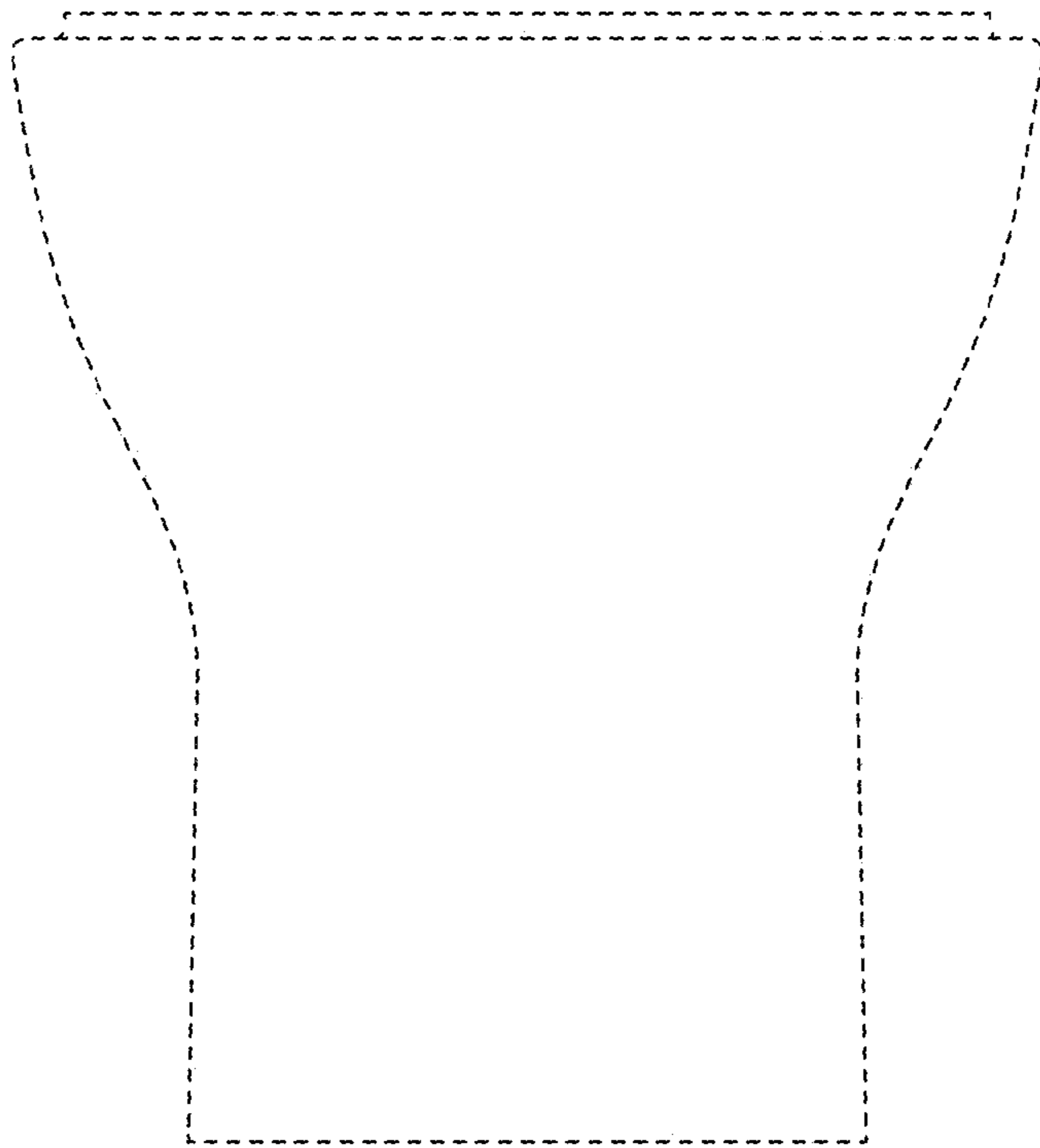


FIG. 4

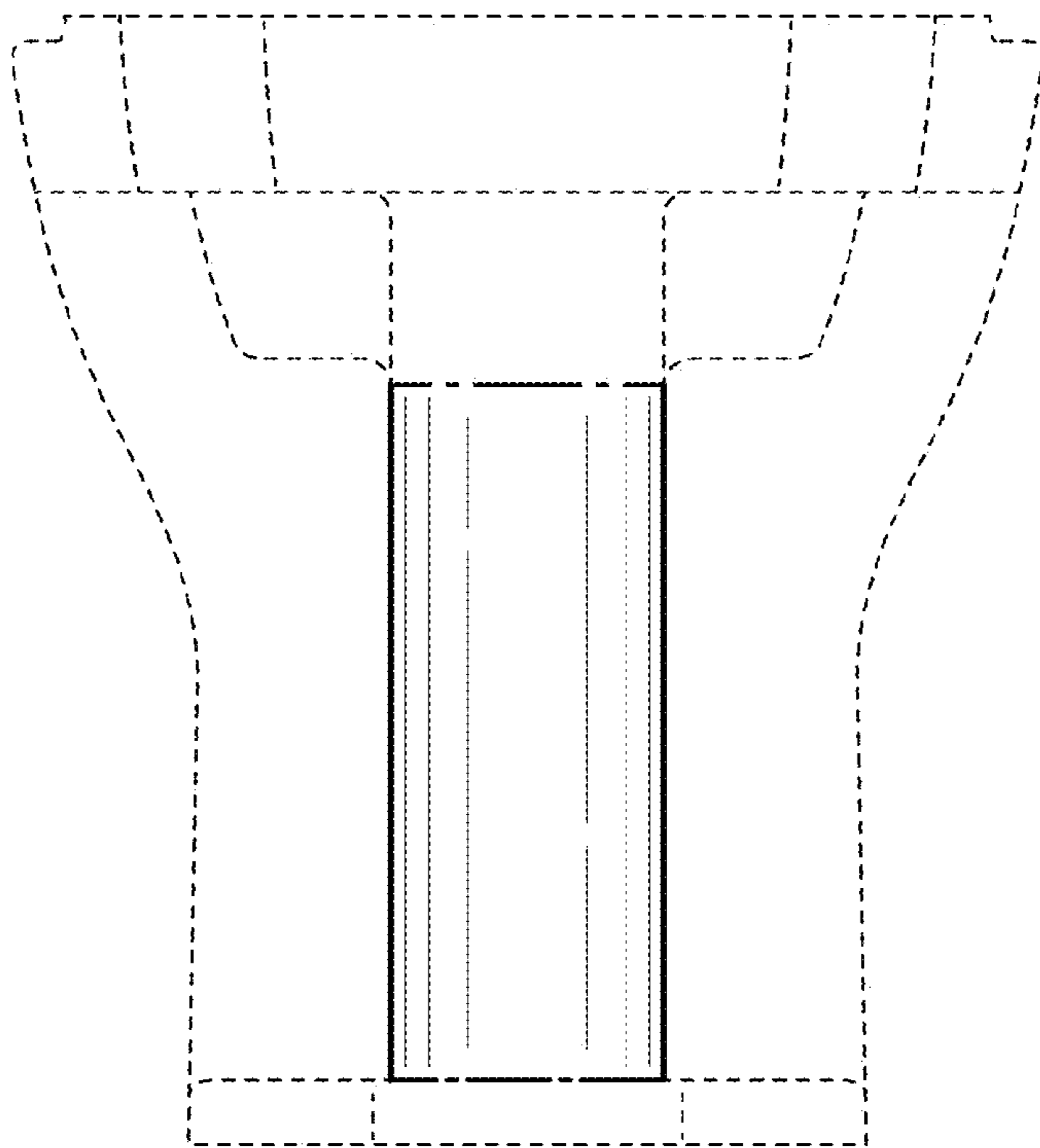


FIG. 5

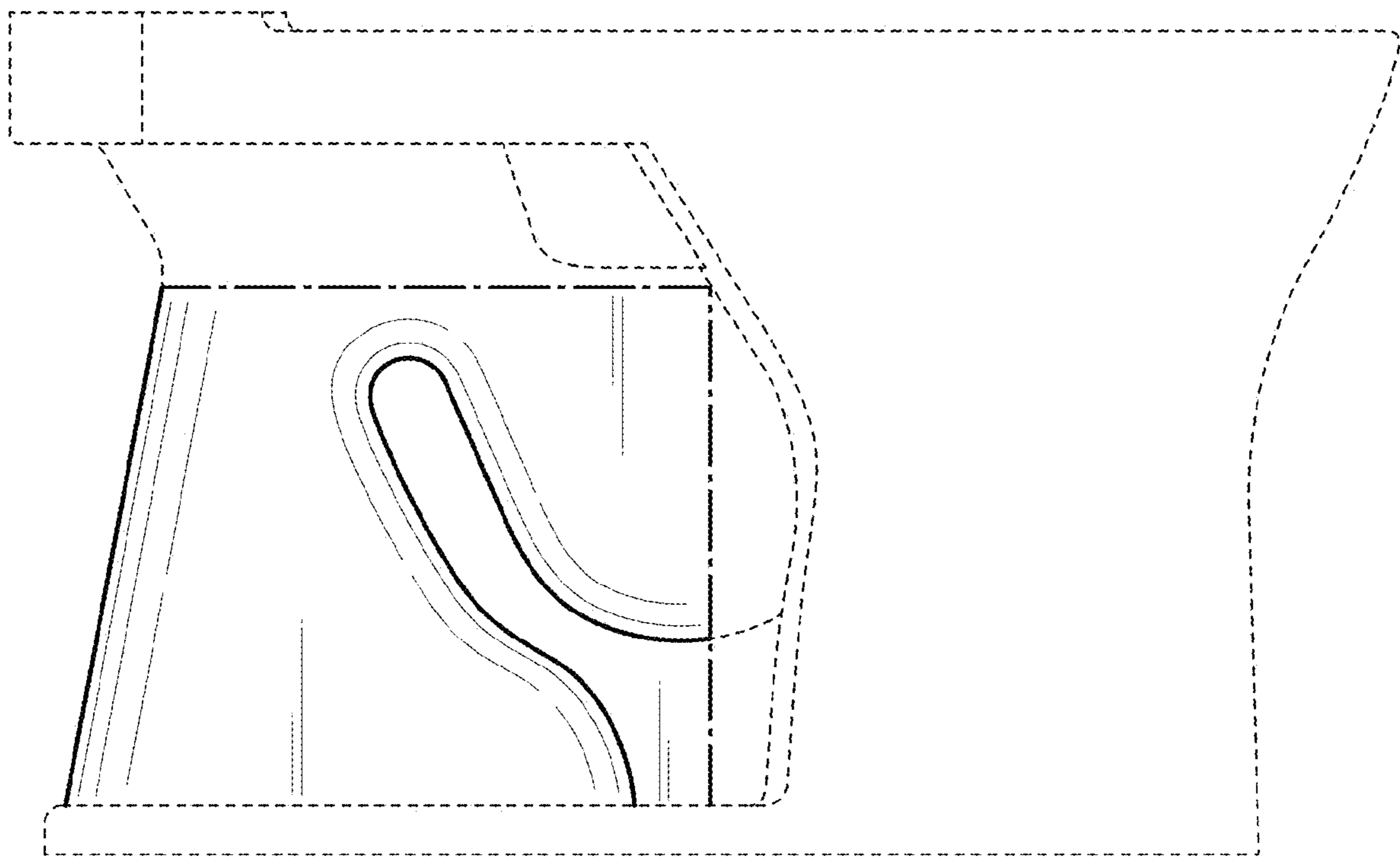


FIG. 6

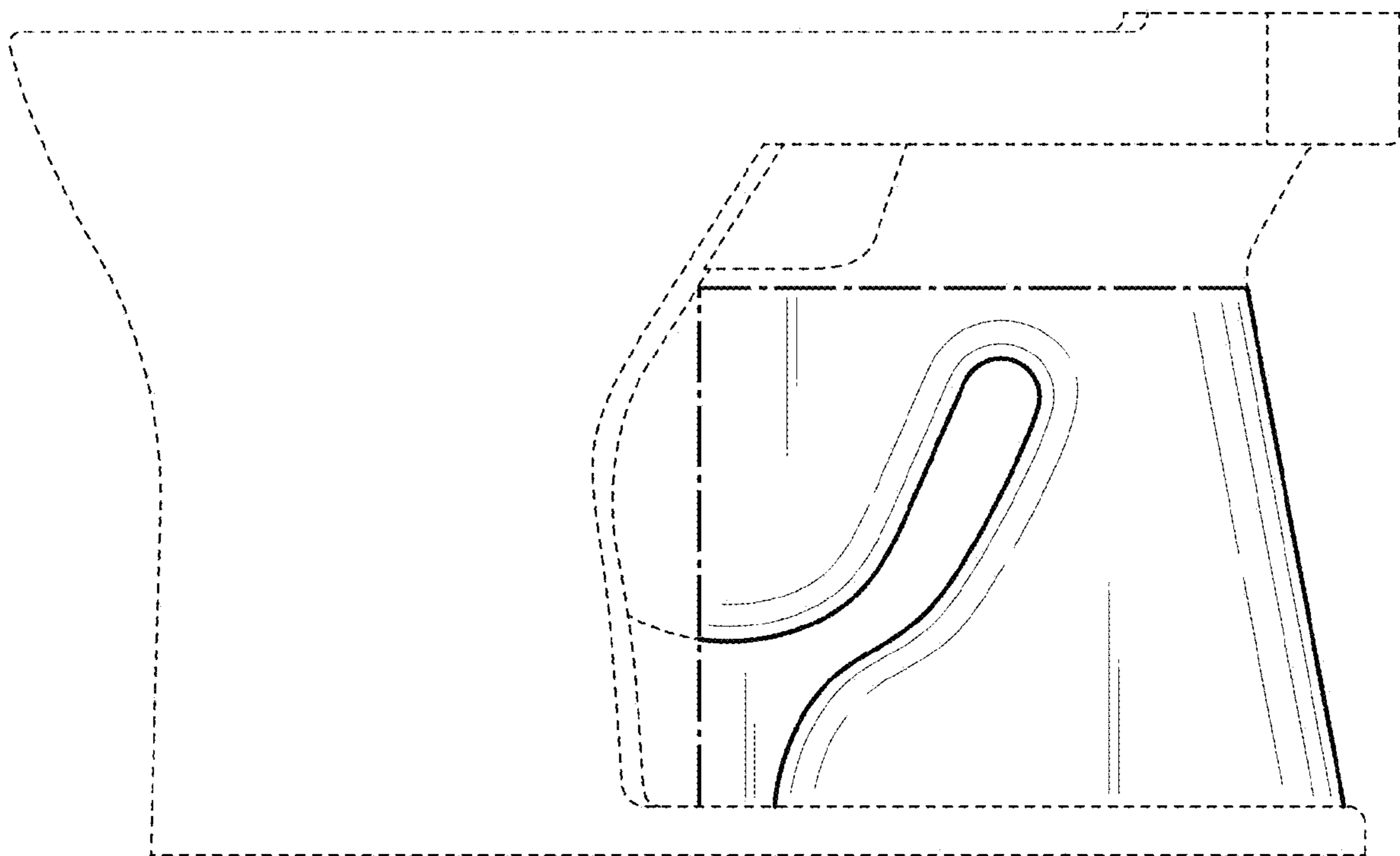


FIG. 7

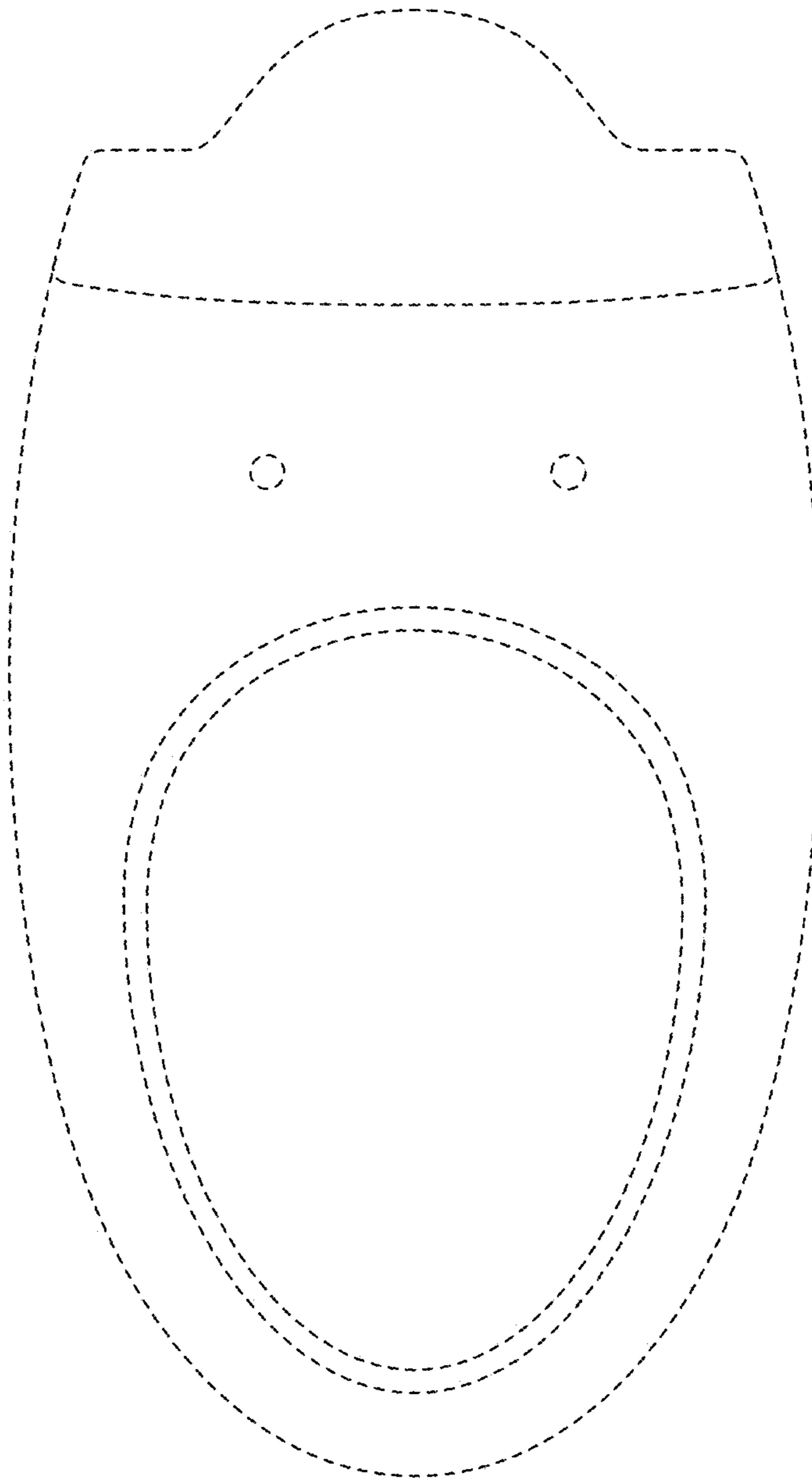


FIG. 8

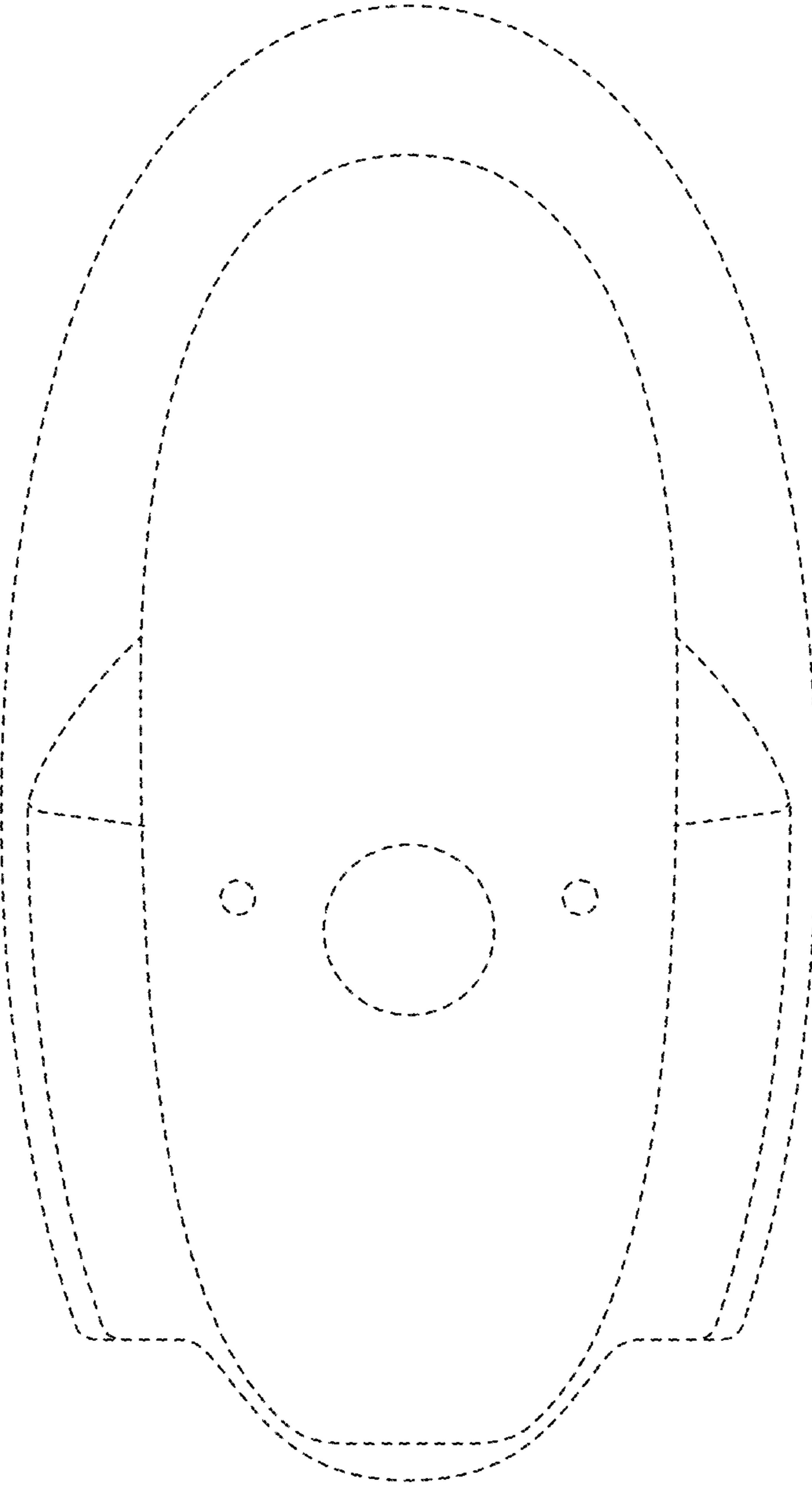


FIG. 9