



US00D884849S

(12) **United States Design Patent** (10) **Patent No.:** **US D884,849 S**  
**Garrels et al.** (45) **Date of Patent:** **\*\* May 19, 2020**

(54) **TOILET**  
(71) Applicant: **Kohler Co.**, Kohler, WI (US)  
(72) Inventors: **Clayton C. Garrels**, Kohler, WI (US);  
**Robin A. Goad**, Sheboygan, WI (US)  
(73) Assignee: **KOHLER CO.**, Kohler, WI (US)  
(\*\*) Term: **15 Years**  
(21) Appl. No.: **29/660,500**  
(22) Filed: **Aug. 21, 2018**

D496,442 S \* 9/2004 Bates ..... D23/295  
D507,335 S 7/2005 Gordon  
D507,822 S 7/2005 Bucher  
D514,208 S 1/2006 Gordon  
D520,615 S 5/2006 Hou  
D528,194 S \* 9/2006 Hou ..... D23/301  
D532,875 S 11/2006 Kaule  
D533,926 S \* 12/2006 Preston ..... D23/301  
D556,300 S 11/2007 Lin  
D594,942 S \* 6/2009 Slothower ..... D23/295  
D647,184 S \* 10/2011 Bates ..... D23/295  
(Continued)

**Related U.S. Application Data**

(62) Division of application No. 29/567,510, filed on Jun. 9, 2016, now Pat. No. Des. 829,871.  
(51) **LOC (12) Cl.** ..... **23-02**  
(52) **U.S. Cl.**  
USPC ..... **D23/309**  
(58) **Field of Classification Search**  
USPC ..... D23/295-301, 303, 309, 311-313  
CPC ..... A47K 11/02; A47K 11/026; A47K 11/00;  
A47K 13/00; E03D 11/18; E03D 5/10;  
E03D 13/00  
See application file for complete search history.

**References Cited**

**U.S. PATENT DOCUMENTS**

D292,431 S 10/1987 Kohler, Jr.  
D310,407 S 9/1990 Stairs, Jr.  
D311,057 S 10/1990 Stairs, Jr.  
D323,880 S 2/1992 McKeone et al.  
D344,579 S 2/1994 Kohler, Jr. et al.  
D360,936 S 8/1995 Liddicoat  
D372,961 S 8/1996 Bonnell et al.  
D379,217 S 5/1997 Kergoet  
D397,214 S 8/1998 Felker  
D437,634 S 2/2001 Hundley  
D439,638 S 3/2001 Hundley

**OTHER PUBLICATIONS**

Barrington Pressure Lite Toilet, Kohler Fixtures, Suggested Price Book, p. 311, dated Jan. 15, 2005.  
(Continued)

*Primary Examiner* — Brandon M Rosati  
*Assistant Examiner* — John A Voytek  
(74) *Attorney, Agent, or Firm* — Foley & Lardner LLP

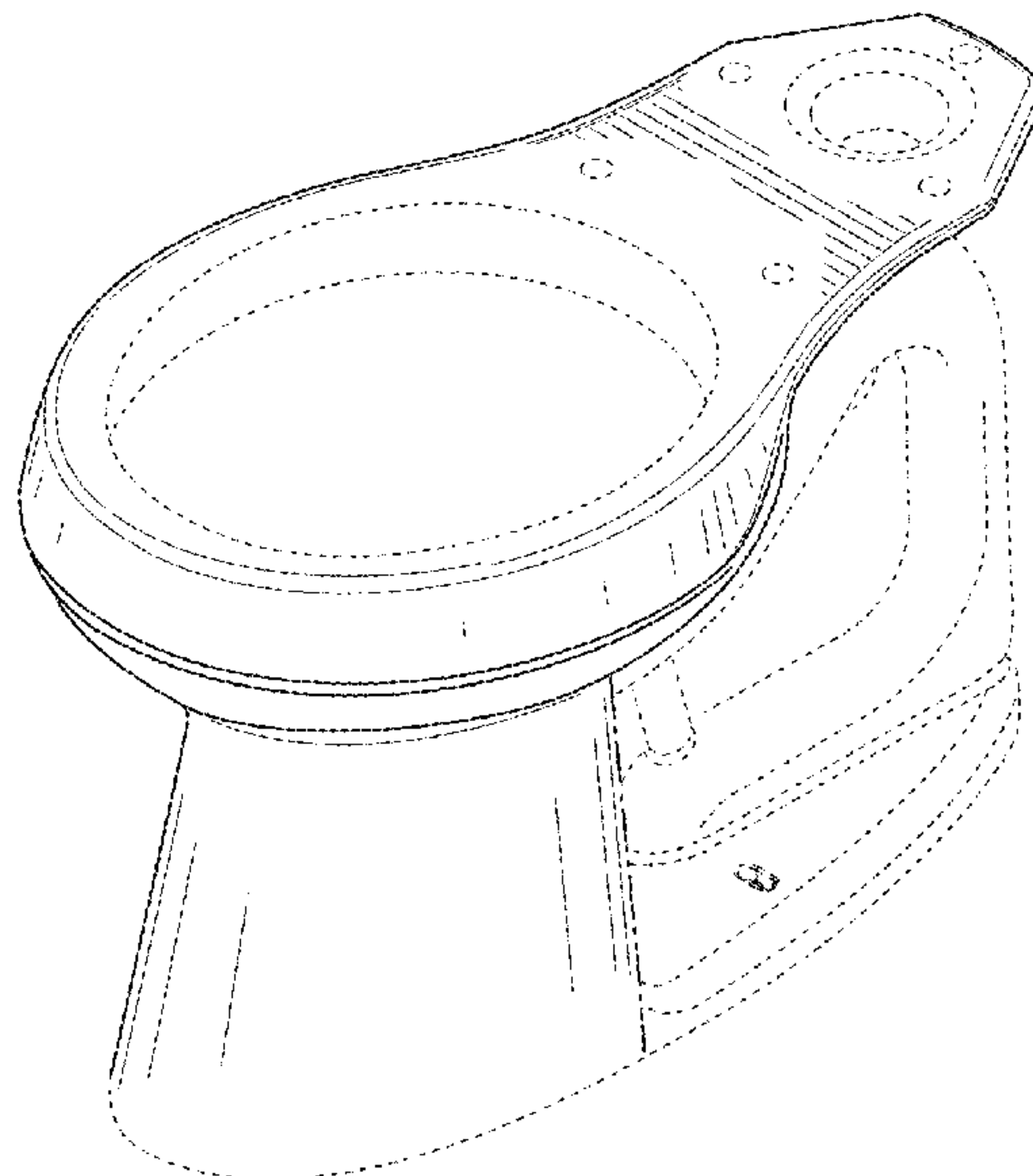
(57) **CLAIM**

We claim the ornamental design for a toilet, as shown and described.

**DESCRIPTION**

FIG. 1 is a perspective view of the claimed design;  
FIG. 2 is a top view of FIG. 1;  
FIG. 3 is a bottom view of FIG. 1;  
FIG. 4 is a front view of FIG. 1;  
FIG. 5 is a rear view of FIG. 1;  
FIG. 6 is a side view of FIG. 1; and,  
FIG. 7 is another side view of FIG. 1.  
The broken lines in the drawings form no part of the claimed design. Broken lines formed by equal length dashes show unclaimed subject matter. Broken lines formed of unequal length dashes (i.e., dash-dot) define bounds of the claimed design.

**1 Claim, 7 Drawing Sheets**



(56)

**References Cited**

U.S. PATENT DOCUMENTS

D672,019 S	12/2012	Bucher	
D687,933 S	8/2013	Kennedy	
D690,402 S	9/2013	Bates et al.	
D697,579 S	1/2014	O'Grady	
D702,331 S	4/2014	Garland	
D712,523 S	9/2014	Garland	
D806,842 S *	1/2018	Goad .....	D23/301
D815,718 S *	4/2018	Garrels .....	D23/301
D824,006 S *	7/2018	Goad .....	D23/309
D829,871 S *	10/2018	Garrels .....	D23/301
D863,517 S *	10/2019	Garrels .....	D23/309

OTHER PUBLICATIONS

Pinoir Comfort Height Toilet, Kohler Fixtures, Suggested Price Book, p. 264, dated Jan. 13, 2007.

Wellworth Comfort Height Toilet with Concealed Trapway, Kohler Fixtures, Suggested Price Book, p. 265, dated Jan. 13, 2007.

\* cited by examiner

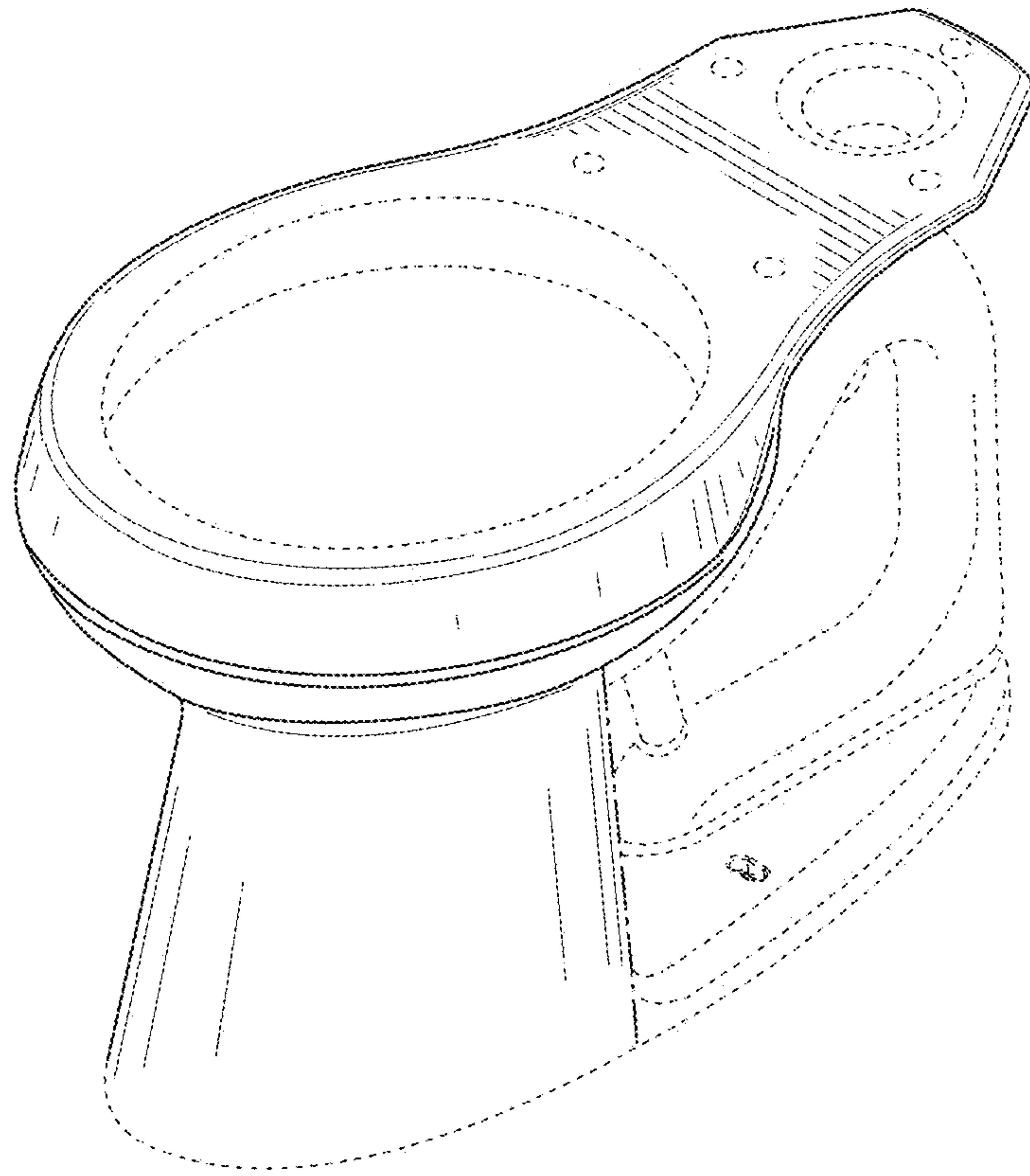


FIG. 1

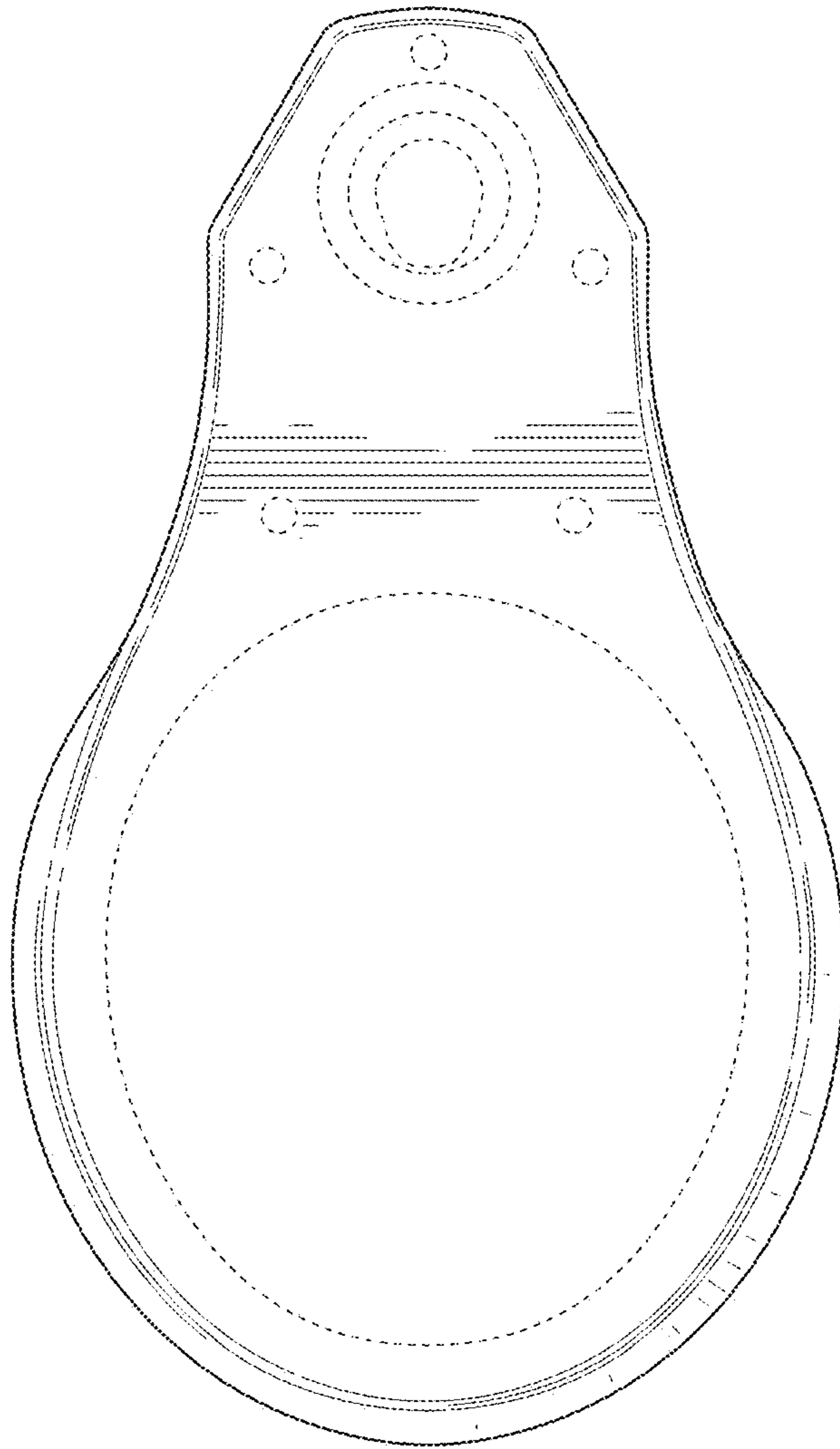
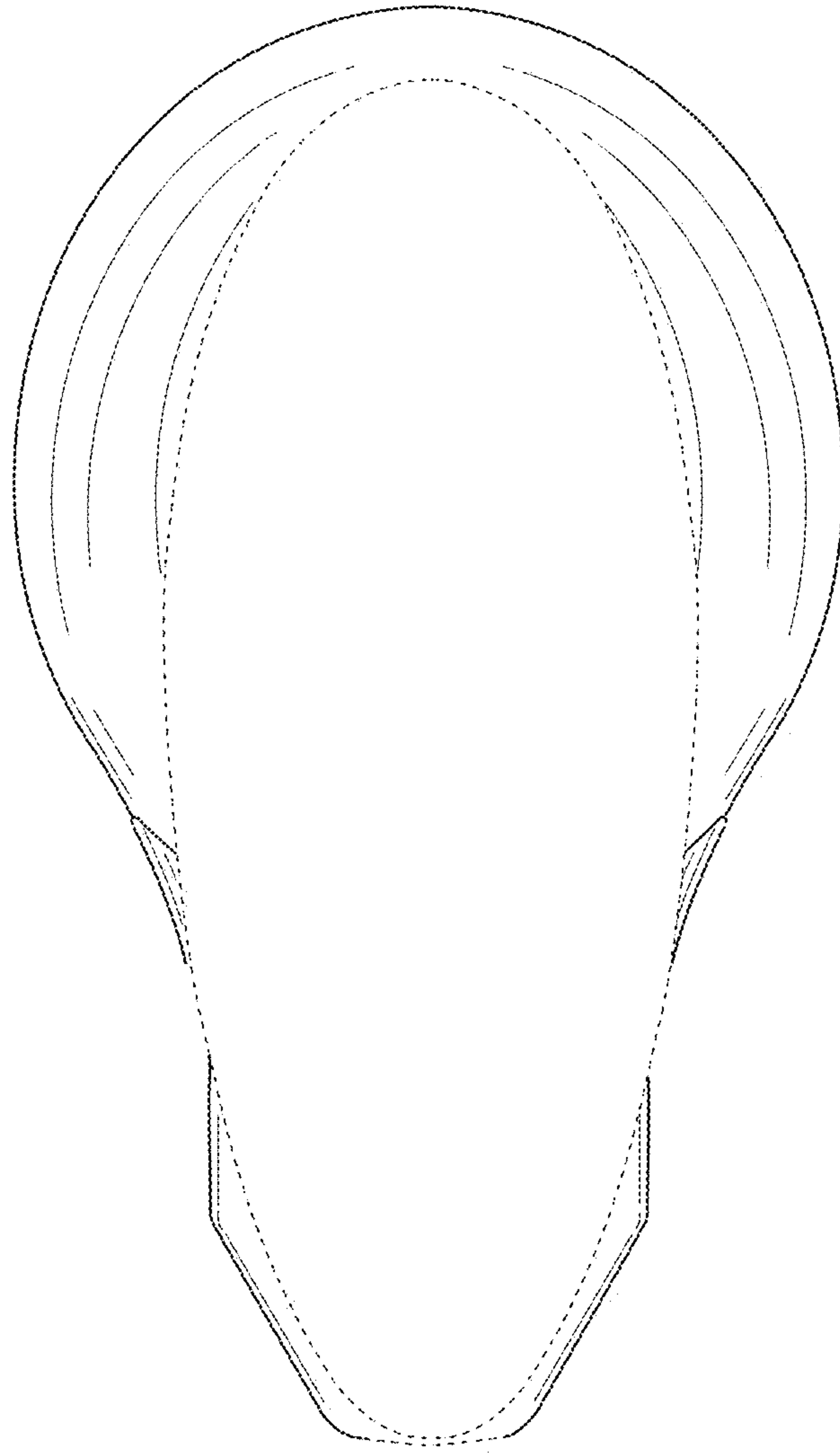


FIG. 2



**FIG. 3**

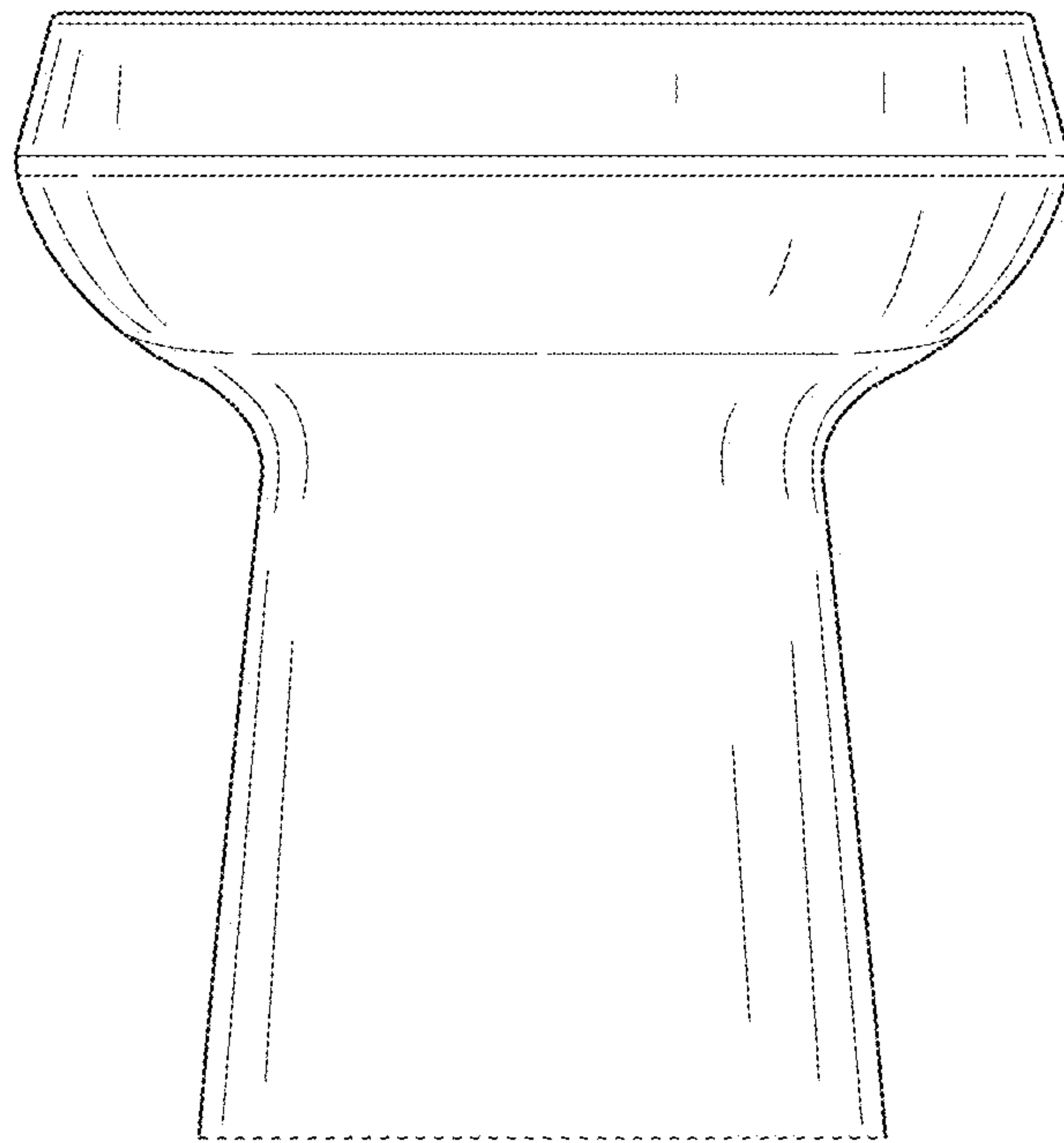
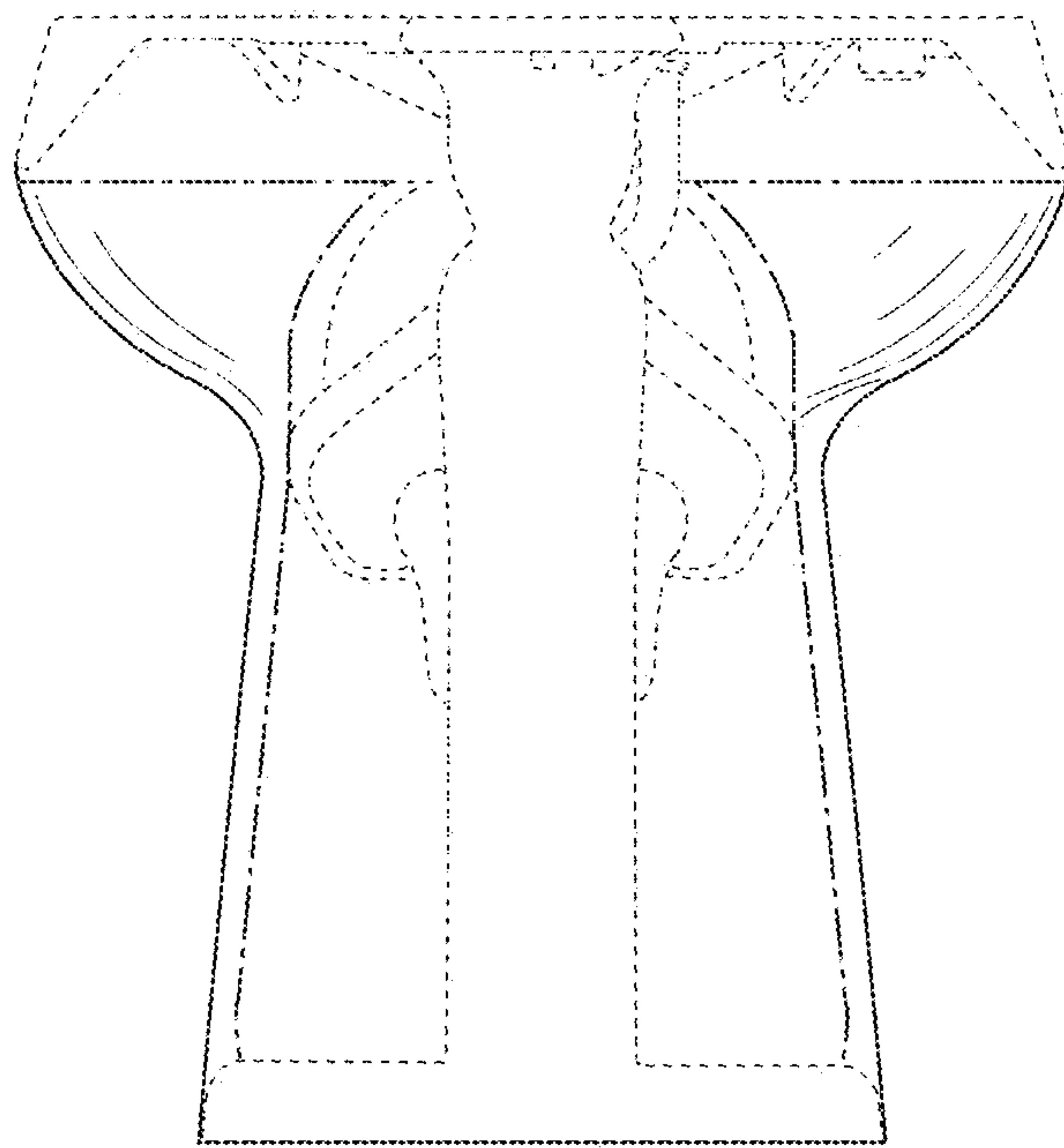


FIG. 4



**FIG. 5**



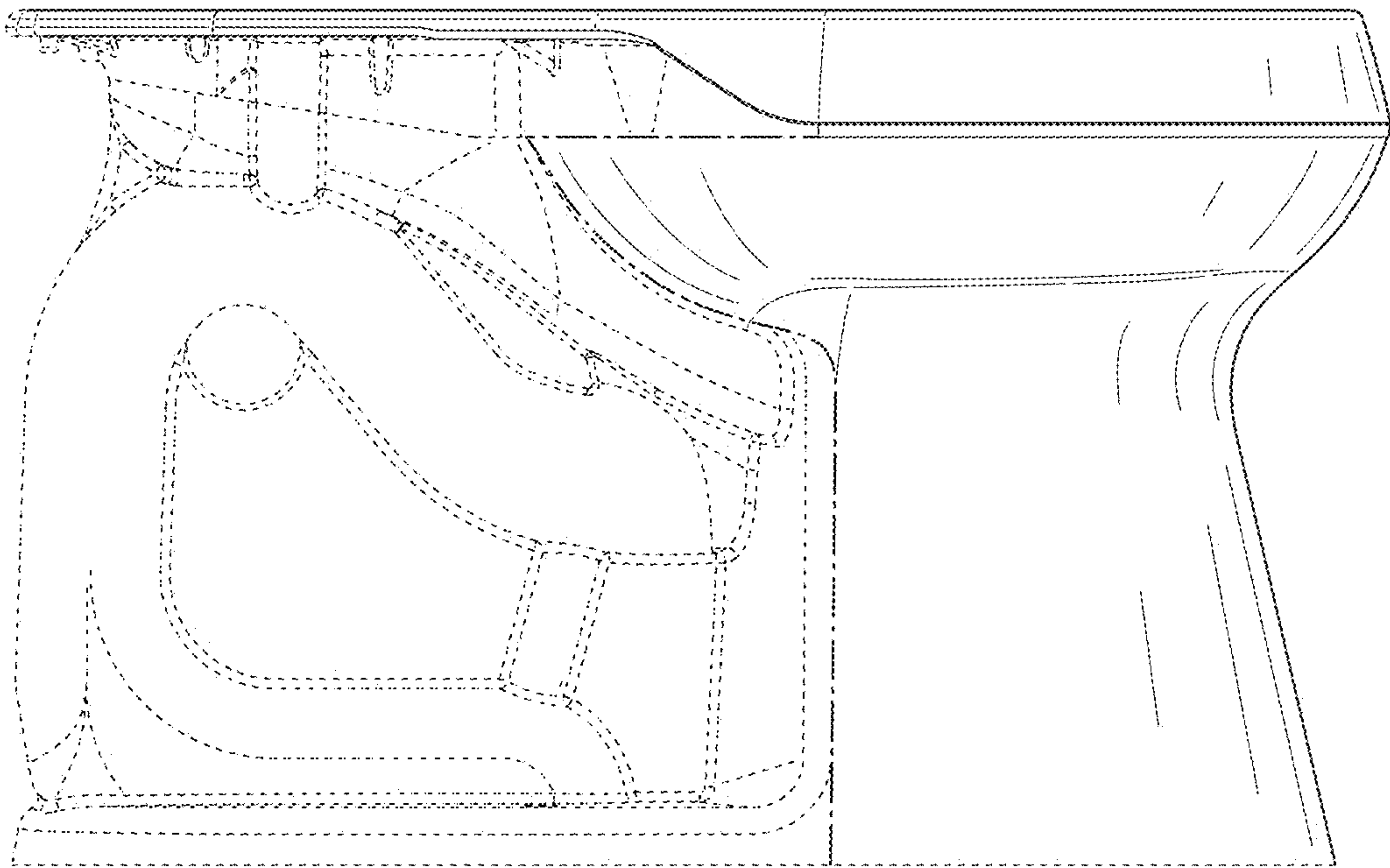
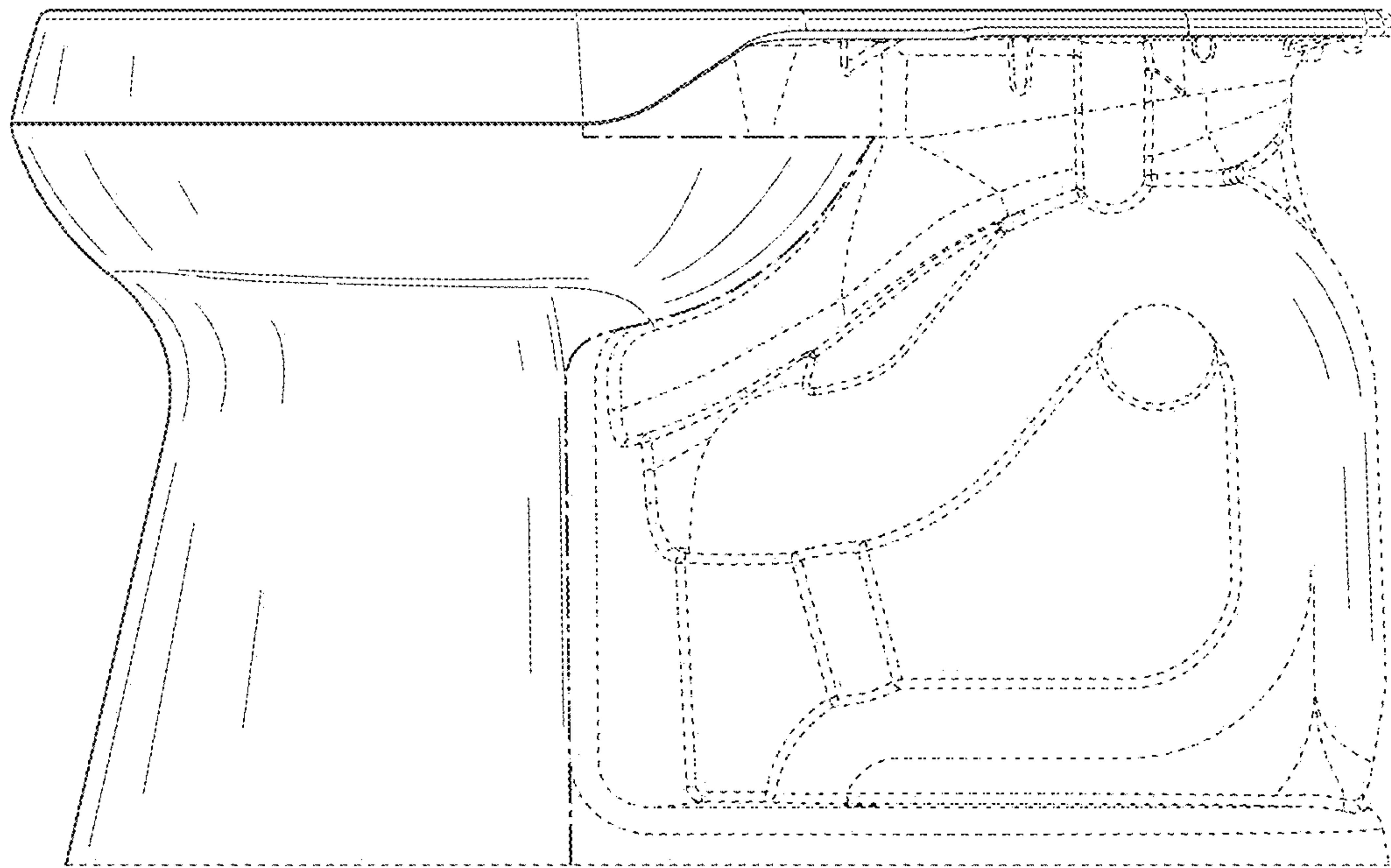


FIG. 6





**FIG. 7**