



US00D884847S

(12) **United States Design Patent** (10) **Patent No.:** **US D884,847 S**
Otsuka et al. (45) **Date of Patent:** **** May 19, 2020**

(54) **WATER CLOSET**

(71) Applicant: **TOTO, Ltd.**, Kitakyushu-shi, Fukuoka (JP)

(72) Inventors: **Kazuki Otsuka**, Kitakyushu (JP);
Minoru Tani, Kitakyushu (JP);
Masafumi Ishikawa, Kitakyushu (JP)

(73) Assignee: **TOTO, Ltd.**, Kitakyushu-shi, Fukuoka (JP)

(**) Term: **15 Years**

(21) Appl. No.: **29/716,101**

(22) Filed: **Dec. 6, 2019**

Related U.S. Application Data

(62) Division of application No. 29/683,990, filed on Mar. 18, 2019.

(30) **Foreign Application Priority Data**

Dec. 20, 2018 (JP) 2018-027816
Dec. 20, 2018 (JP) 2018-027817

(51) **LOC (12) Cl.** **23-02**

(52) **U.S. Cl.**
USPC **D23/301**

(58) **Field of Classification Search**
USPC D23/295, 301, 309, 313
CPC .. E03D 1/00; E03D 1/01; E03D 1/012; E03D 1/04; E03D 1/06; E03D 1/08; E03D 1/28; E03D 1/13; E03D 2201/30; E03D 11/08; E03D 11/18; E03D 13/00; D03D 5/10; A47K 11/00

See application file for complete search history.

(56) **References Cited**

U.S. PATENT DOCUMENTS

D447,225 S	8/2001	Tani
D502,765 S	3/2005	Bucher et al.
D532,875 S	11/2006	Kaule
D558,863 S	1/2008	Taguchi
D624,165 S	9/2010	Yokoyama
D712,529 S	9/2014	Bucher
D831,799 S	10/2018	Obara et al.

Primary Examiner — Robert A Delehanty

(74) *Attorney, Agent, or Firm* — Banner & Witcoff, Ltd.

(57) **CLAIM**

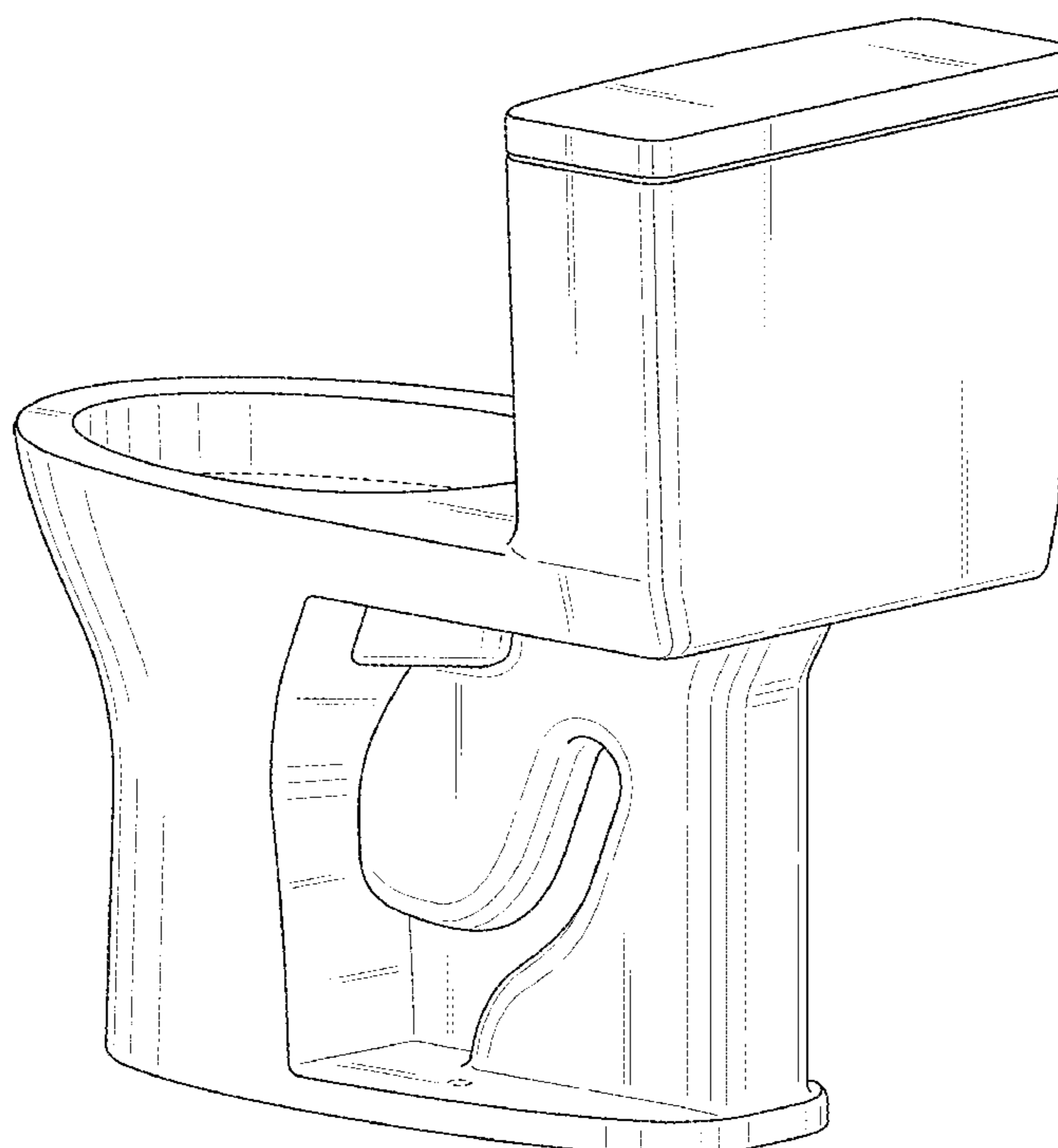
The ornamental design for a water closet, as shown and described.

DESCRIPTION

FIG. 1 is a top, right, front, perspective view of a water closet showing our new design;
 FIG. 2 is a top, right, rear, perspective view thereof;
 FIG. 3 is a top, left, rear, perspective view thereof;
 FIG. 4 is a front view thereof;
 FIG. 5 is a rear view thereof;
 FIG. 6 is a left side view thereof;
 FIG. 7 is a right side view thereof;
 FIG. 8 is a top view thereof; and,
 FIG. 9 is a bottom view thereof.

The broken lines shown in the figures are included for the purpose of illustrating portions of the water closet that form no part of the claimed design.

1 Claim, 9 Drawing Sheets



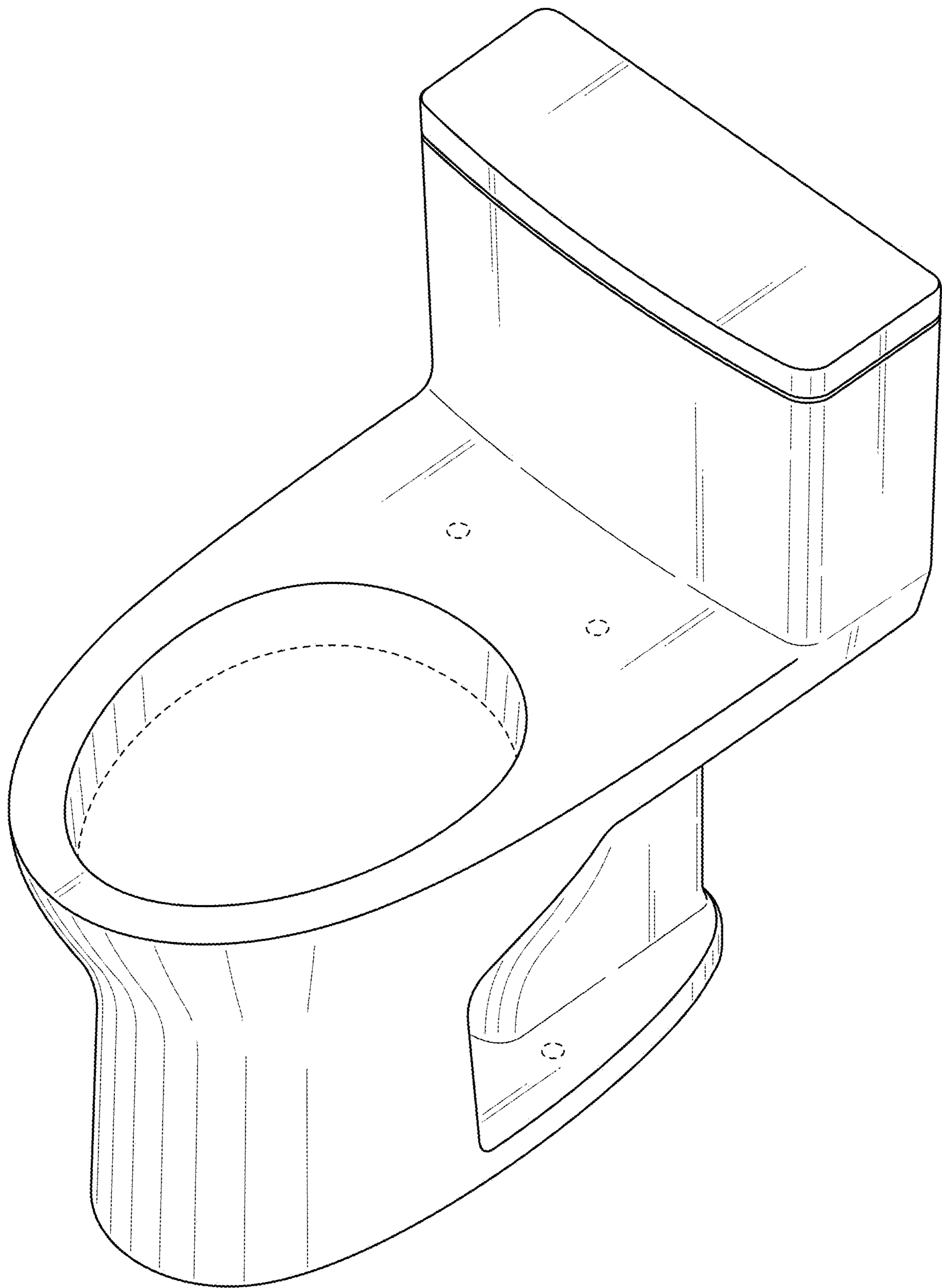


FIG. 1

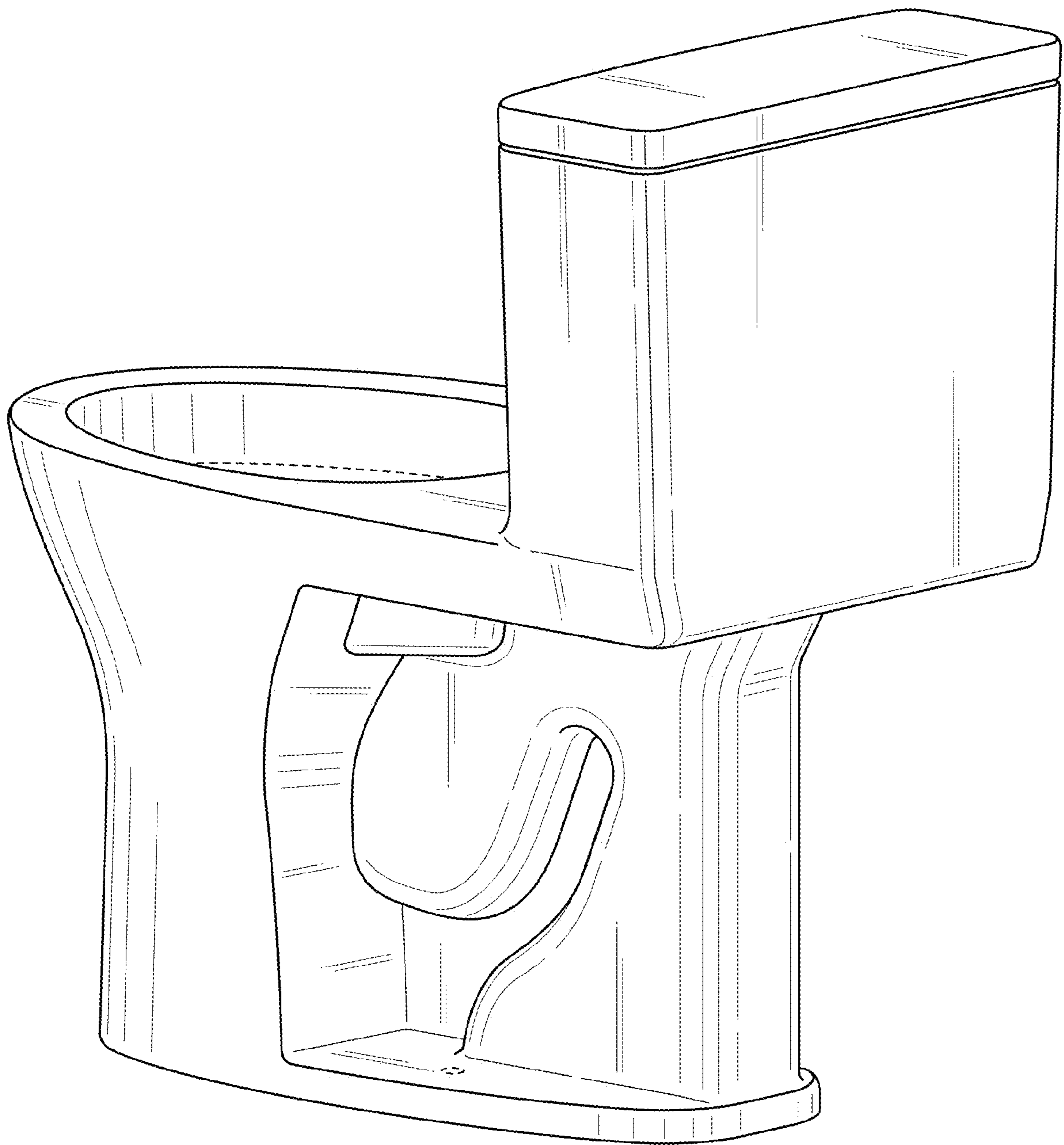


FIG. 2

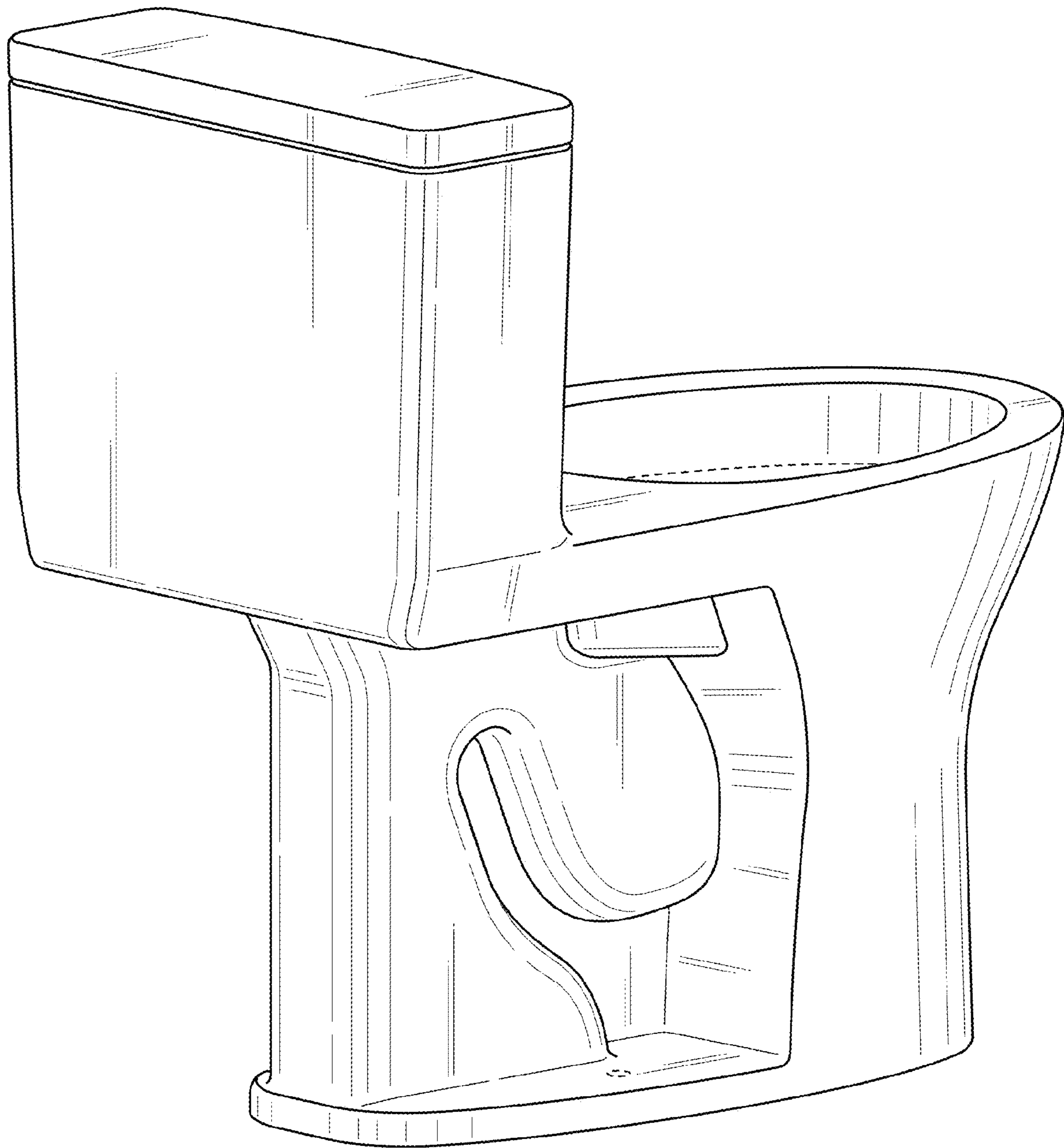


FIG. 3

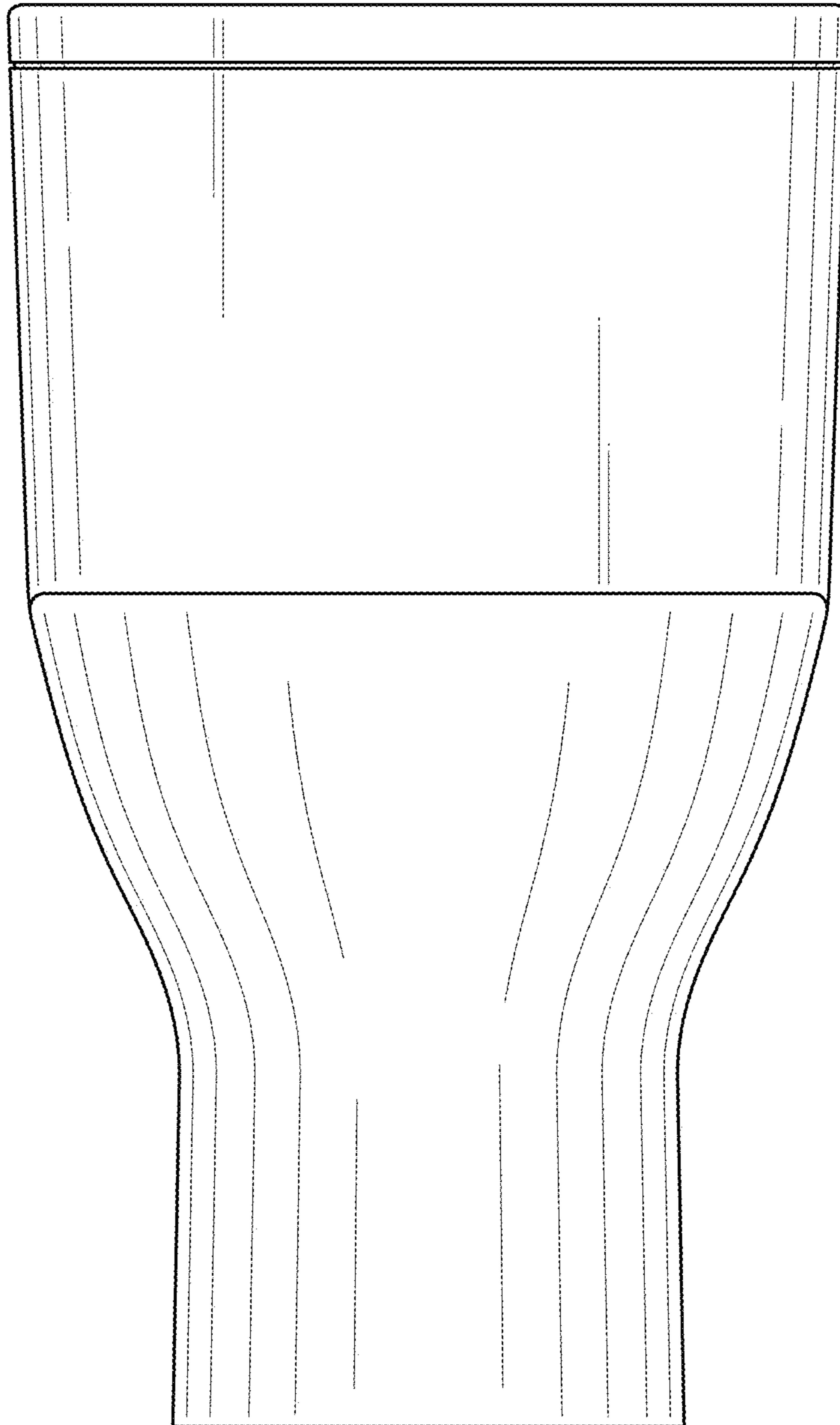


FIG. 4

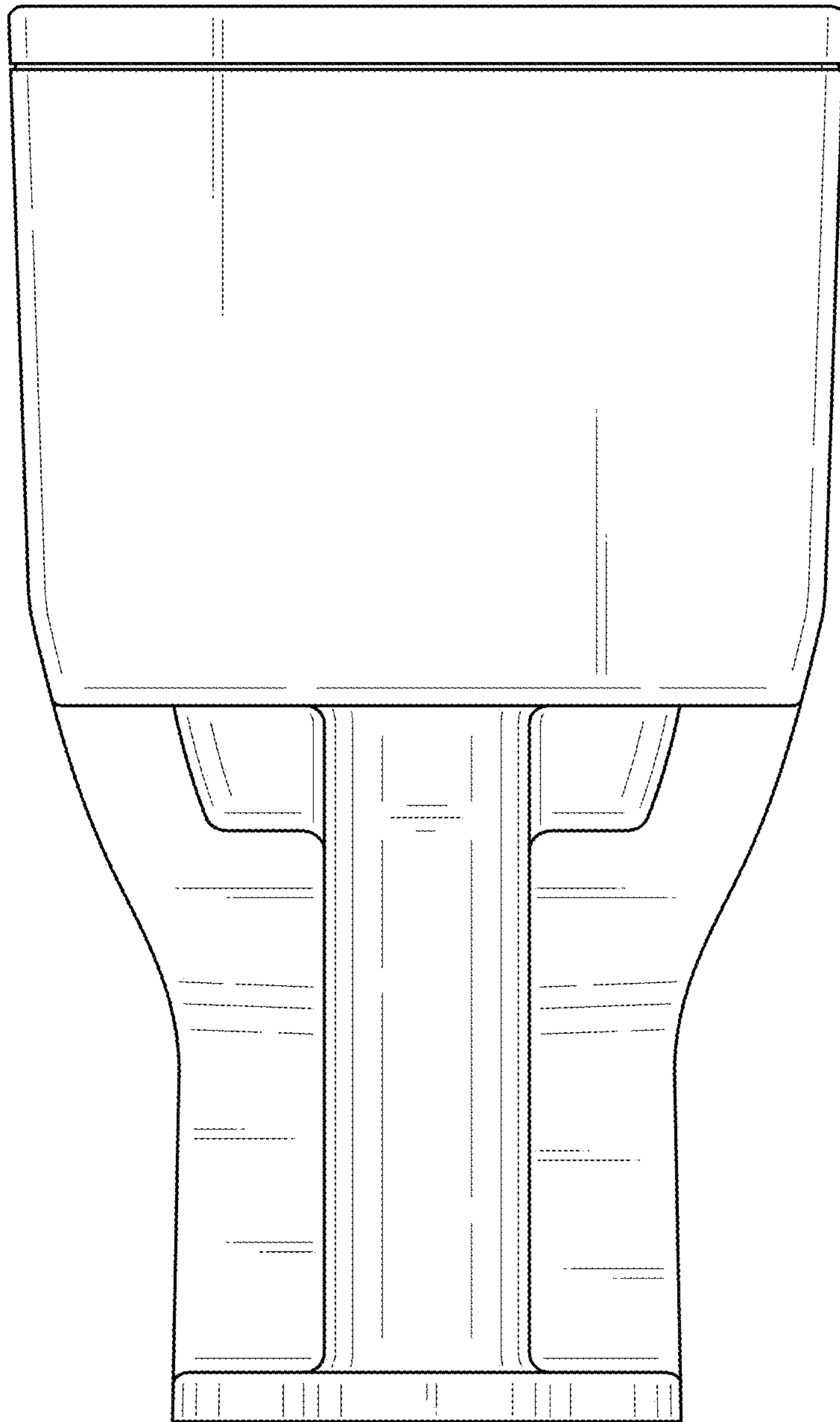


FIG. 5

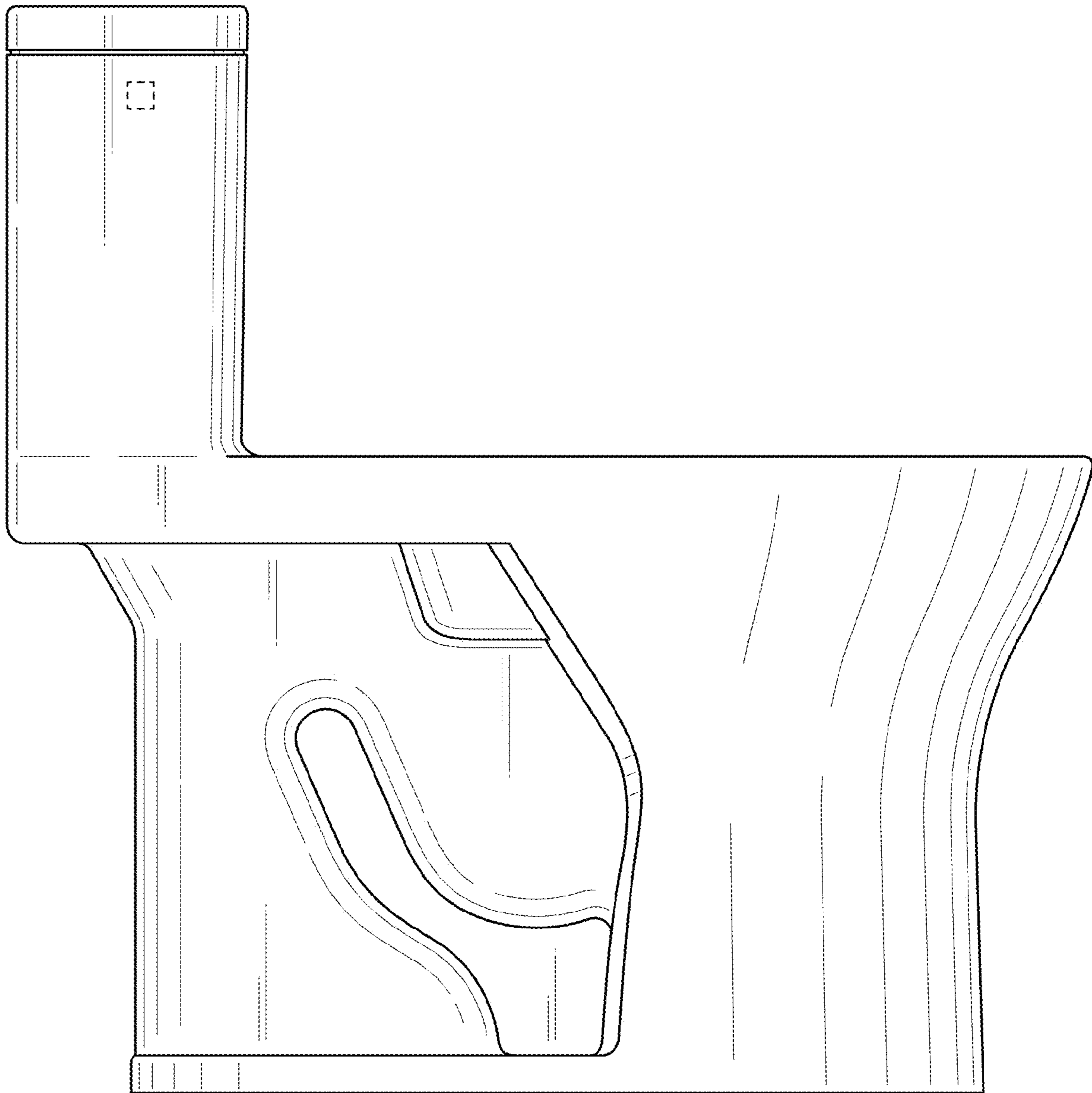


FIG. 6

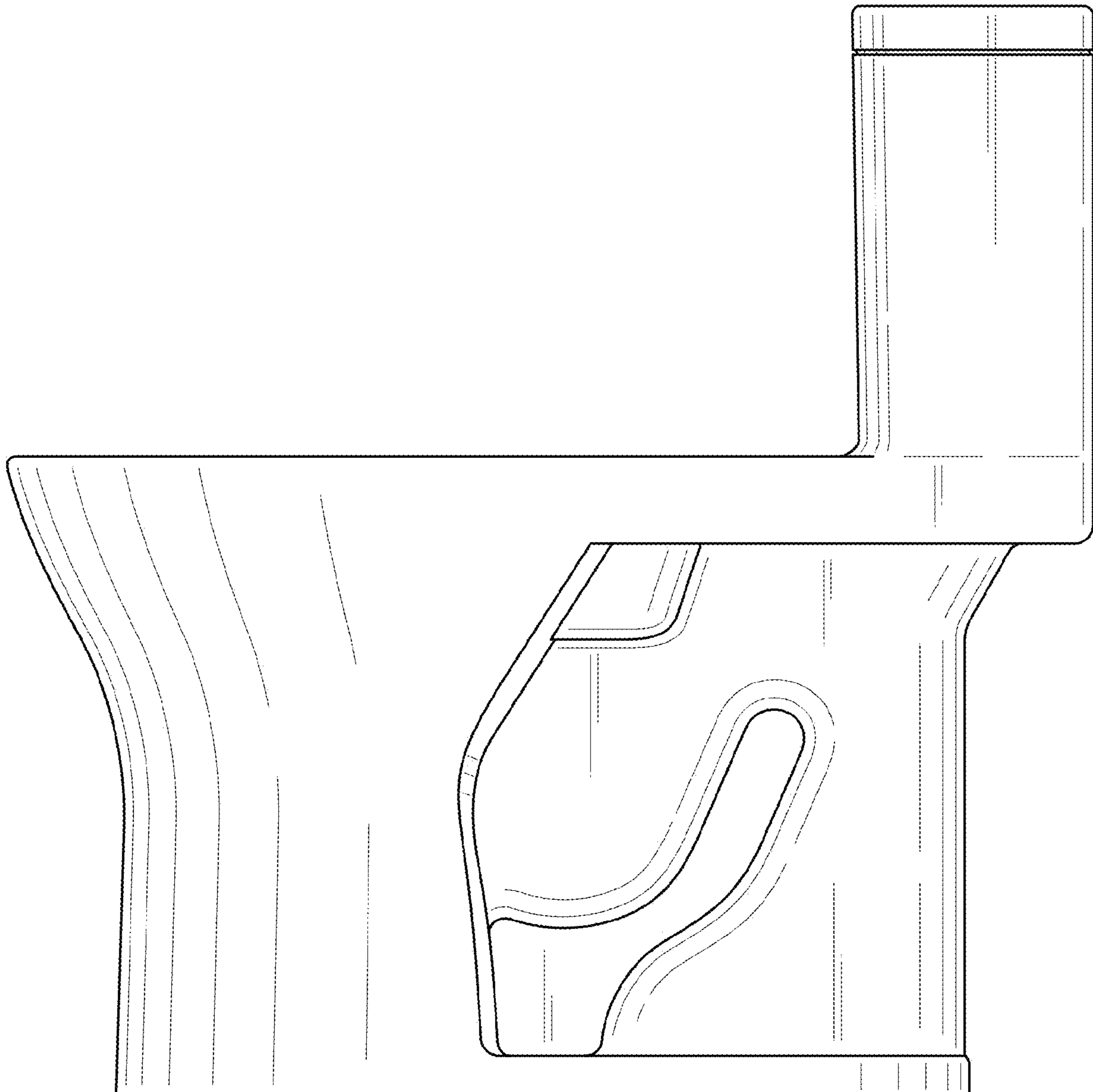


FIG. 7

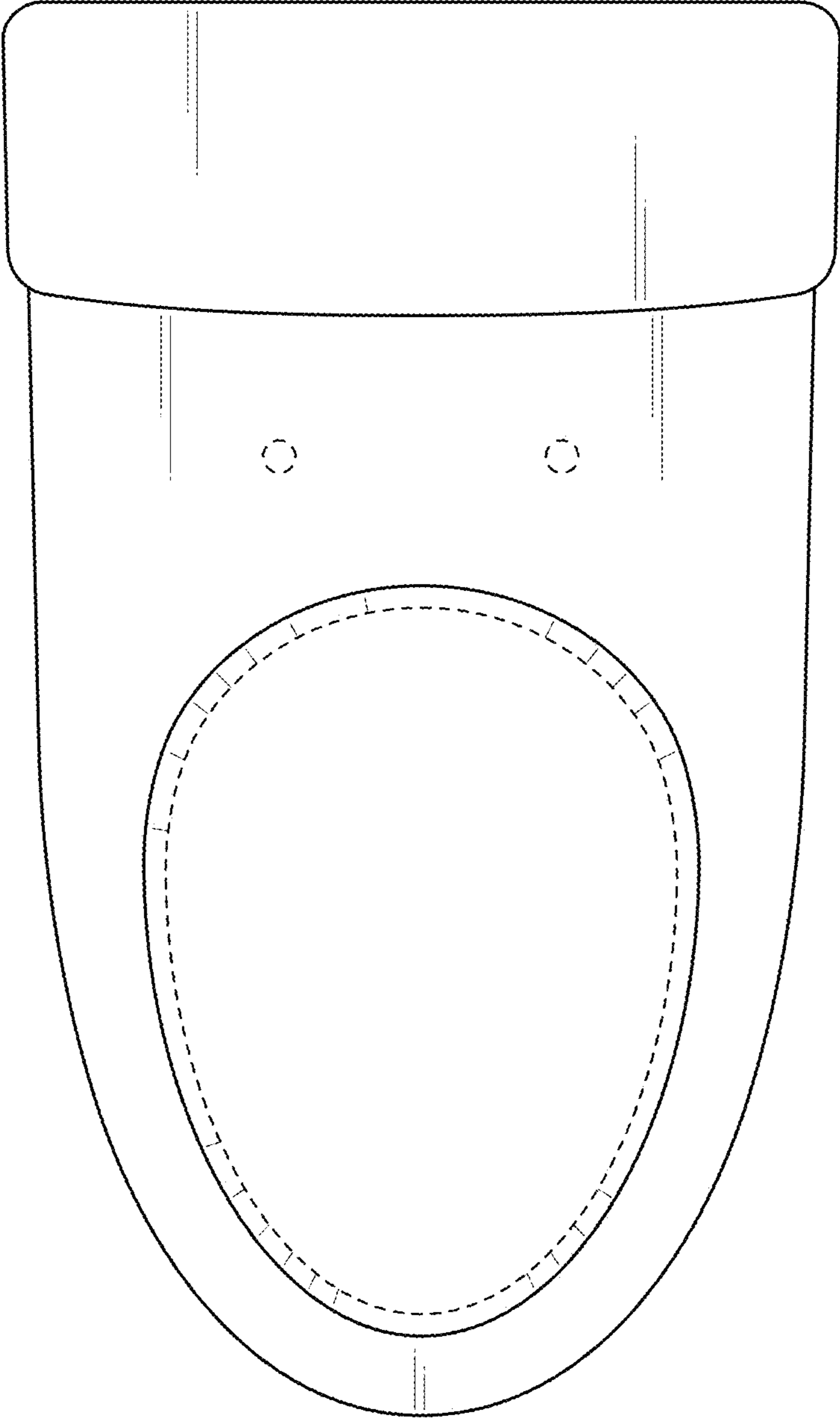


FIG. 8

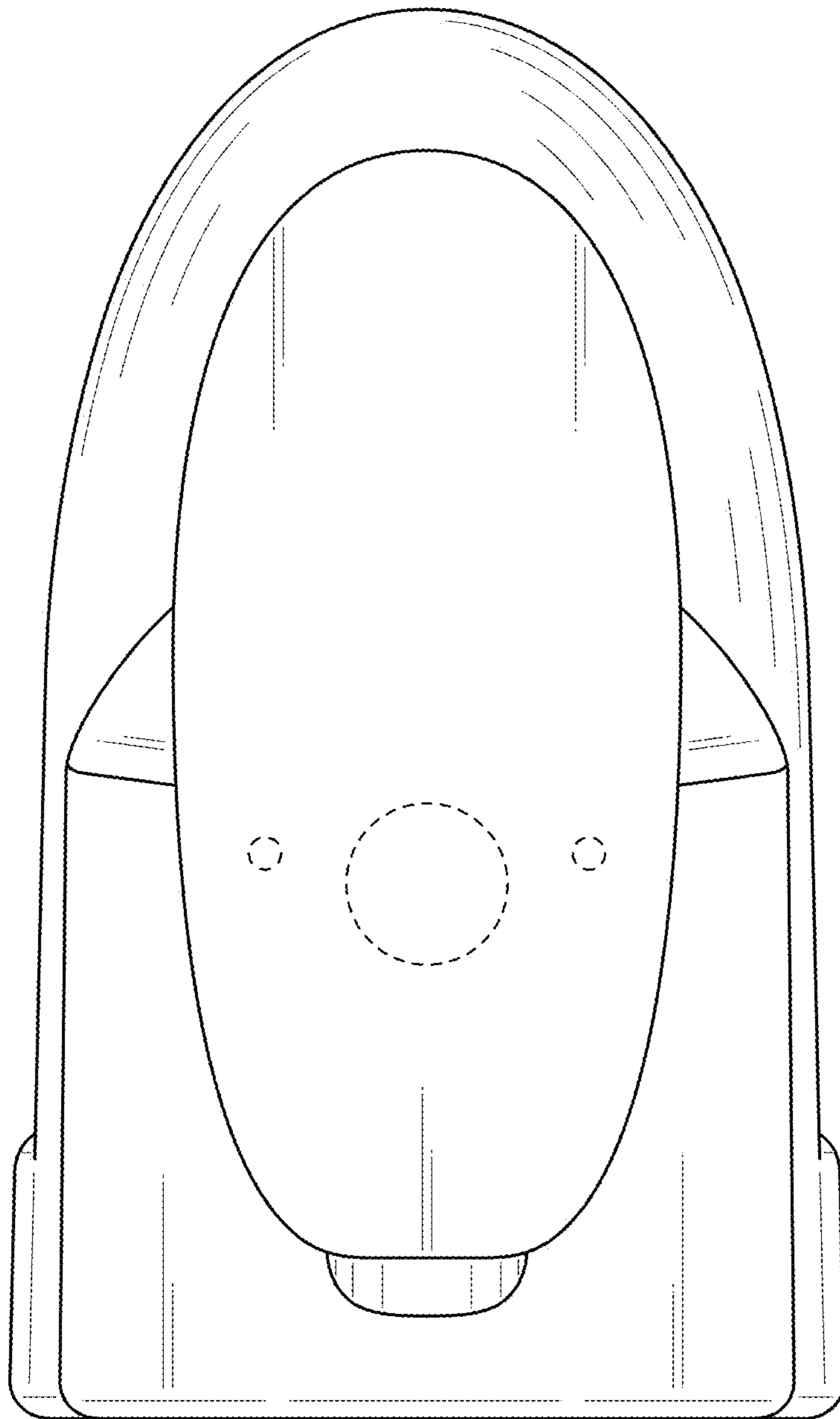


FIG. 9