



US00D884844S

(12) **United States Design Patent**
Osher

(10) **Patent No.:** **US D884,844 S**

(45) **Date of Patent:** **** May 19, 2020**

(54) **APRON SINK**

10,151,085 B2 * 12/2018 Chong A47K 1/04
D845,451 S * 4/2019 Swilley D23/308

(71) Applicant: **James T. Osher**, Marathon, FL (US)

* cited by examiner

(72) Inventor: **James T. Osher**, Marathon, FL (US)

Primary Examiner — Robert A Delehanty

(**) Term: **15 Years**

(74) *Attorney, Agent, or Firm* — Chris Whewell

(21) Appl. No.: **29/742,072**

(57) **CLAIM**

(22) Filed: **Nov. 18, 2019**

I claim the ornamental design for a apron sink, as shown and described.

Related U.S. Application Data

DESCRIPTION

(63) Continuation-in-part of application No. 29/651,243, filed on Feb. 26, 2018, now Pat. No. Des. 869,617.

(51) **LOC (12) Cl.** **23-01**

FIG. 1 is a perspective view of an apron sink;
FIG. 2 is an alternate perspective view thereof;

(52) **U.S. Cl.**

USPC **D23/284**

FIG. 3 is a frontal view thereof;

(58) **Field of Classification Search**

USPC D23/284, 293.1, 308, 201
See application file for complete search history.

FIG. 4 is a rear view thereof;

FIG. 5 is an overhead view thereof;

FIG. 6 is a side perspective view thereof; and,

FIG. 7 is a perspective view of the apron sink in an exemplary environment.

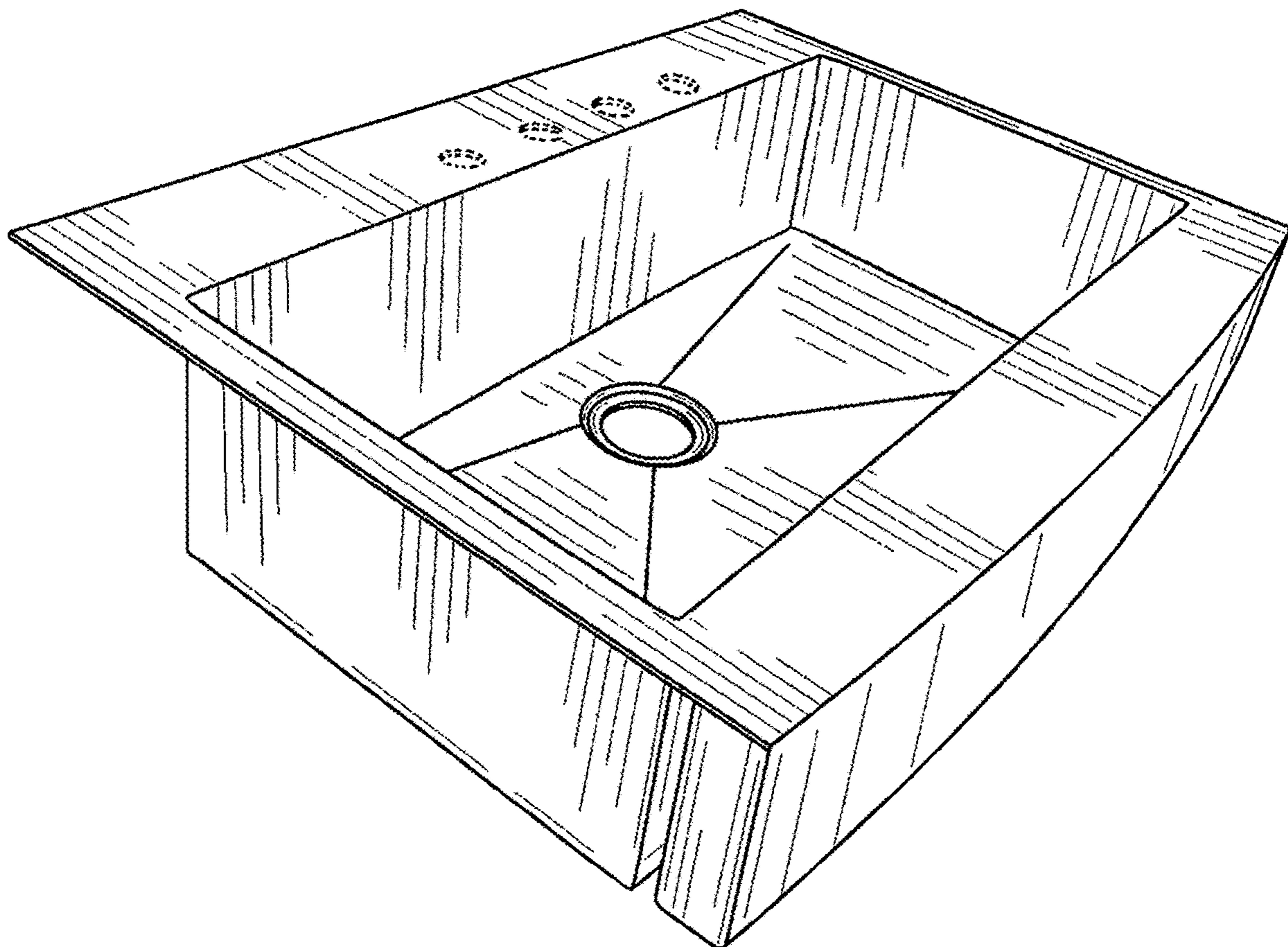
The broken lines shown represent unclaimed subject matter and form no part of the claimed design.

(56) **References Cited**

U.S. PATENT DOCUMENTS

D663,389 S * 7/2012 Miller D23/293.1

1 Claim, 5 Drawing Sheets



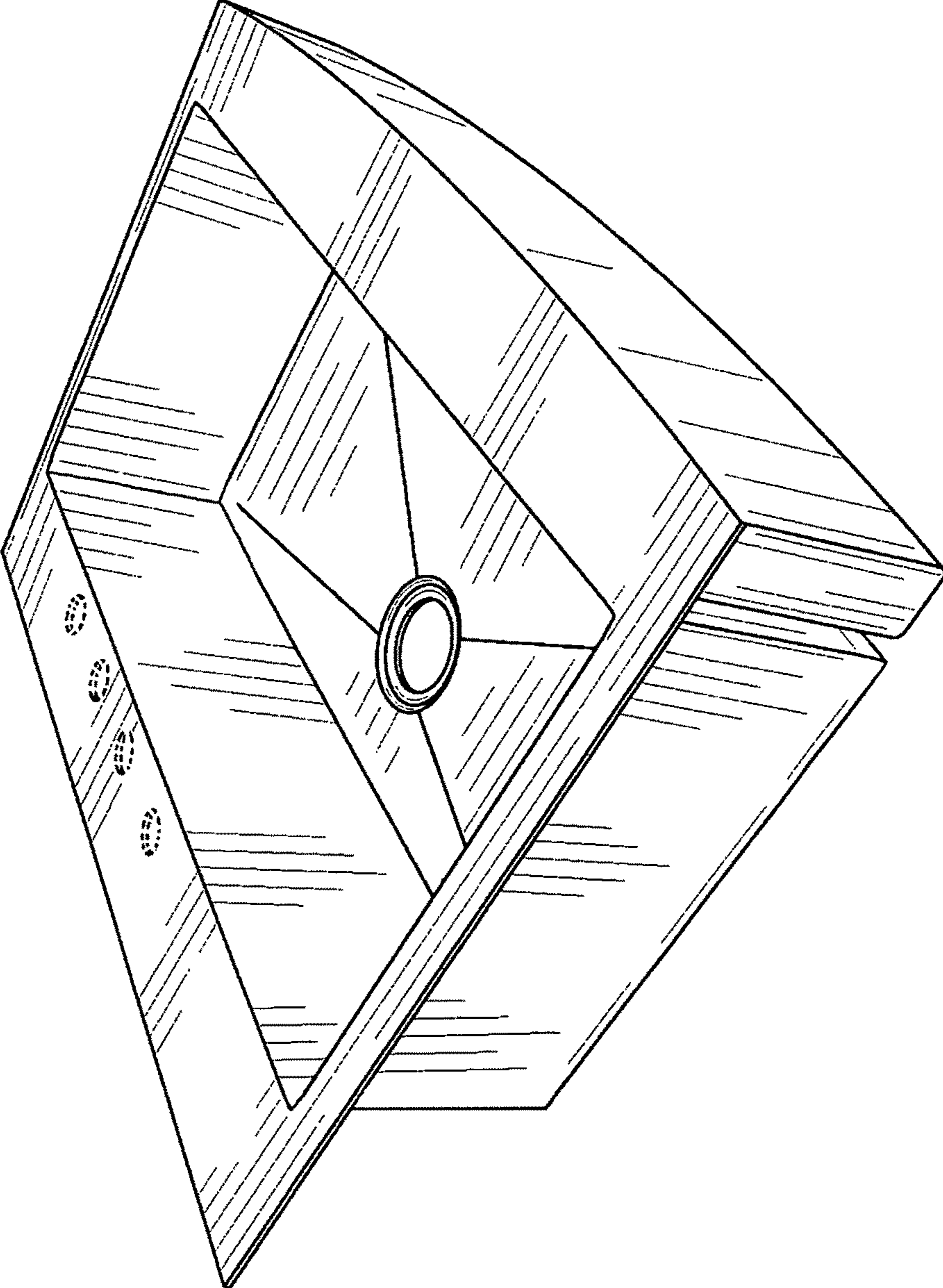


FIG. 1

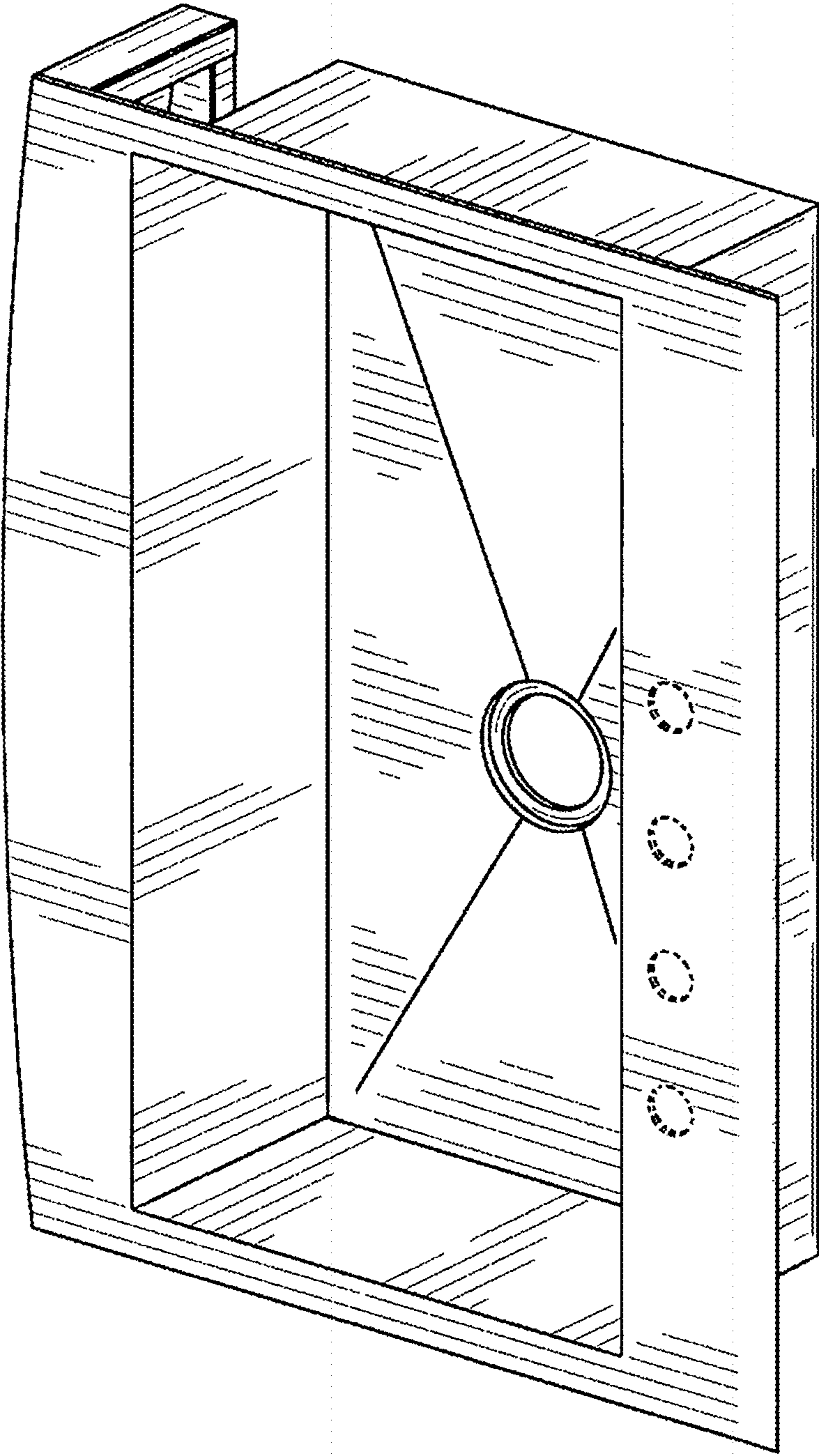


FIG. 2

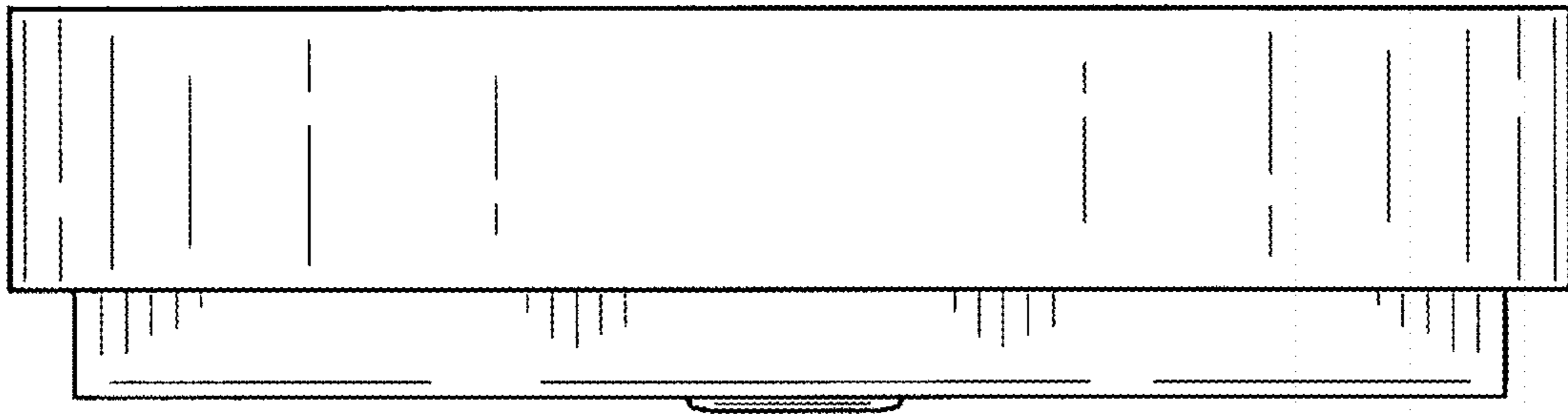


FIG. 3

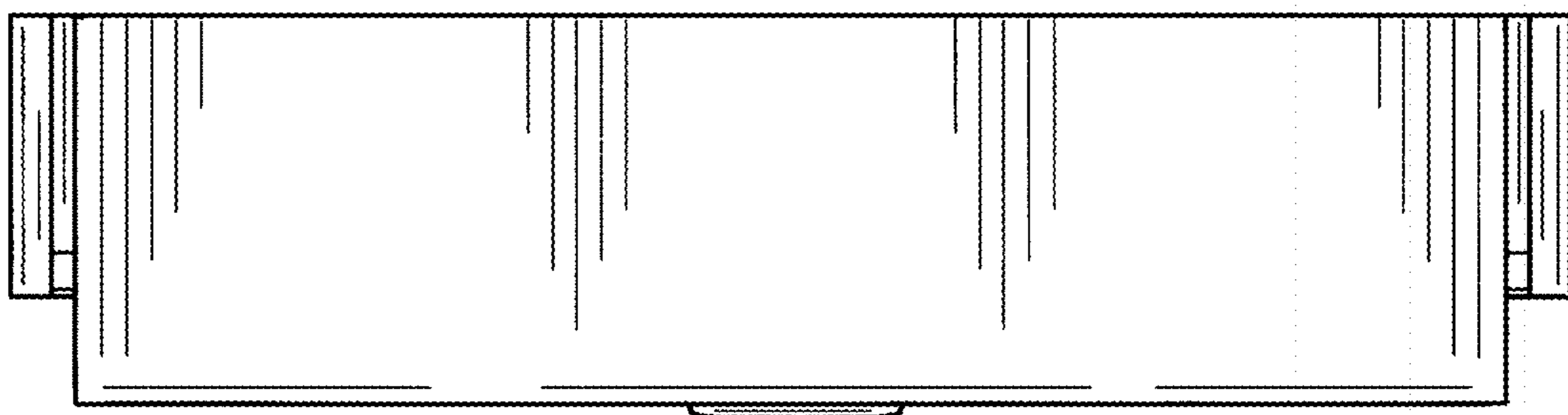


FIG. 4

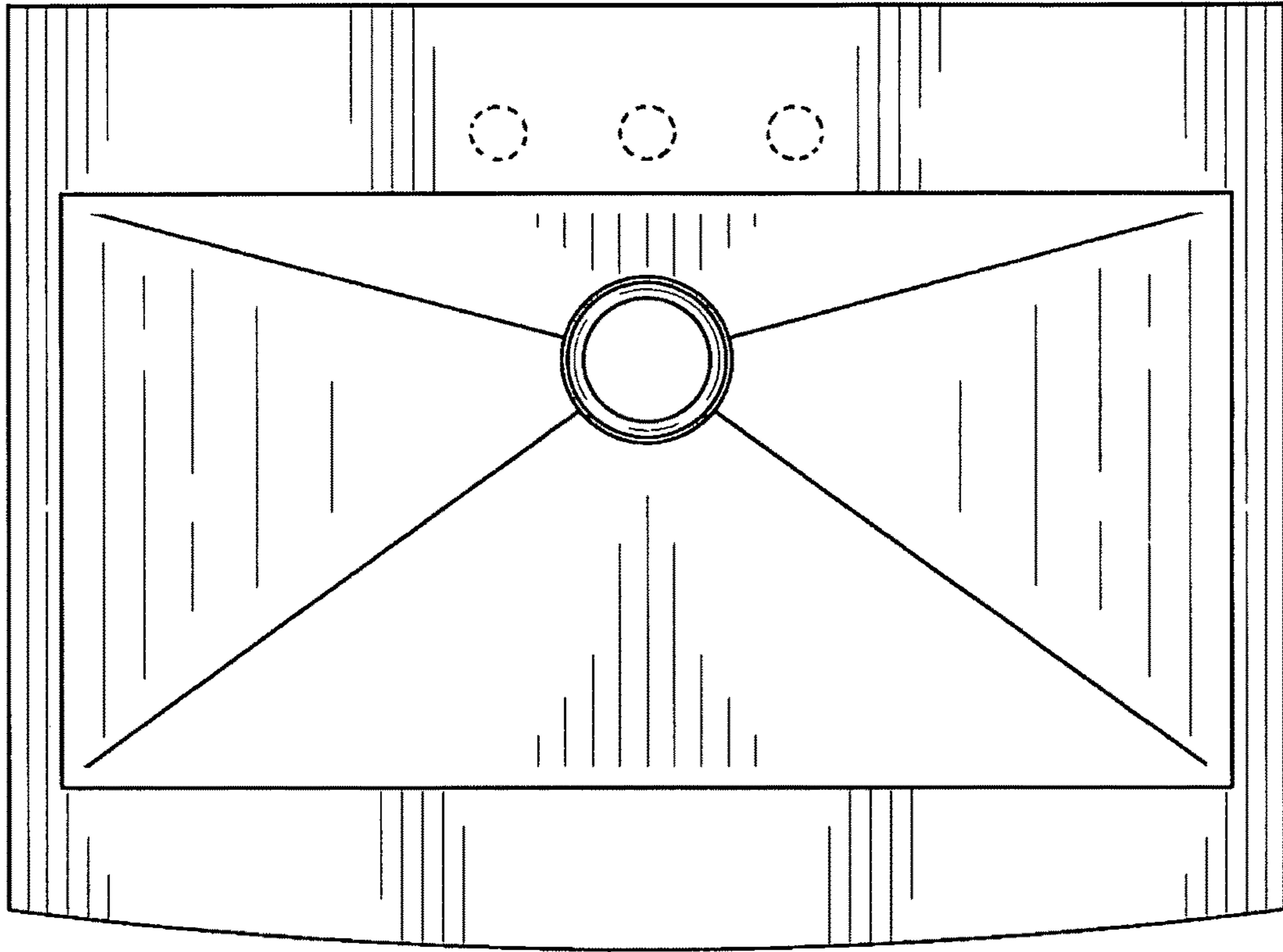


FIG. 5

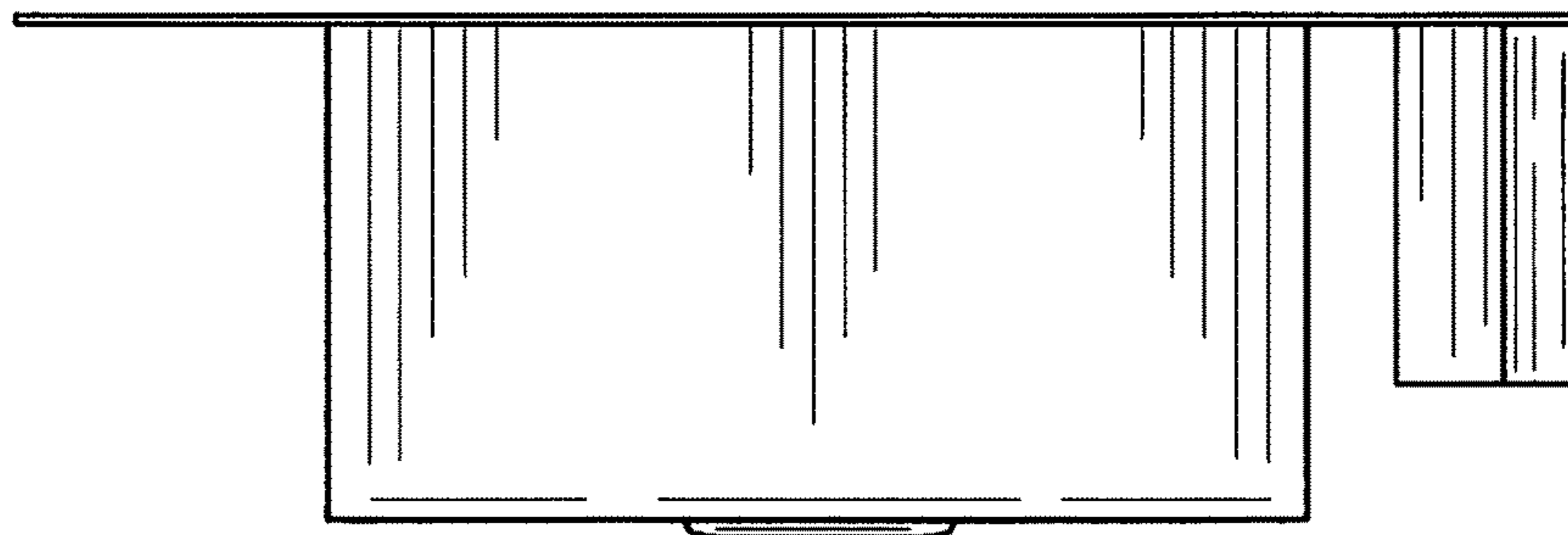


FIG. 6

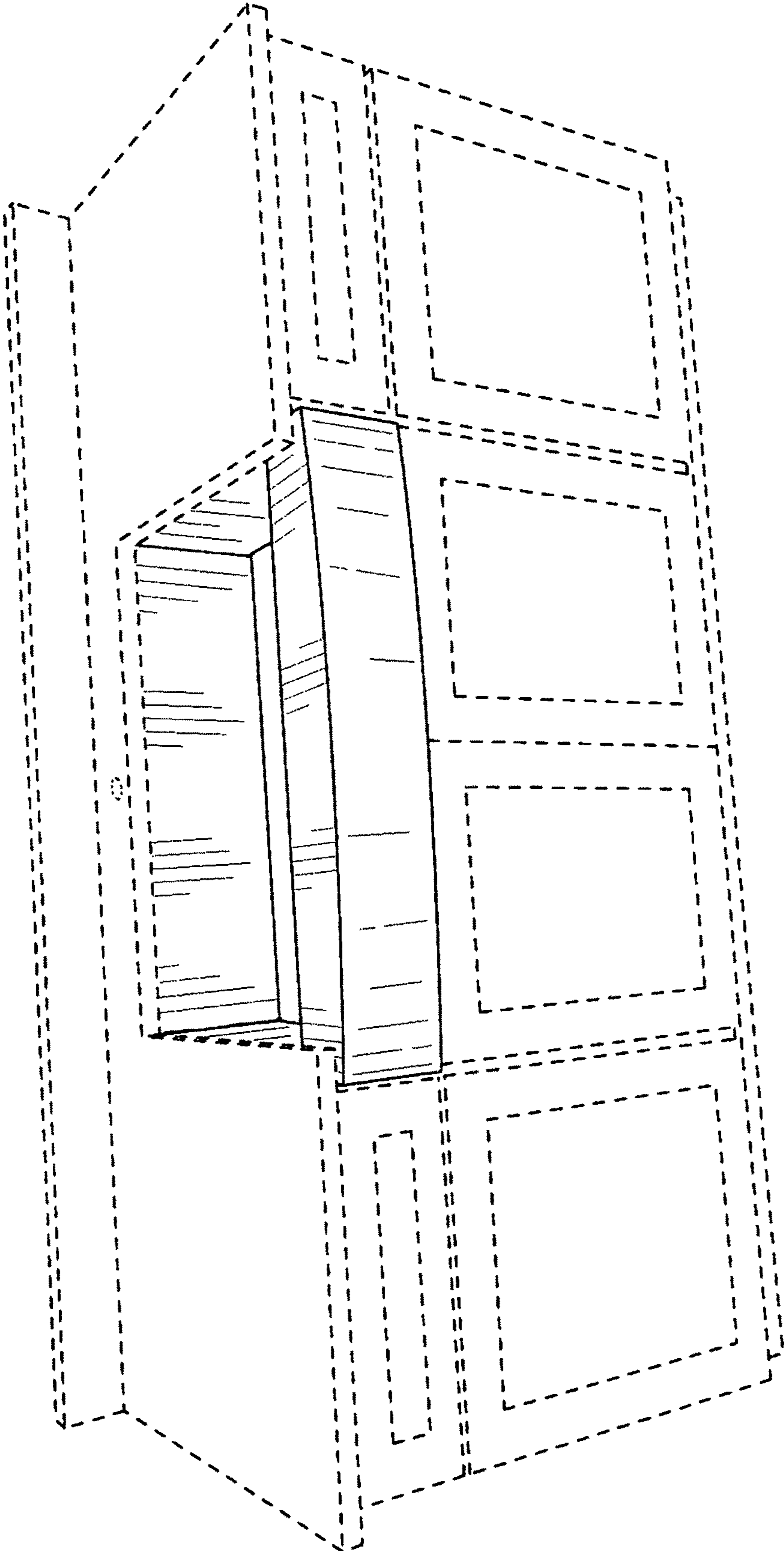


FIG. 7