



US00D884840S

(12) **United States Design Patent** (10) **Patent No.:** **US D884,840 S**  
**Langer** (45) **Date of Patent:** **\*\* May 19, 2020**

(54) **COUPLING**

(71) Applicant: **Colder Products Company**, St. Paul, MN (US)

(72) Inventor: **Elizabeth J. Langer**, Minneapolis, MN (US)

(73) Assignee: **Colder Products Company**, St. Paul, MN (US)

(\*\*) Term: **15 Years**

(21) Appl. No.: **29/670,361**

(22) Filed: **Nov. 15, 2018**

(51) **LOC (12) Cl.** ..... **23-01**

(52) **U.S. Cl.**  
USPC ..... **D23/262; D24/129**

(58) **Field of Classification Search**  
USPC ..... D23/259, 262–266, 245, 213, 233, 235; 285/197–200; 137/315.23; D8/382, 396; D13/133, 151; 138/110, 798, 109, 155, 138/96 T; D24/129, 110.6, 111, 133, D24/137–138, 108, 112

CPC ..... F16L 37/252; F16L 43/00; F16L 33/00; F16L 21/08; F16L 55/07; F16L 37/413

See application file for complete search history.

(56) **References Cited**

**U.S. PATENT DOCUMENTS**

7,469,472 B2 \* 12/2008 deCler ..... F16L 37/0841 264/279  
D687,528 S \* 8/2013 Meyer ..... D23/262  
D761,395 S \* 7/2016 Plackner ..... D23/262  
D788,890 S \* 6/2017 Downs ..... F16L 37/0841 D23/262

D801,486 S \* 10/2017 Wildfang ..... D23/262  
10,041,616 B2 \* 8/2018 Danielson ..... F16L 25/14  
D830,523 S \* 10/2018 Vranish ..... D23/262  
10,151,409 B2 \* 12/2018 Johnson ..... A61M 39/1011  
2010/0019487 A1 \* 1/2010 deCler ..... F16L 37/0841 285/308  
2013/0092271 A1 \* 4/2013 Downs ..... F16L 37/0841 137/798  
2013/0300108 A1 \* 11/2013 Frick ..... F16L 37/0841 285/319  
2015/0090915 A1 4/2015 Vranish  
2015/0260325 A1 \* 9/2015 Quick ..... F16L 37/26 285/326  
2016/0102791 A1 \* 4/2016 Johnson ..... A61M 39/1011 137/798  
2016/0305574 A1 \* 10/2016 Burdge ..... A61M 39/1011  
2017/0067588 A1 \* 3/2017 Chaupin ..... F16L 37/0885

\* cited by examiner

*Primary Examiner* — Amy C Wierenga

(74) *Attorney, Agent, or Firm* — Fish & Richardson P.C.

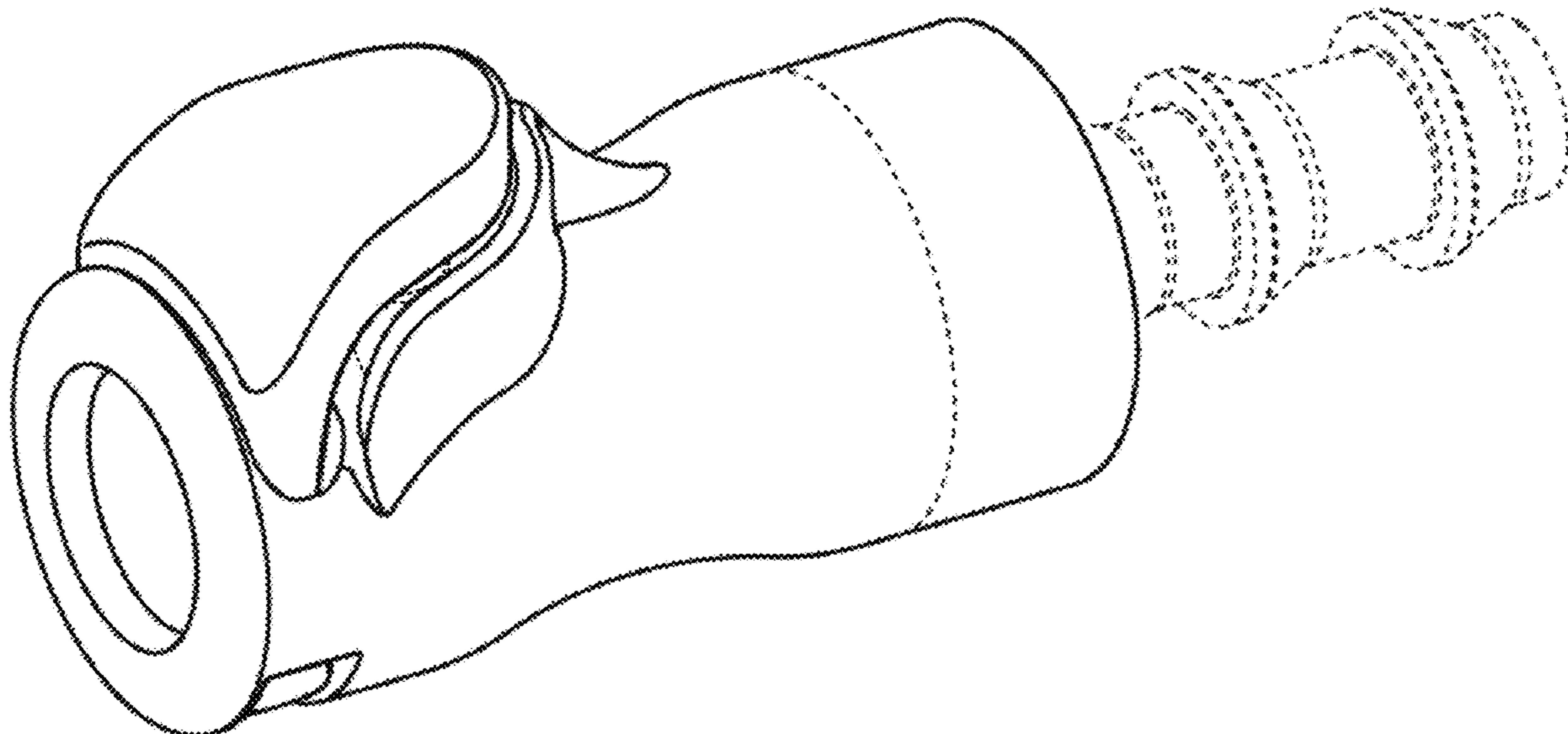
(57) **CLAIM**

The ornamental design for a coupling substantially, as shown and described.

**DESCRIPTION**

FIG. 1 is a perspective view of the coupling.  
FIG. 2 is a front view of the coupling of FIG. 1.  
FIG. 3 is a back view of the coupling of FIG. 1.  
FIG. 4 is a right side view of the coupling of FIG. 1.  
FIG. 5 is a top view of the coupling of FIG. 1; and,  
FIG. 6 is a bottom view of the coupling of FIG. 1.  
The evenly dashed broken lines illustrate portions of the coupling that form no part of the claim.

**1 Claim, 2 Drawing Sheets**



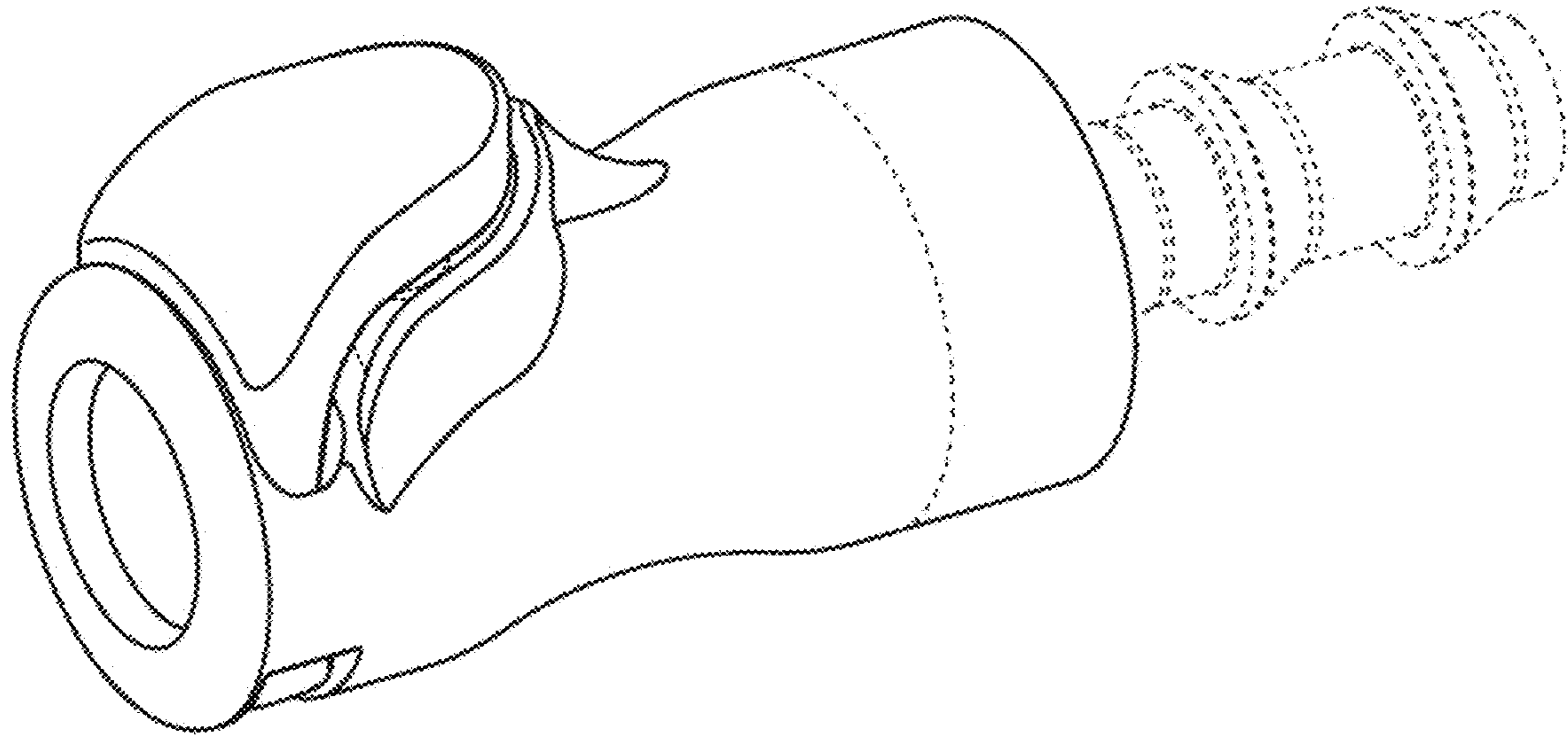


FIG. 1

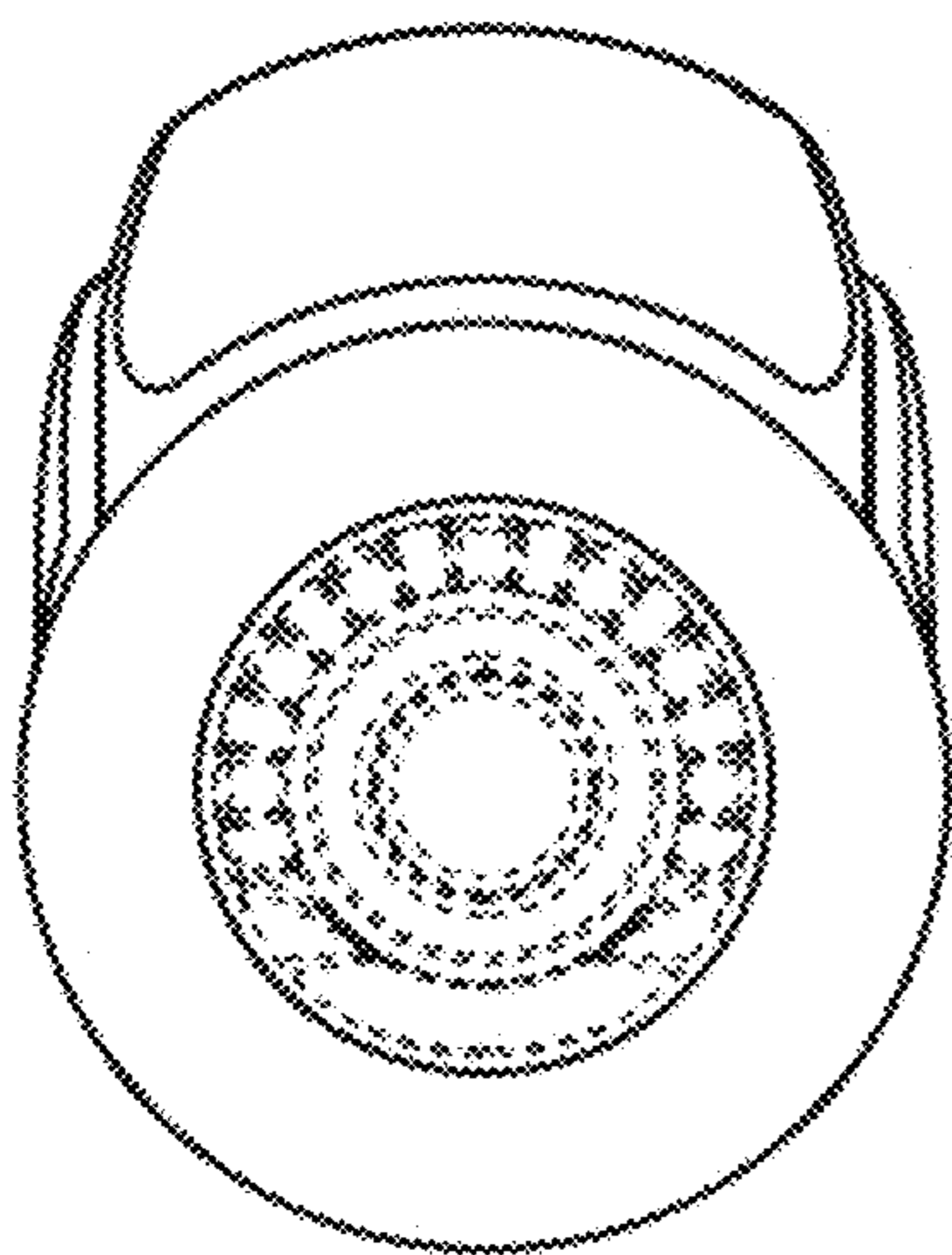


FIG. 2

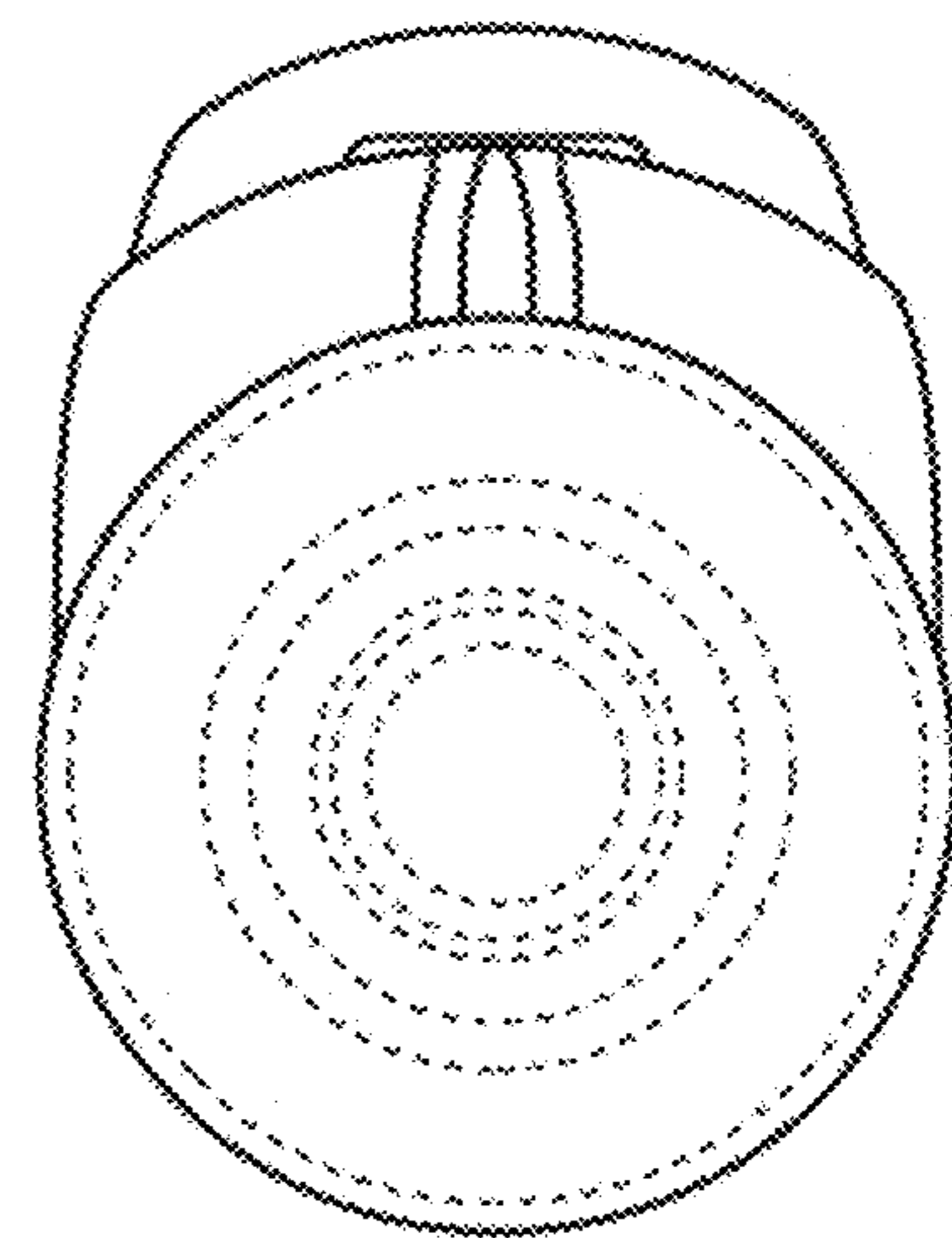


FIG. 3

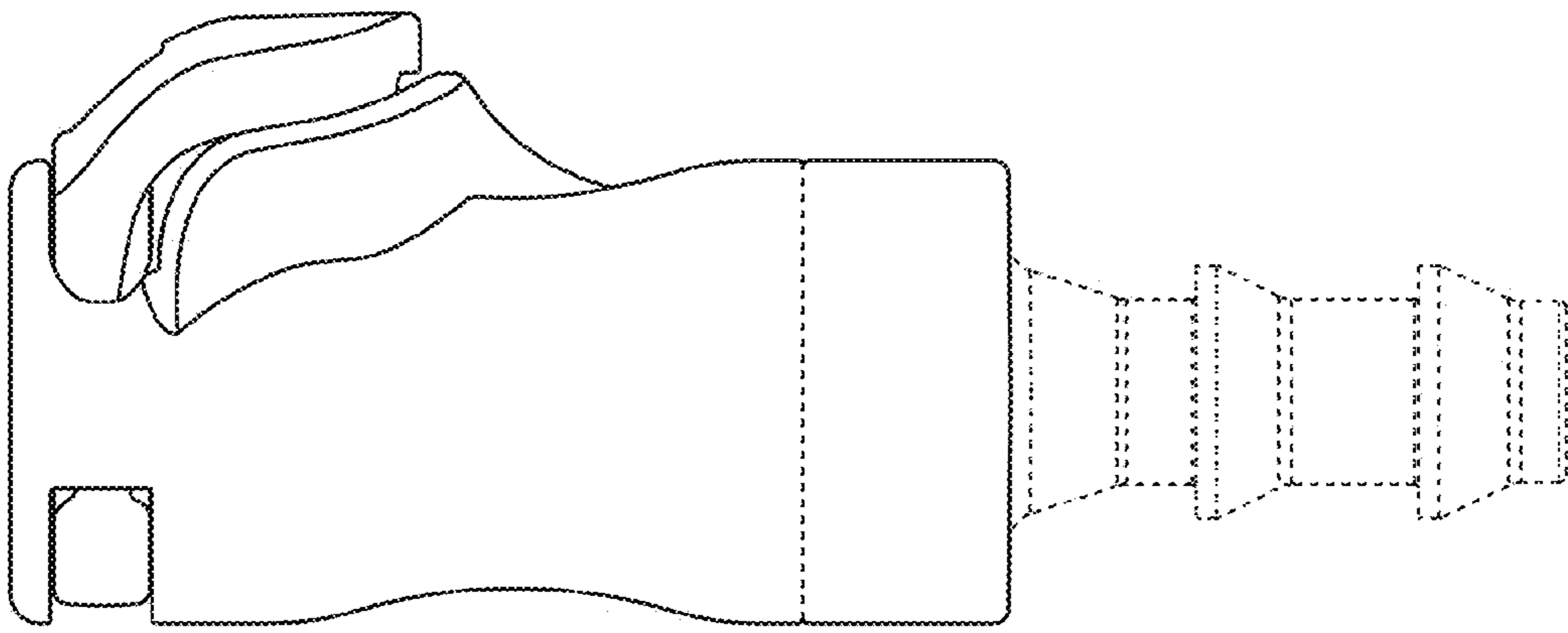


FIG. 4

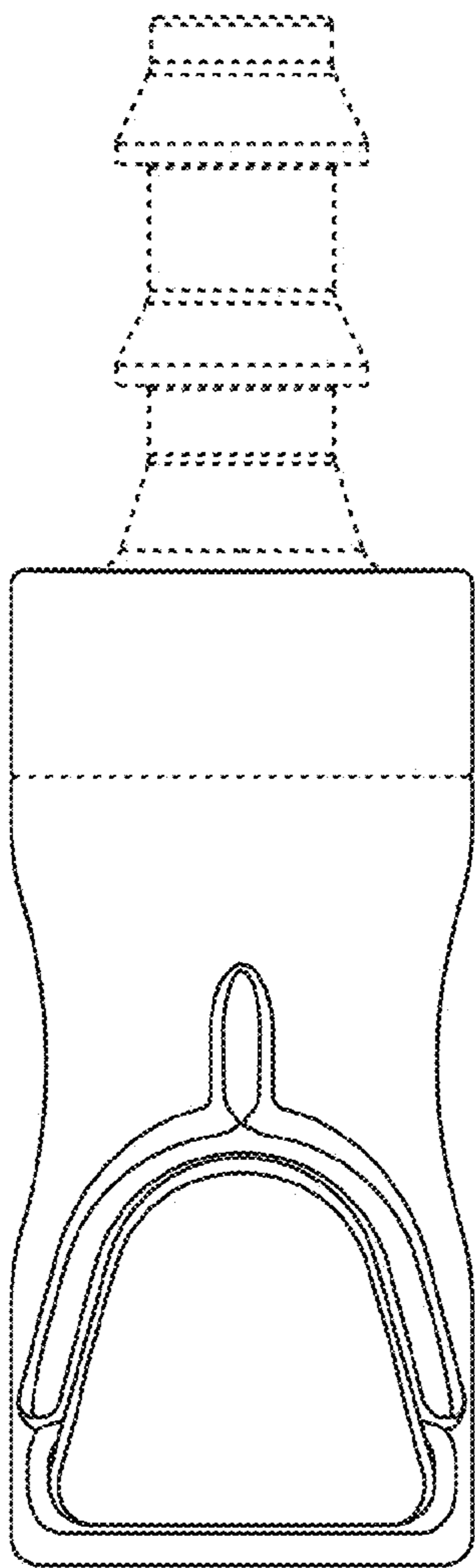


FIG. 5

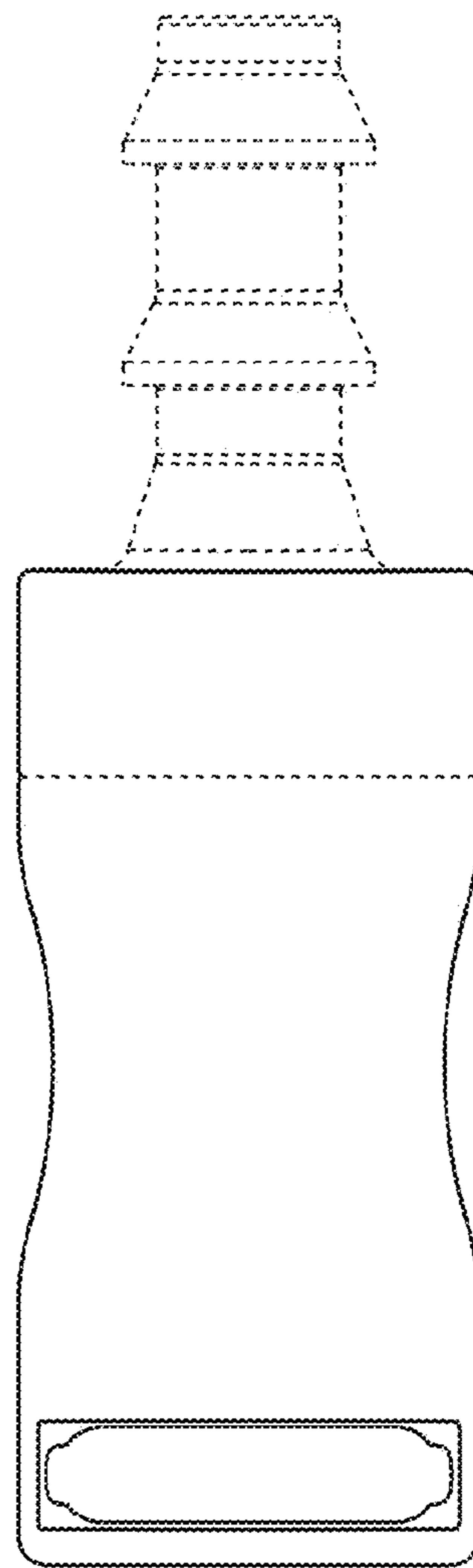


FIG. 6