



US00D884839S

(12) **United States Design Patent**
Ball et al.

(10) **Patent No.:** **US D884,839 S**

(45) **Date of Patent:** **** May 19, 2020**

(54) **STRAINER**

(71) Applicant: **WCM Industries, Inc.**, Colorado Springs, CO (US)

(72) Inventors: **William T. Ball**, Colorado Springs, CO (US); **Eric Pilarczyk**, Colorado Springs, CO (US)

(73) Assignee: **WCM Industries, Inc.**, Colorado Springs, CO (US)

(**) Term: **15 Years**

(21) Appl. No.: **29/707,160**

(22) Filed: **Sep. 26, 2019**

Related U.S. Application Data

(62) Division of application No. 29/637,068, filed on Feb. 13, 2018.

(51) **LOC (12) Cl.** **23-01**

(52) **U.S. Cl.**
USPC **D23/261**

(58) **Field of Classification Search**
USPC D23/259, 263, 260, 209, 261, 303-304, D23/310, 388, 268; 4/178.22, 222.1, 4/255.01-255.12, 256.1, 286-295, 309, 4/490, 507, 596, 652, 164, 488, 504, 509, 4/695-696, 671-675, 679-682; 220/203.1, 241, 780, 787, 789; 137/247.35; 210/164, 166, 167.1, 210/167.15-167.16

CPC A47K 3/40
See application file for complete search history.

(56) **References Cited**

U.S. PATENT DOCUMENTS

287,246 A 10/1883 Coomber
765,131 A 7/1904 Crosswell
843,968 A 2/1907 Sharp

917,395 A 4/1909 Wise
928,032 A 7/1909 Dawes et al.
944,046 A 12/1909 Perkins
1,092,579 A 4/1914 Kohler
1,330,909 A 2/1920 Sharp
1,334,407 A 3/1920 Sharp
1,388,327 A 8/1921 Cornelius
1,511,017 A * 10/1924 Binder E03C 1/262
4/287
2,695,678 A 11/1954 Sisk
2,859,453 A 11/1958 Leon
3,380,081 A 4/1968 Eilertson
(Continued)

FOREIGN PATENT DOCUMENTS

WO 02/063109 8/2002
WO 2006074504 7/2006

OTHER PUBLICATIONS

Official Action for U.S. Appl. No. 14/208,970, dated Aug. 13, 2015, 15 pages.

(Continued)

Primary Examiner — Karen E Kearney
Assistant Examiner — Amy C Wierenga

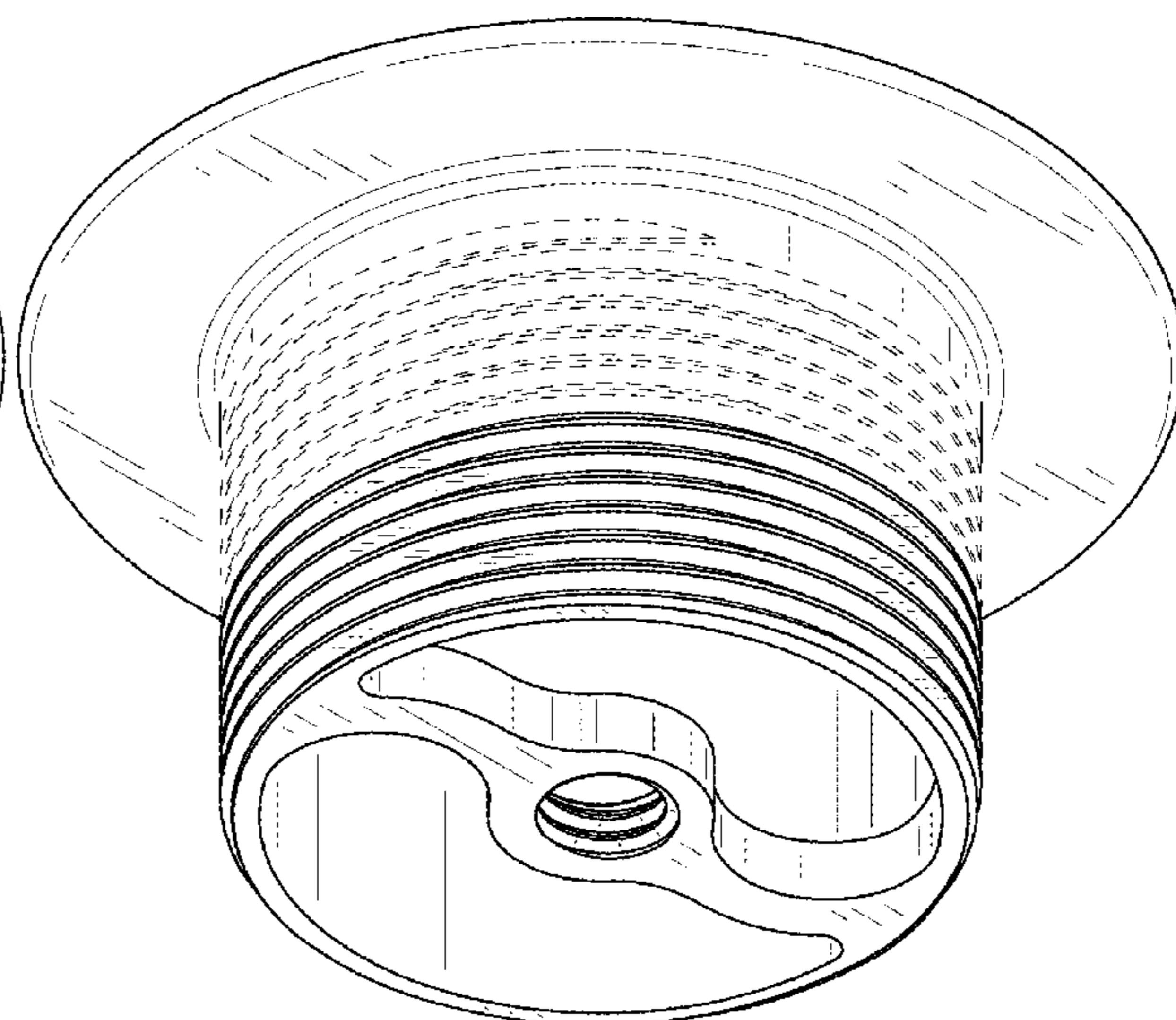
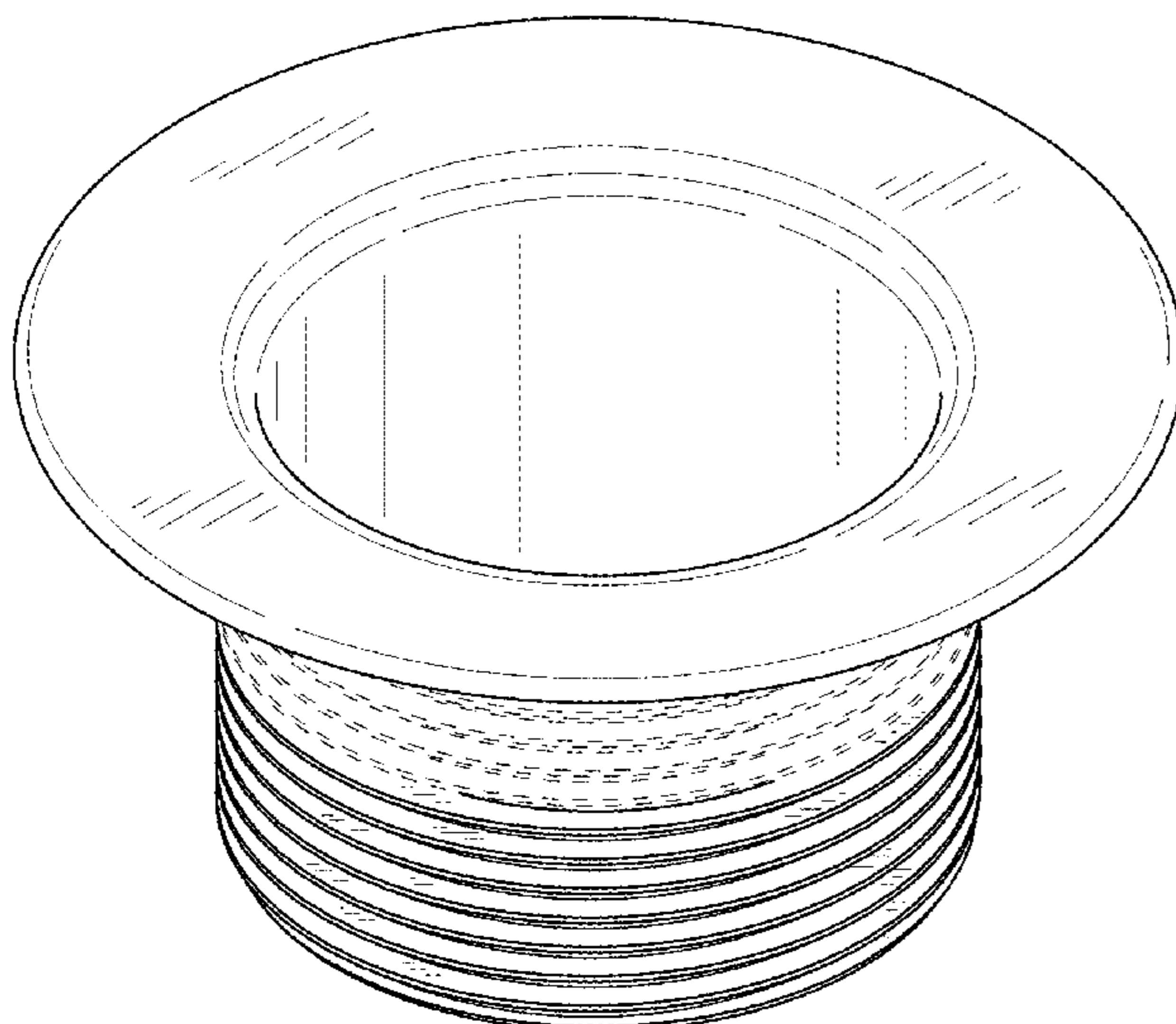
(57) **CLAIM**

The ornamental design for a strainer, as shown and described.

DESCRIPTION

FIG. 1 is a top perspective view of an exemplary strainer. FIG. 2 is a bottom perspective view of the strainer of FIG. 1. FIG. 3 is a side elevation view of the strainer of FIG. 1. FIG. 4 is a top plan view of the strainer of FIG. 1; and, FIG. 5 is a bottom plan view of the strainer of FIG. 1. The broken lines depict the unclaimed portions of the strainer and form no part of the claimed design.

1 Claim, 5 Drawing Sheets



(56)

References Cited

U.S. PATENT DOCUMENTS

3,393,409	A	7/1968	Politz	
4,138,747	A	2/1979	Zijlstra	
4,144,599	A	3/1979	Cuschera	
4,339,832	A	7/1982	Cuschera	
5,692,248	A	12/1997	Ball	
5,758,368	A	6/1998	Ball	
5,832,545	A	11/1998	Pan	
D402,354	S *	12/1998	Strong	D23/259
6,066,119	A	5/2000	Ball	
6,226,806	B1	5/2001	Ball	
6,317,906	B1	11/2001	Ball	
6,418,570	B1	7/2002	Ball	
7,150,576	B1	12/2006	Kambeyanda	
8,424,123	B2	4/2013	Svensson	
8,813,272	B2 *	8/2014	Ball	E03C 1/262 4/286
D717,405	S *	11/2014	Coronado	D23/259
9,234,337	B2	1/2016	Ball	
D762,825	S *	8/2016	Walker	D23/259
9,593,473	B2	3/2017	Schulze	
9,637,897	B2	5/2017	Ball	
9,657,469	B2 *	5/2017	Edmonds	E03C 1/2306
9,714,504	B2 *	7/2017	Bird	E03C 1/24
9,890,523	B2	2/2018	Ball	
D817,463	S *	5/2018	Curley	D23/260
2001/0007159	A1 *	7/2001	Ball	A47K 1/14 4/679
2006/0064809	A1	3/2006	Isgro	
2008/0290012	A1 *	11/2008	Shih	E03F 5/0407 210/163
2010/0000012	A1	1/2010	Evans	
2010/0275364	A1	11/2010	Torres et al.	
2013/0269100	A1 *	10/2013	Ball	E03C 1/23 4/693
2014/0053328	A1	2/2014	Chen	
2014/0182053	A1 *	7/2014	Huang	A47K 1/14 4/286
2014/0259346	A1 *	9/2014	Ball	E03C 1/264 4/292

2014/0325748	A1	11/2014	Ball	
2015/0040312	A1 *	2/2015	Yang	A47K 1/14 4/679
2018/0100299	A1	4/2018	Ball	
2018/0305910	A1 *	10/2018	Heipp	E03C 1/232

OTHER PUBLICATIONS

Official Action for U.S. Appl. No. 14/208,970, dated Jan. 14, 2016, 10 pages.
 Official Action for U.S. Appl. No. 14/208,970, dated May 25, 2016, 11 pages.
 Official Action for U.S. Appl. No. 14/208,970, dated Sep. 19, 2016, 17 pages.
 Notice of Allowance for U.S. Appl. No. 14/208,970, dated Dec. 27, 2016, 8 pages.
 U.S. Appl. No. 15/438,848, Office Action dated May 16, 2017, 12 pages.
 U.S. Appl. No. 15/438,848, Notice of Allowance dated Sep. 20, 2017, 9 pages.
 U.S. Appl. No. 15/839,201, Office Action dated Apr. 19, 2018, 21 pages.
 WATCO Bushing strainer, Part No. 01033CP, Date of first sale May 28, 2002, 1 page.
 WATCO NuFit L&T, Part No. 01044CP, Date of first sale Mar. 10, 1998, 1 page.
 WATCO Lav Drain, Part No. 11432CP, Date of first sale Jan. 10, 2005, 1 page.
 U.S. Appl. No. 15/839,201, Office Action dated Nov. 29, 2018, 16 pages.
 U.S. Appl. No. 15/839,201, Office Action dated Jun. 12, 2019, 18 pages.
 U.S. Appl. No. 29/637,068, Restriction Requirement dated Aug. 8, 2019, 7 pages.
 U.S. Appl. No. 15/839,201, Office Action dated Oct. 2, 2019, 14 pages.
 U.S. Appl. No. 29/637,068, Notice of Allowance dated Jan. 15, 2020, 7 pages.

* cited by examiner

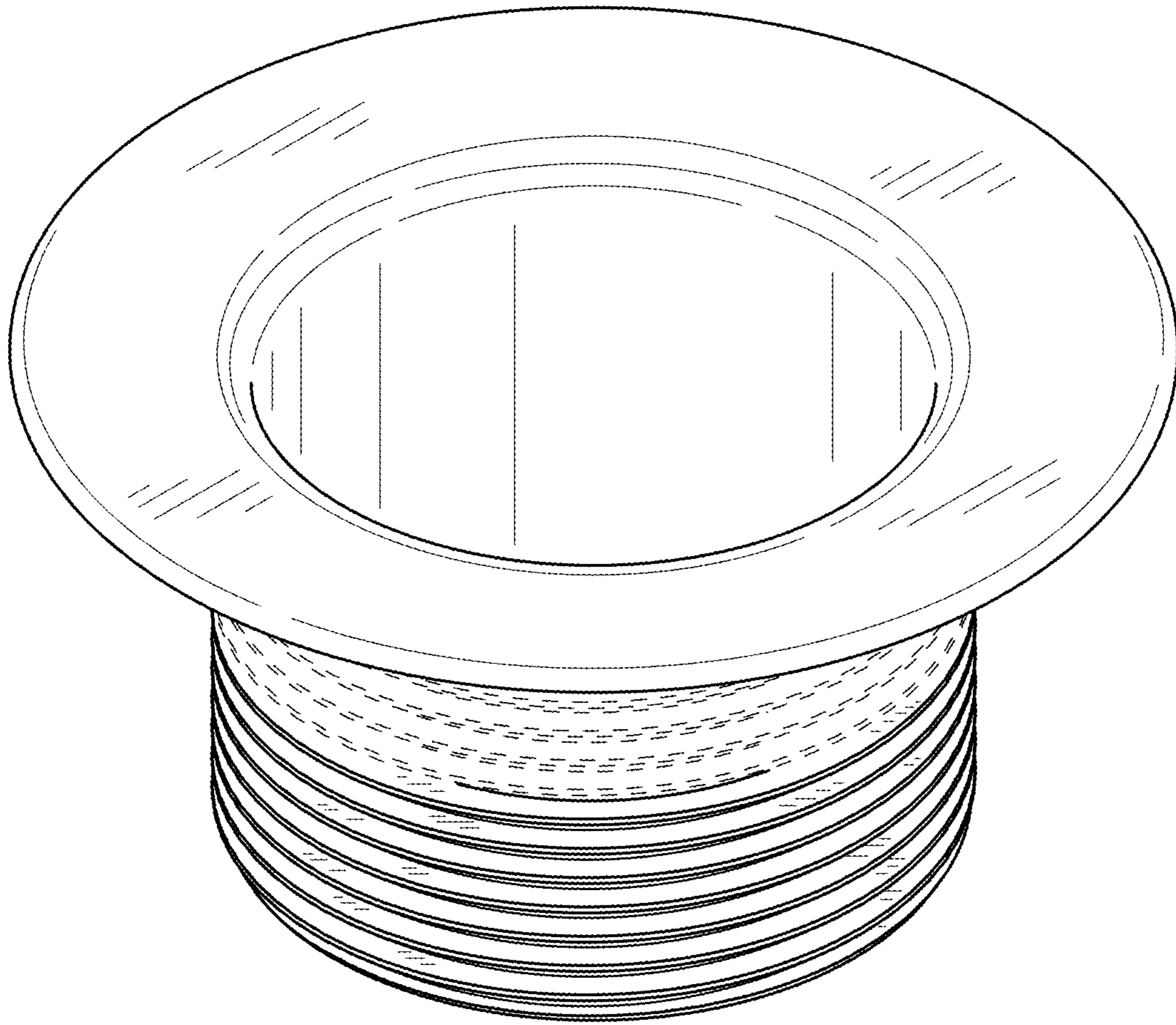


FIG. 1

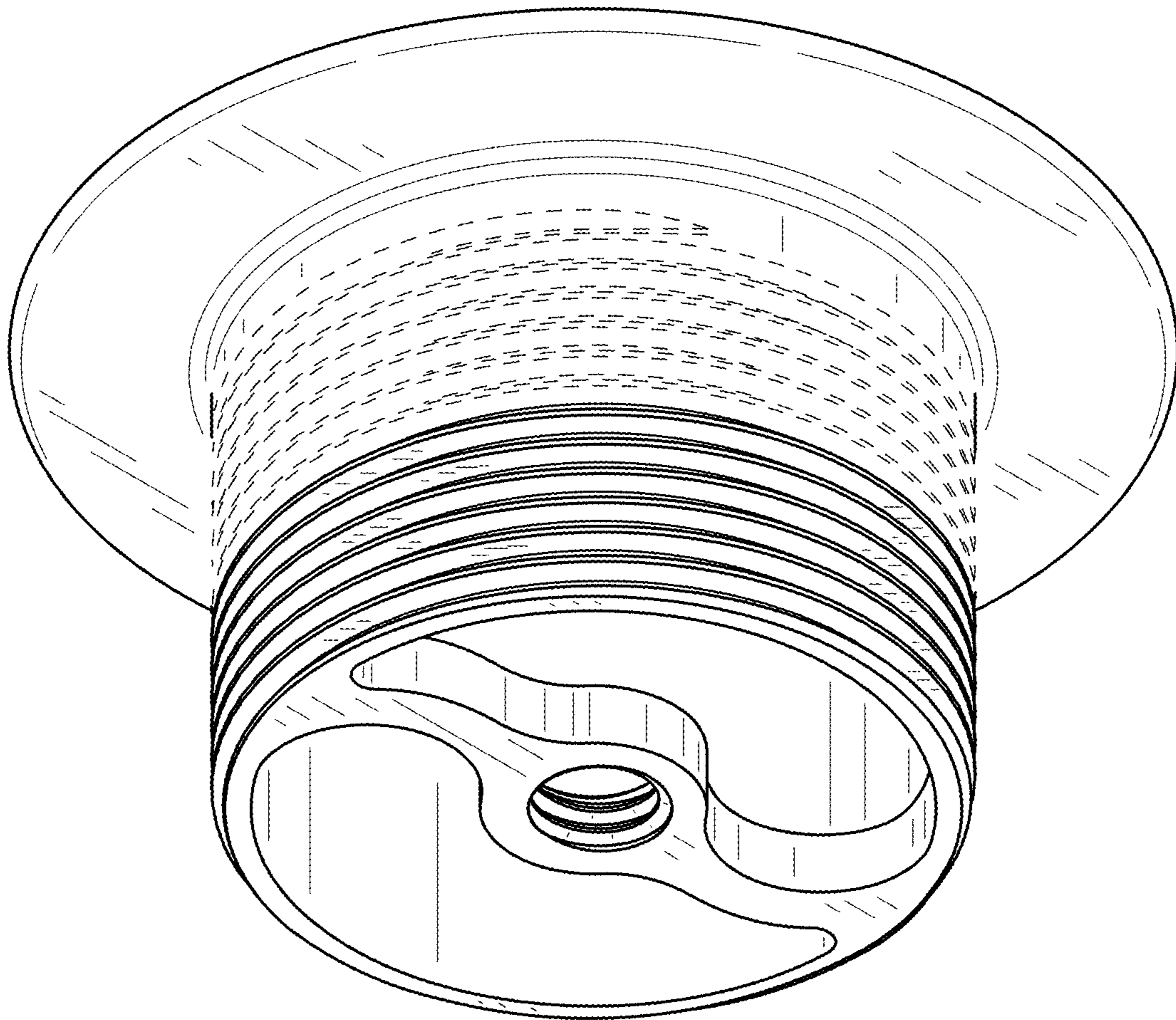


FIG.2

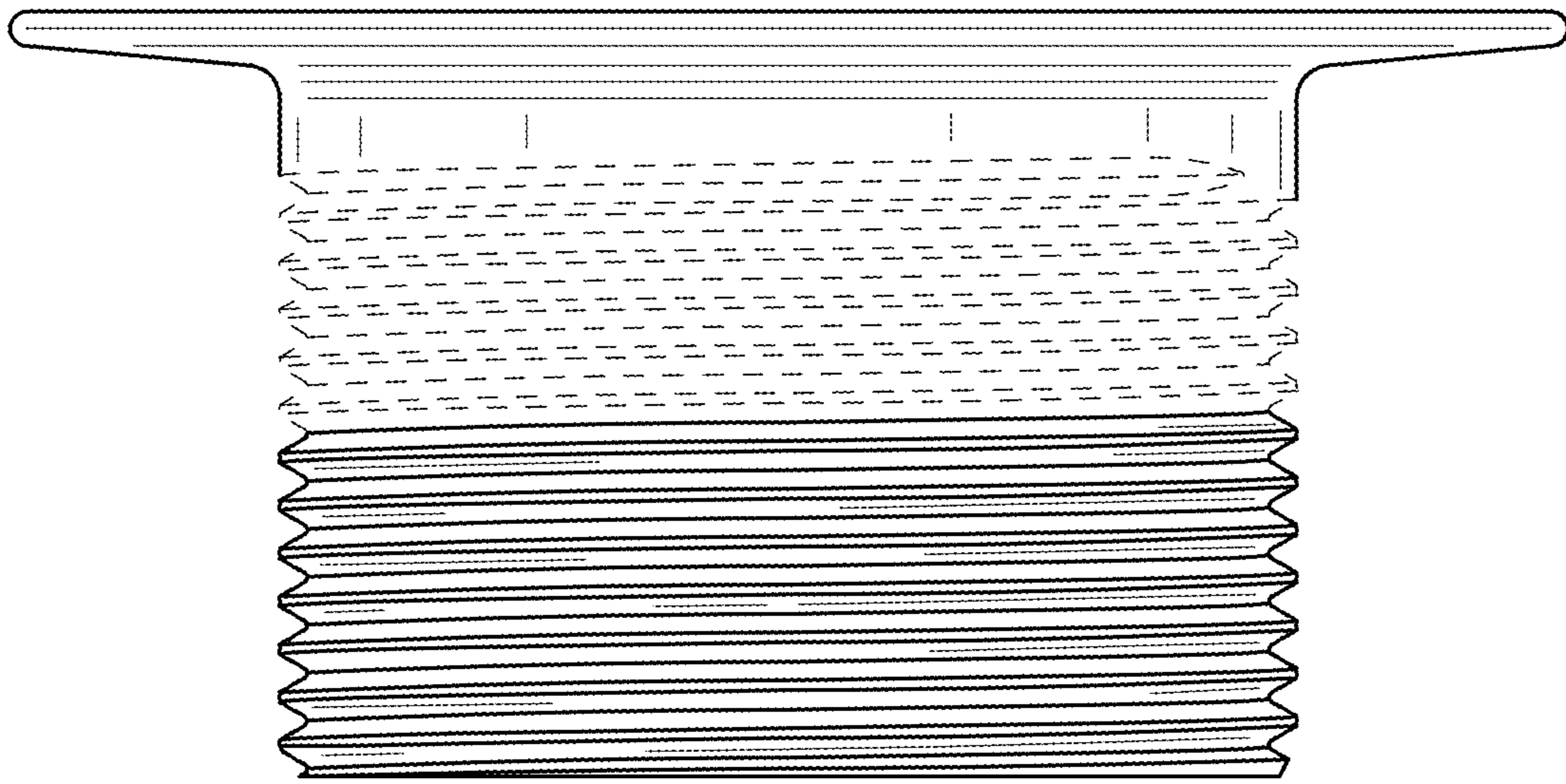


FIG.3

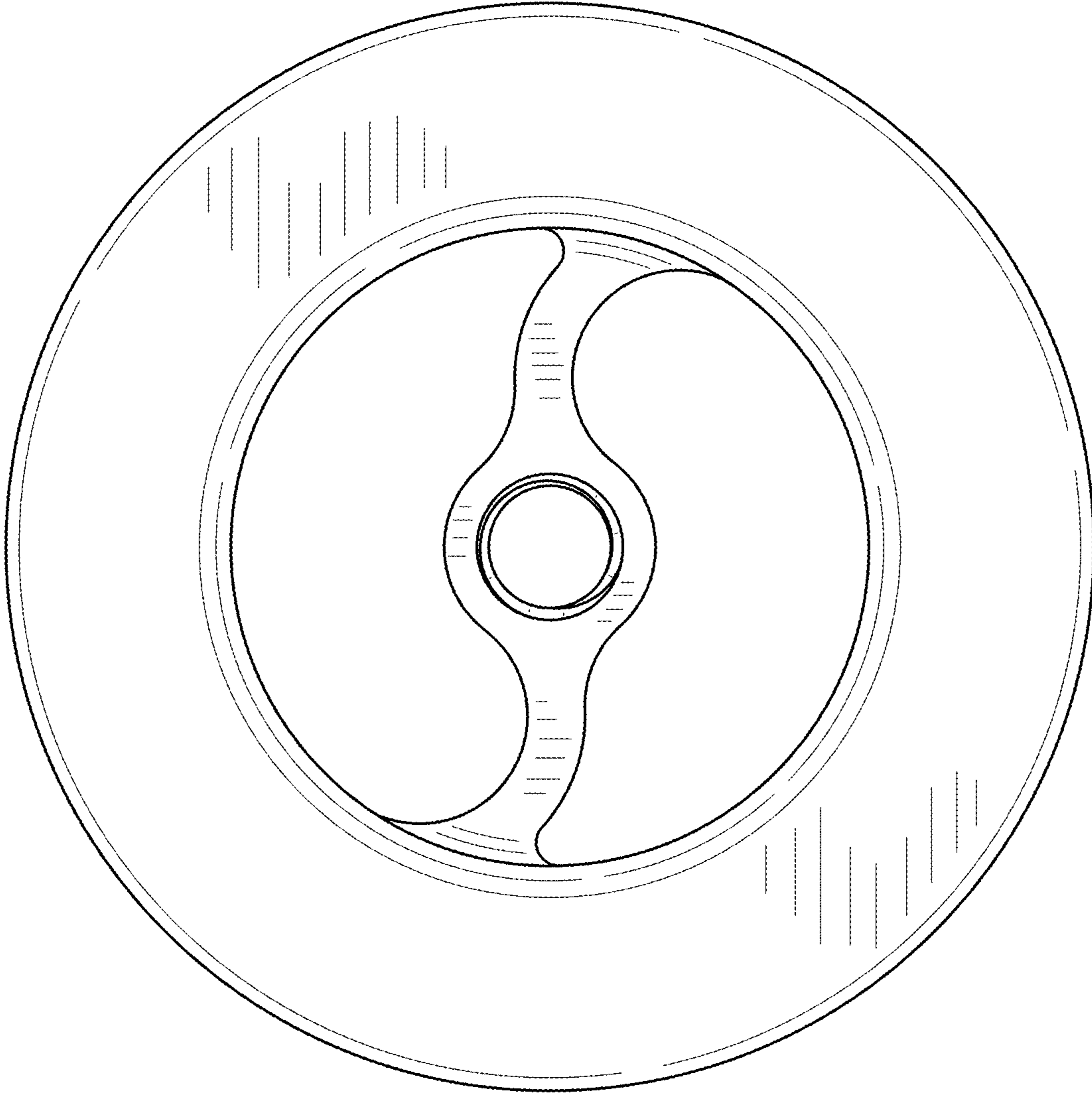


FIG.4

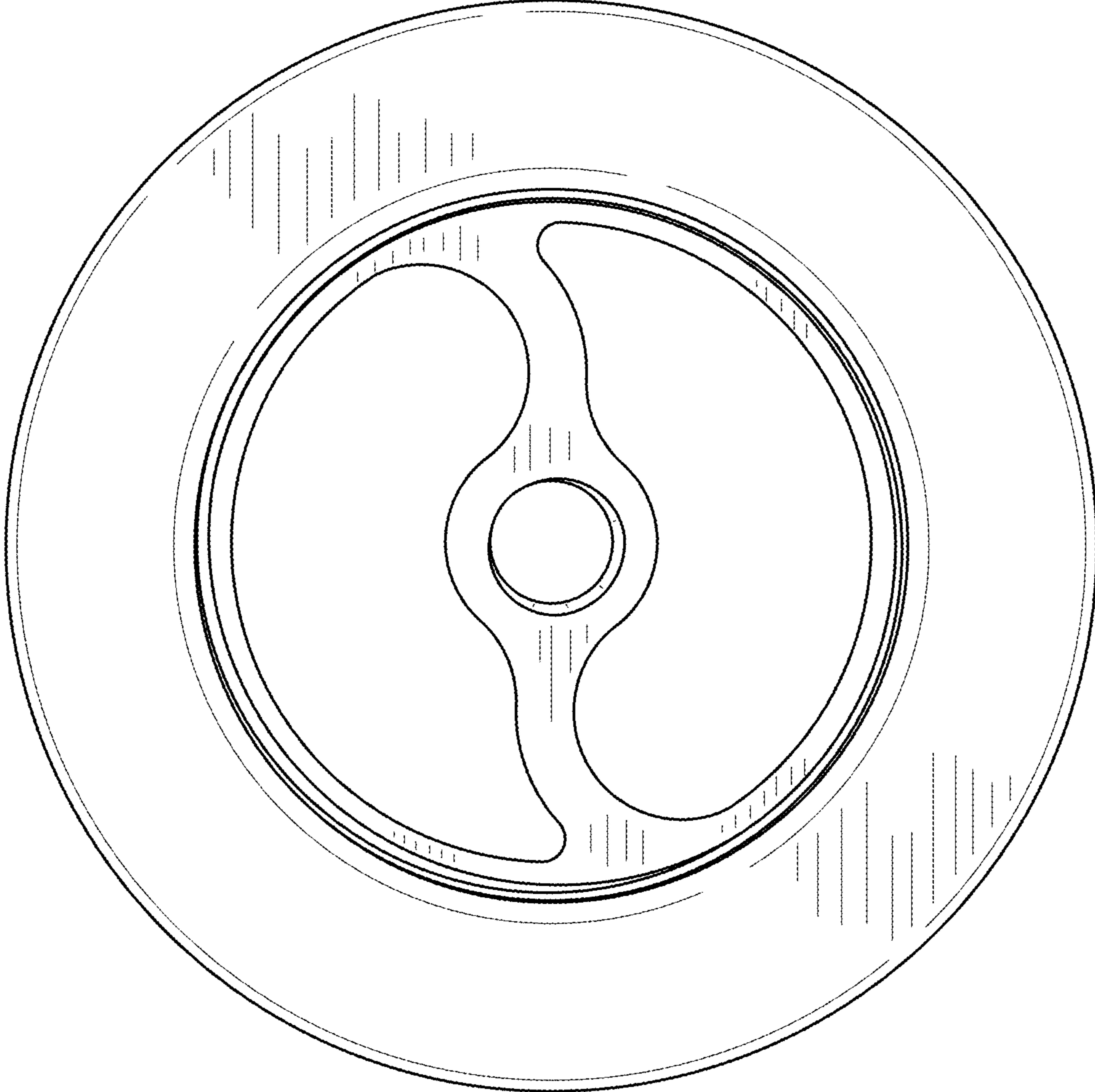


FIG.5