



US00D884837S

(12) **United States Design Patent** (10) **Patent No.:** **US D884,837 S**  
**Park** (45) **Date of Patent:** **\*\* May 19, 2020**

(54) **FAUCET HANDLE**  
(71) Applicant: **DELTA FAUCET COMPANY,**  
Indianapolis, IN (US)  
(72) Inventor: **Maris Park,** McCordsville, IN (US)  
(73) Assignee: **DELTA FAUCET COMPANY,**  
Indianapolis, IN (US)

D450,808 S \* 11/2001 Gottwald ..... D23/253  
D450,809 S \* 11/2001 Gottwald ..... D23/254  
D506,530 S \* 6/2005 Kennard ..... D23/252  
D524,414 S \* 7/2006 Marcichow ..... D23/238  
D573,232 S \* 7/2008 Dolan ..... D23/252  
D585,115 S \* 1/2009 Eilmus ..... D23/253  
D588,235 S \* 3/2009 Rexach ..... D23/253  
D627,441 S \* 11/2010 Sedwick ..... D23/252  
D668,745 S \* 10/2012 Citterio ..... D23/253  
D810,876 S \* 2/2018 Bahler ..... D23/238

(\*\*) Term: **15 Years**

\* cited by examiner

(21) Appl. No.: **29/641,669**

*Primary Examiner* — Sheryl Lane

*Assistant Examiner* — Samantha N Wood

(22) Filed: **Mar. 23, 2018**

(74) *Attorney, Agent, or Firm* — Nirav D. Parikh; Edgar A. Zarins

(51) **LOC (12) Cl.** ..... **23-01**

(52) **U.S. Cl.**  
USPC ..... **D23/253**

(57) **CLAIM**

(58) **Field of Classification Search**  
USPC ..... D23/238, 239, 240, 241, 242, 243, 249,  
D23/250, 252, 255, 257, 253; D8/350,  
D8/353, 307  
CPC ..... Y10T 137/9464; Y10T 137/6014; Y10T  
137/0491; E03C 1/02; E03C 1/04; E03C  
1/0404; E03C 1/042; G05D 11/02; G05D  
11/132

The ornamental design for a faucet handle, as shown and described.

See application file for complete search history.

**DESCRIPTION**

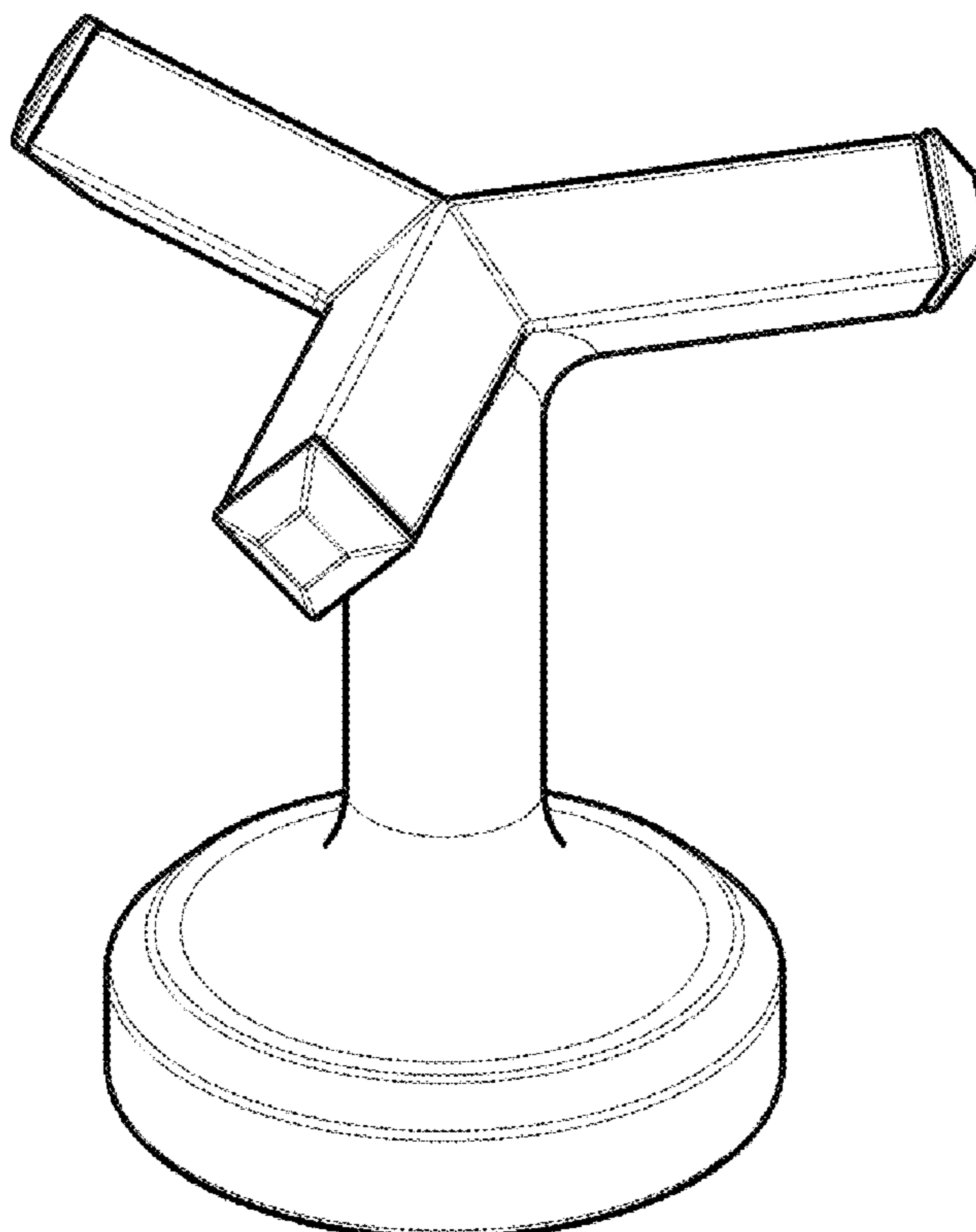
(56) **References Cited**

FIG. 1 is a first perspective view of a faucet handle showing my new design;  
FIG. 2 is a second perspective view thereof;  
FIG. 3 is a front elevational view thereof;  
FIG. 4 is a first side view thereof;  
FIG. 5 is a rear view thereof;  
FIG. 6 is a second side view thereof; and,  
FIG. 7 is a top end view thereof.

U.S. PATENT DOCUMENTS

D76,904 S \* 11/1928 Smith ..... D23/254  
D296,815 S \* 7/1988 Jans ..... D23/252

**1 Claim, 4 Drawing Sheets**



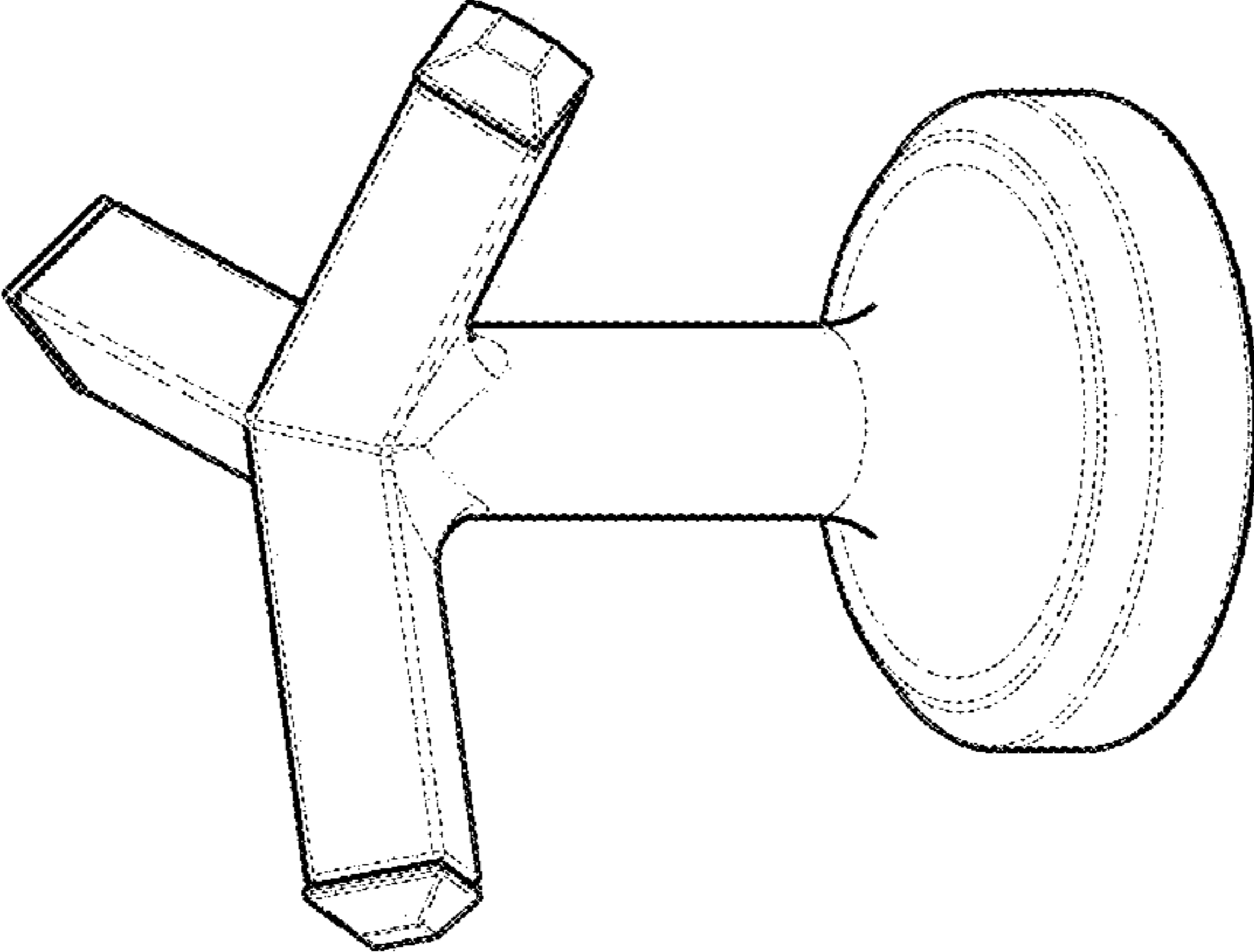


Fig. 2

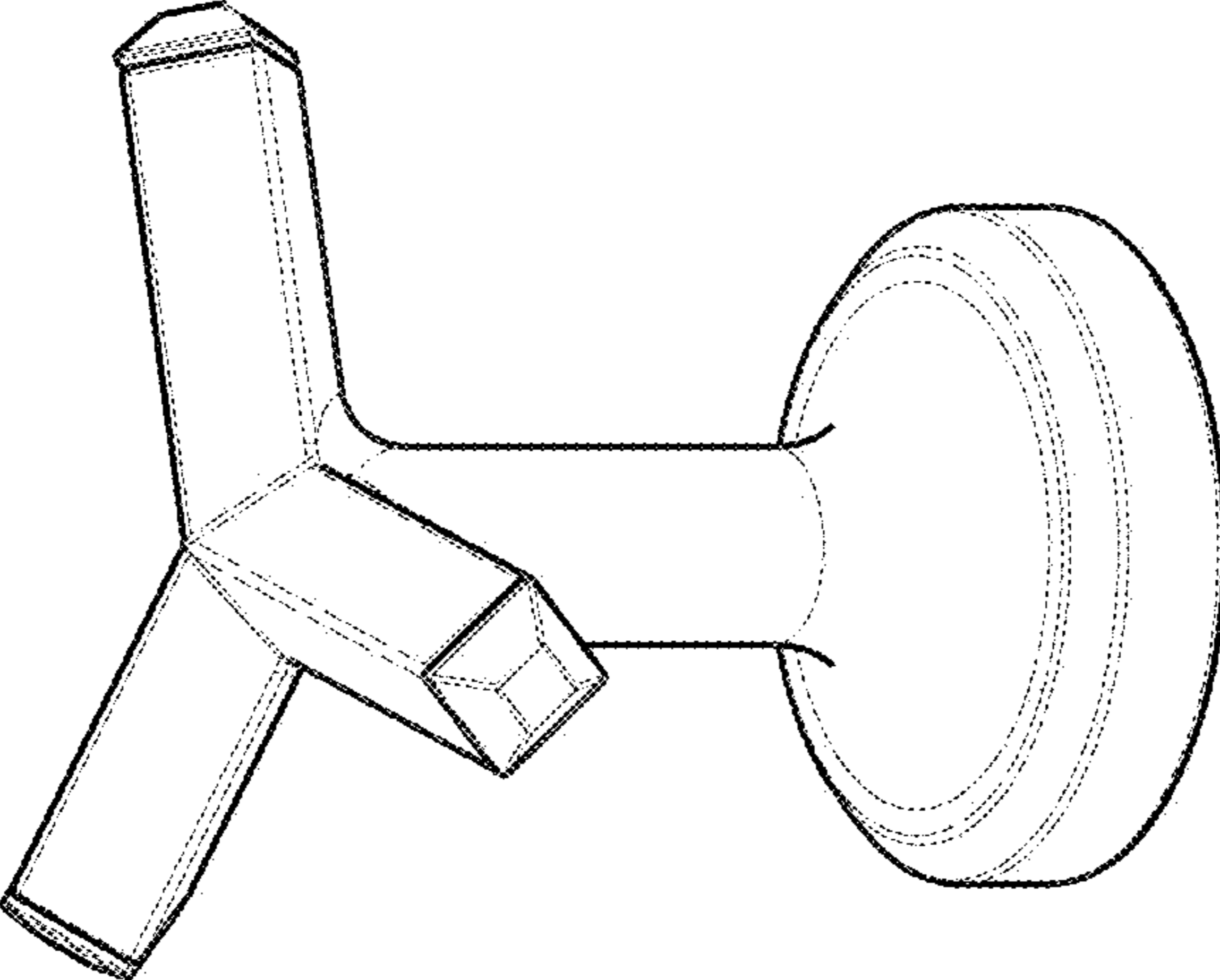


Fig. 1

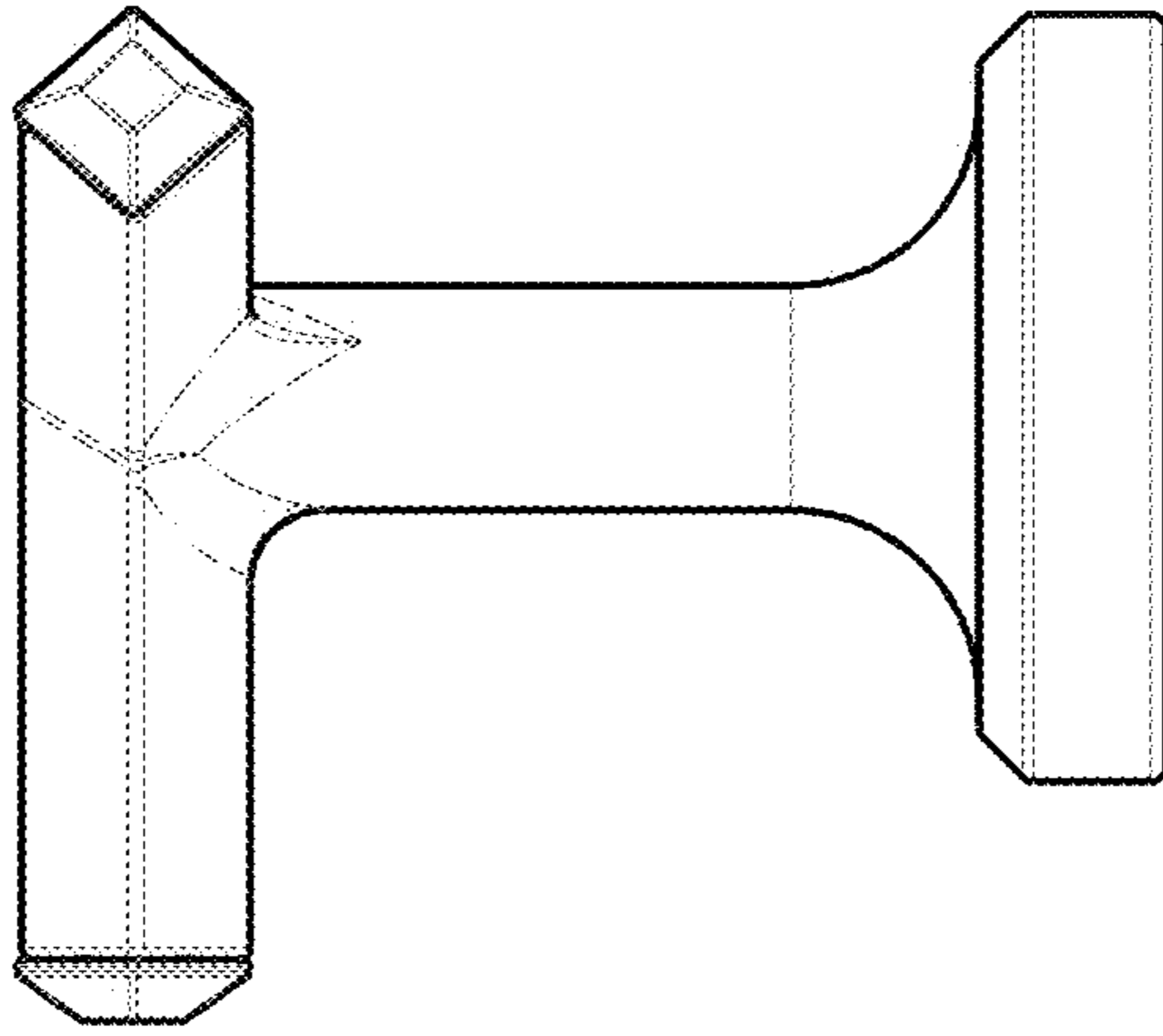


Fig. 4

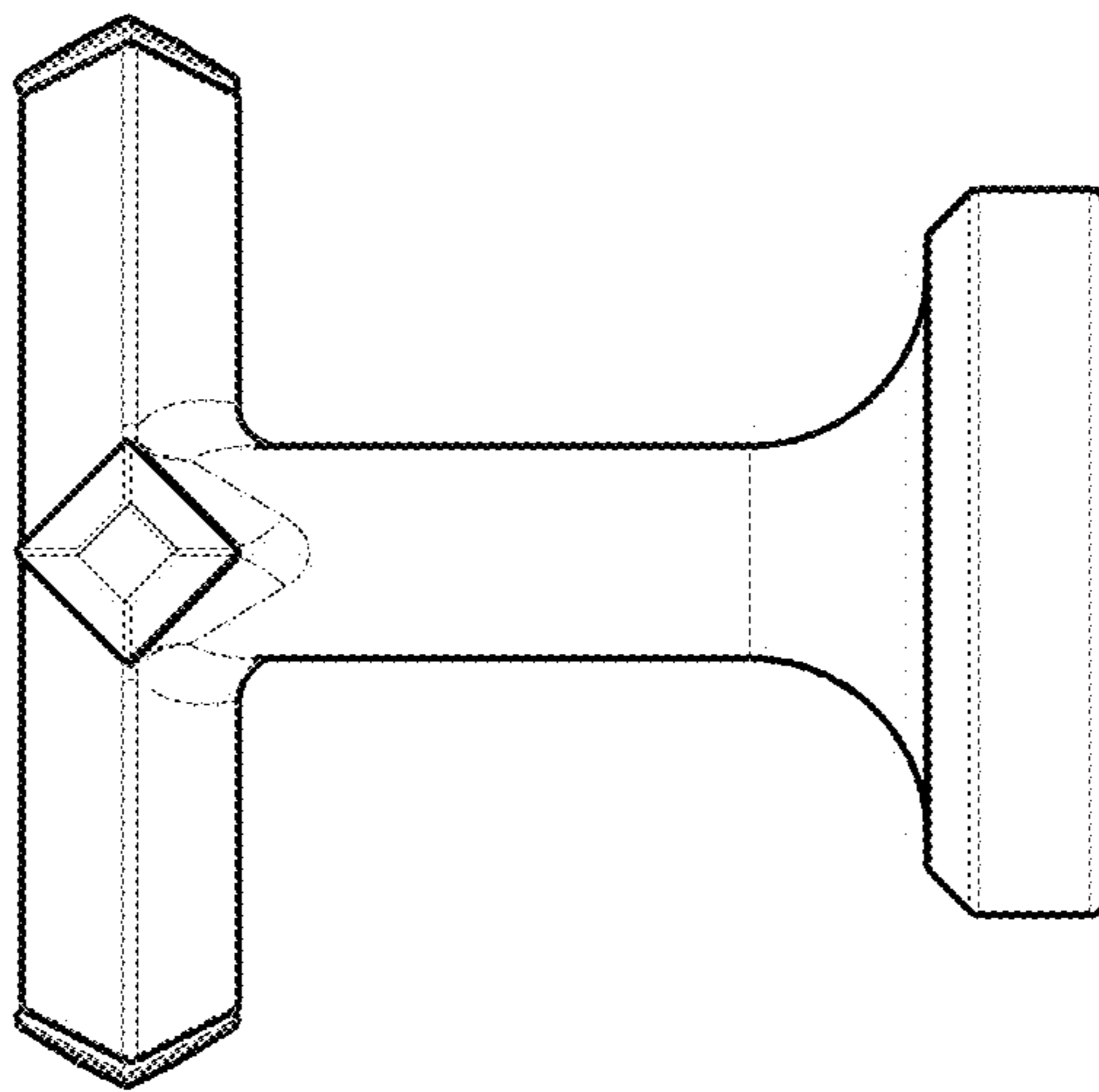


Fig. 3

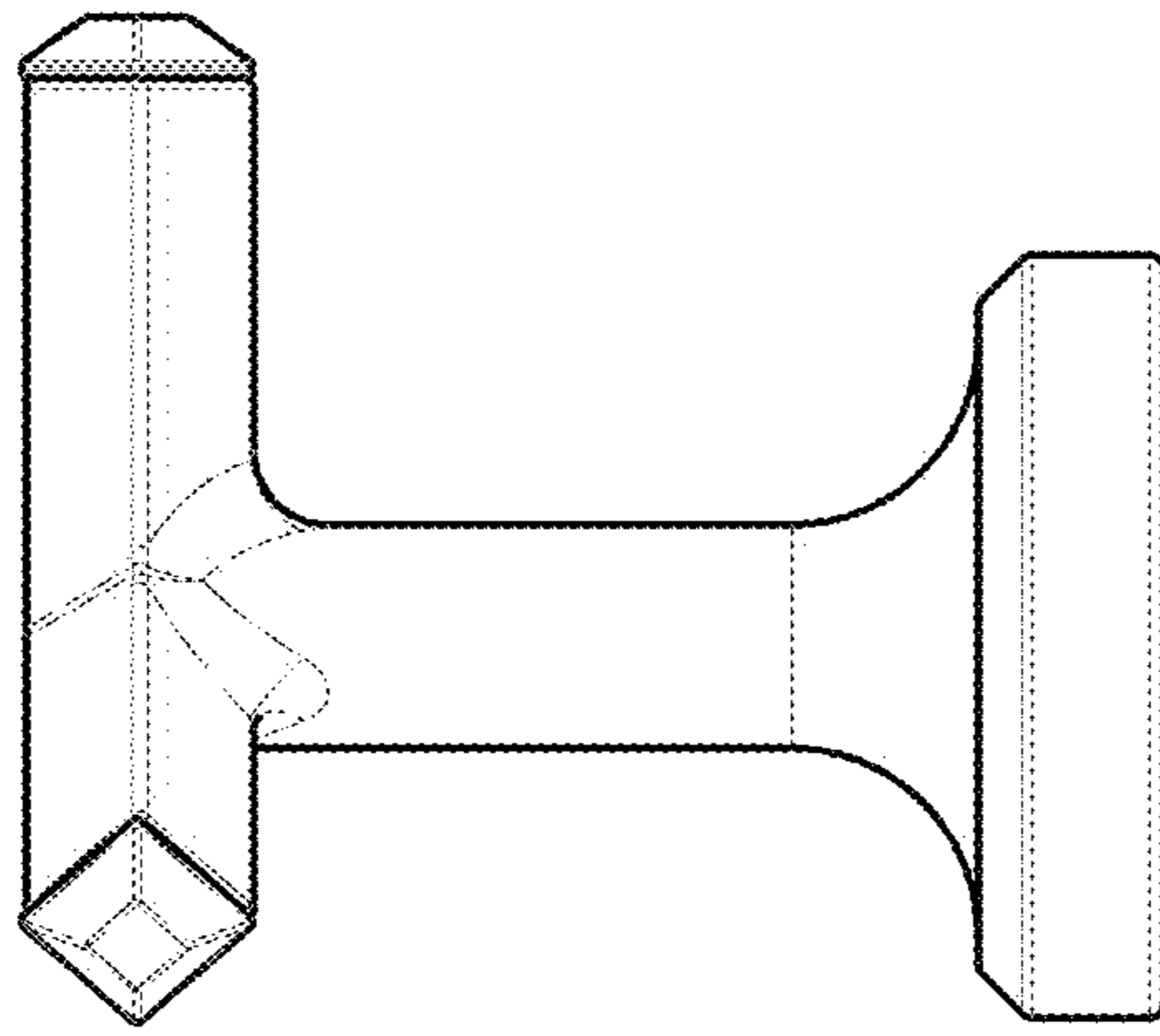


Fig. 6

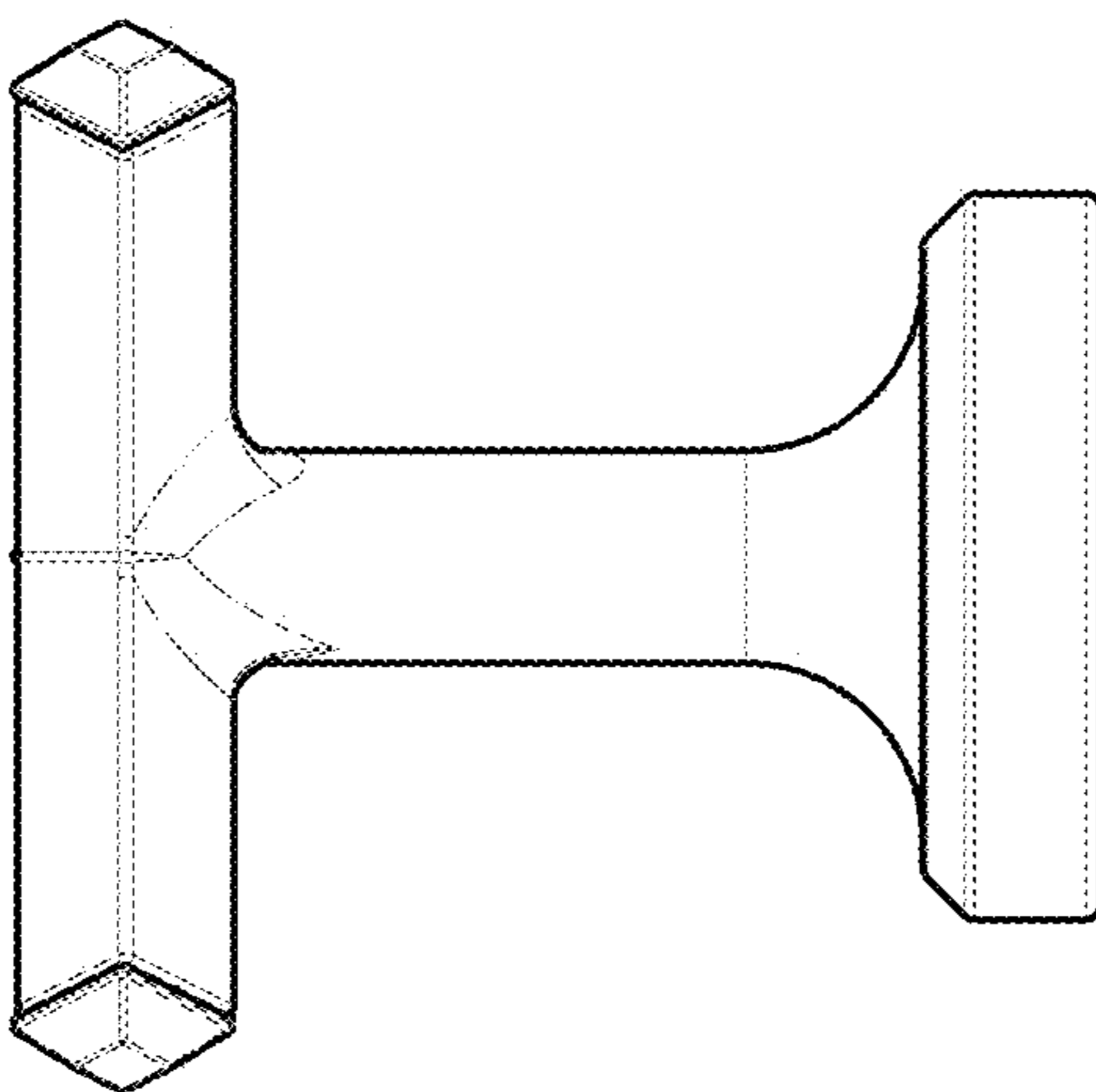


Fig. 5

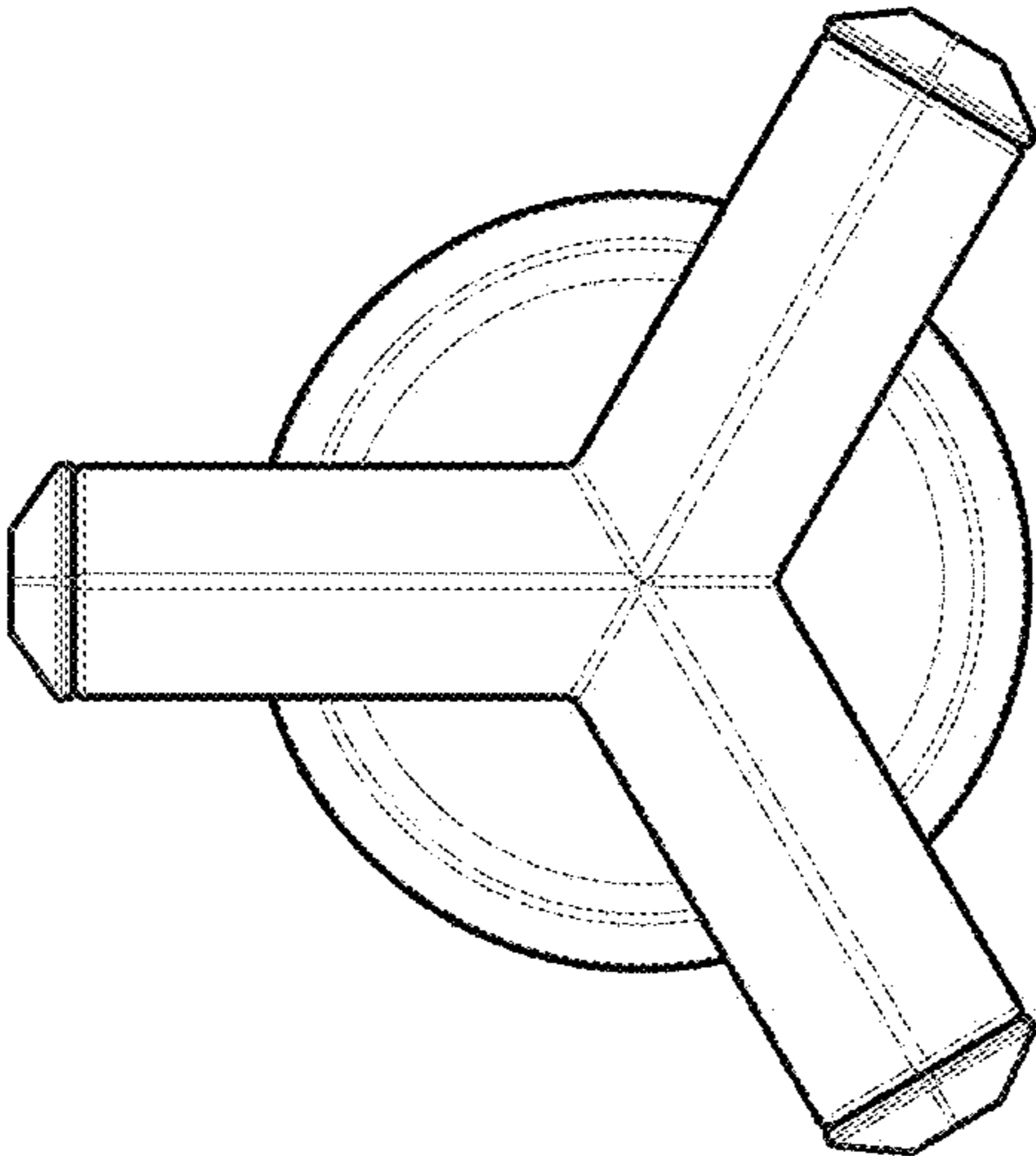


Fig. 7