



US00D884836S

(12) **United States Design Patent**  
**Yamamoto et al.**

(10) **Patent No.:** **US D884,836 S**

(45) **Date of Patent:** **\*\* May 19, 2020**

(54) **VALVE FOR OIL CHANGE OR THE LIKE**

(71) Applicant: **FUMOTO GIKEN CO., LTD.**,  
Miura-gun, Kanagawa (JP)

(72) Inventors: **Ryohei Yamamoto**, Kanagawa (JP);  
**Yuho Yamamoto**, Kanagawa (JP)

(73) Assignee: **FUMOTO GIKEN CO., LTD.**,  
Miura-Gun (JP)

(\*\*) Term: **15 Years**

(21) Appl. No.: **29/636,079**

(22) Filed: **Feb. 6, 2018**

(51) **LOC (12) Cl.** ..... **23-01**

(52) **U.S. Cl.**  
USPC ..... **D23/245**

(58) **Field of Classification Search**  
USPC ..... D23/233–250, 255–269, 310; 137/1, 59,  
137/377, 315.18, 315.35, 625.5, 625.27,  
137/625.44, 625.48, 385, 382, 549, 315.2,  
137/315.37; 251/288, 99, 59, 294, 298,  
251/349–354, 96, 98, 315.1  
CPC ..... F16K 39/06; F16K 5/06; F16K 37/0075  
See application file for complete search history.

(56) **References Cited**

**U.S. PATENT DOCUMENTS**

4,078,763 A \* 3/1978 Yamamoto ..... F16K 5/0647  
137/315.2  
5,275,200 A \* 1/1994 Yamamoto ..... F16K 5/0647  
137/315.18  
D455,818 S \* 4/2002 Naoyuki ..... D23/245  
D681,170 S \* 4/2013 Yamamoto ..... D23/245

D681,171 S \* 4/2013 Yamamoto ..... D23/245  
D701,945 S \* 4/2014 Mitsuoka ..... D23/245  
D701,946 S \* 4/2014 Mitsuoka ..... D23/245  
D755,348 S \* 5/2016 Mitsuoka ..... D23/233  
D783,777 S \* 4/2017 Yamamoto ..... D23/245  
D783,778 S \* 4/2017 Yamamoto ..... D23/245  
D790,040 S \* 6/2017 Yamamoto ..... D23/245  
9,752,702 B2 \* 9/2017 Yamamoto ..... E03B 7/12  
D812,194 S \* 3/2018 Yamamoto ..... D23/245  
10,036,476 B2 \* 7/2018 Yamamoto ..... F01M 11/0004

\* cited by examiner

*Primary Examiner* — Gino Colan

(74) *Attorney, Agent, or Firm* — Koffsky Schwalb LLC;  
Mark I. Koffsky

(57) **CLAIM**

The ornamental design for a valve for oil change or the like,  
as shown and described.

**DESCRIPTION**

FIG. 1 is a right perspective view a valve for oil change or  
the like showing our new design;  
FIG. 2 is a left perspective view thereof;  
FIG. 3 is an upper left perspective view thereof;  
FIG. 4 is a right elevation view thereof;  
FIG. 5 is a left elevation view thereof;  
FIG. 6 is a front elevation view thereof;  
FIG. 7 is a rear elevation view thereof;  
FIG. 8 is a top plan view thereof; and,  
FIG. 9 is a bottom plan view thereof.  
The broken lines in the drawings are included for the  
purpose of illustrating portions of the valve for oil change or  
the like and form no part of the claimed design.

**1 Claim, 9 Drawing Sheets**

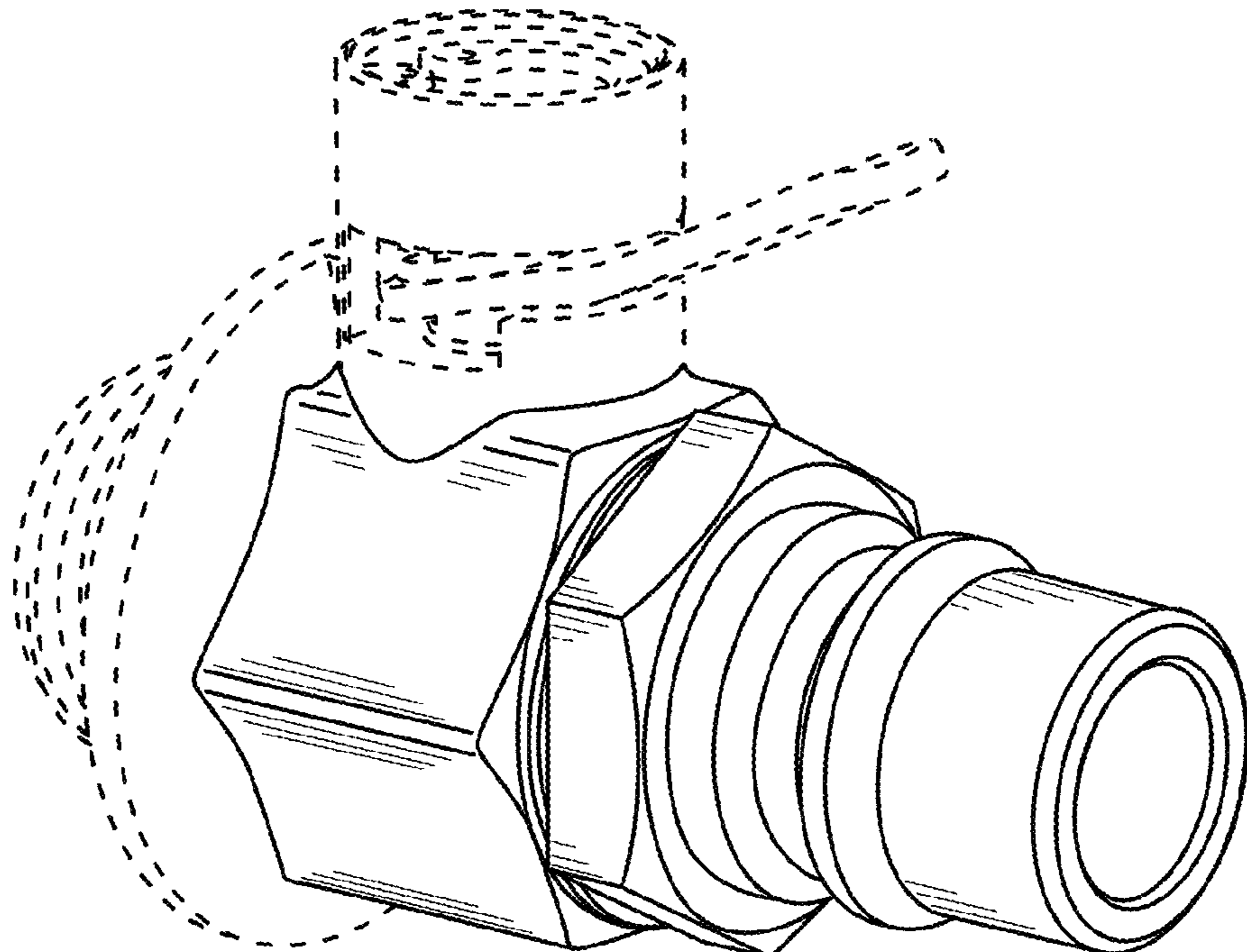


FIG. 1

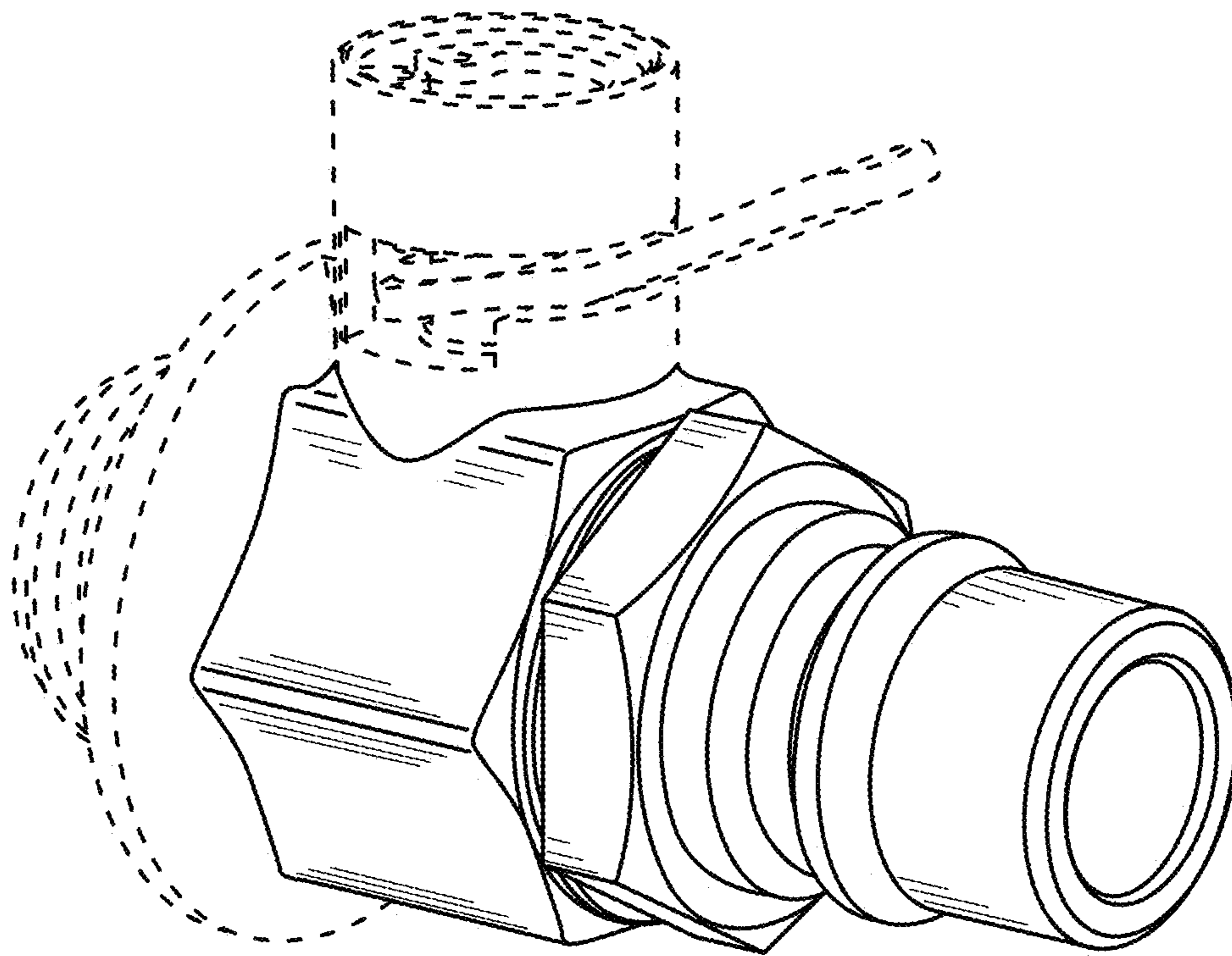


FIG. 2

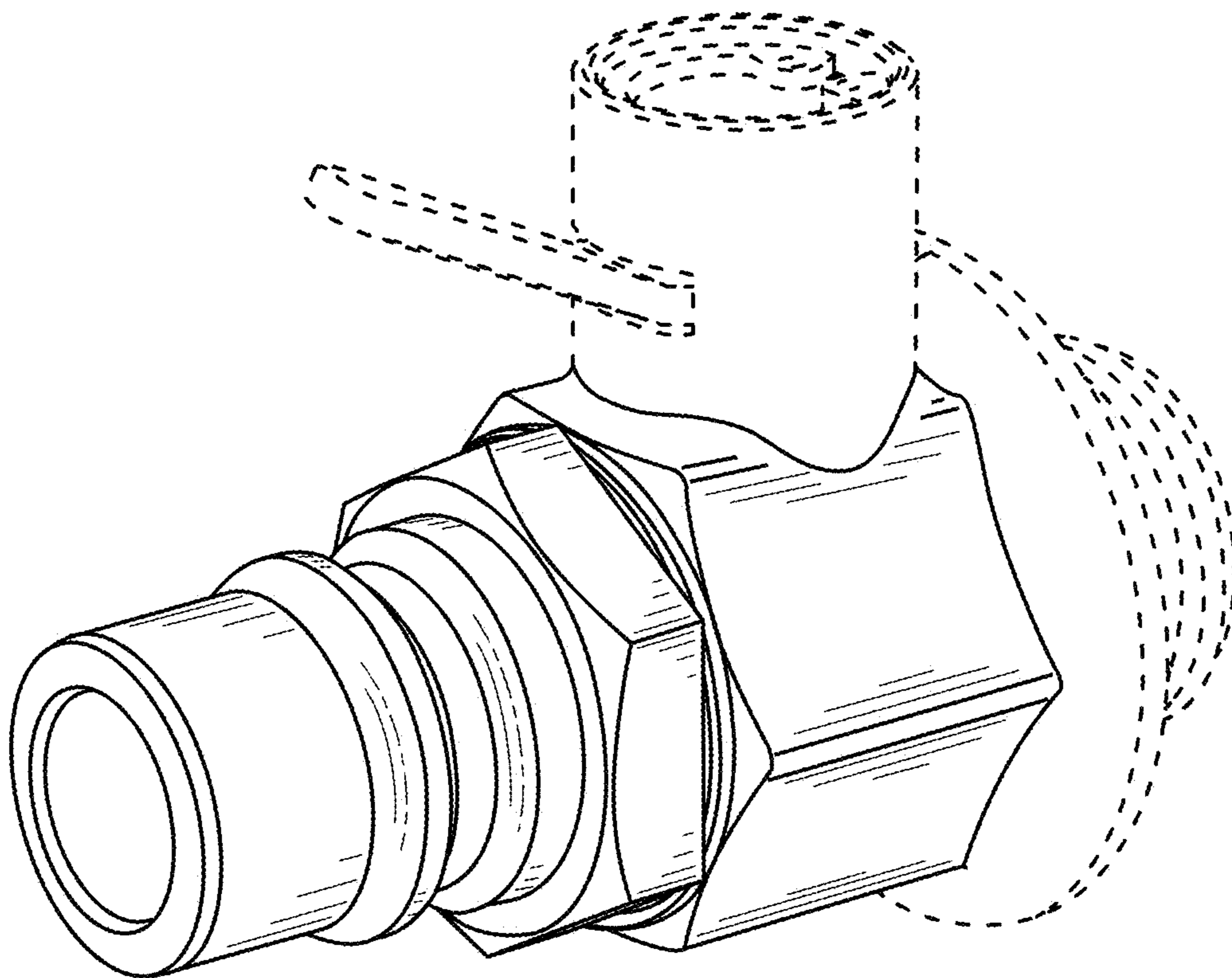


FIG. 3

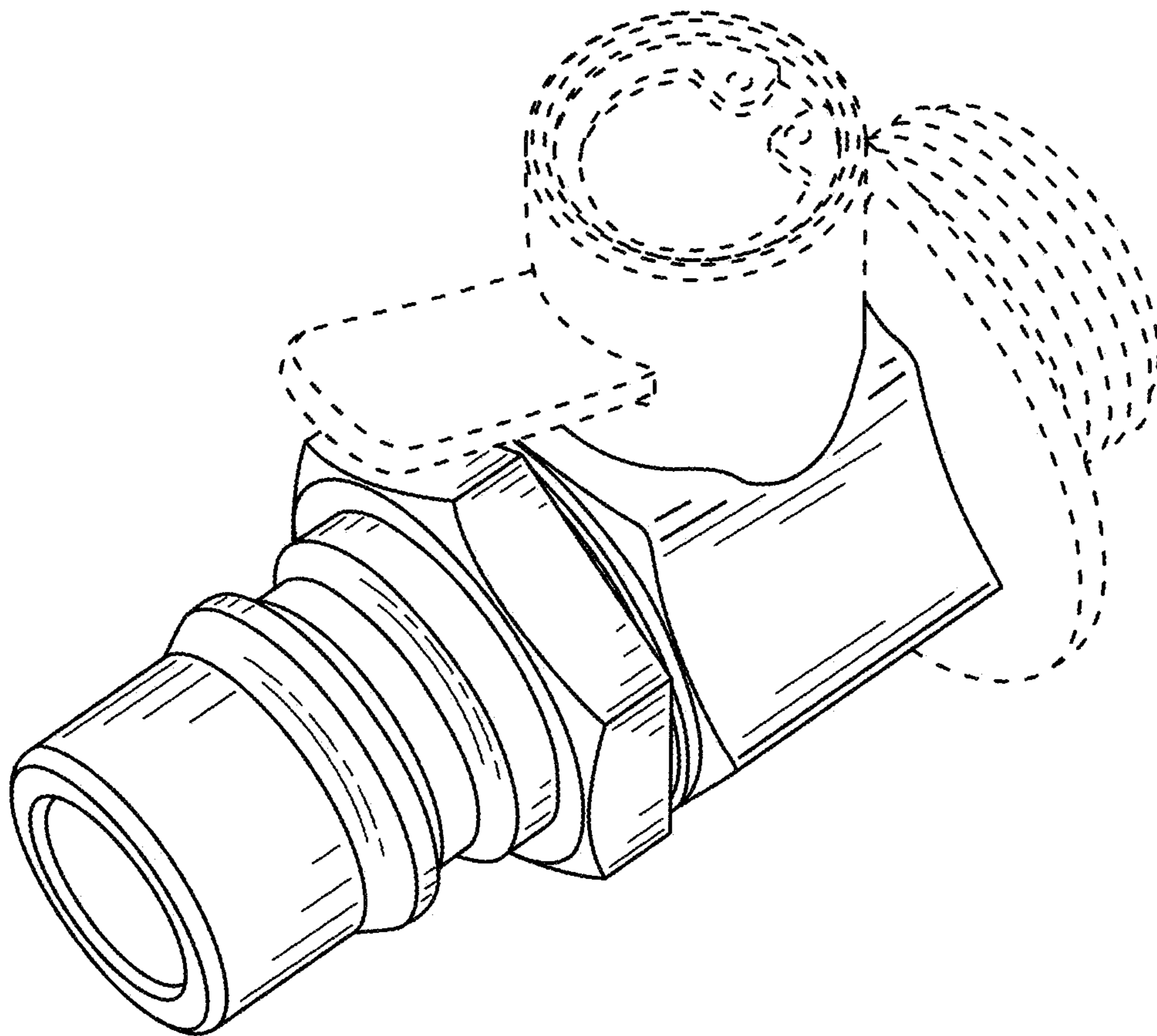




FIG. 4

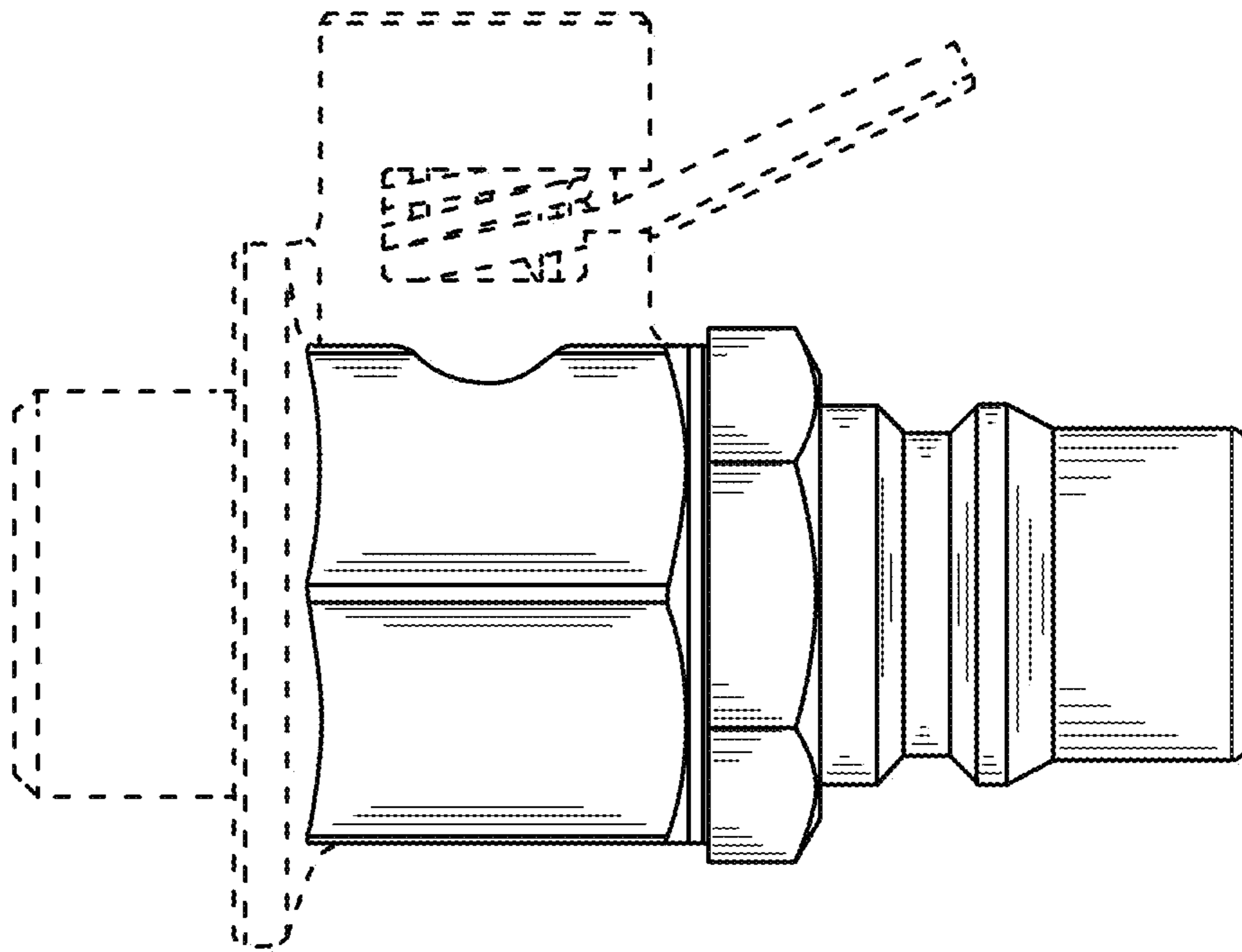


FIG. 5

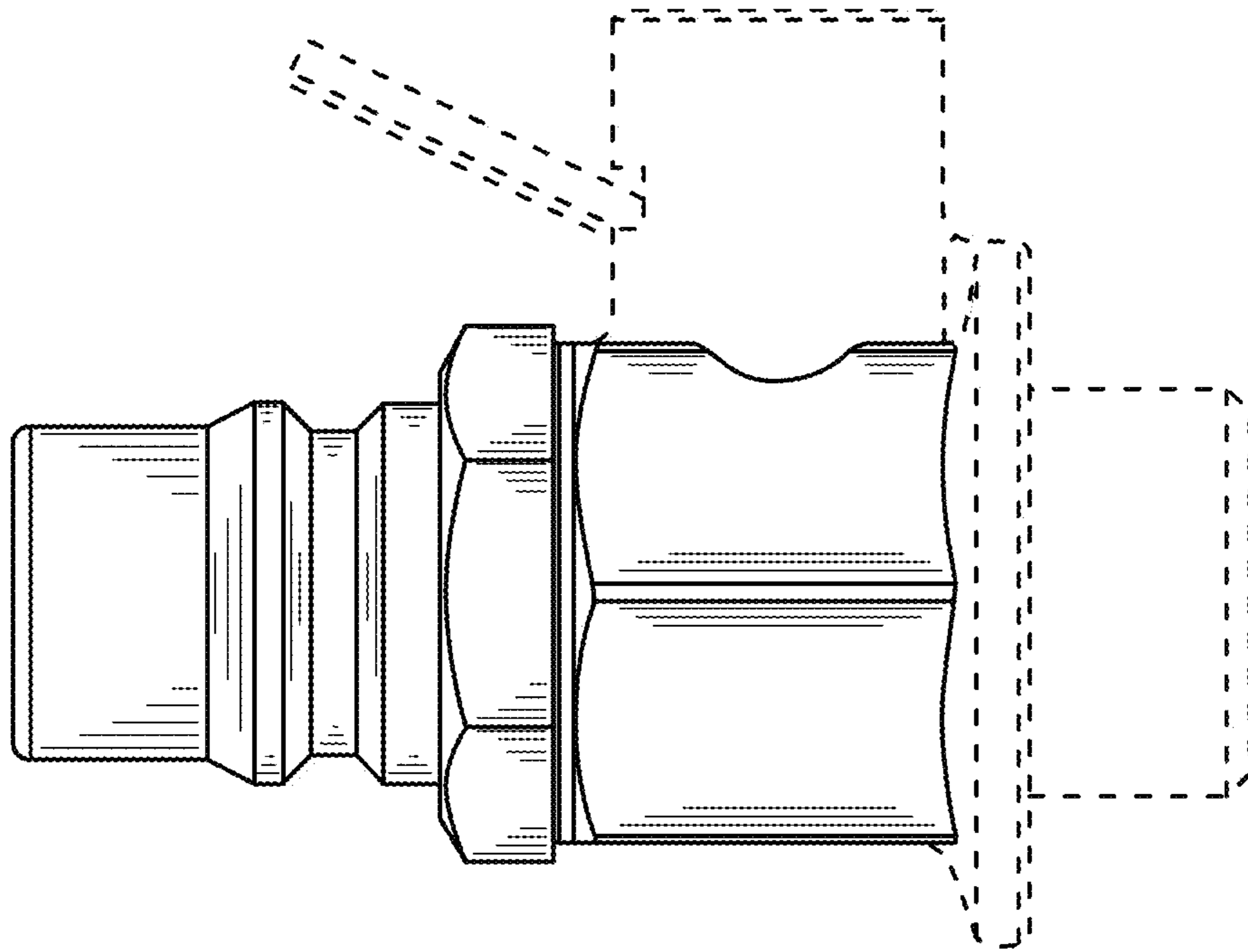


FIG. 6

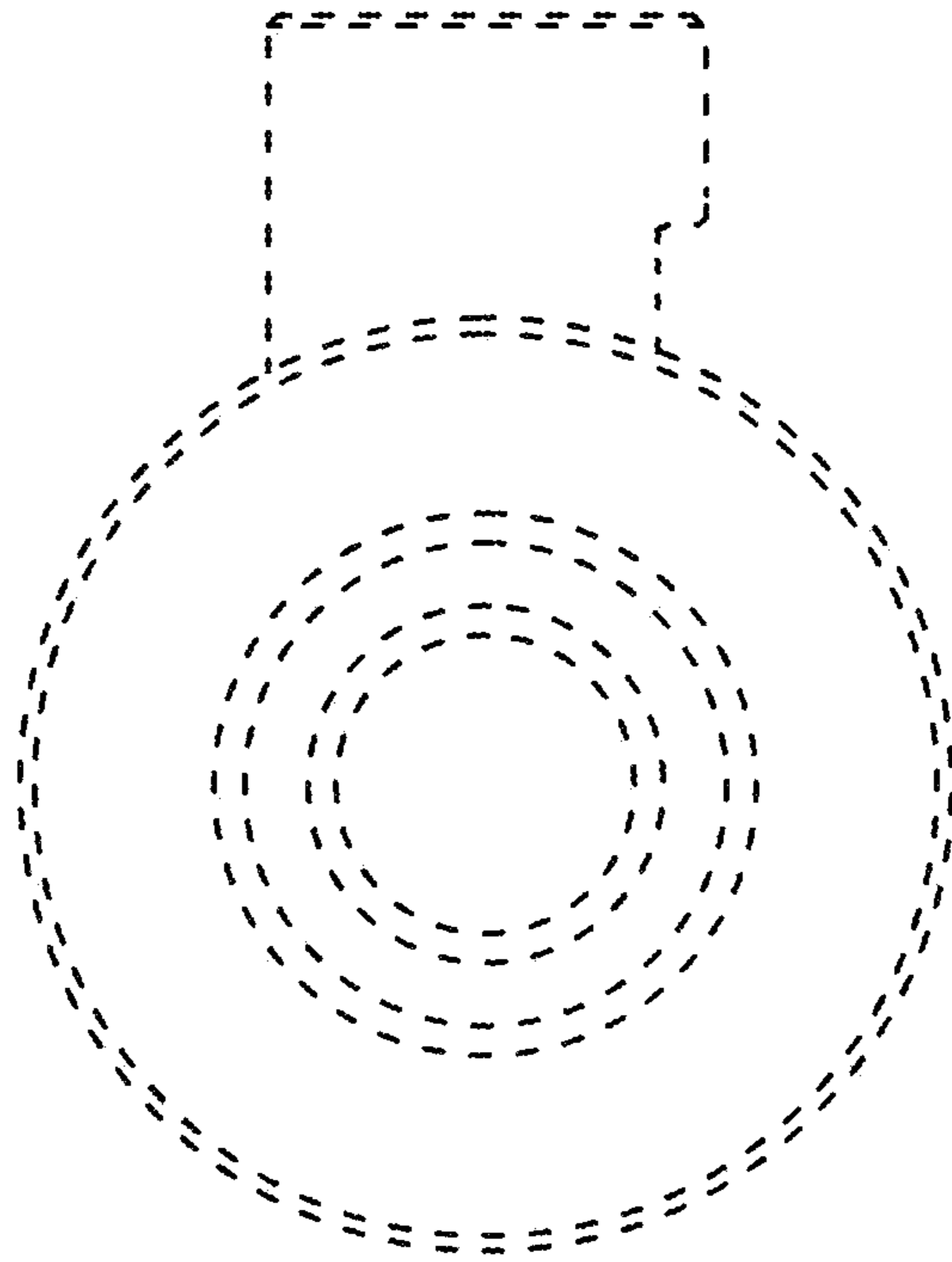


FIG. 7

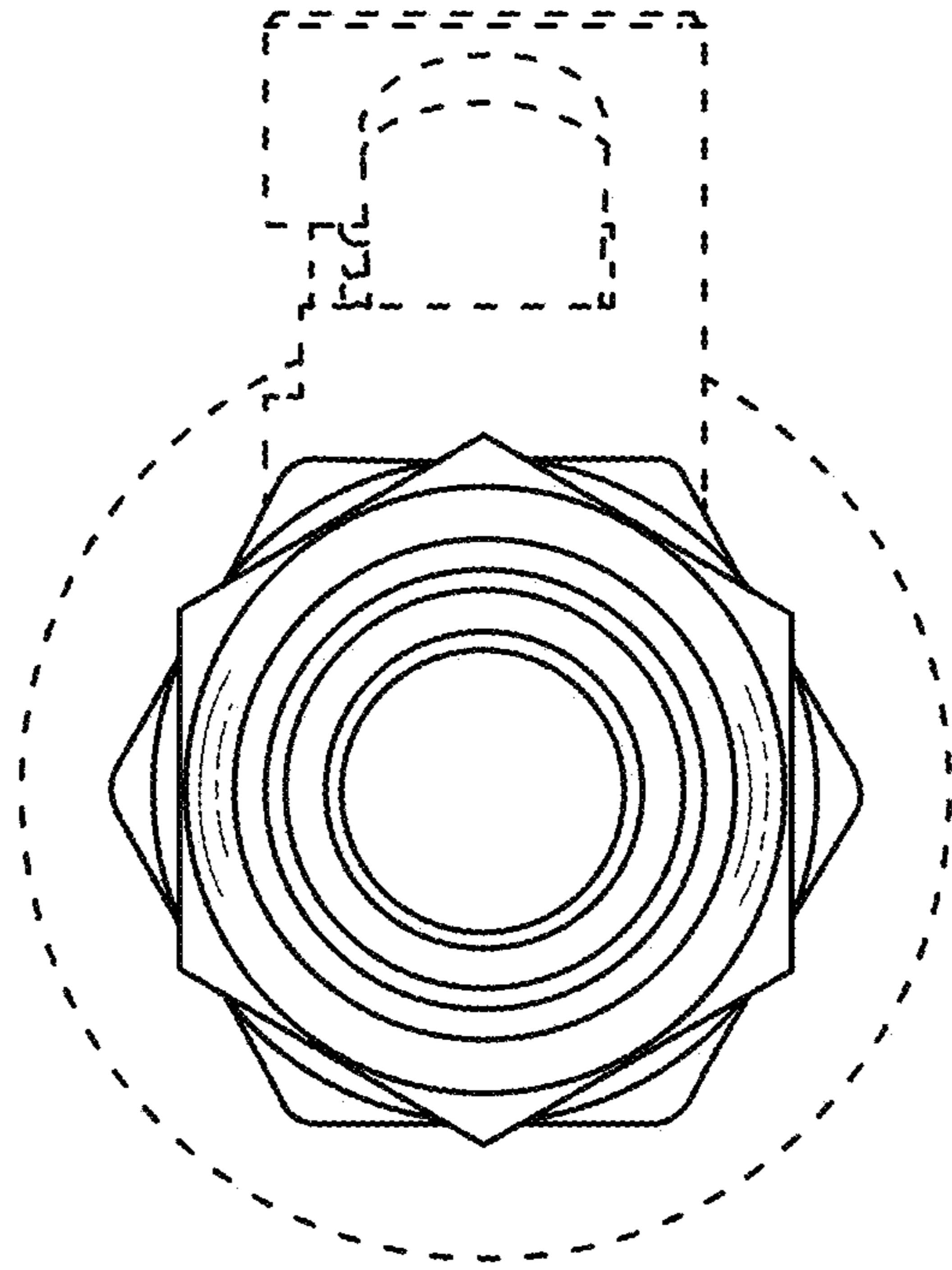




FIG. 8

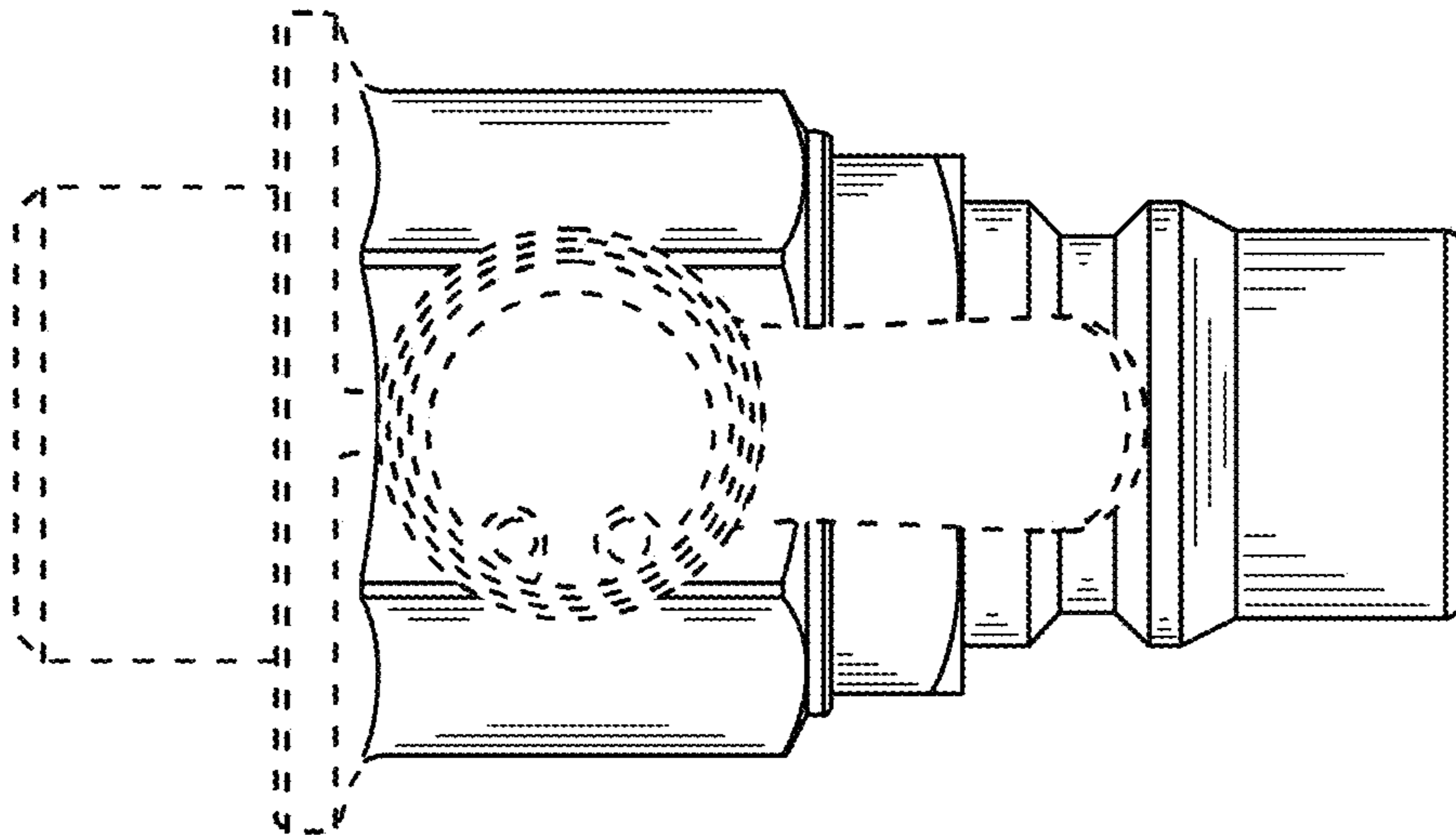


FIG. 9

