



US00D884835S

(12) **United States Design Patent** (10) **Patent No.:** **US D884,835 S**
He (45) **Date of Patent:** **** May 19, 2020**

(54) **BLAST VALVE** 3,363,540 A * 1/1968 Mason A62B 13/00
137/461
(71) Applicant: **Lili He**, Hechi (CN) D346,641 S * 5/1994 Scheurer D23/233
D577,100 S * 9/2008 Brown D23/213
(72) Inventor: **Lili He**, Hechi (CN) D582,327 S * 12/2008 Ratcliffe D12/197
D719,897 S * 12/2014 Sato D12/400
(73) Assignee: **Lili He**, Hechi (CN) D794,163 S * 8/2017 Jones D23/233
2014/0241922 A1 * 8/2014 Yang F04B 33/00
417/472

(**) Term: **15 Years**

(21) Appl. No.: **29/655,545**

(22) Filed: **Jul. 5, 2018**

(51) **LOC (12) Cl.** **23-01**

(52) **U.S. Cl.**
USPC **D23/233**

(58) **Field of Classification Search**
USPC D23/233, 234-237, 241-249, 213;
123/188.2, 41.69, 41.41, 41.76, 41.77,
123/41.85, 188.1; 137/217, 15.18, 559,
137/219, 625.34, 514, 493.4, 588, 461;
D15/1, 5; 417/472; D12/197, 400;
454/194
CPC F16K 17/006; F16K 17/00; F16K 24/06
See application file for complete search history.

(56) **References Cited**

U.S. PATENT DOCUMENTS

2,960,083 A * 11/1960 Grimland F16K 31/003
137/588
3,075,448 A * 1/1963 Cohen F16K 17/006
454/194

* cited by examiner

Primary Examiner — Gino Colan

(74) *Attorney, Agent, or Firm* — Wayne & Ken, LLC;
Tony Hom

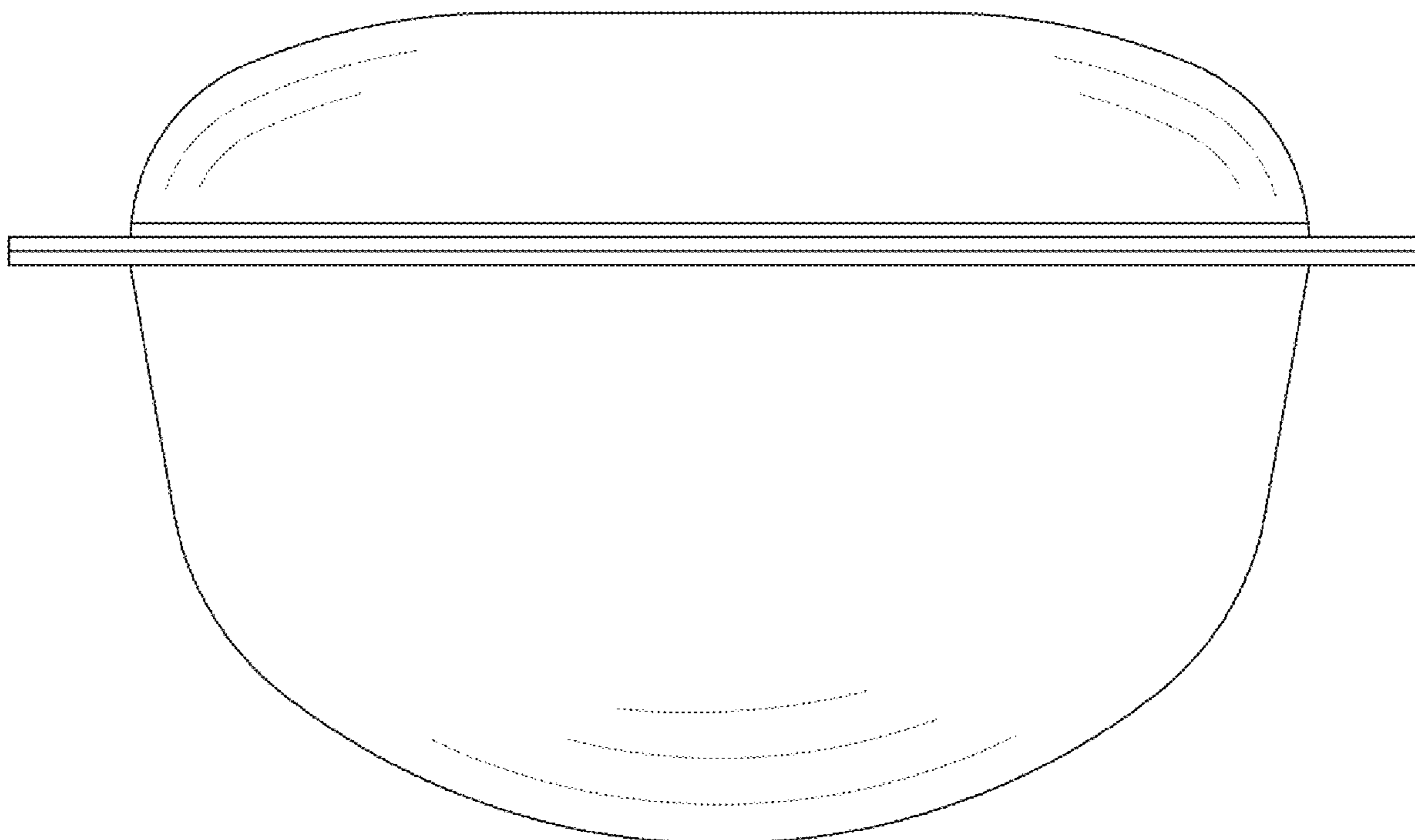
(57) **CLAIM**

The ornamental design for a blast valve, as shown and described.

DESCRIPTION

FIG. 1 is a top plan view of a blast valve showing my new design;
FIG. 2 is a bottom plan view thereof;
FIG. 3 is a front elevation view thereof;
FIG. 4 is a rear elevation view thereof;
FIG. 5 is a left side elevation view thereof;
FIG. 6 is a right side elevation view thereof; and,
FIG. 7 is a perspective view thereof.

1 Claim, 7 Drawing Sheets



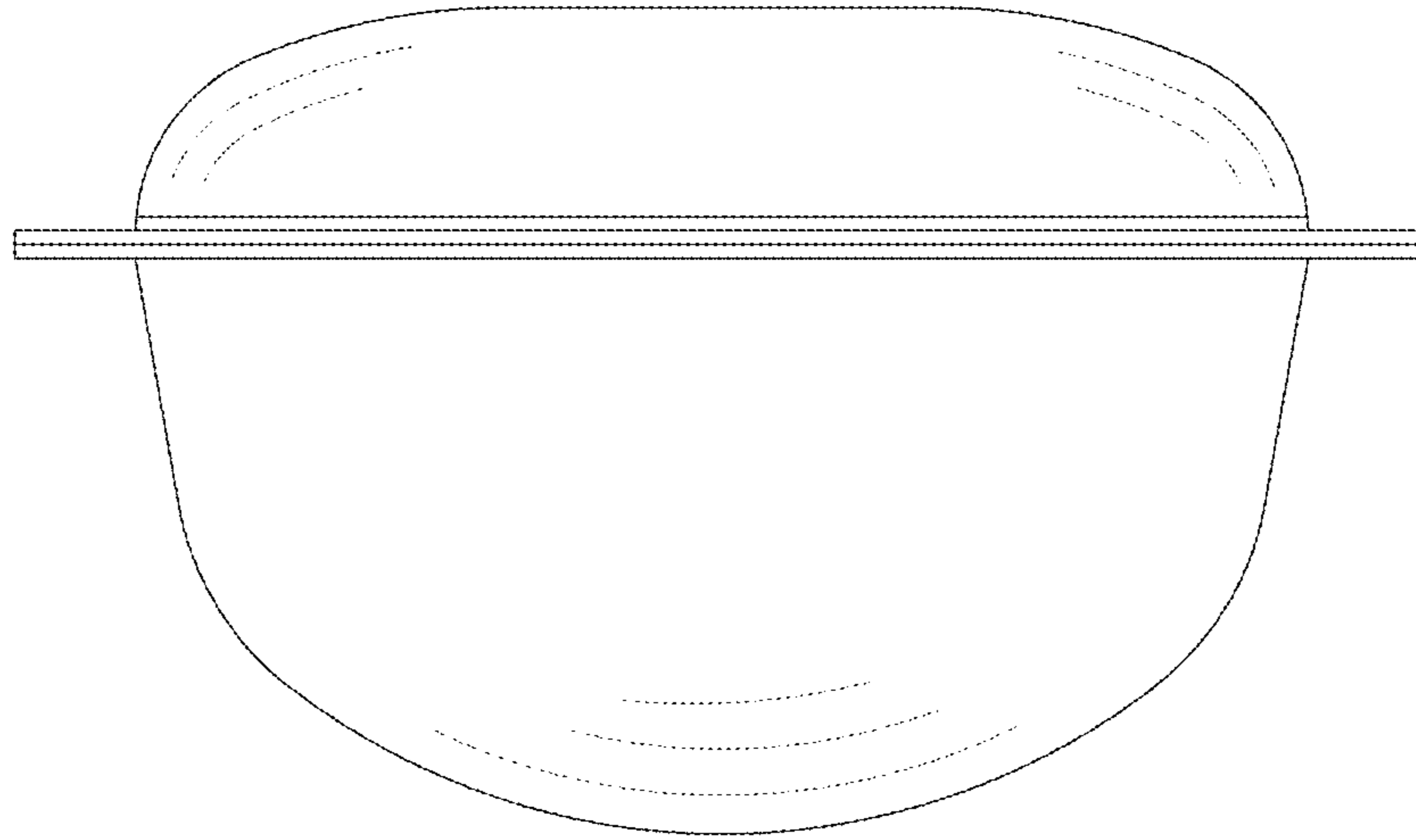


FIG. 1

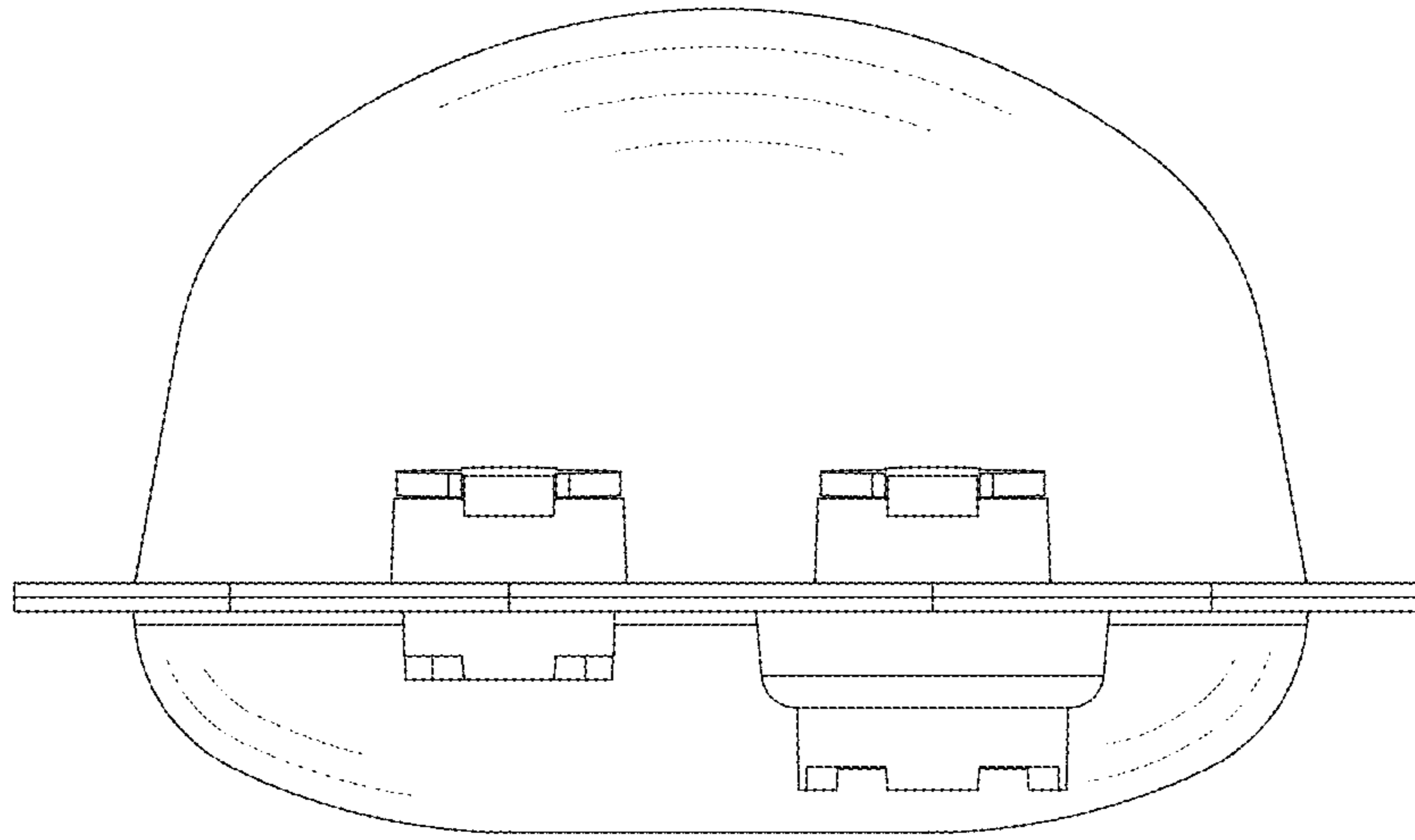


FIG. 2

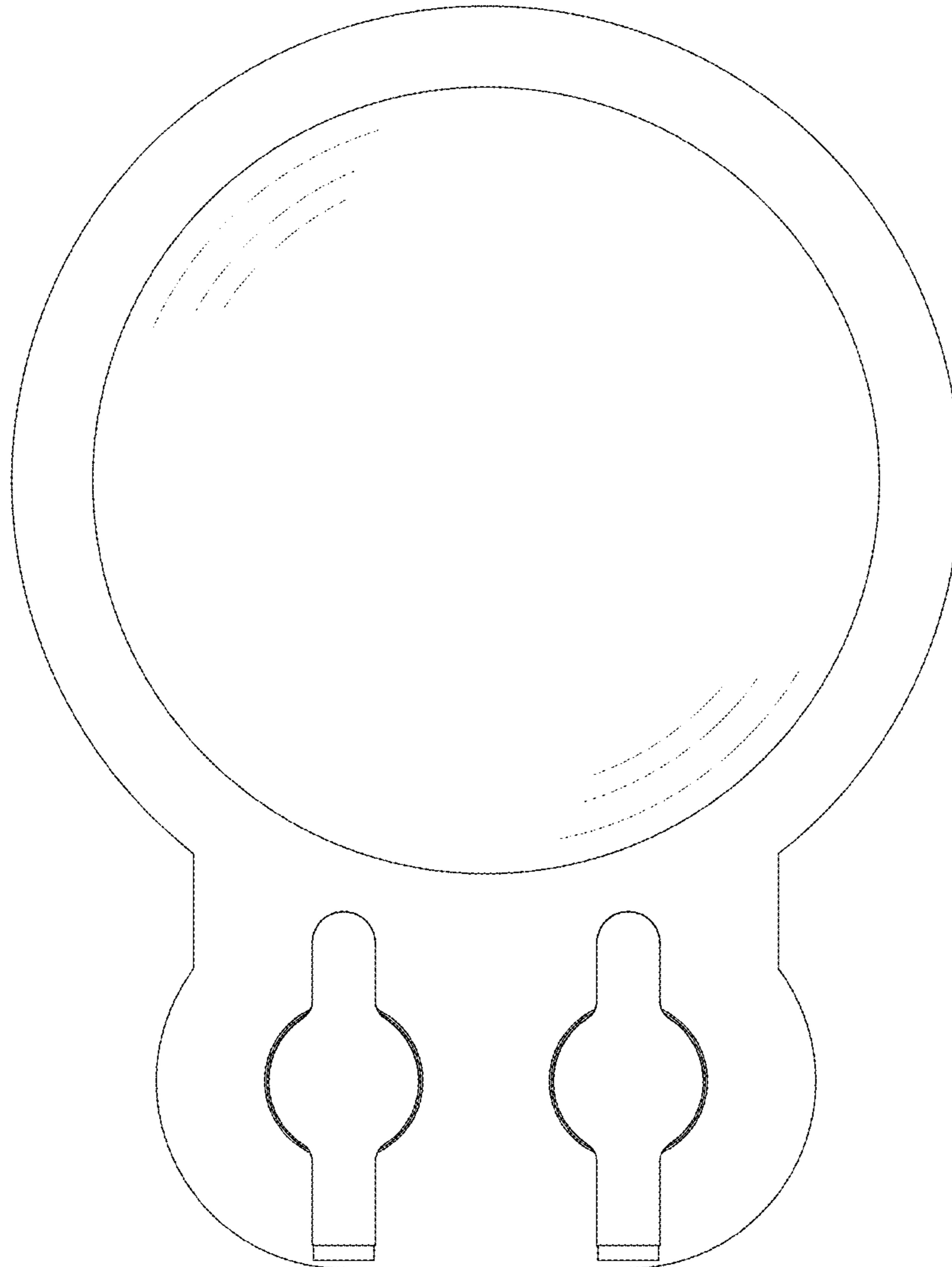


FIG. 3

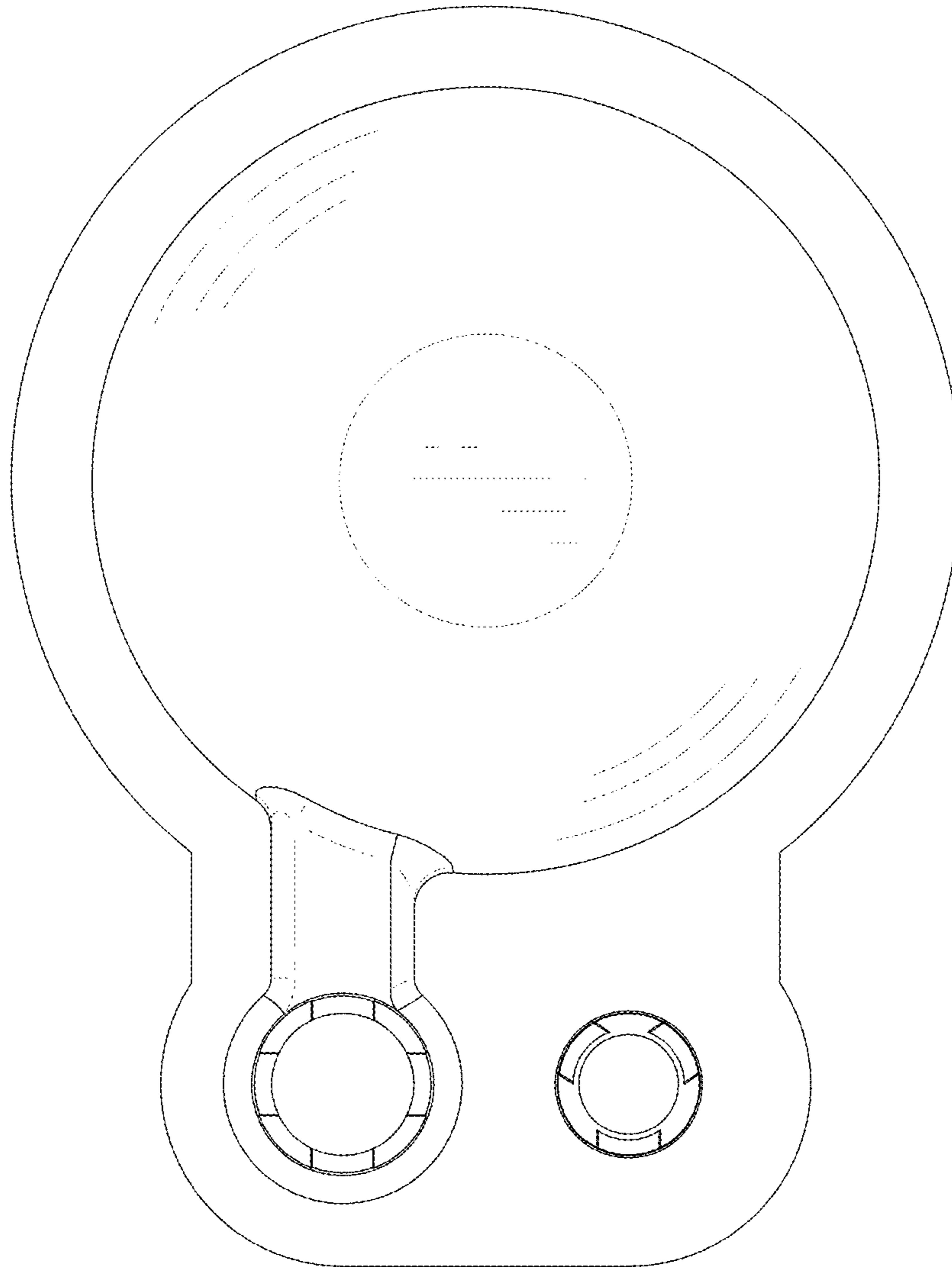


FIG. 4

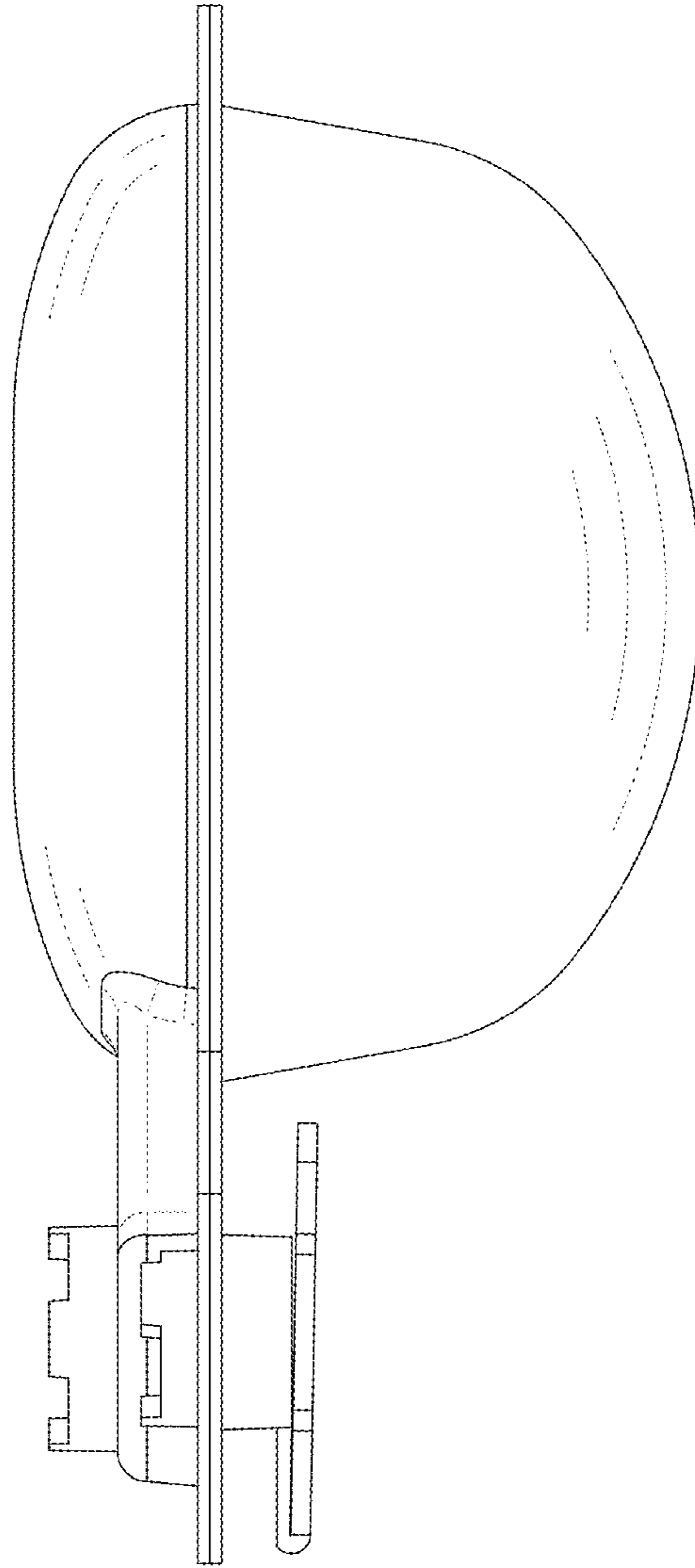


FIG. 5

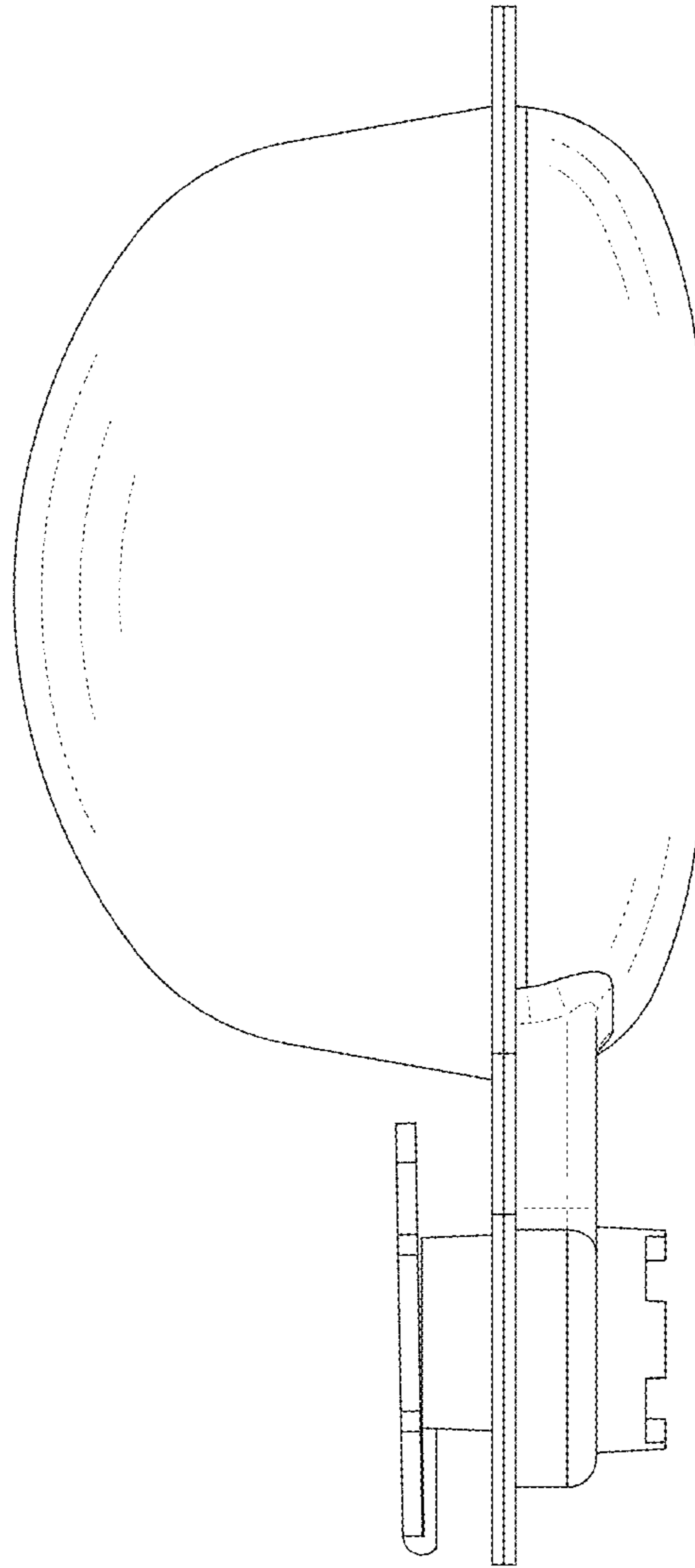


FIG. 6

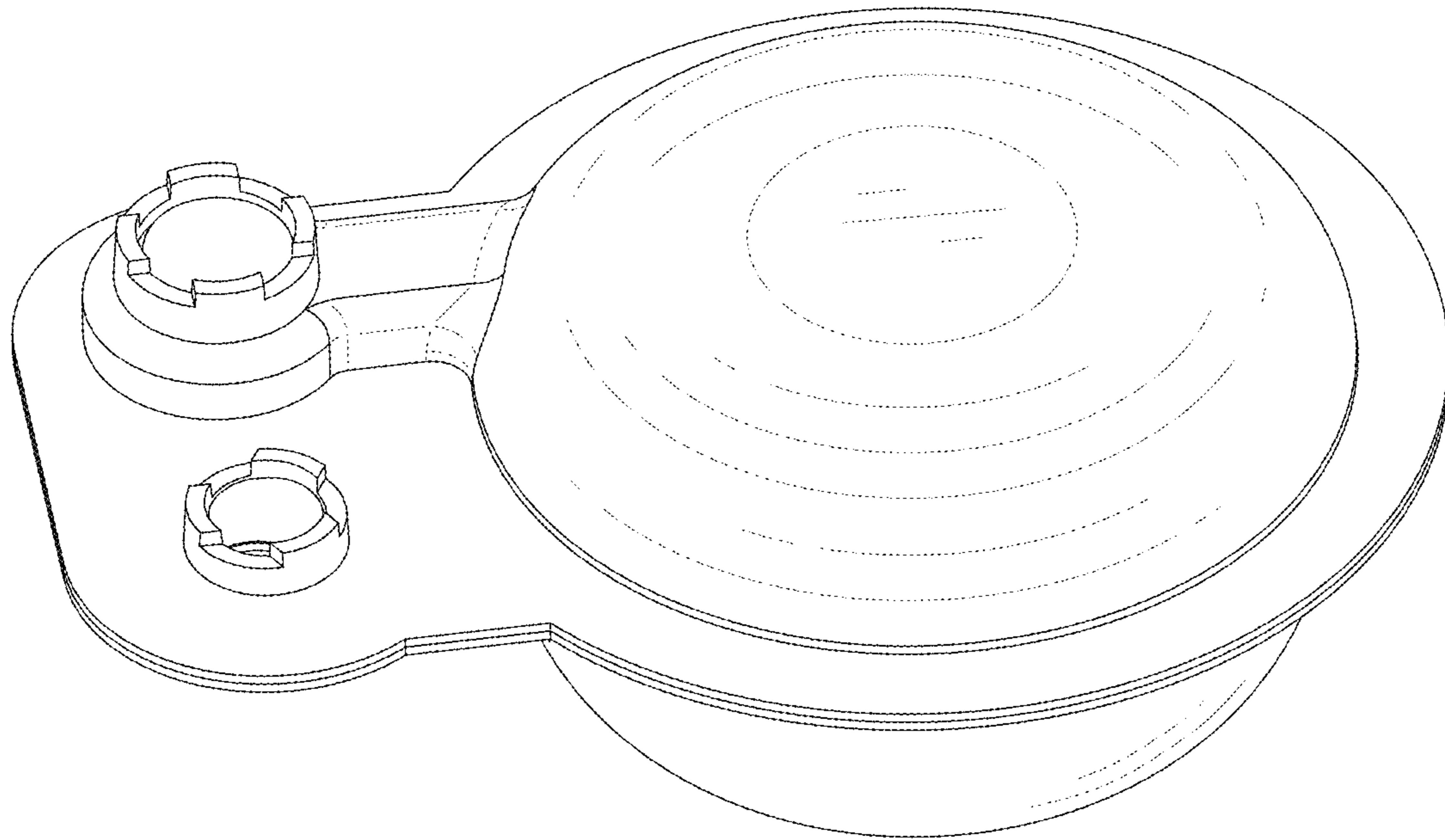


FIG. 7