



US00D884834S

(12) **United States Design Patent**
Breda

(10) **Patent No.:** **US D884,834 S**

(45) **Date of Patent:** **** May 19, 2020**

(54) **CURVED SHOWER BAR**

(71) Applicant: **Silvano Breda**, Vaughn (CA)

(72) Inventor: **Silvano Breda**, Vaughn (CA)

(**) Term: **15 Years**

(21) Appl. No.: **29/685,200**

(22) Filed: **Mar. 27, 2019**

(51) **LOC (12) Cl.** **23-01**

(52) **U.S. Cl.**
USPC **D23/228**

(58) **Field of Classification Search**
USPC D23/304, 228, 266, 303, 223, 229, 28;
D6/524

CPC E03C 1/066; E03C 1/025; E03C 1/0408;
E03C 1/021; E03C 1/06; F16K 11/085;
F16K 11/0856; A47K 2201/02

See application file for complete search history.

(56) **References Cited**

U.S. PATENT DOCUMENTS

D475,437 S * 6/2003 Dimitriadis D23/228
D545,419 S * 6/2007 Nikles D23/304
D552,722 S * 10/2007 Nikles D23/304
D567,904 S * 4/2008 Schonherr D23/228

D665,873 S * 8/2012 Wilson D23/228
D689,983 S * 9/2013 Wilson D23/228
D705,900 S * 5/2014 Bailey D23/228
D719,640 S * 12/2014 Yu D23/228
9,410,309 B2 * 8/2016 Sharratt E03C 1/0408
9,550,196 B2 * 1/2017 Schulte E03C 1/0408

* cited by examiner

Primary Examiner — Gino Colan

(74) *Attorney, Agent, or Firm* — Nasser Ashgriz; UIPatent Inc.

(57) **CLAIM**

The ornamental design for a curved shower bar, as shown and described.

DESCRIPTION

FIG. 1 is a perspective view of a curved shower bar showing the new design;

FIG. 2 is a right side view thereof;

FIG. 3 is a left side view thereof;

FIG. 4 is a front elevational view thereof;

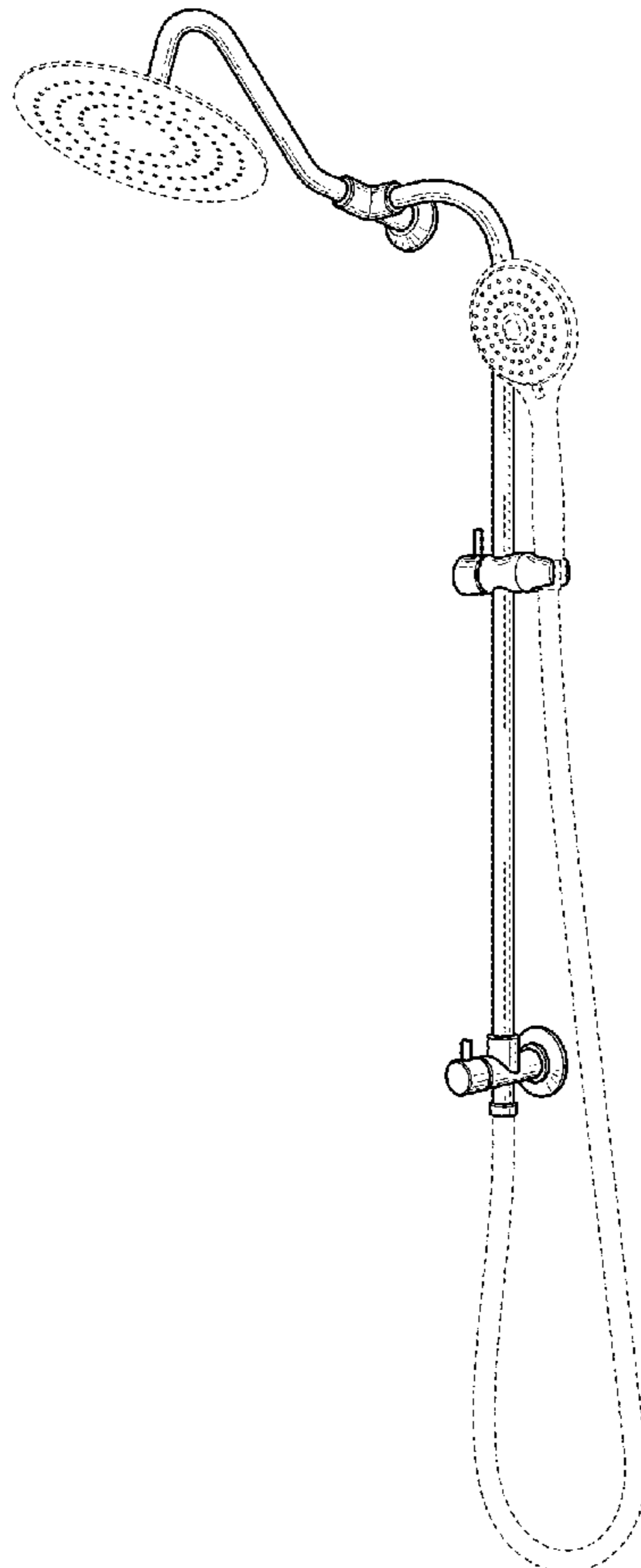
FIG. 5 is a back view thereof;

FIG. 6 is a bottom view thereof; and,

FIG. 7 is a top view thereof.

The broken lines showing a handheld shower head and a shower head are for the purpose of illustrating environment and form no part of the claimed design.

1 Claim, 7 Drawing Sheets



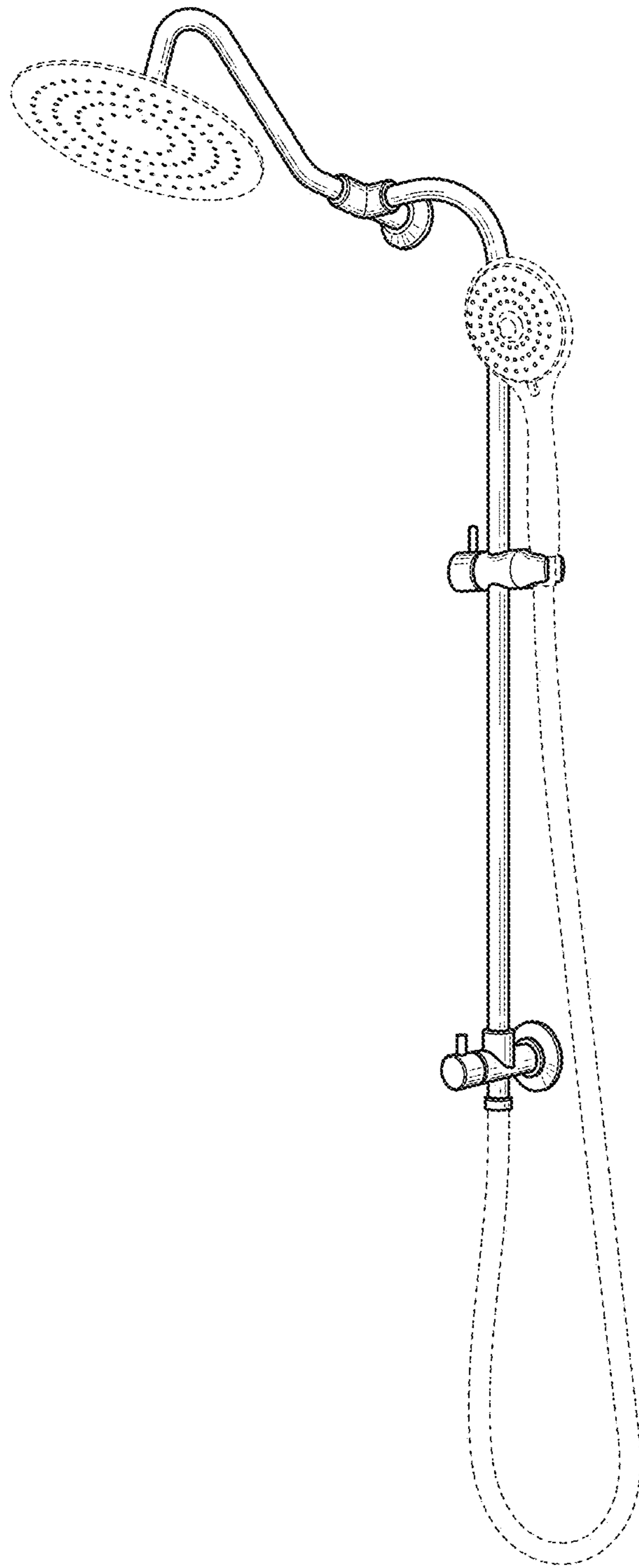


Fig. 1

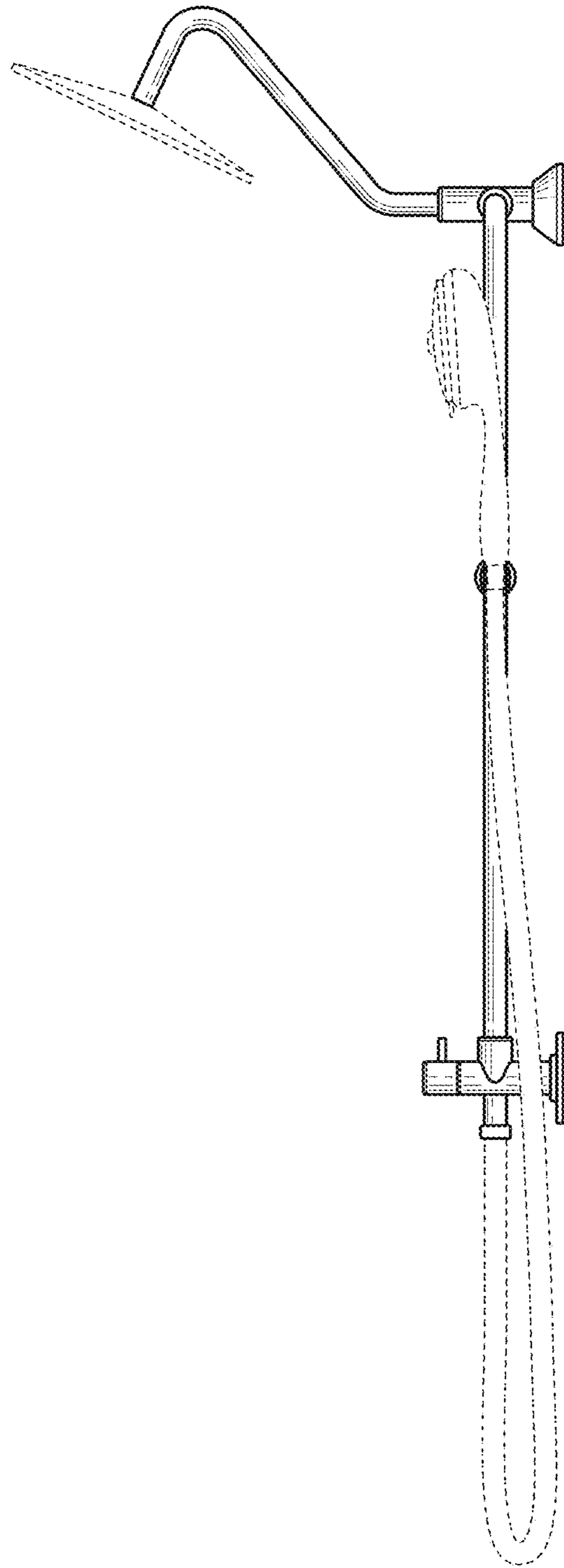


Fig. 2

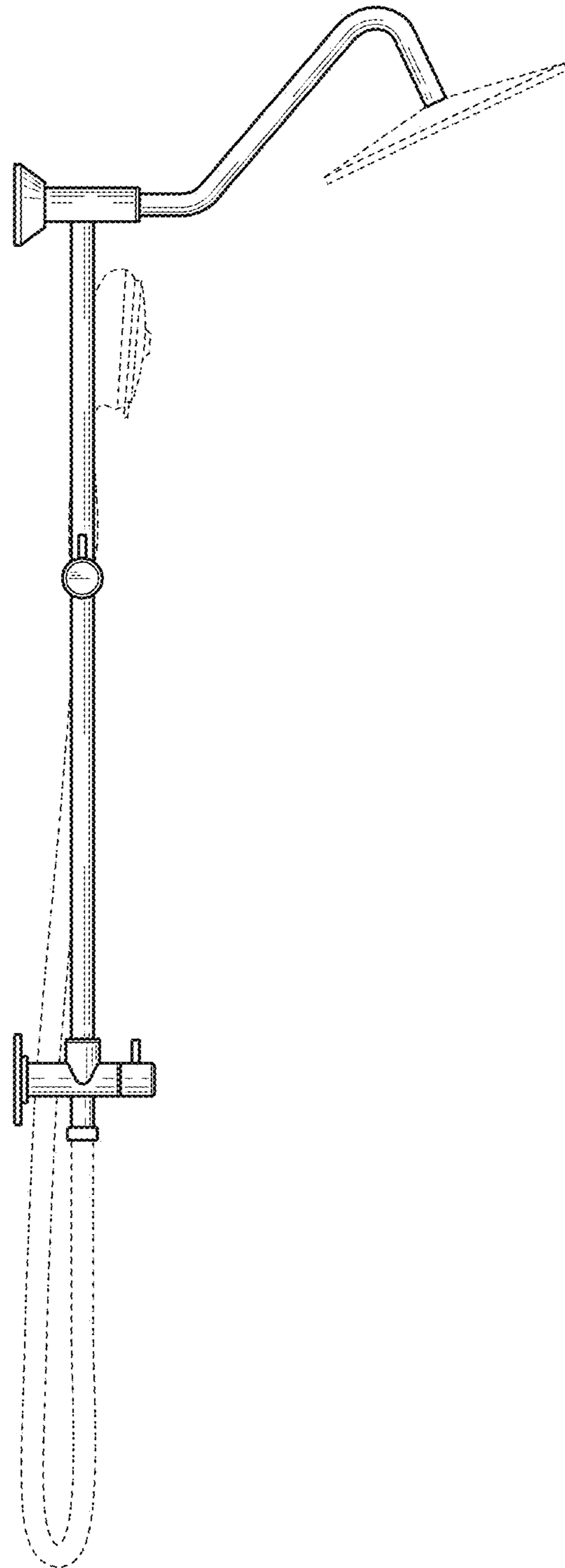


Fig. 3

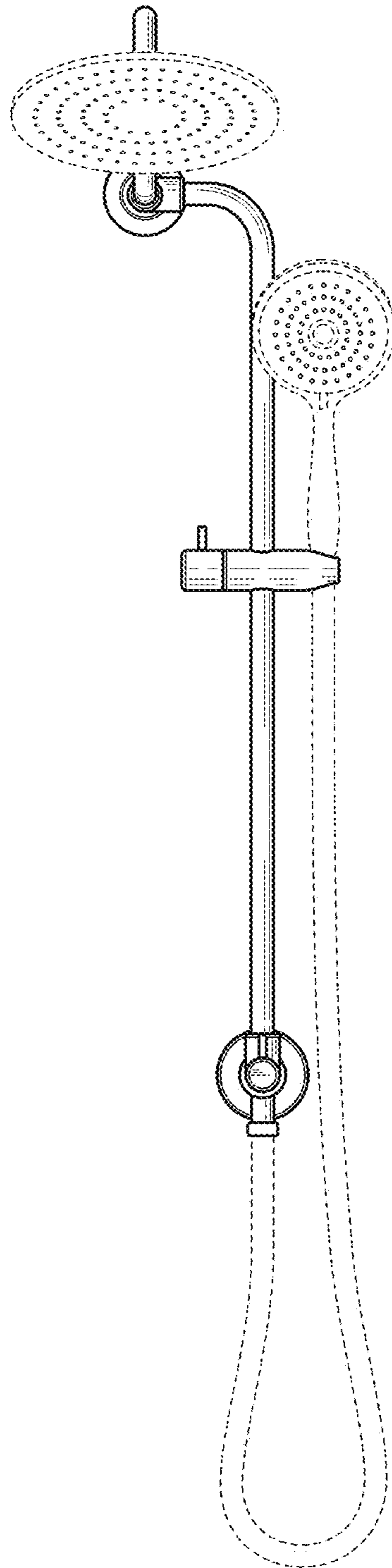


Fig. 4

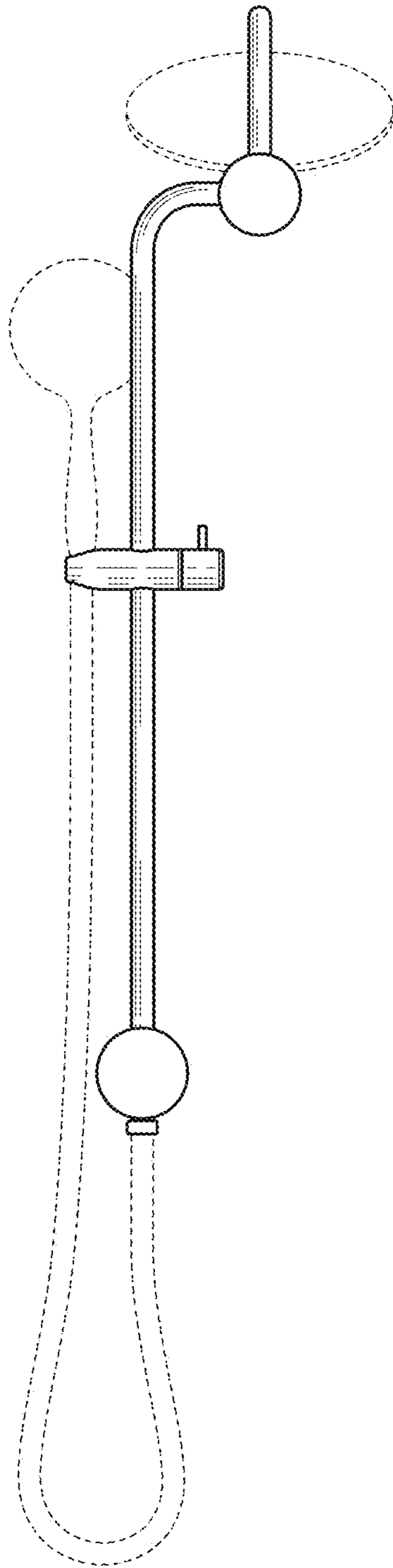


Fig. 5

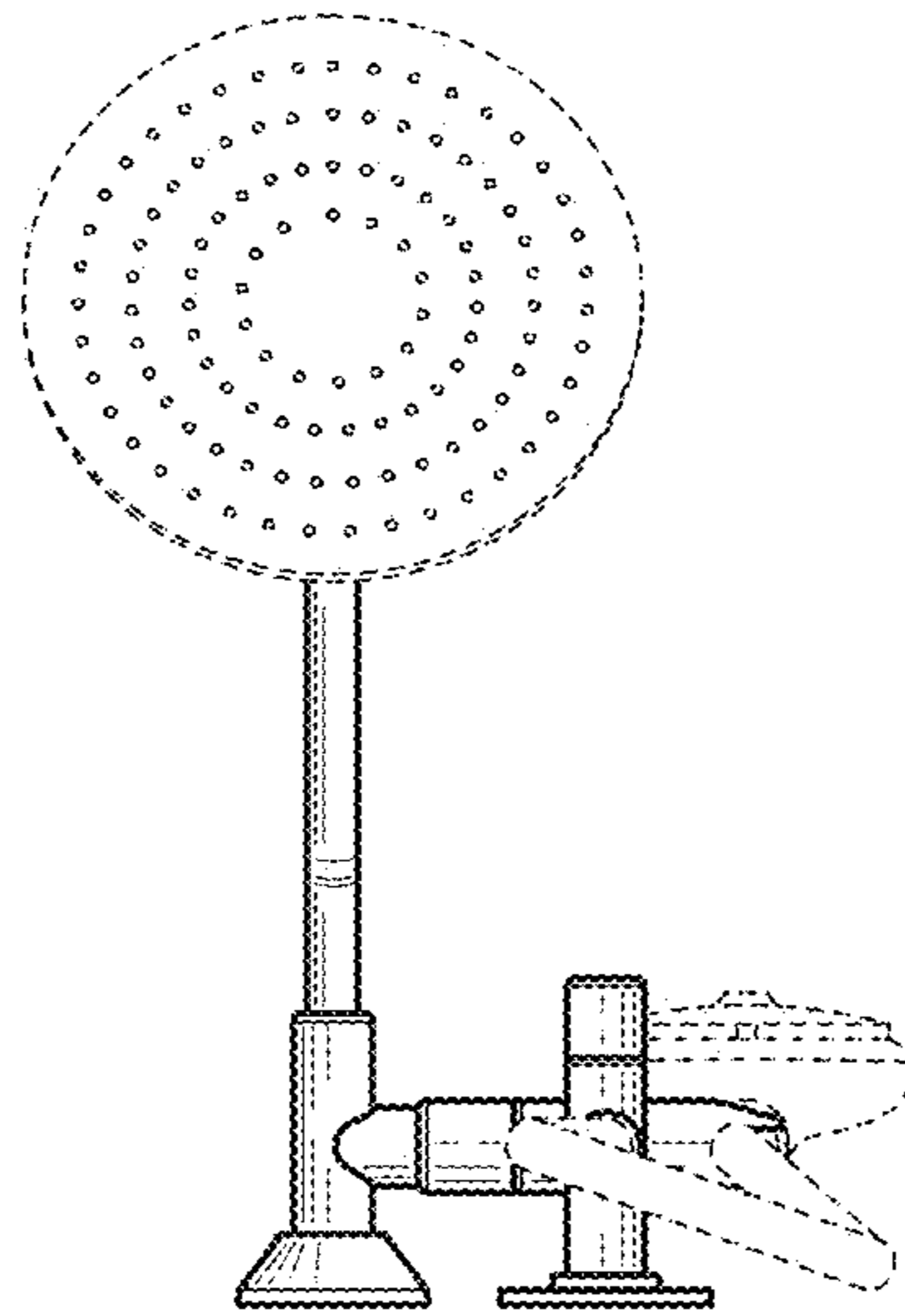


Fig. 6

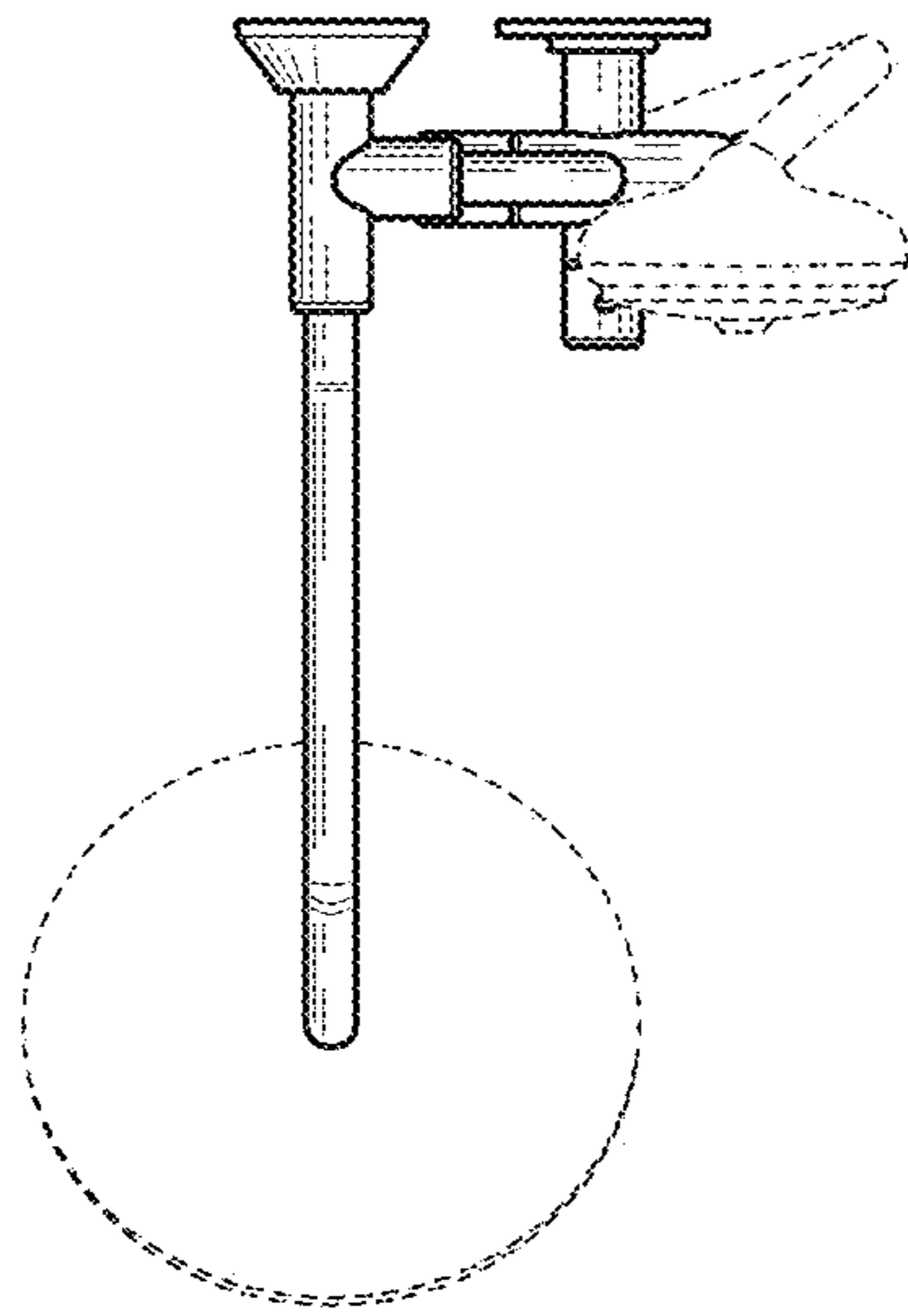


Fig. 7