



US00D884830S

(12) **United States Design Patent**
Pehar et al.

(10) **Patent No.:** **US D884,830 S**

(45) **Date of Patent:** **** May 19, 2020**

(54) **PORTABLE FUEL TANK HANDLE**

(71) Applicants: **David Michael Pehar**, Willoughby, OH (US); **John Samuel McKenzie**, Aurora, OH (US); **Robert Allen Vystreil**, Garrettsville, OH (US)

(72) Inventors: **David Michael Pehar**, Willoughby, OH (US); **John Samuel McKenzie**, Aurora, OH (US); **Robert Allen Vystreil**, Garrettsville, OH (US)

(73) Assignee: **Scepter Manufacturing, LLC**, Wilmington, DE (US)

(**) Term: **15 Years**

(21) Appl. No.: **29/646,624**

(22) Filed: **May 6, 2018**

(51) **LOC (12) Cl.** **09-01**

(52) **U.S. Cl.**

USPC **D23/211.1**; D9/516; D9/533; D9/528

(58) **Field of Classification Search**

USPC D9/500, 502, 516, 530, 537, 539, 542, D9/549, 763-783, 531, 533, 523, D9/526-528, 559, 560, 563, 572, 575, D9/434, 443; D23/211, 211.1, 211.2
CPC B21D 51/26; B21D 51/383; B29C 66/71; B65D 1/00; B65D 1/02; B65D 1/12; B65D 1/14; B65D 1/40; B65D 1/44; B65D 1/023; B65D 1/0223; B65D 1/165; B65D 1/238; B65D 1/246; B65D 1/253; B65D 7/04; B65D 21/0209; B65D 21/0233; B65D 25/00; B65D 25/28; B65D 41/0457; B65D 41/17; B65D 53/06; B65D 75/56; B65D 79/005; B65D 2501/0036; B65D 2543/00064; B65D 2543/00074; B65D 2543/00083; B65D 2543/00092; B65D 2543/00101; B65D 2543/00111; Y10T 29/49826

See application file for complete search history.

(56) **References Cited**

U.S. PATENT DOCUMENTS

D312,210 S * 11/1990 Myerson D9/528
D339,066 S * 9/1993 Brown D9/520
D435,451 S * 12/2000 Giugiaro D9/528

(Continued)

Primary Examiner — Keli L Hill

(57) **CLAIM**

The ornamental design for a portable fuel tank handle, as described in the figures.

DESCRIPTION

FIG. 1 is a perspective view of the body of a portable fuel tank handle showing our new design;

FIG. 2 is left side view thereof;

FIG. 3 is a right side view thereof;

FIG. 4 is a front side view thereof;

FIG. 5 is a rear side view thereof;

FIG. 6 is a top view; and

FIG. 7 is a bottom view.

FIG. 8 is a perspective view of a second embodiment of portable fuel tank handle shown in FIG. 1, the only difference between the embodiments in FIG. 1 and FIG. 2 being the shape of the middle and lower attachment of the handle to the tank body, it being understood that all other surfaces are the same as those of the first embodiment;

FIG. 9 is left side view of the second embodiment;

FIG. 10 is a right side view of the second embodiment;

FIG. 11 is a front side view of the second embodiment;

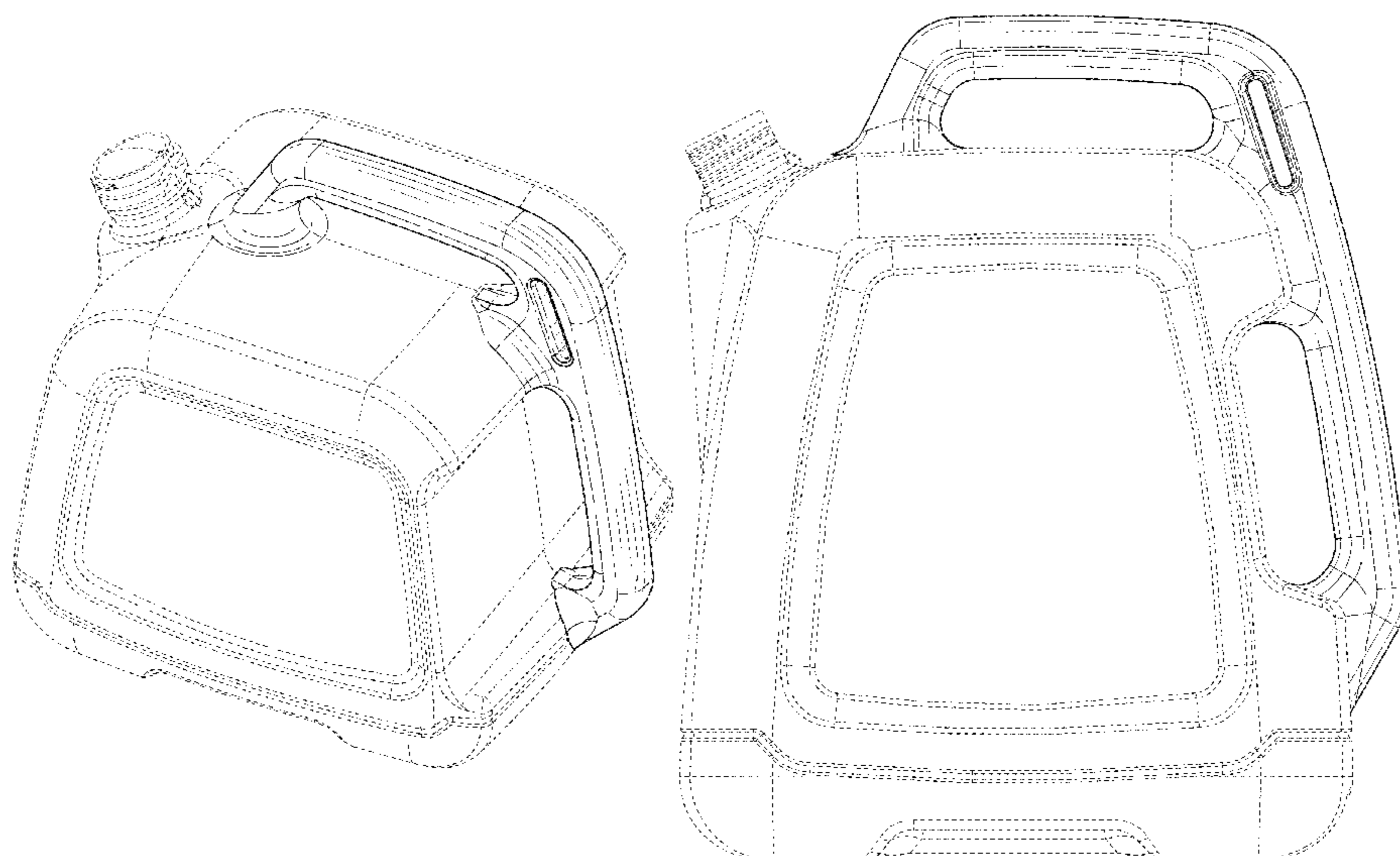
FIG. 12 is a rear side view of the second embodiment;

FIG. 13 is a top view of the second embodiment; and,

FIG. 14 is a bottom view of the second embodiment of FIG. 1.

The broken line showing of the fuel tank is included for the purpose of illustrating environment of the article and forms no part of the claimed design.

1 Claim, 14 Drawing Sheets



(56)

References Cited

U.S. PATENT DOCUMENTS

D496,864 S *	10/2004	Reynolds	D9/528
D520,368 S *	5/2006	Dorn	D9/520
D595,586 S *	7/2009	Kissinger	D9/528
D608,208 S *	1/2010	Vaughan	D9/528
D616,752 S *	6/2010	Adams	D9/527
D654,796 S *	2/2012	Wurth	D9/528
D656,401 S *	3/2012	Hickey	D9/527
D658,062 S *	4/2012	Kim	D9/528
D747,968 S *	1/2016	Martin	D9/453
D799,972 S *	10/2017	Jost	D9/528
D828,169 S *	9/2018	Cowan-Hughes	D9/528
D867,889 S *	11/2019	Baumann	D9/528

* cited by examiner

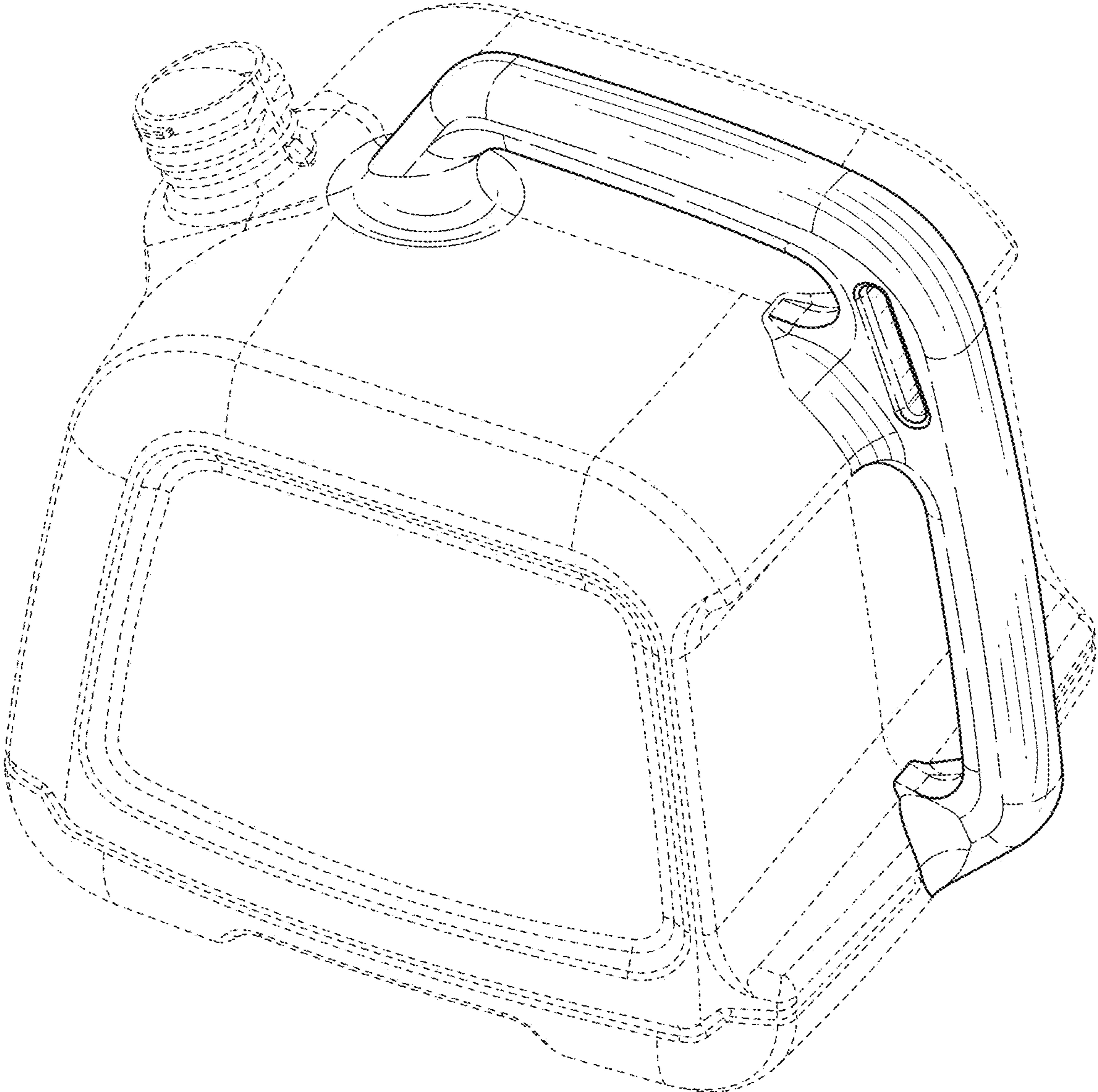


FIG. 1

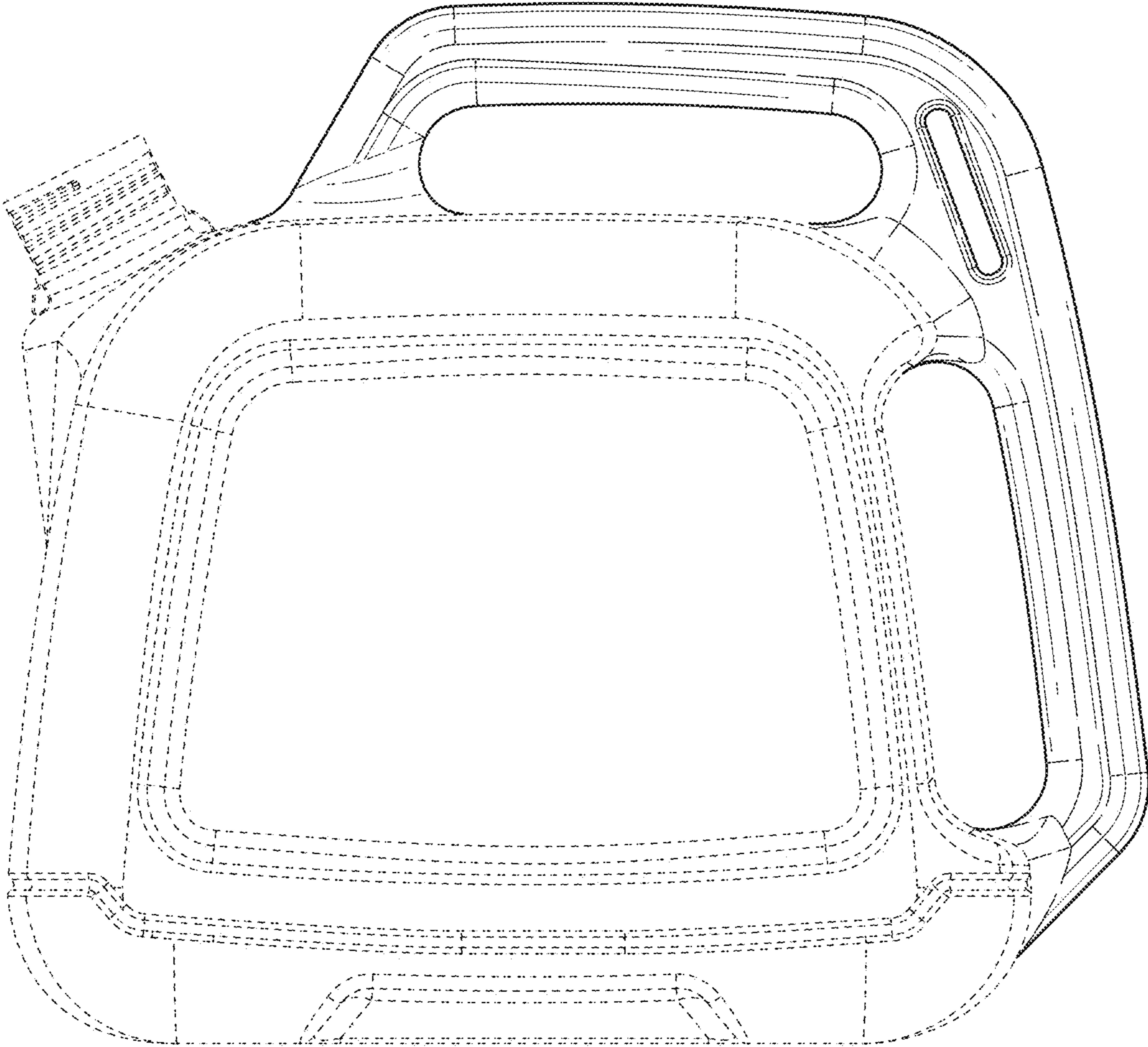


FIG. 2

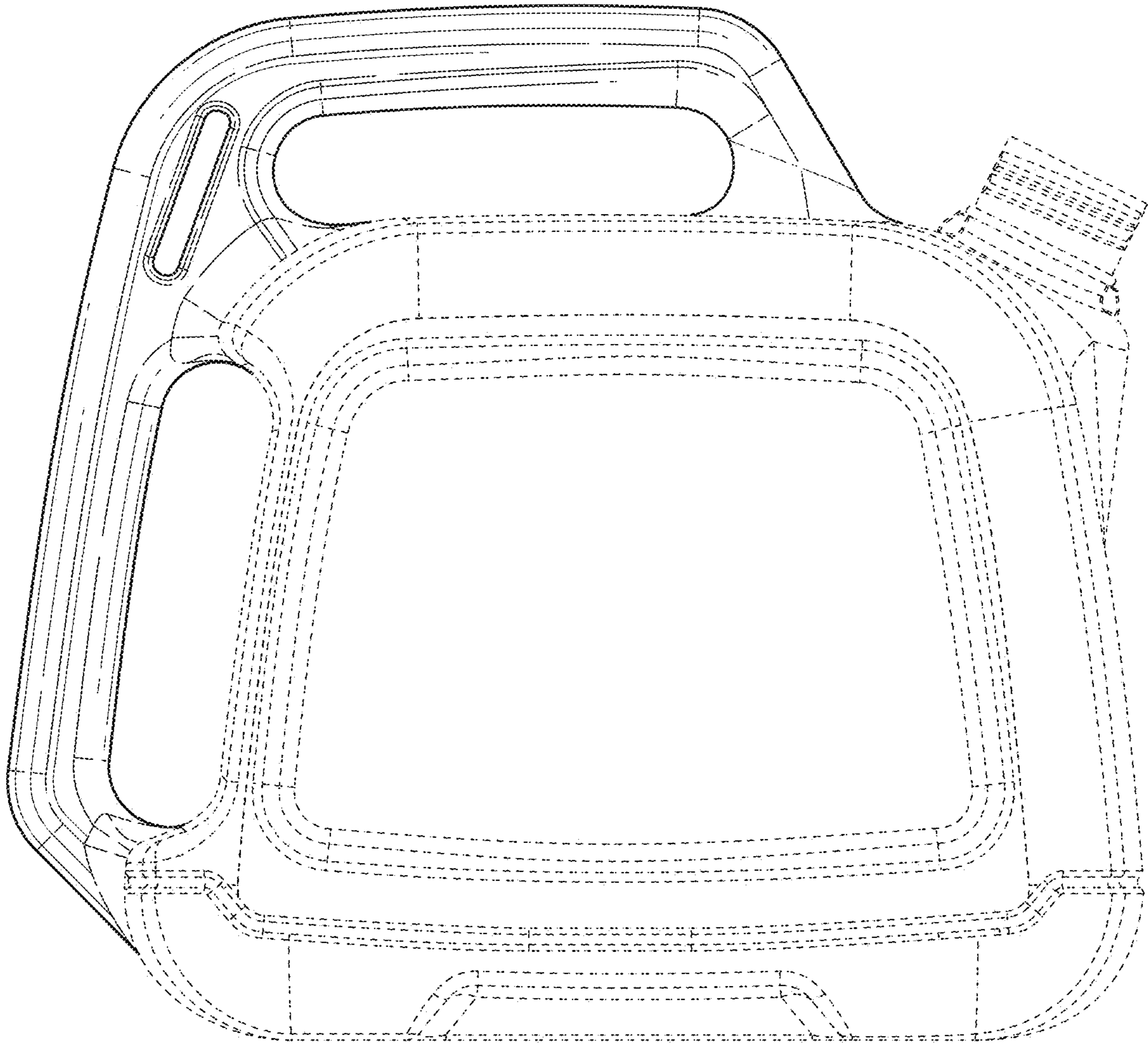


FIG. 3

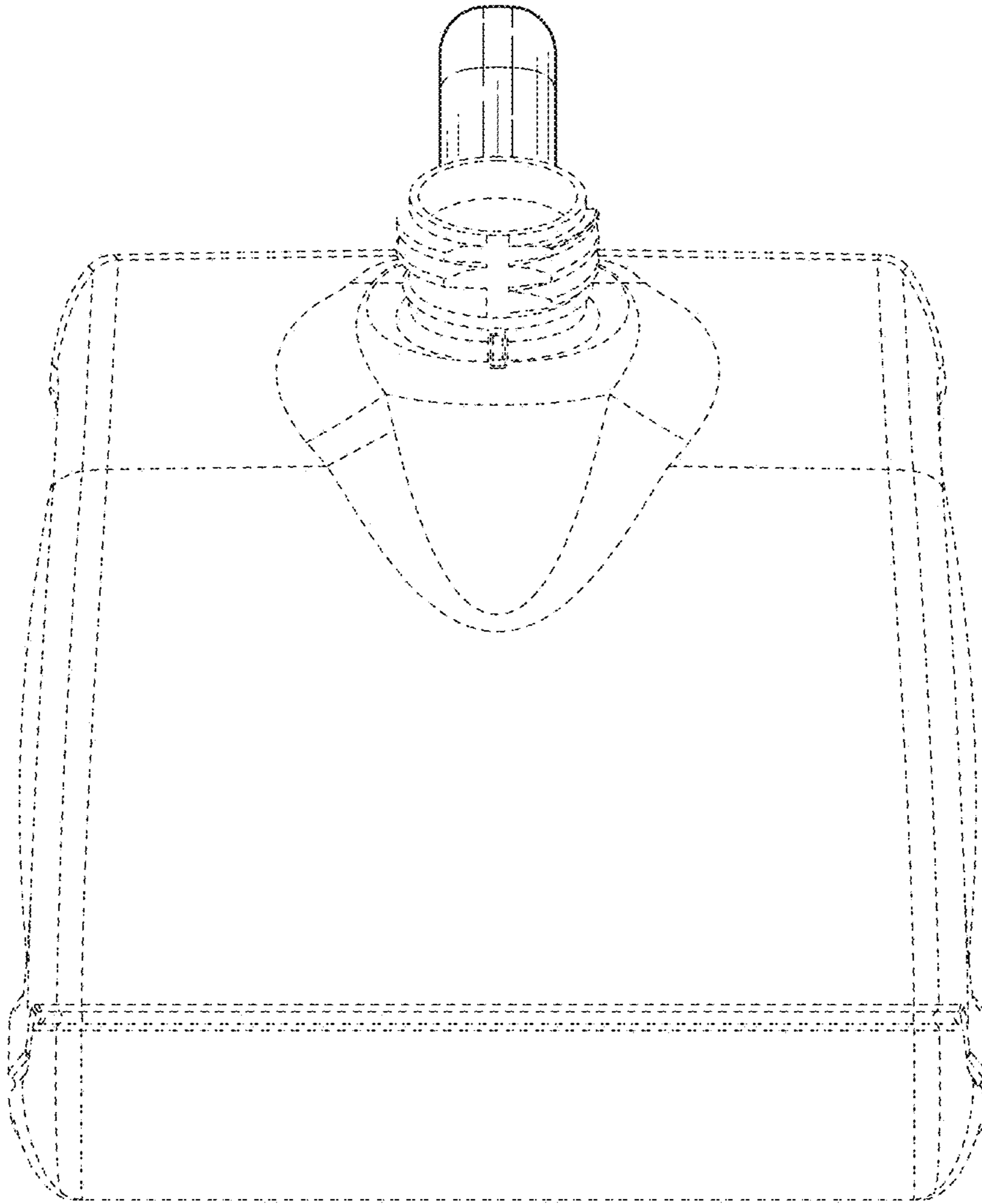


FIG. 4

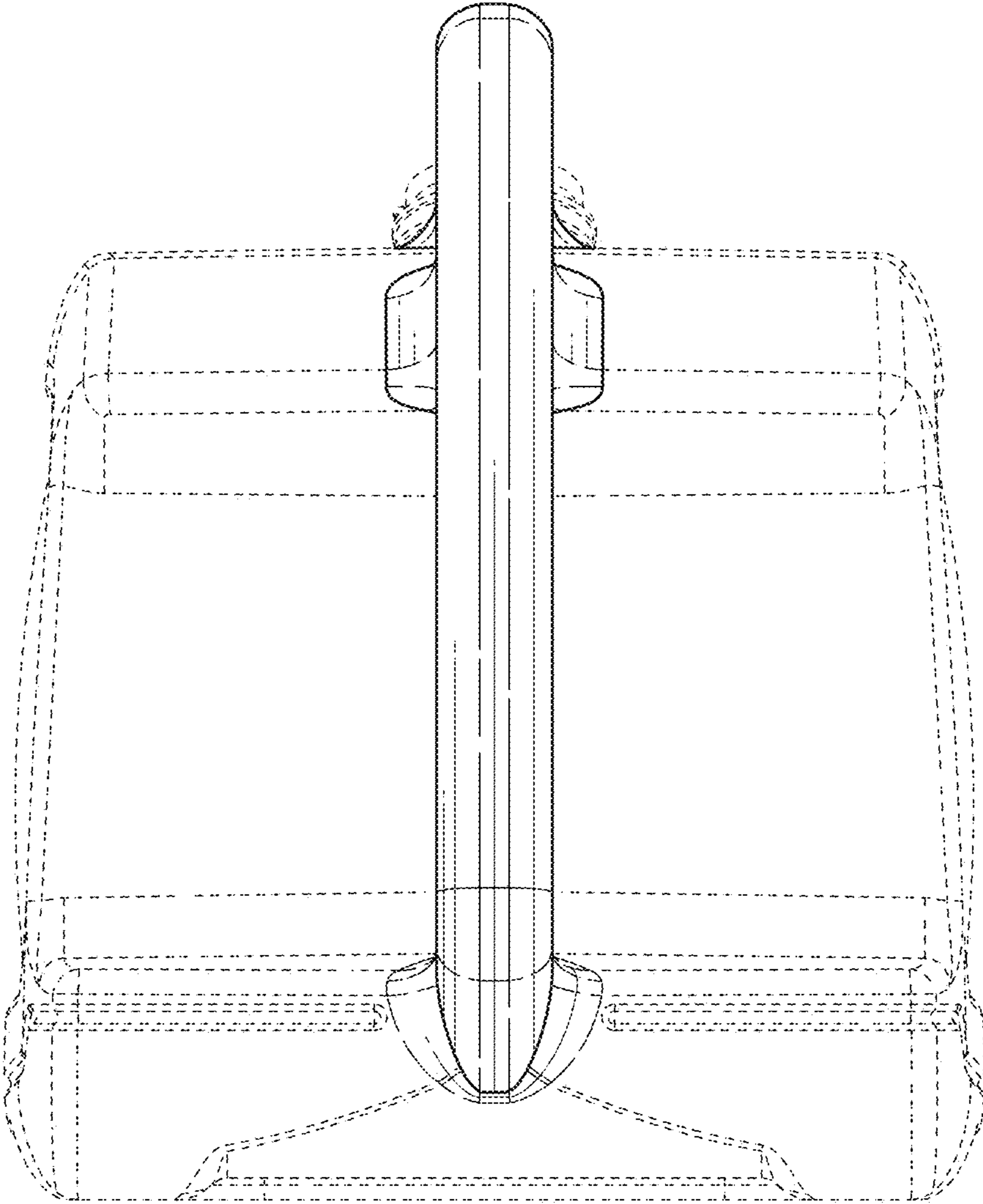


FIG. 5

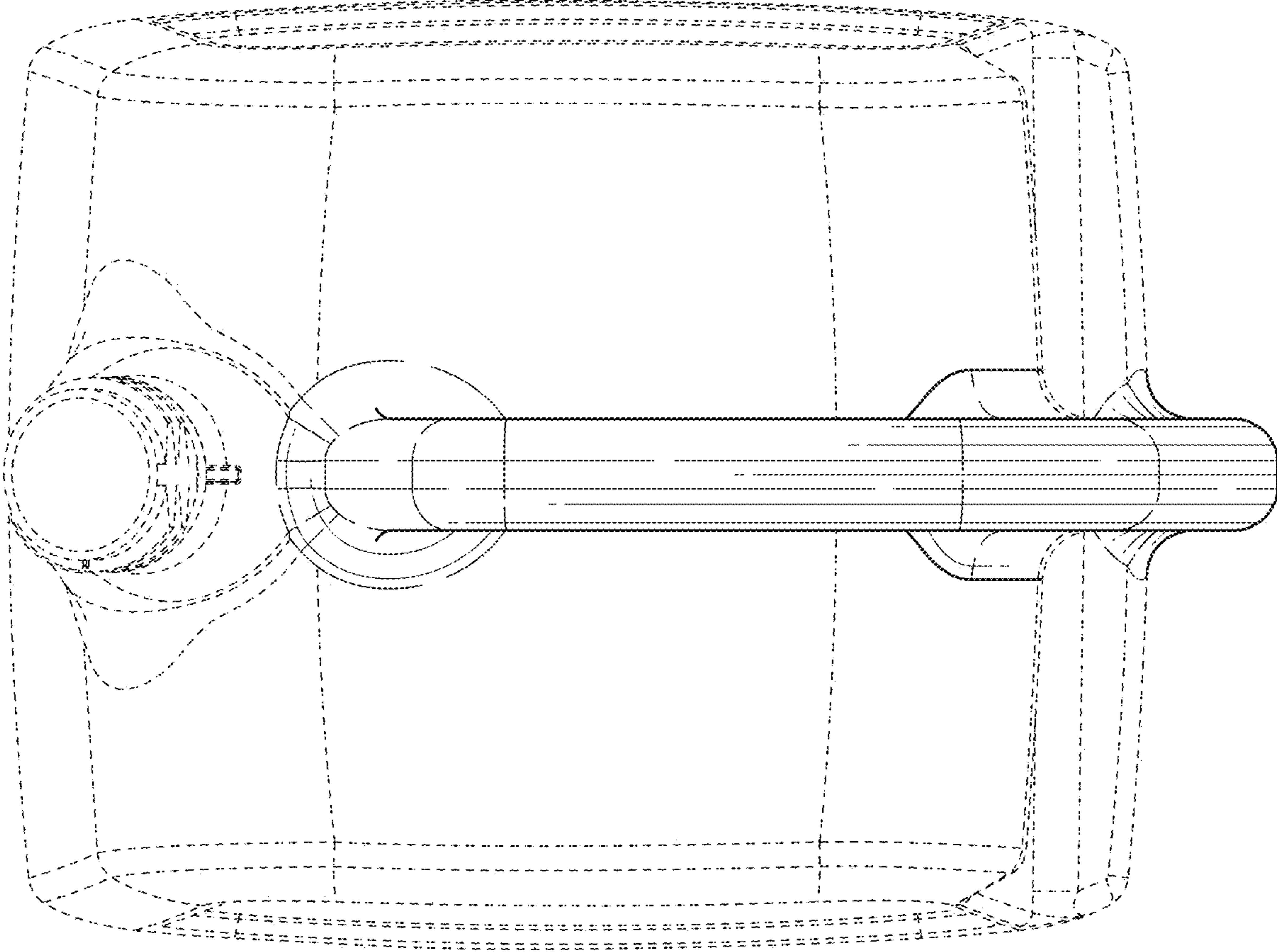


FIG. 6

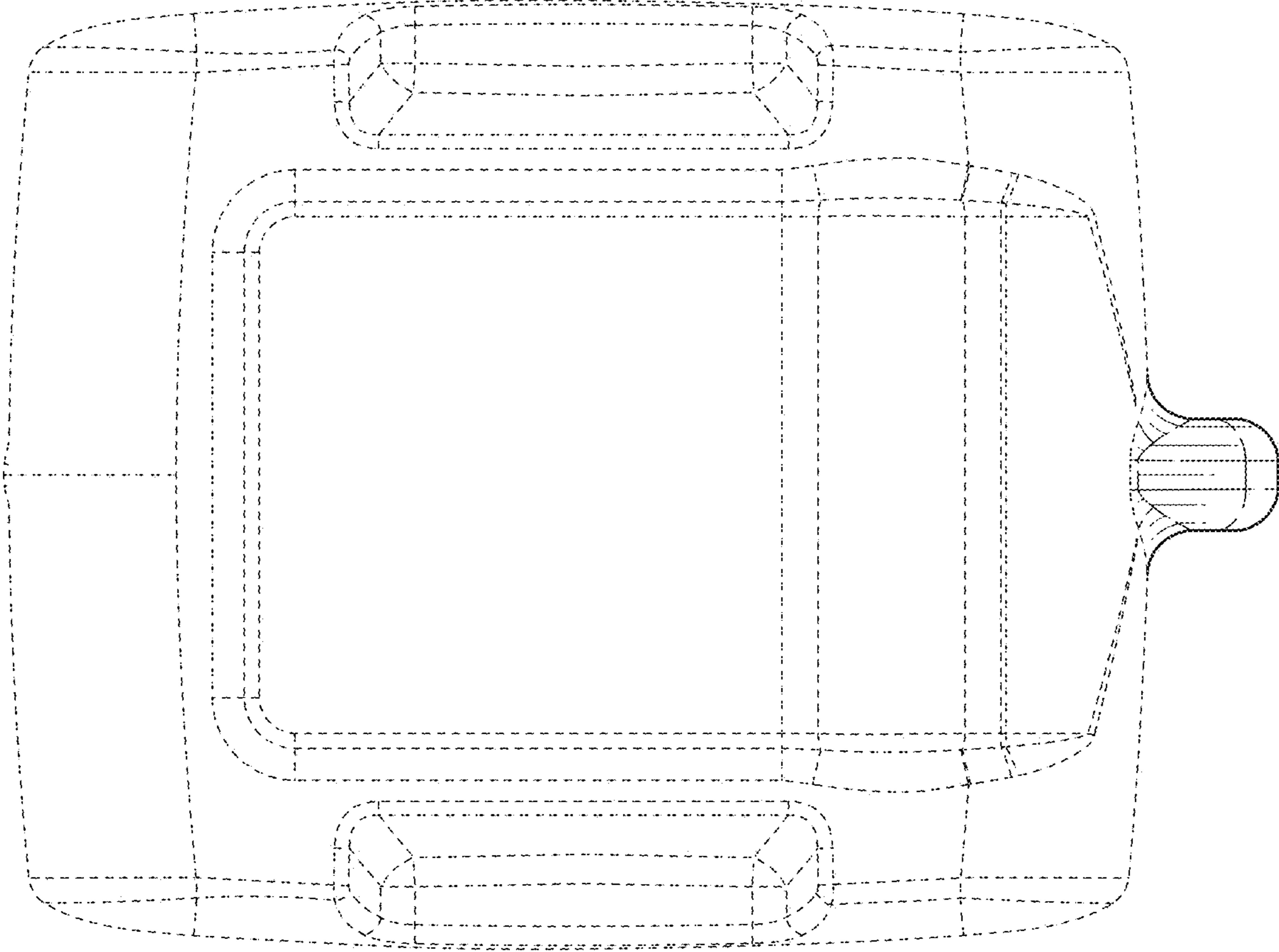


FIG. 7

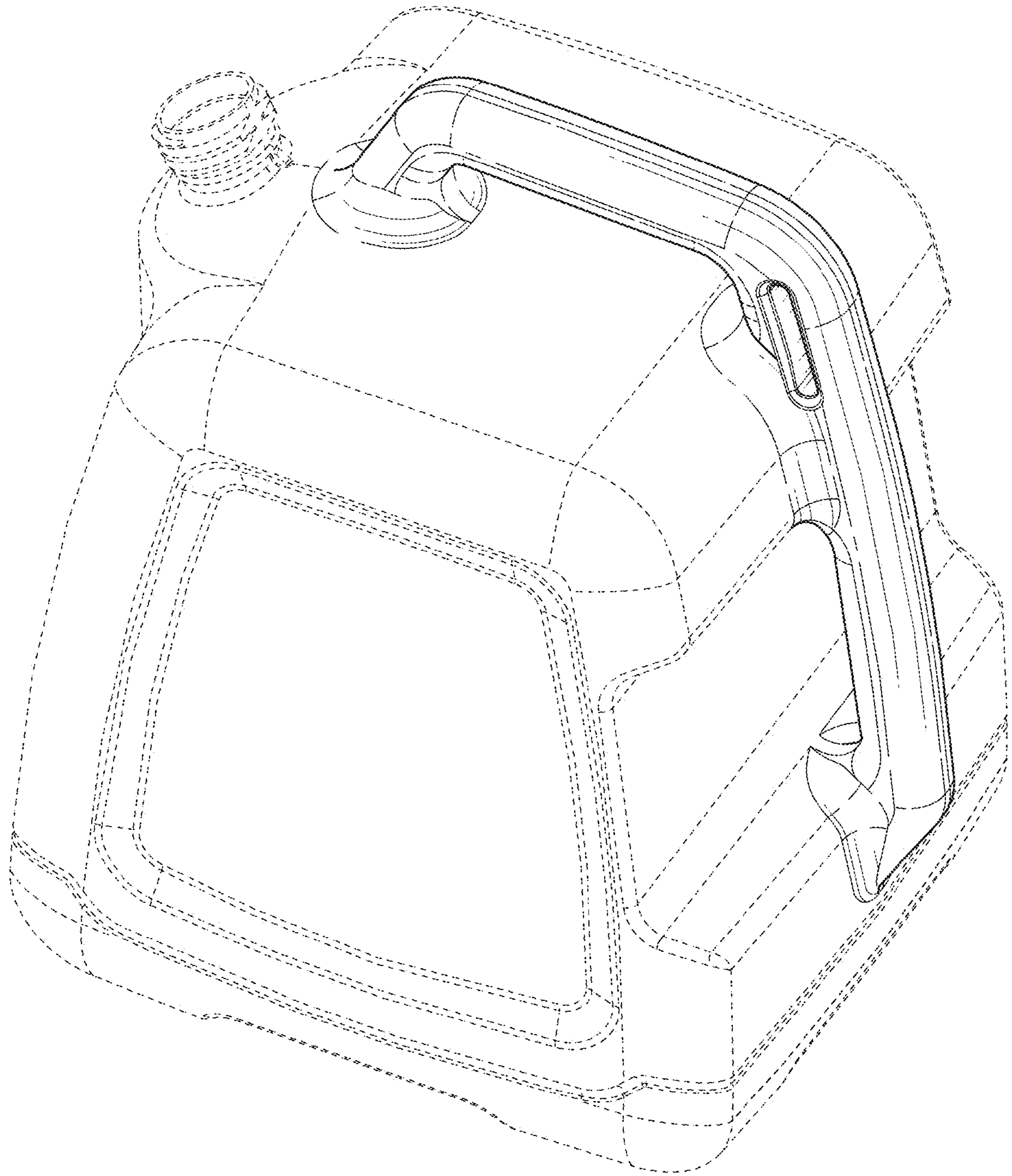


FIG. 8

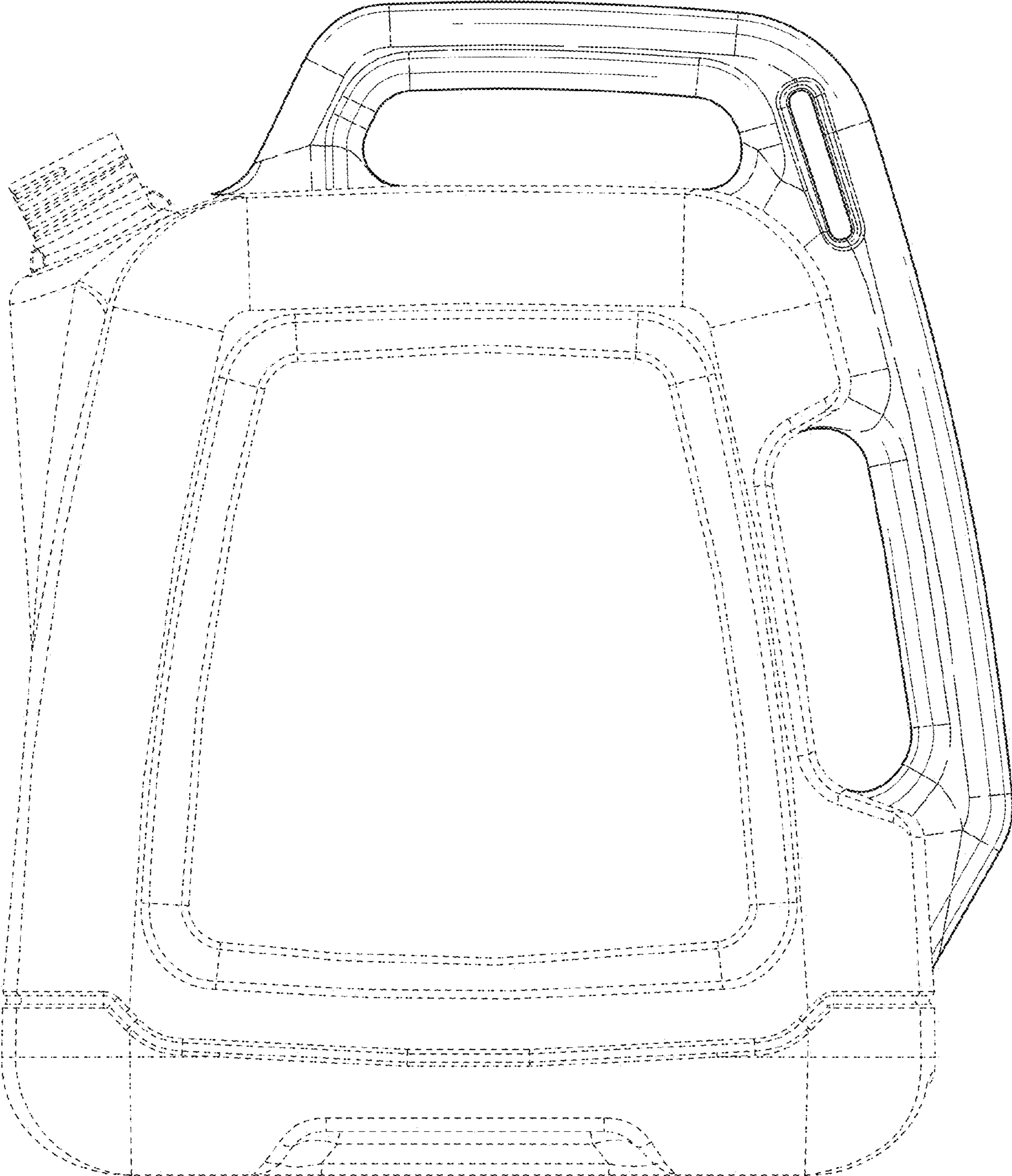


FIG. 9

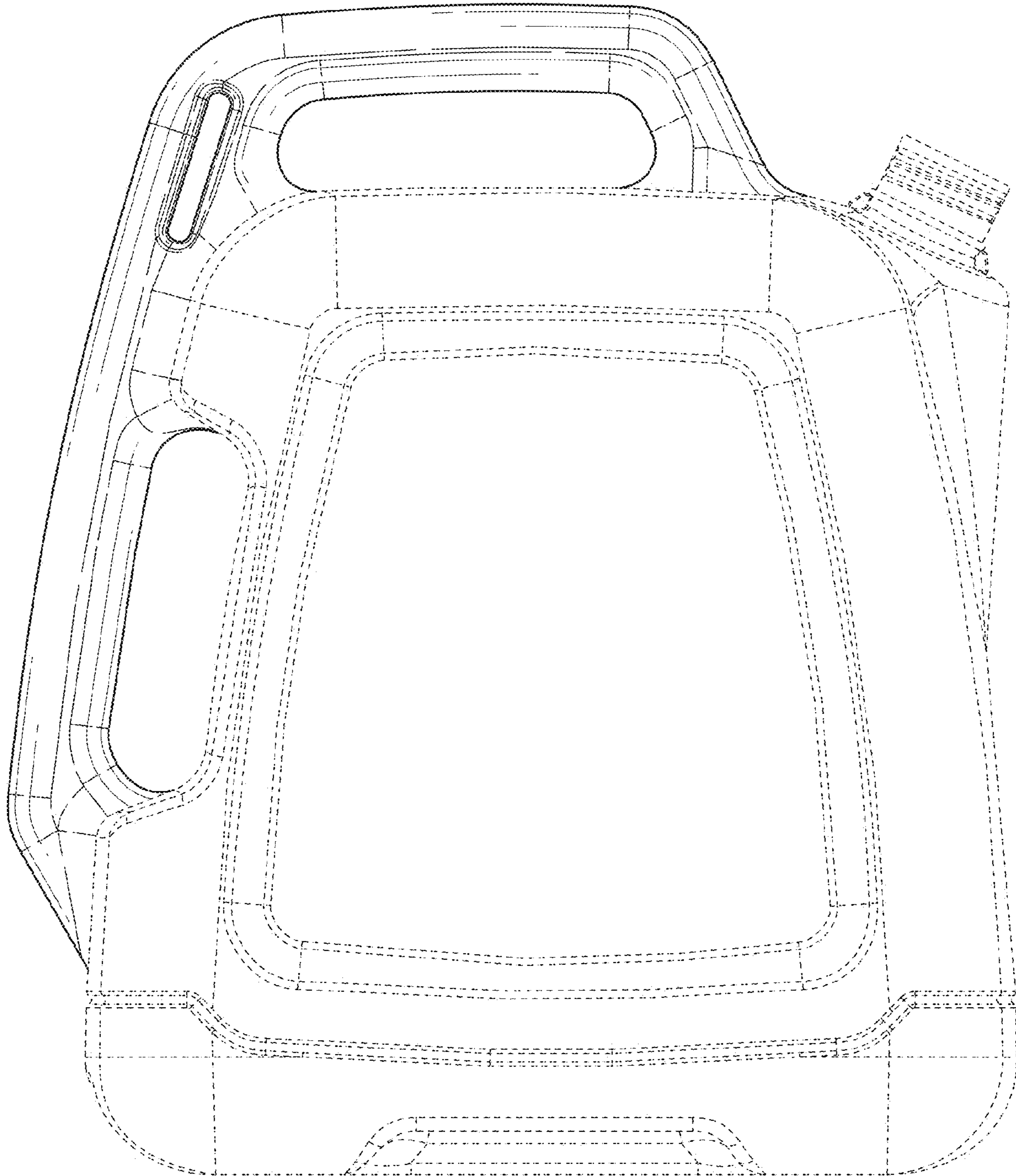


FIG. 10

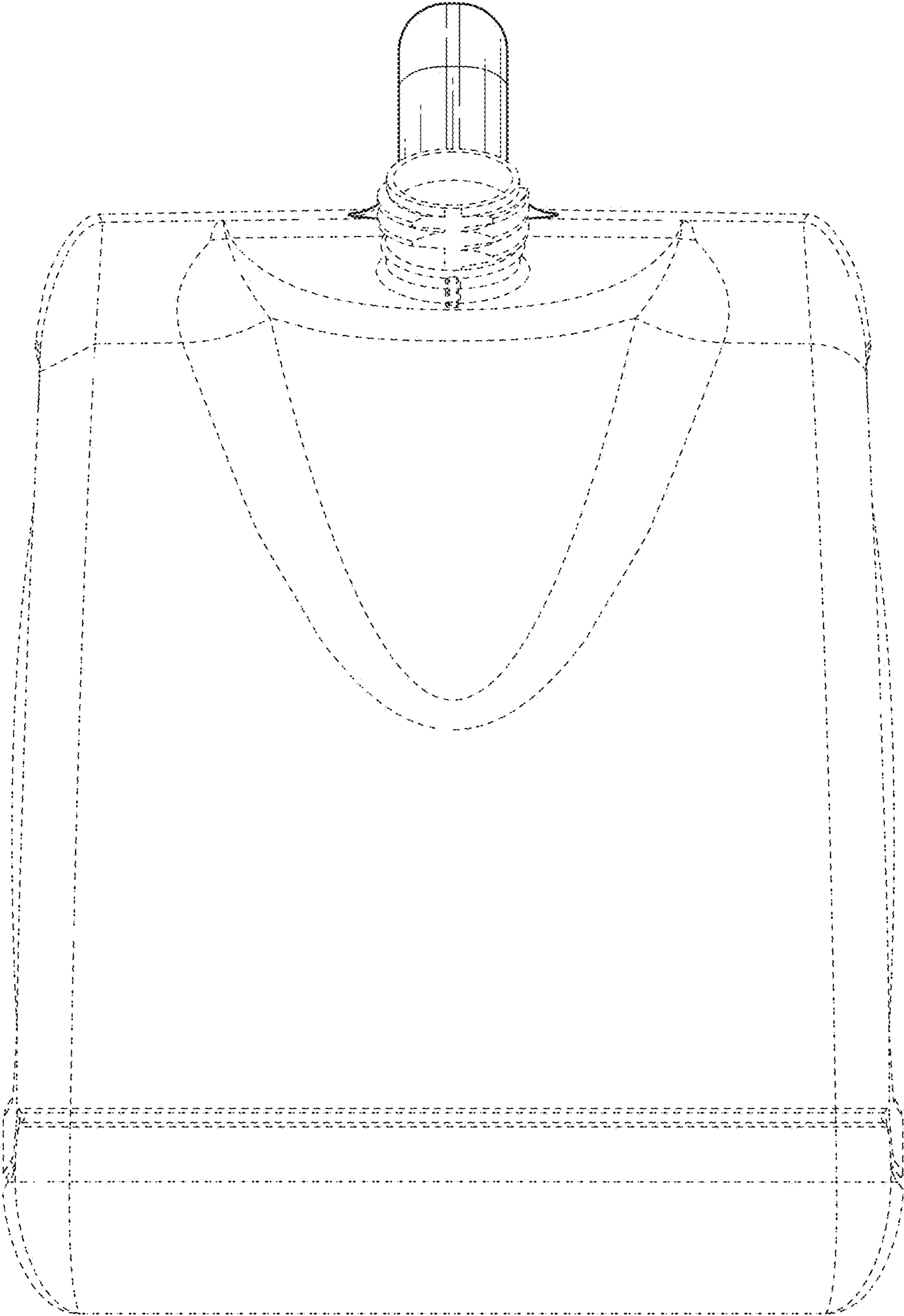


FIG. 11

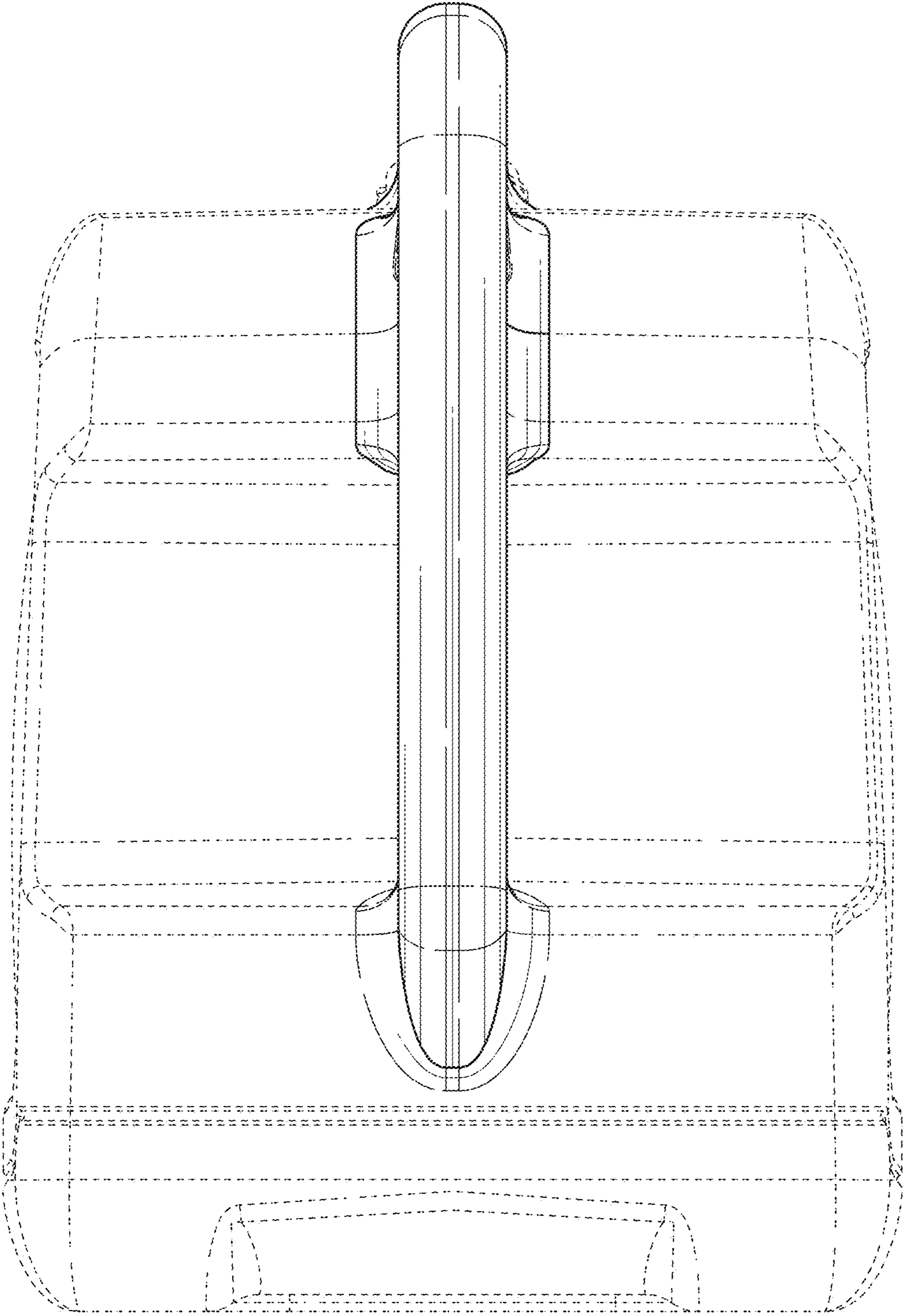


FIG. 12

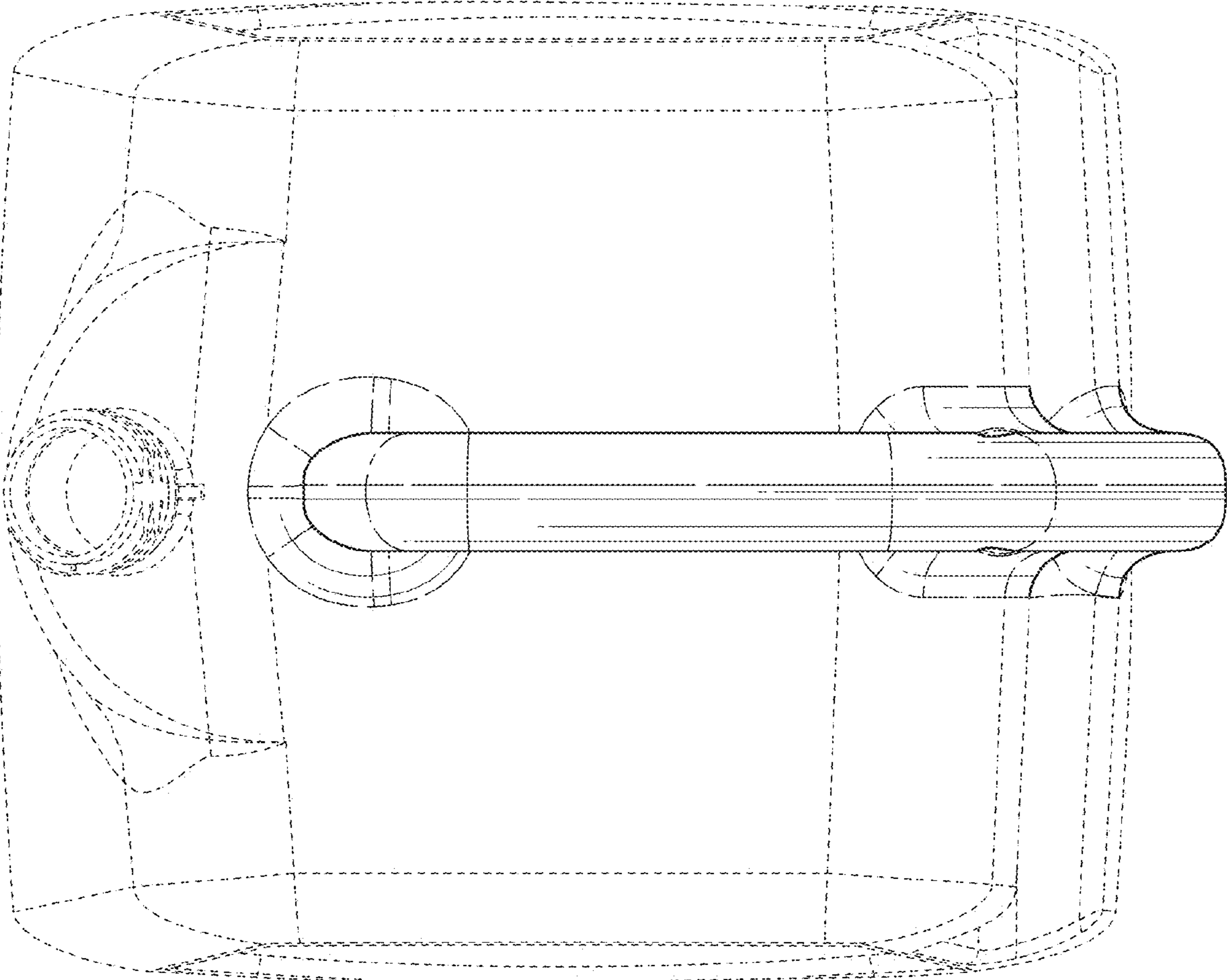


FIG. 13

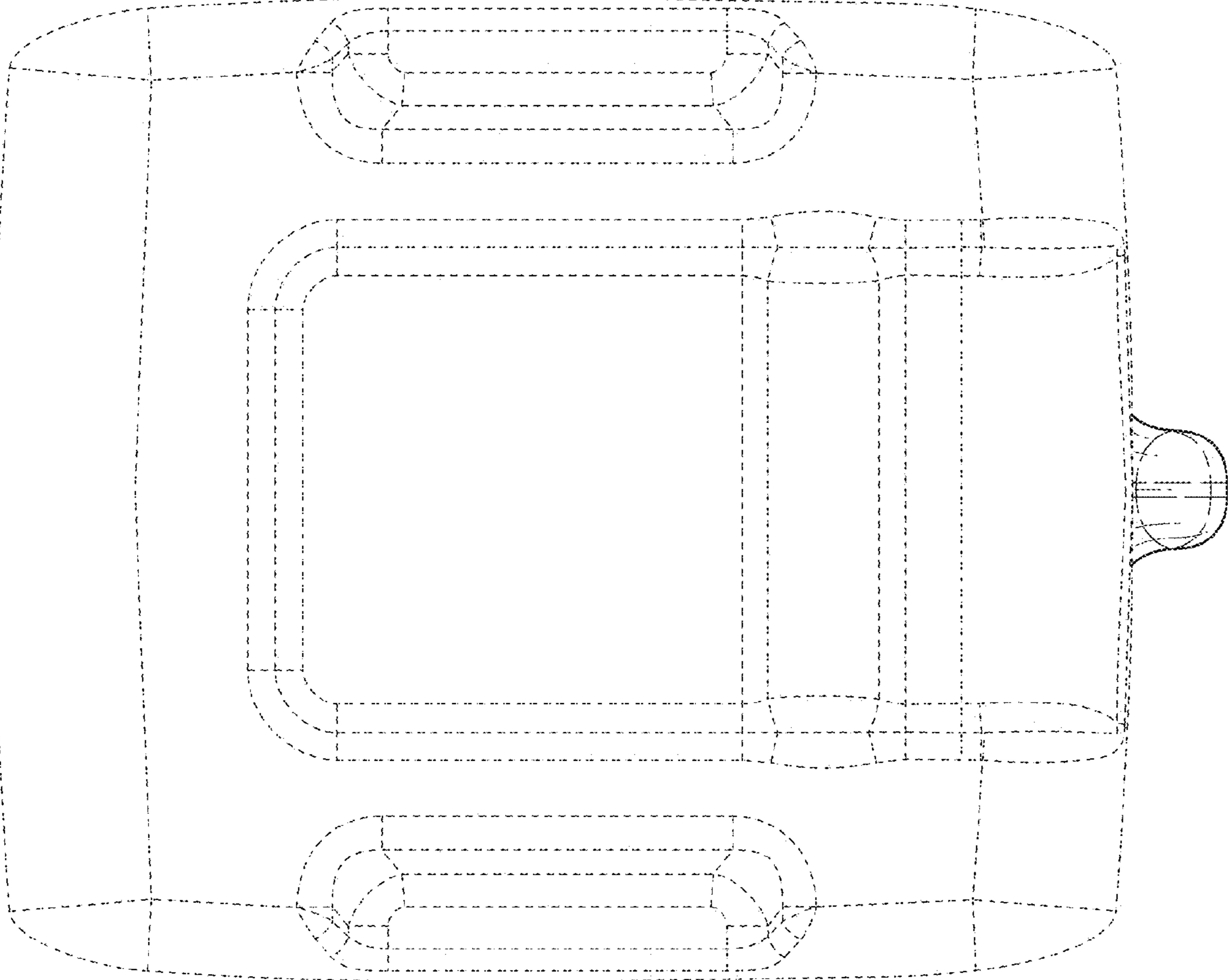


FIG. 14