



US00D884829S

(12) **United States Design Patent** (10) **Patent No.:** **US D884,829 S**  
**Kikuya et al.** (45) **Date of Patent:** **\*\* May 19, 2020**

(54) <b>DEGASSING/AERATION MEMBRANE MODULE</b>	D561,300 S * 2/2008 Baba ..... D23/209
	8,449,659 B2 * 5/2013 Taylor ..... B01D 19/0031
	95/46
(71) Applicant: <b>Mitsubishi Chemical Cleansui Corporation, Shinagawa-ku (JP)</b>	D705,390 S * 5/2014 Okazaki ..... D23/207
	D705,391 S * 5/2014 Okazaki ..... D23/207
	D711,502 S * 8/2014 Savoy ..... D23/209
	8,876,945 B2 * 11/2014 Taylor ..... B01D 19/0031
	95/46
(72) Inventors: <b>Nobuyuki Kikuya, Chiyoda-ku (JP); Yoshie Tanizaki, Chiyoda-ku (JP); Hiroyuki Okazaki, Chiyoda-ku (JP)</b>	D776,786 S * 1/2017 Okazaki ..... D23/209
	D820,383 S * 6/2018 Okazaki ..... D23/207
	2004/0050786 A1 * 3/2004 Dey ..... B01D 19/0031
	210/640
(73) Assignee: <b>Mitsubishi Chemical Cleansui Corporation, Shinagawa-ku (JP)</b>	2007/0056893 A1 * 3/2007 Noh ..... B01D 63/021
	210/321.61

(Continued)

(\*\*) Term: **15 Years**

(21) Appl. No.: **29/657,114**

(22) Filed: **Jul. 19, 2018**

(30) **Foreign Application Priority Data**

Jan. 23, 2018 (JP) ..... 2018-001172

(51) **LOC (12) Cl.** ..... **23-01**

(52) **U.S. Cl.**  
USPC ..... **D23/209**

(58) **Field of Classification Search**  
USPC ..... D23/200, 207, 208, 209; 210/87, 232, 210/238, 244, 282, 747.3, 767; D7/700; D32/53; D24/162, 132; 4/223, 225.1, 4/227.1, 231

CPC .. B01D 35/143; B01D 35/30; B01D 19/0031; B01D 29/90; B01D 29/27; B01D 29/56; C02F 1/003; C02F 1/283; C02F 1/60

See application file for complete search history.

(56) **References Cited**

**U.S. PATENT DOCUMENTS**

D254,145 S * 2/1980 Wilcock ..... D23/209
D331,447 S * 12/1992 Boehme ..... D23/209
5,254,143 A * 10/1993 Anazawa ..... B01D 19/0031
95/46

**OTHER PUBLICATIONS**

Cleansui hollow fiber membrane capsule for degassing and aeration [Aug. 27, 2019] found online [Aug. 27, 2019]—[https://www.cleansui.com/en/product/fiber/three\\_layered/](https://www.cleansui.com/en/product/fiber/three_layered/).\*

*Primary Examiner* — Lakiya G Rogers

*Assistant Examiner* — John A Voytek

(74) *Attorney, Agent, or Firm* — Oblon, McClelland, Maier & Neustadt, L.L.P.

(57) **CLAIM**

The ornamental design for a degassing/aeration membrane module, as shown and described.

**DESCRIPTION**

FIG. 1 is a left perspective view of a degassing/aeration membrane module

FIG. 2 is a right perspective view thereof.

FIG. 3 is a front elevation view thereof.

FIG. 4 is a rear elevation view thereof.

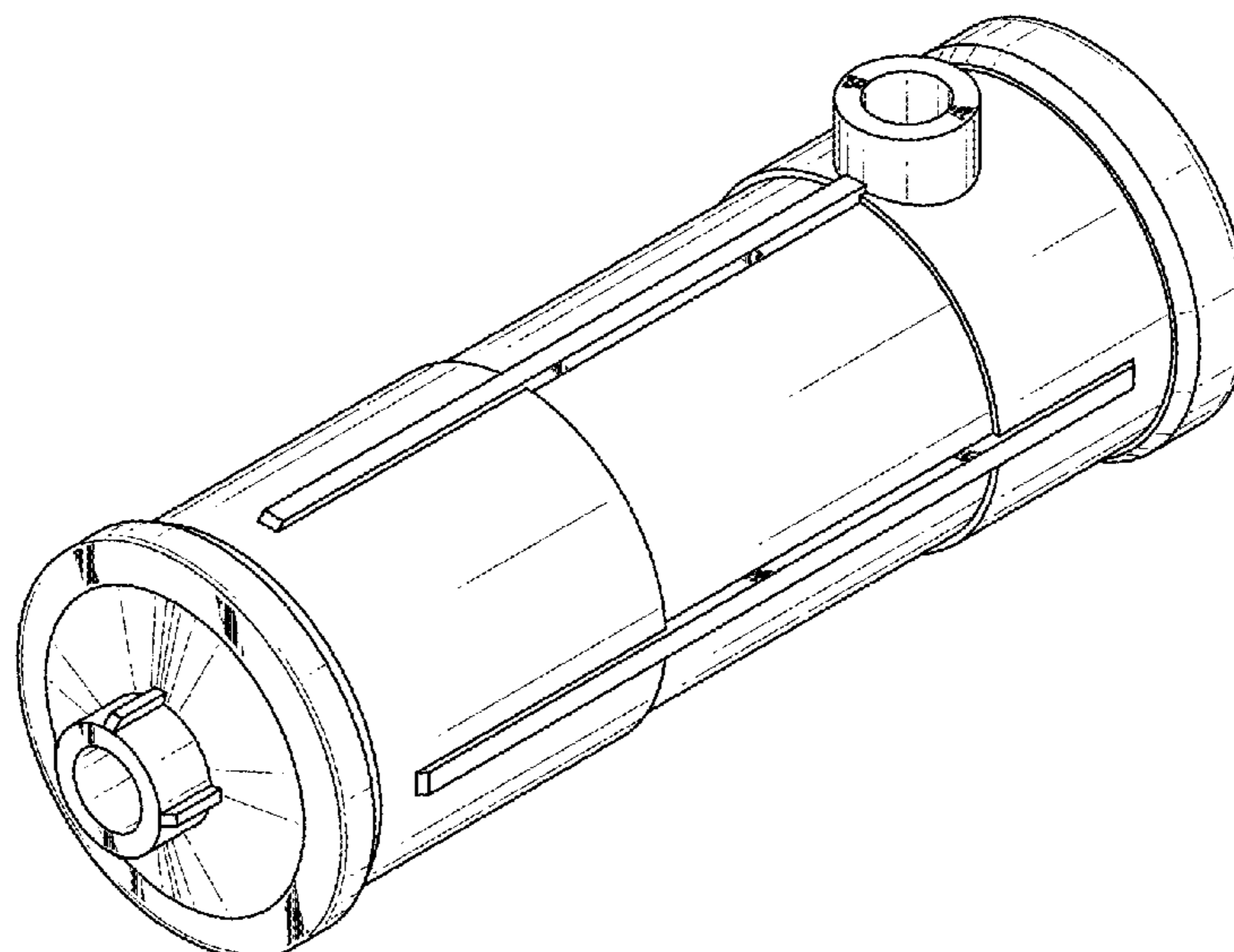
FIG. 5 is a top plan view thereof.

FIG. 6 is a bottom plan view thereof.

FIG. 7 is a left side elevation view thereof; and,

FIG. 8 is a right side elevation view thereof.

**1 Claim, 8 Drawing Sheets**



(56)

**References Cited**

U.S. PATENT DOCUMENTS

2009/0032455 A1\* 2/2009 Tada ..... B01D 63/021  
210/451  
2015/0060348 A1\* 3/2015 Ideguchi ..... B01D 63/026  
210/323.2

\* cited by examiner

FIG. 1

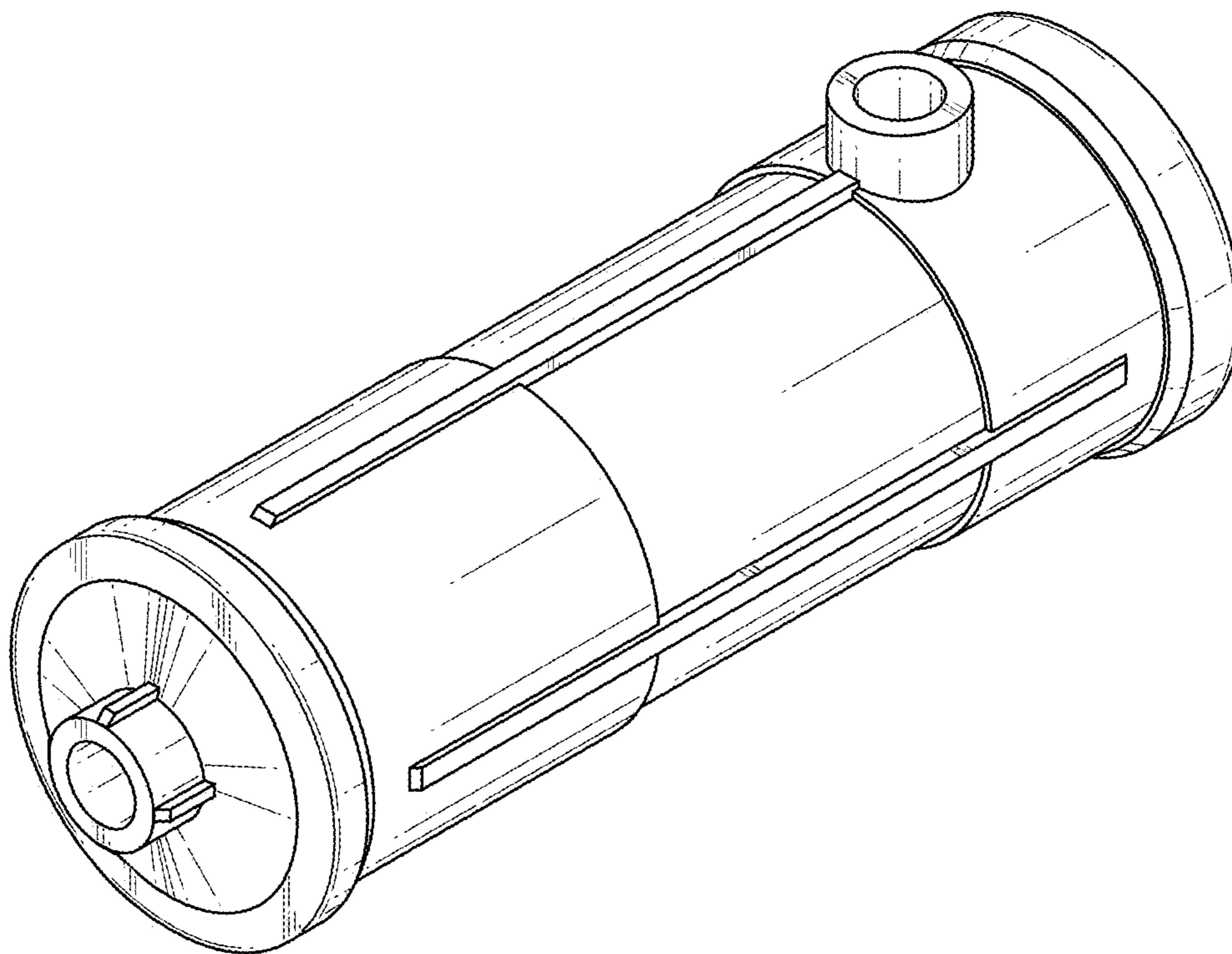


FIG. 2

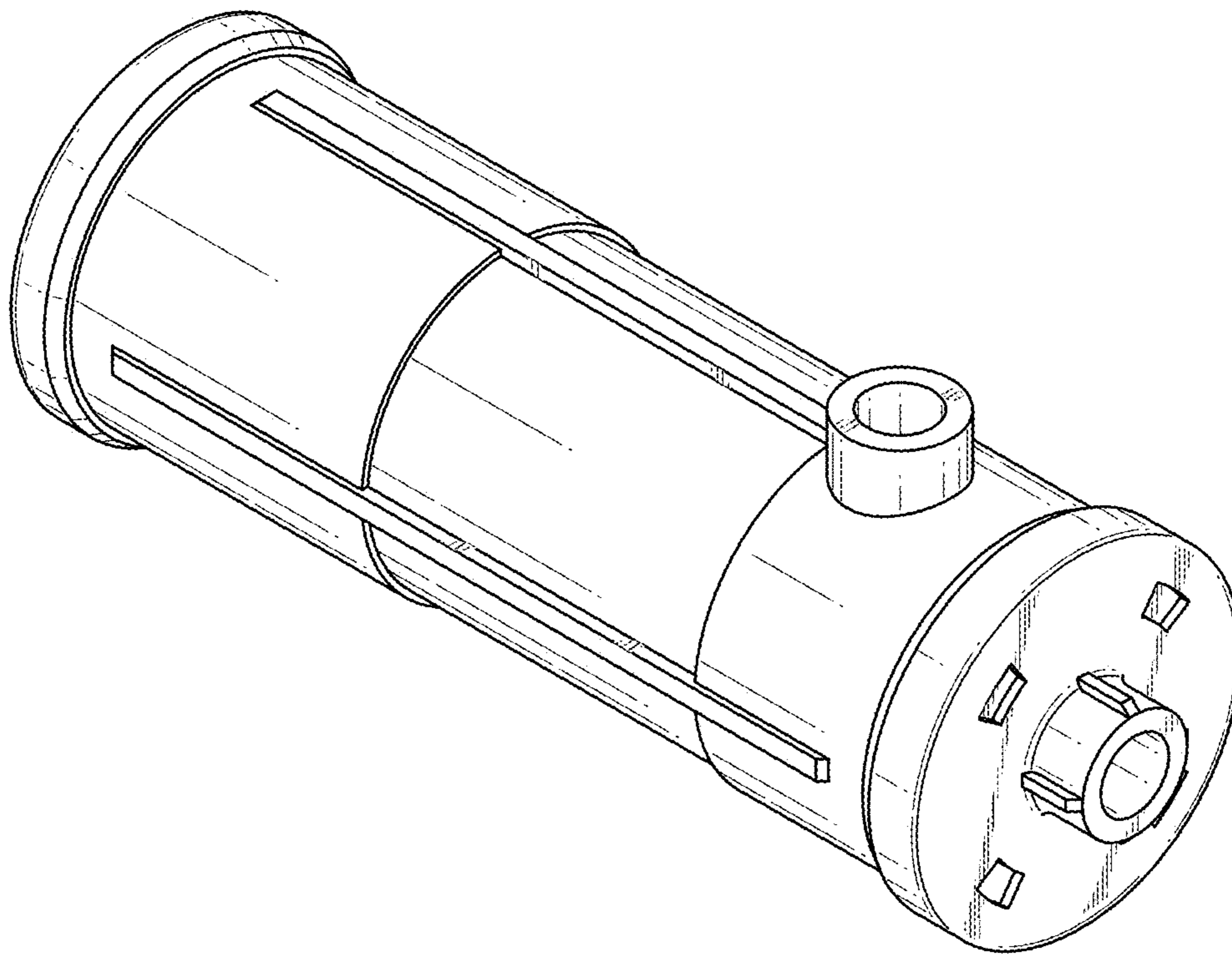


FIG. 3

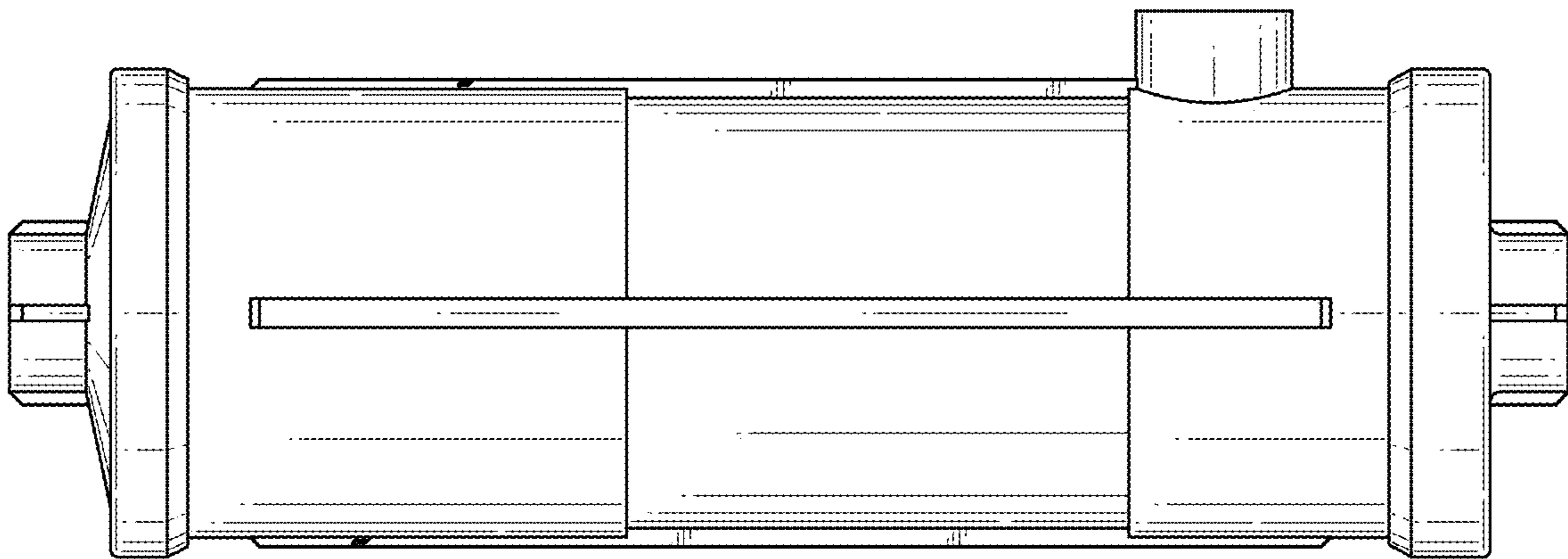


FIG. 4

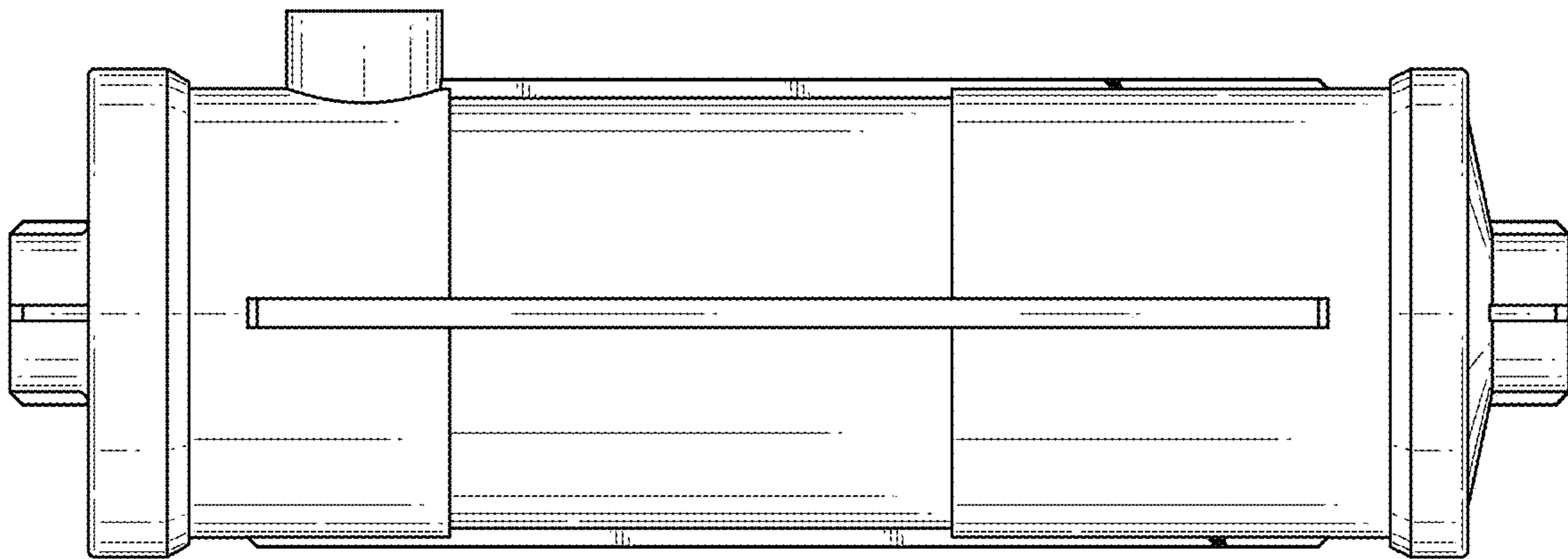


FIG. 5

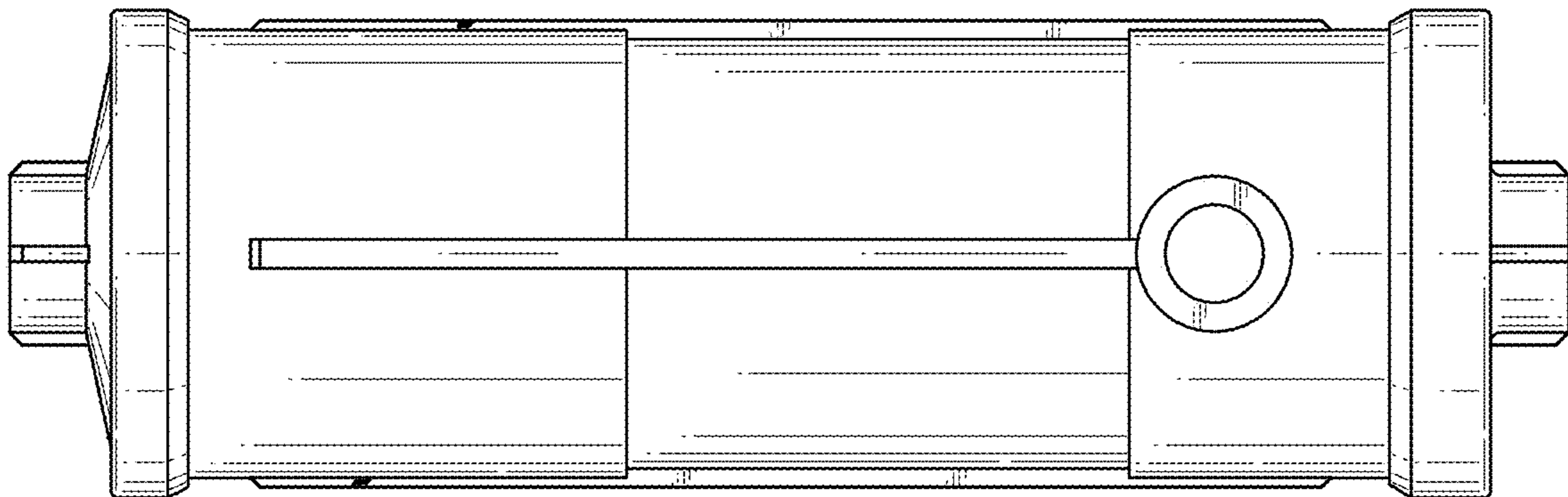


FIG. 6

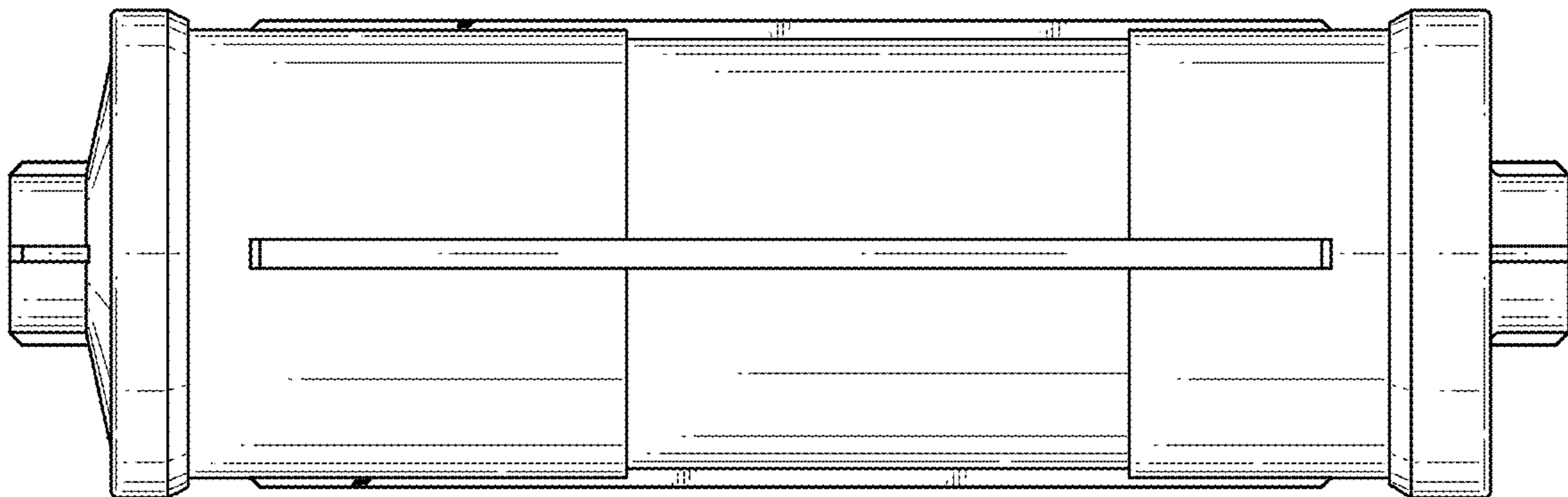




FIG. 7

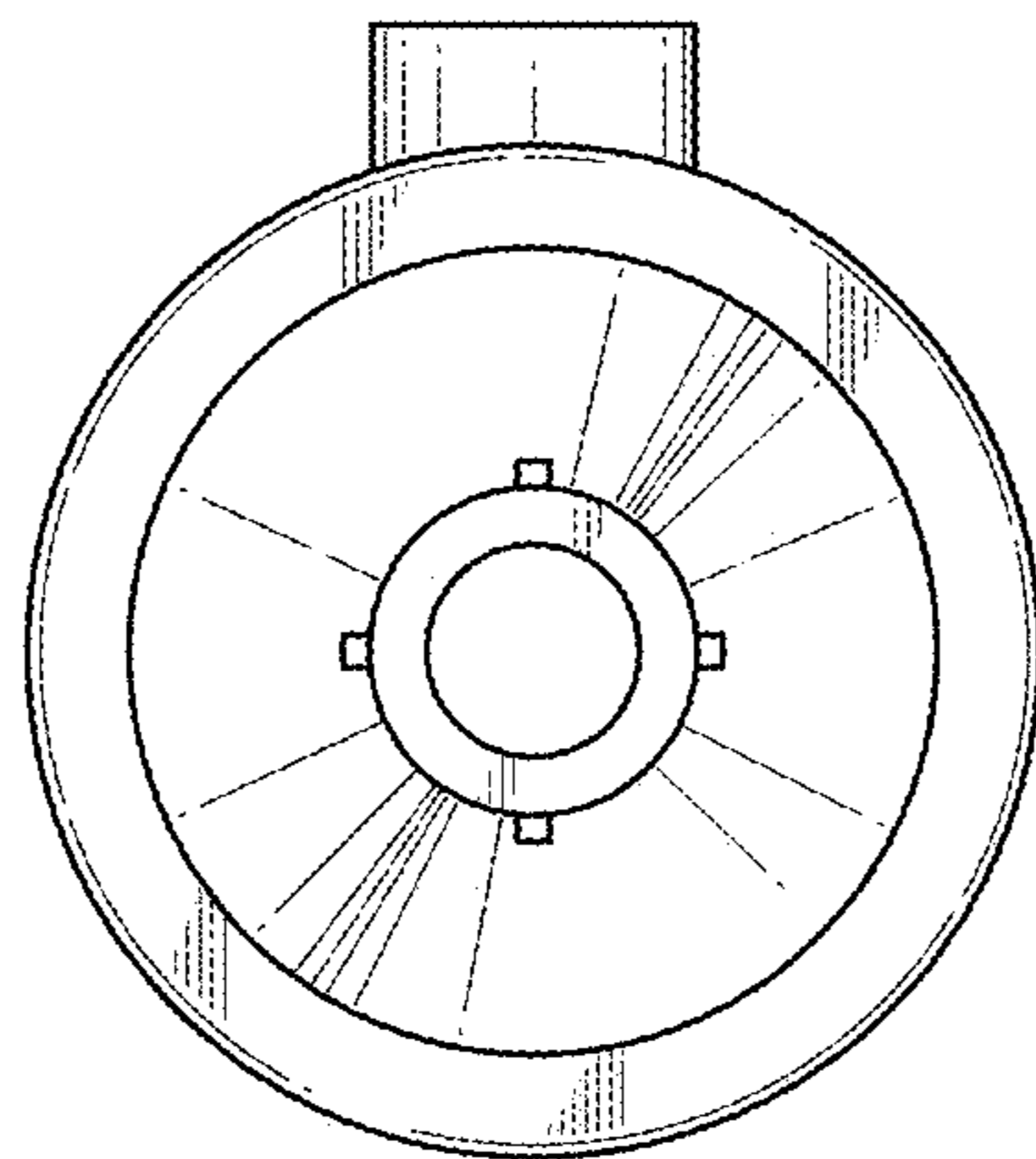


FIG. 8

