



US00D884828S

(12) **United States Design Patent**  
**Girton**

(10) **Patent No.:** **US D884,828 S**

(45) **Date of Patent:** **\*\* May 19, 2020**

(54) **VERTICAL POST FISHING POLE HOLDER**

(71) Applicant: **Kent Girton**, Olath, KS (US)

(72) Inventor: **Kent Girton**, Olath, KS (US)

(\*\*) Term: **15 Years**

(21) Appl. No.: **29/677,214**

(22) Filed: **Jan. 17, 2019**

(51) **LOC (12) Cl.** ..... **22-05**

(52) **U.S. Cl.**  
USPC ..... **D22/147**

(58) **Field of Classification Search**  
USPC ..... D22/147, 199; 43/21.2, 25; 224/558,  
224/567, 922; 248/156, 314, 517, 530,  
248/694

CPC ..... A01K 97/01; A01K 97/10  
See application file for complete search history.

(56) **References Cited**

**U.S. PATENT DOCUMENTS**

- 1,626,333 A \* 4/1927 Fain ..... A01K 97/10  
248/530
- 3,586,274 A \* 6/1971 Hart ..... A01K 97/10  
248/530
- D267,031 S \* 11/1982 Hamlin ..... D22/147
- D416,071 S \* 11/1999 Sizer ..... D22/147

- D416,976 S \* 11/1999 Sizer ..... D22/147
- 6,185,855 B1 \* 2/2001 Sizer ..... A01K 97/01  
43/21.2
- D489,118 S \* 4/2004 Preiss ..... D22/147
- D691,697 S \* 10/2013 Purser ..... D22/147
- D777,294 S \* 1/2017 Bell ..... D22/147
- D818,080 S \* 5/2018 Kennedy ..... D22/147

\* cited by examiner

*Primary Examiner* — Catherine R Oliver-Garcia  
(74) *Attorney, Agent, or Firm* — Quickpatents, LLC;  
Kevin Prince

(57) **CLAIM**

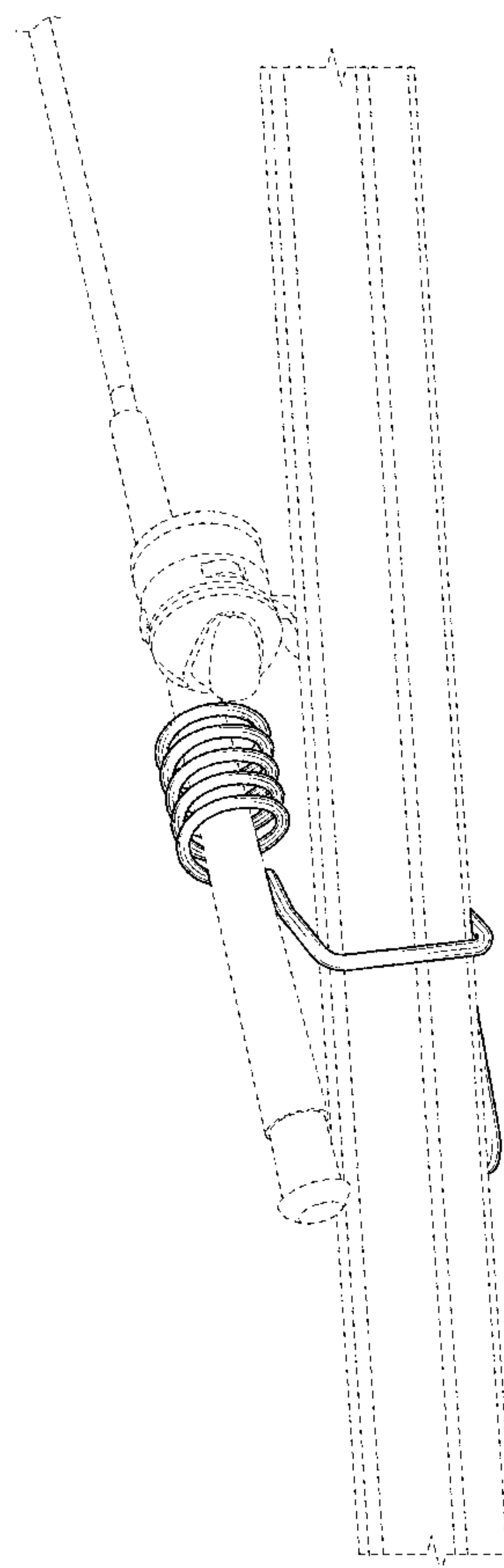
The ornamental design for a vertical post fishing pole holder, as shown and described.

**DESCRIPTION**

FIG. 1 is a rear perspective view of a vertical post fishing pole holder, showing my new design;  
FIG. 2 is a front elevational view thereof;  
FIG. 3 is a rear elevational view thereof;  
FIG. 4 is a right-side elevational view thereof;  
FIG. 5 is a left-side elevational view thereof;  
FIG. 6 is a top plan view thereof; and,  
FIG. 7 is a bottom plan view thereof.

The broken lines showing a fishing pole and dock post in FIG. 1 depict environmental matter and form no part of the claimed design.

**1 Claim, 7 Drawing Sheets**



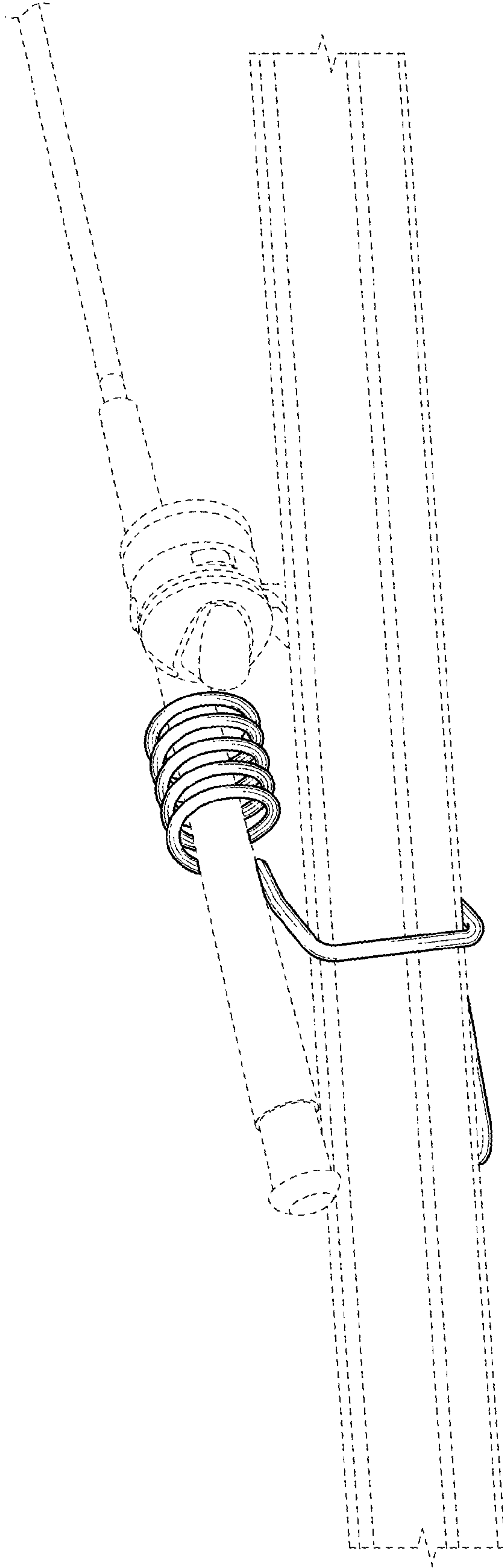


FIG. 1

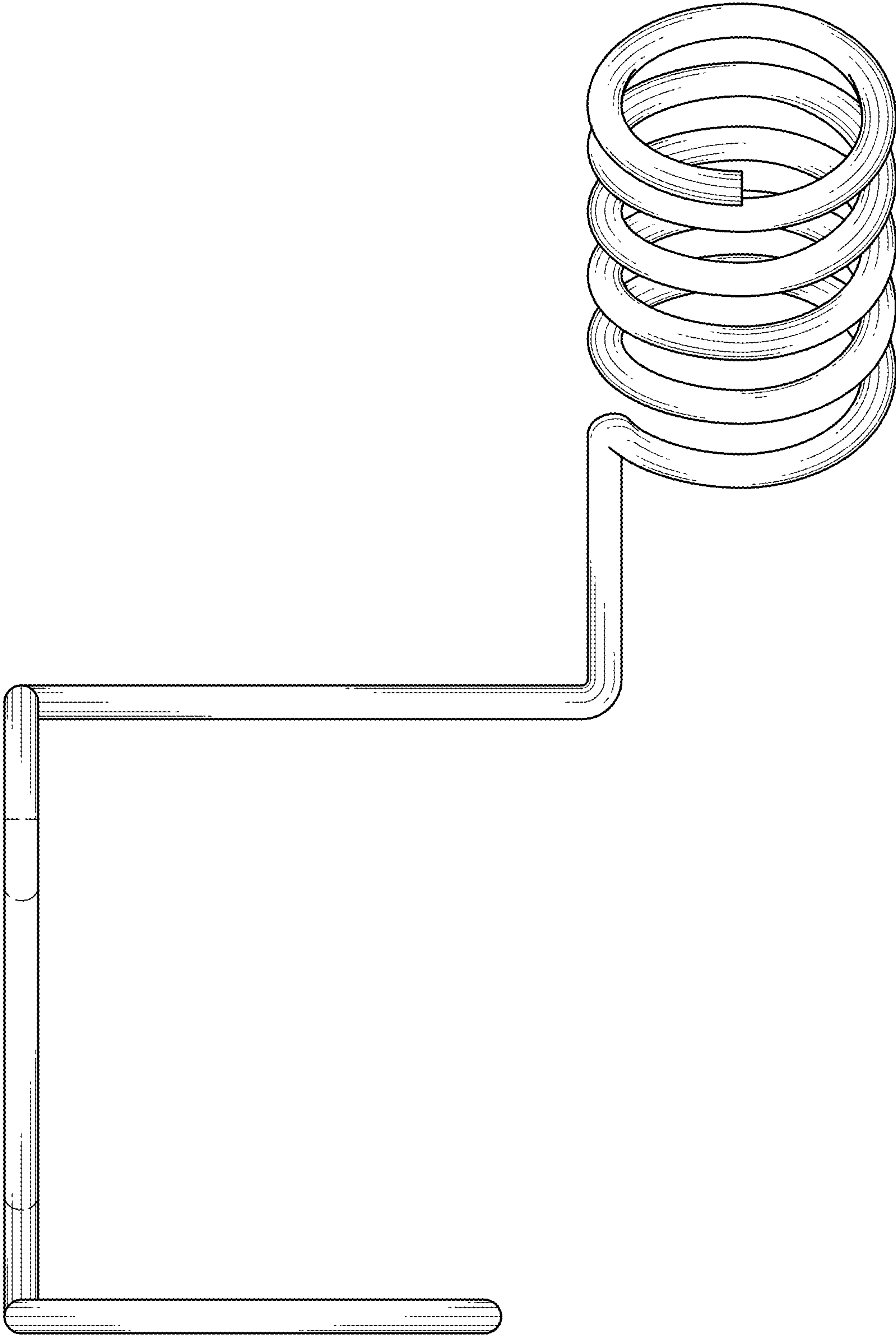


FIG. 2

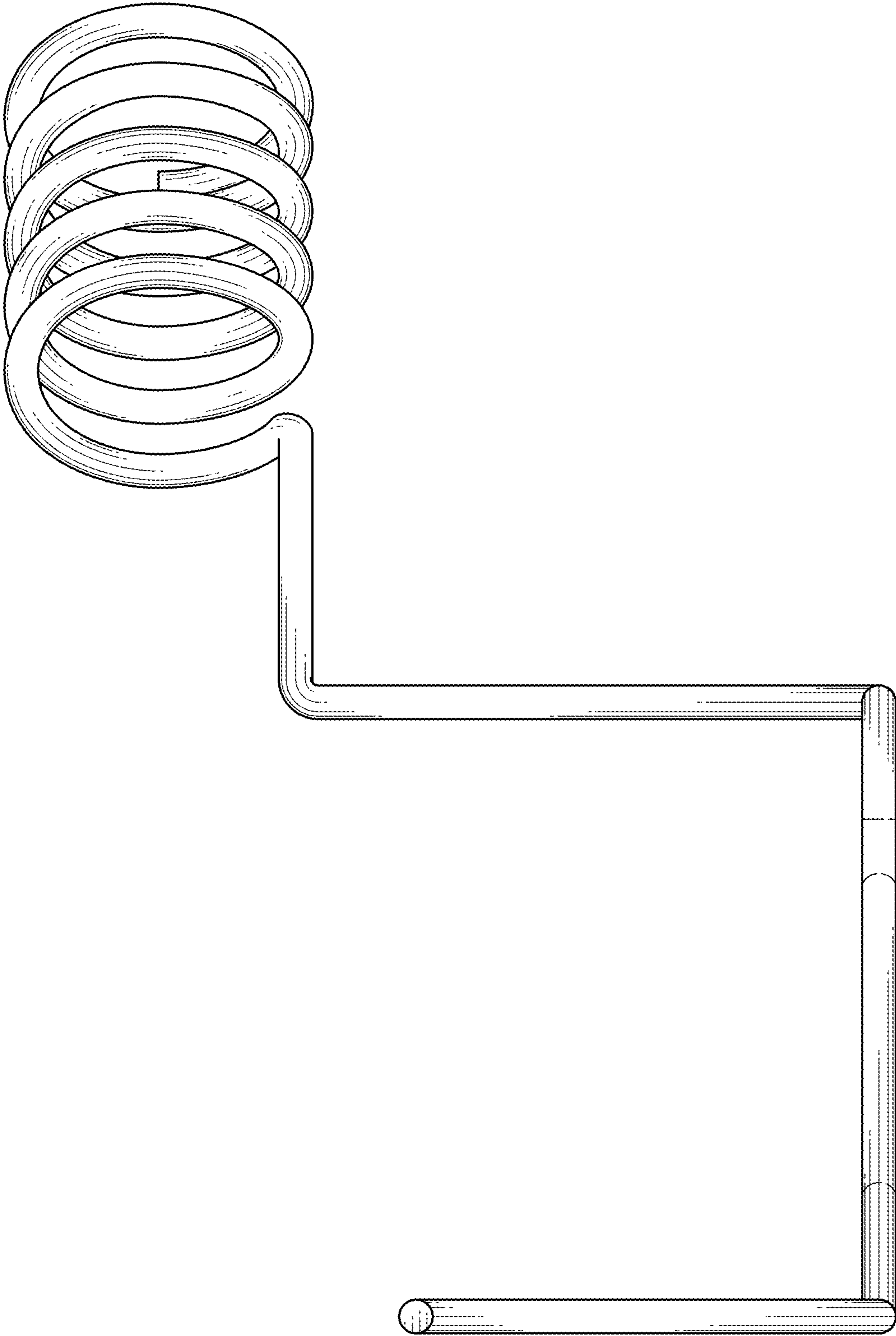


FIG. 3

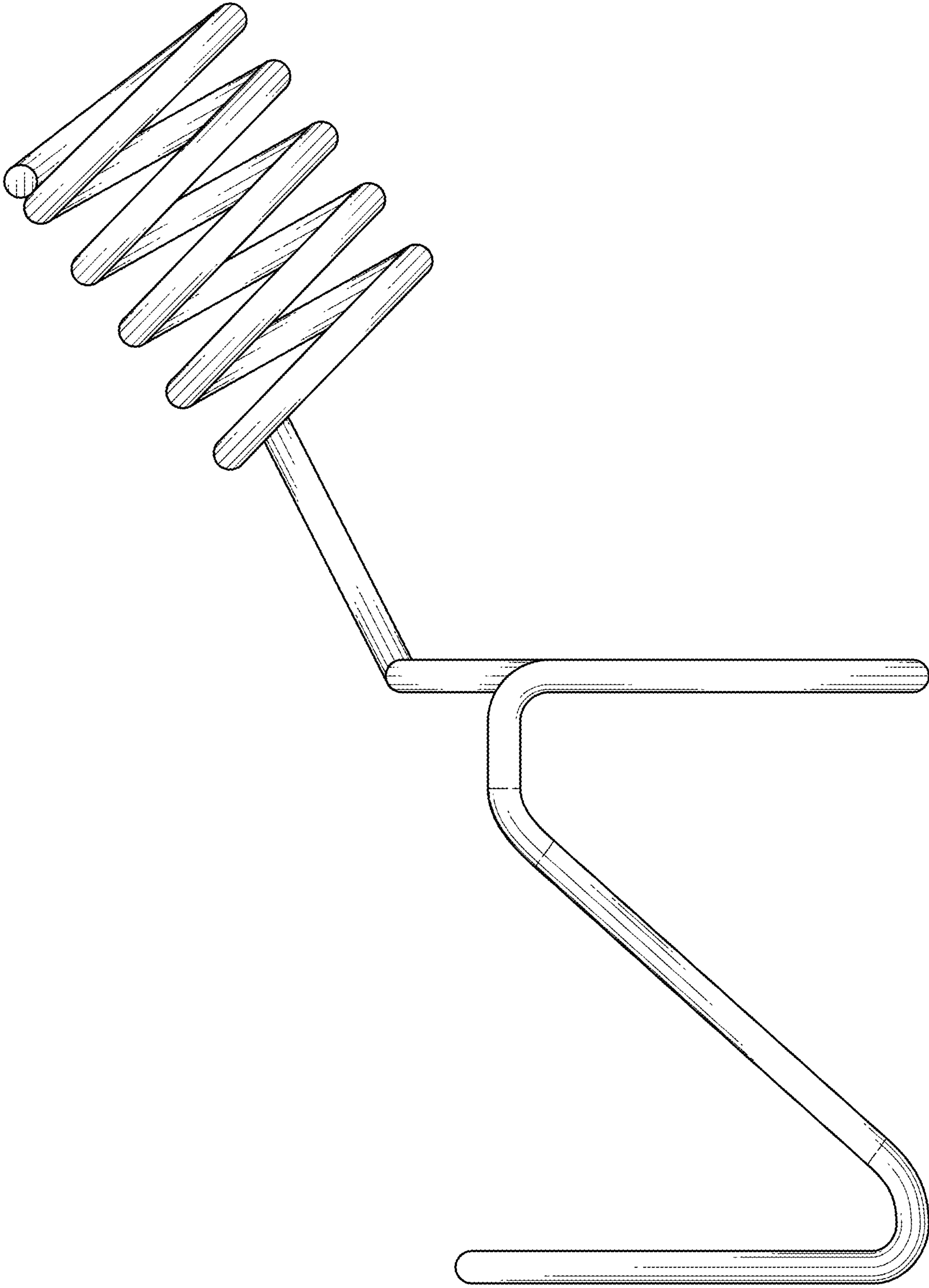


FIG. 4



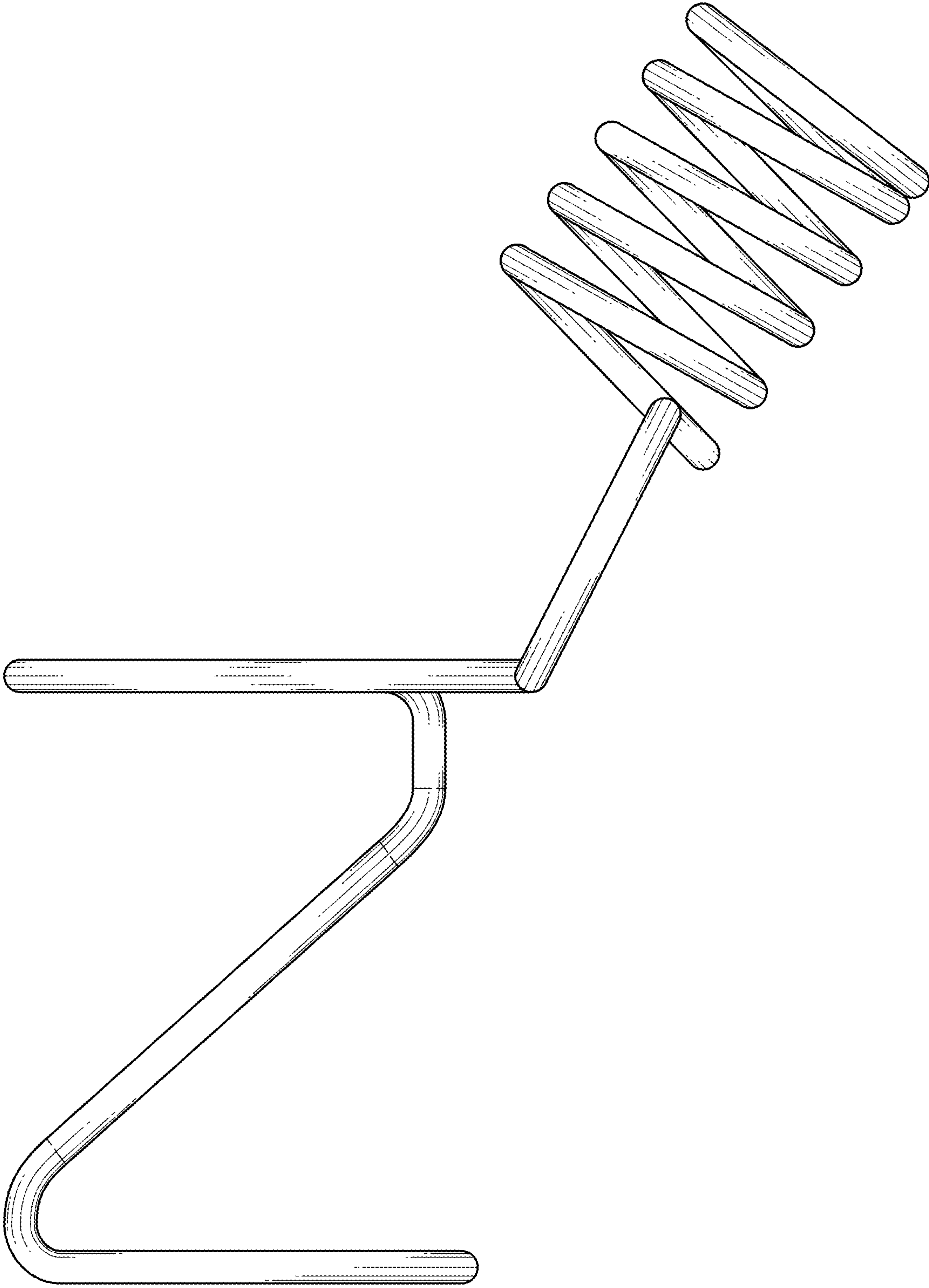


FIG. 5

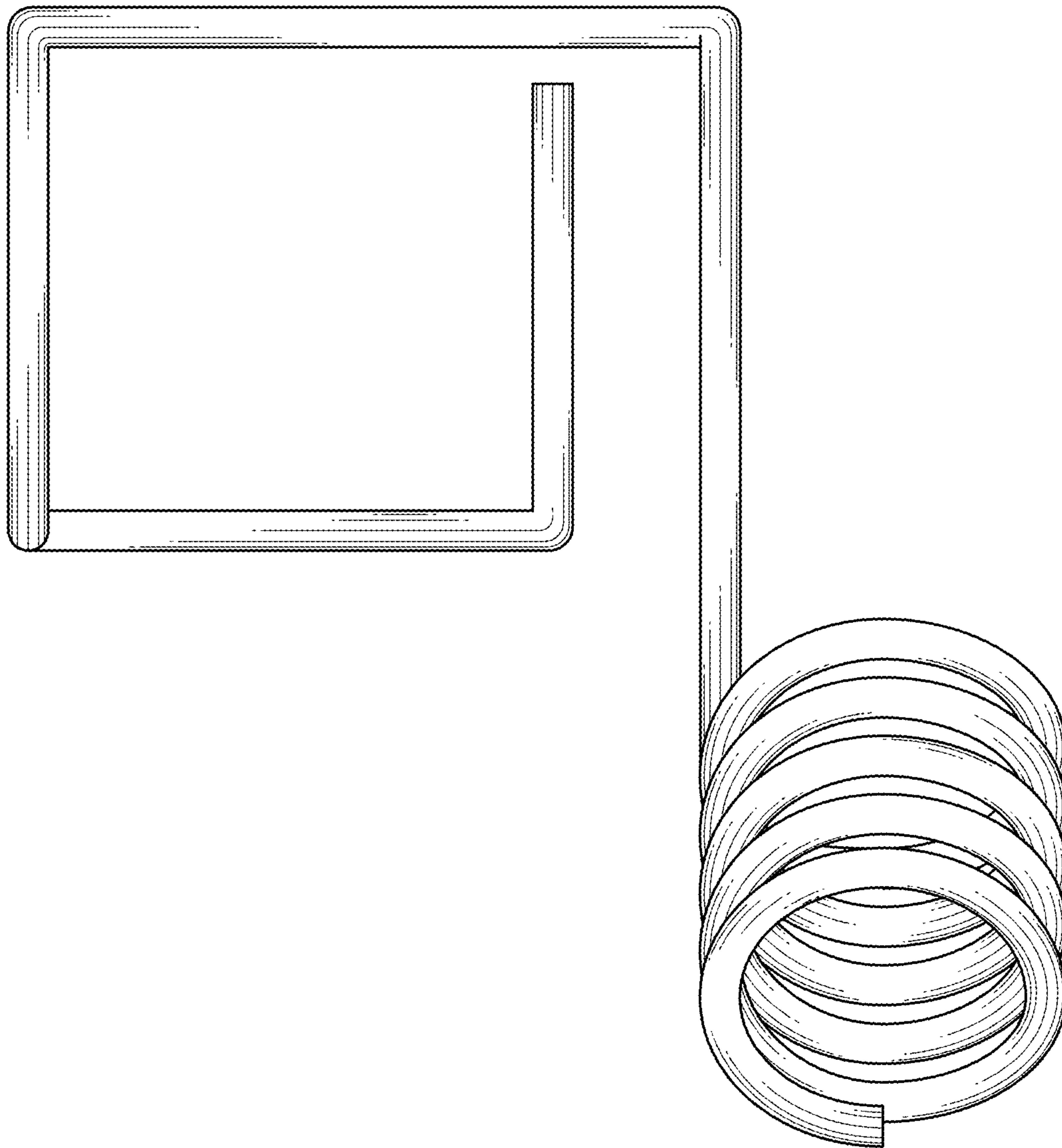


FIG. 6

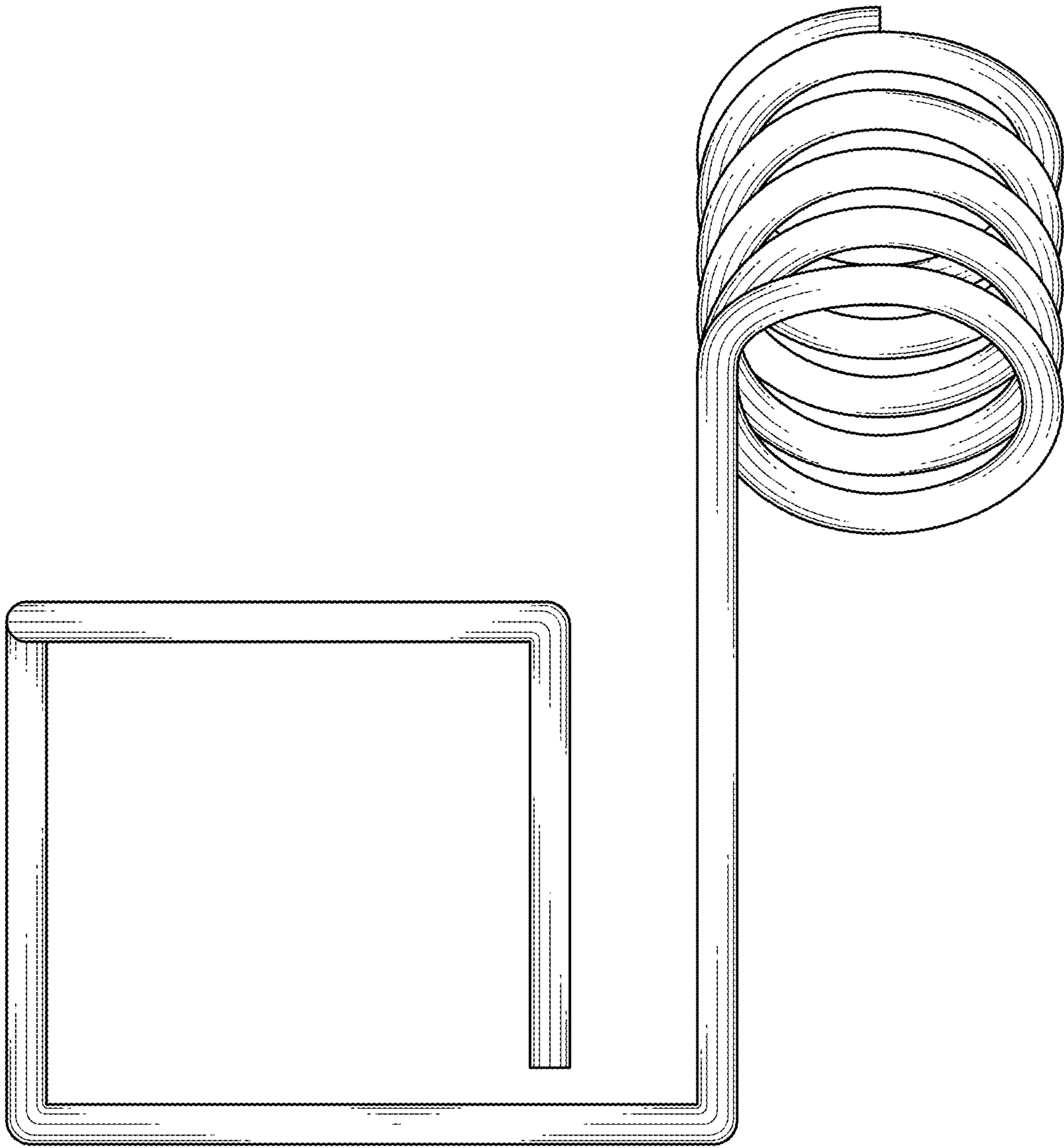


FIG. 7