



US00D884826S

(12) **United States Design Patent**
Xu et al.

(10) **Patent No.:** **US D884,826 S**
(45) **Date of Patent:** **** May 19, 2020**

(54) **FOLDABLE DIP NET FRAME**

(71) Applicant: **HANGZHOU FUFAN INDUSTRY CO., LTD.**, Hangzhou, Zhejiang Province (CN)
(72) Inventors: **Hongjian Xu**, Hangzhou (CN); **Shu Lin**, Hangzhou (CN); **Linrong Hong**, Hangzhou (CN); **Huihai Ge**, Hangzhou (CN)

(73) Assignee: **HANGZHOU FUFAN INDUSTRY CO., LTD.**, Hangzhou (CN)

(**) Term: **15 Years**

(21) Appl. No.: **29/674,984**

(22) Filed: **Dec. 27, 2018**

(30) **Foreign Application Priority Data**

Nov. 26, 2018 (CN) 2018 3 06737561

(51) **LOC (12) Cl.** **22-05**

(52) **U.S. Cl.**
USPC **D22/135**

(58) **Field of Classification Search**
USPC D22/135-136; 43/7, 10-12, 14, 17.5; 209/417-419; 119/245, 264
CPC A01K 77/00; A63B 49/00
See application file for complete search history.

(56) **References Cited**

U.S. PATENT DOCUMENTS

2,567,059 A *	9/1951	Deeble	A01K 77/00
			43/12
2,874,506 A *	2/1959	Cliff	A01K 77/00
			43/11
D301,600 S *	6/1989	Wilson	D22/135
5,568,697 A *	10/1996	Schwartz	A01K 77/00
			43/12

* cited by examiner

Primary Examiner — Catherine R Oliver-Garcia

(74) *Attorney, Agent, or Firm* — Jiwen Chen

(57) **CLAIM**

The ornamental design for the foldable dip net frame, as shown and described.

DESCRIPTION

FIG. 1 is a perspective view of the foldable dip net frame showing the design;

FIG. 2 is a front elevational view thereof;

FIG. 3 is a rear elevational view thereof;

FIG. 4 is a left side view thereof;

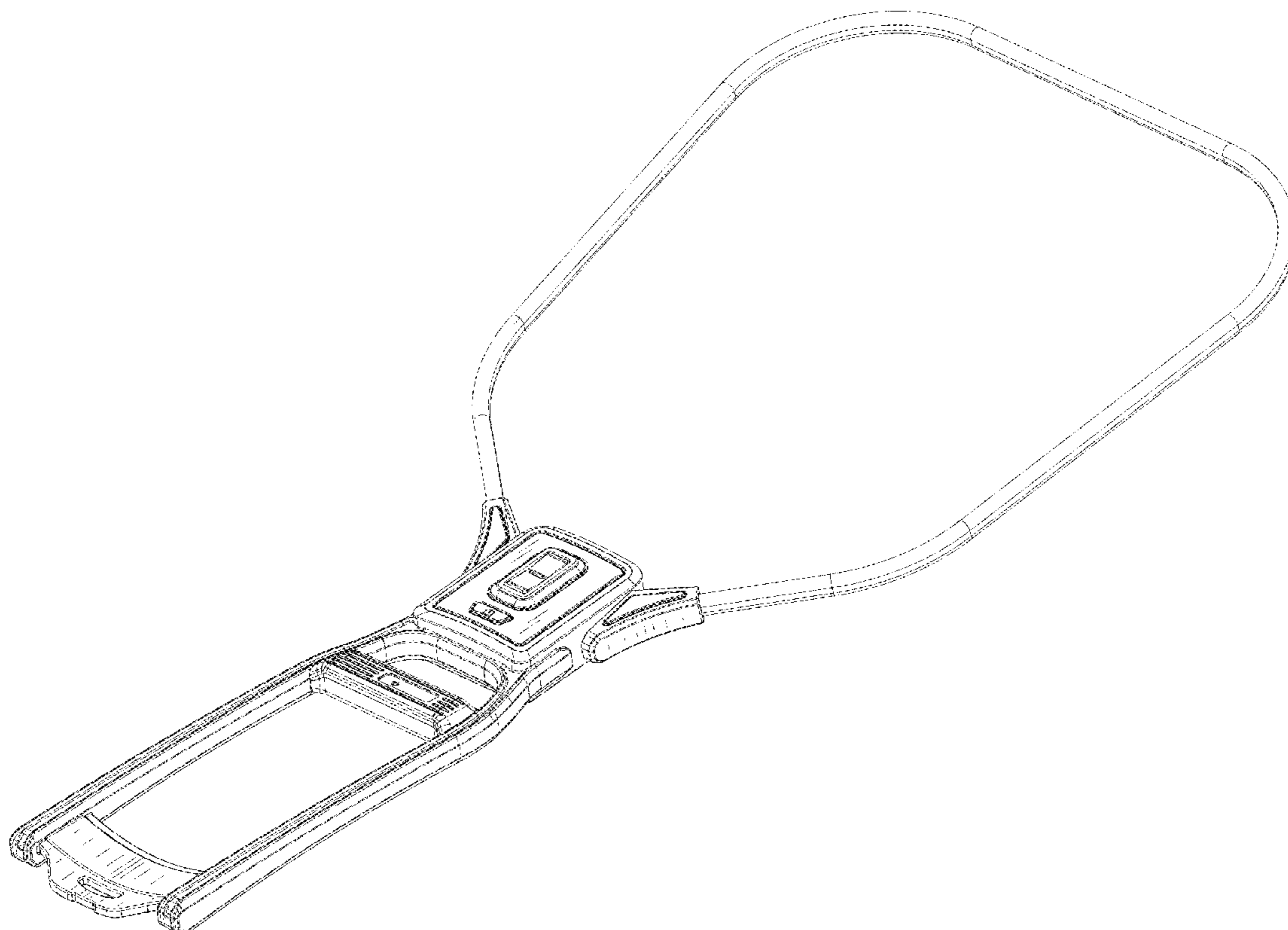
FIG. 5 is a right side view thereof;

FIG. 6 is a top plan view thereof; and,

FIG. 7 is a bottom plan view thereof.

The present application claims the priority of Chinese Patent Application No. 2018306737561 filed Nov. 26, 2018, under 35 U.S.C. § 119, which is hereby incorporated by reference.

1 Claim, 5 Drawing Sheets



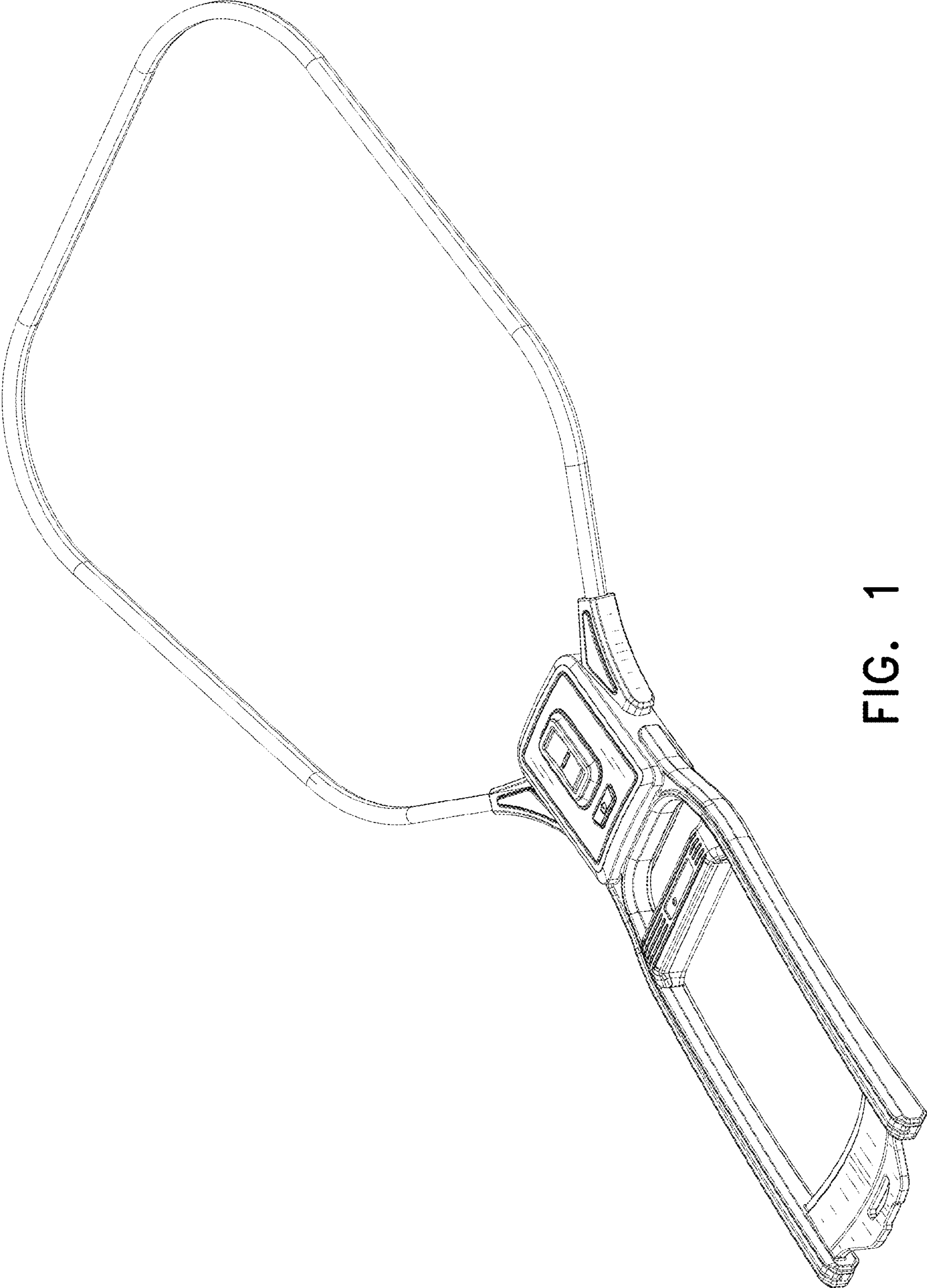


FIG. 1

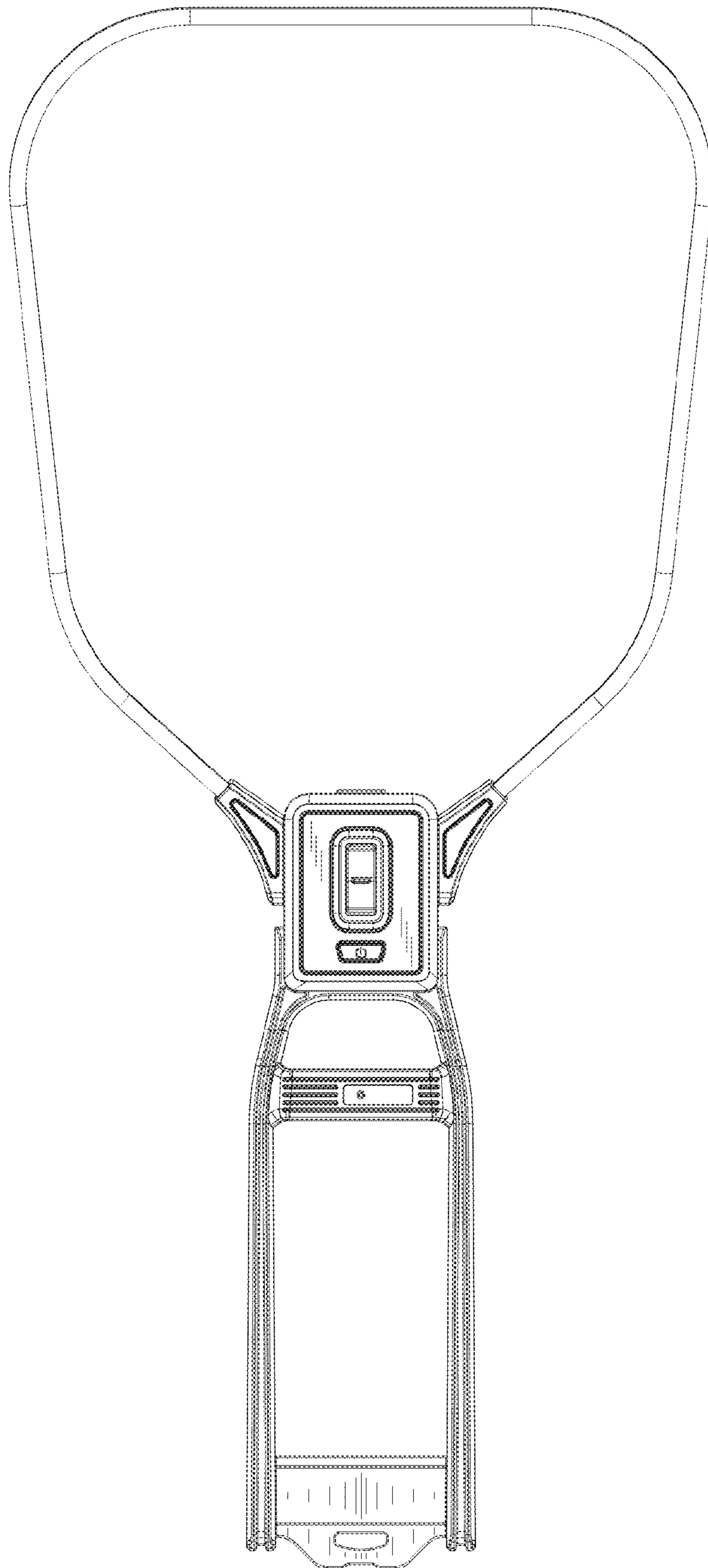


FIG. 2

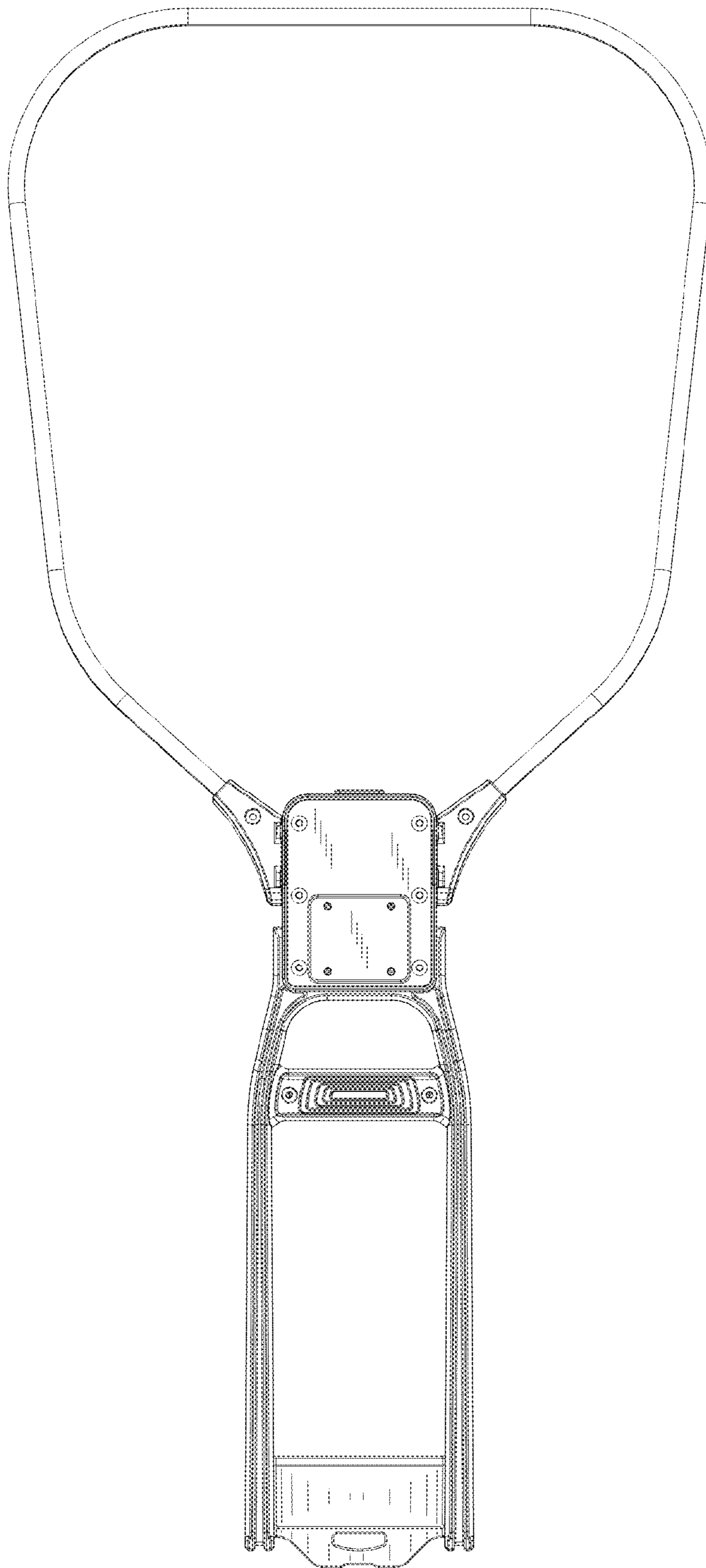


FIG. 3

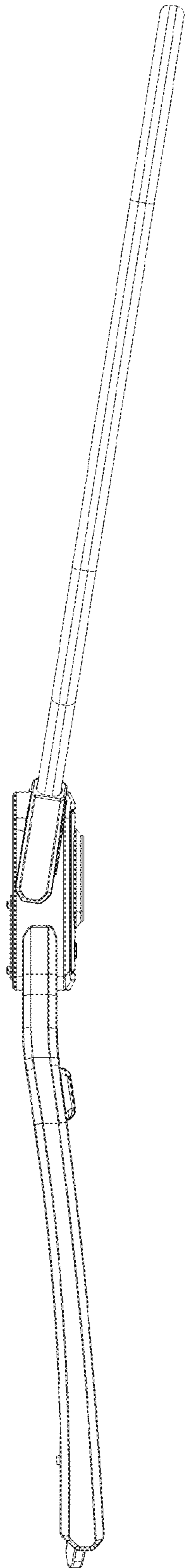


FIG. 4

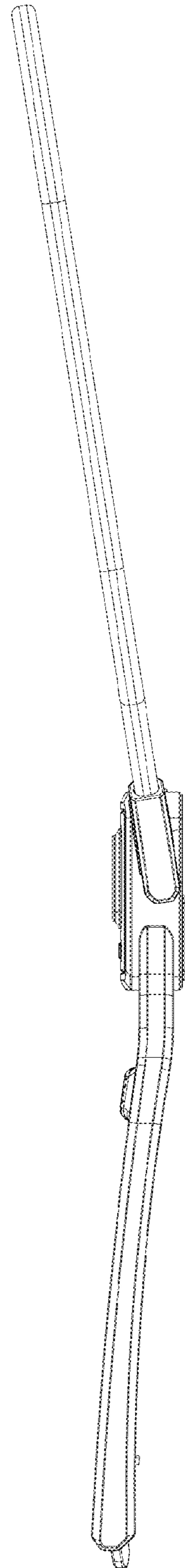


FIG. 5

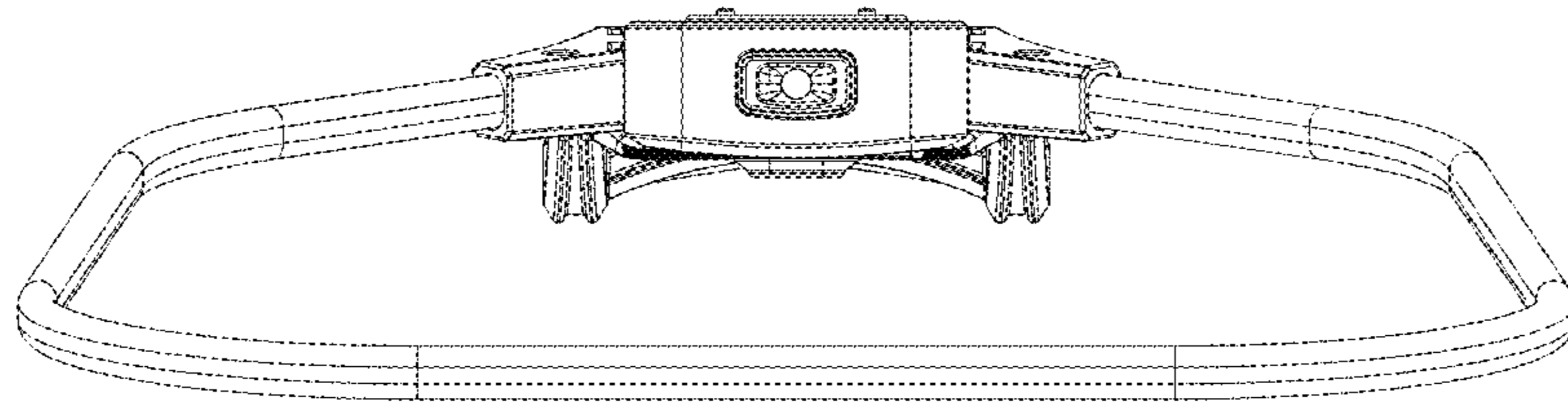


FIG. 6

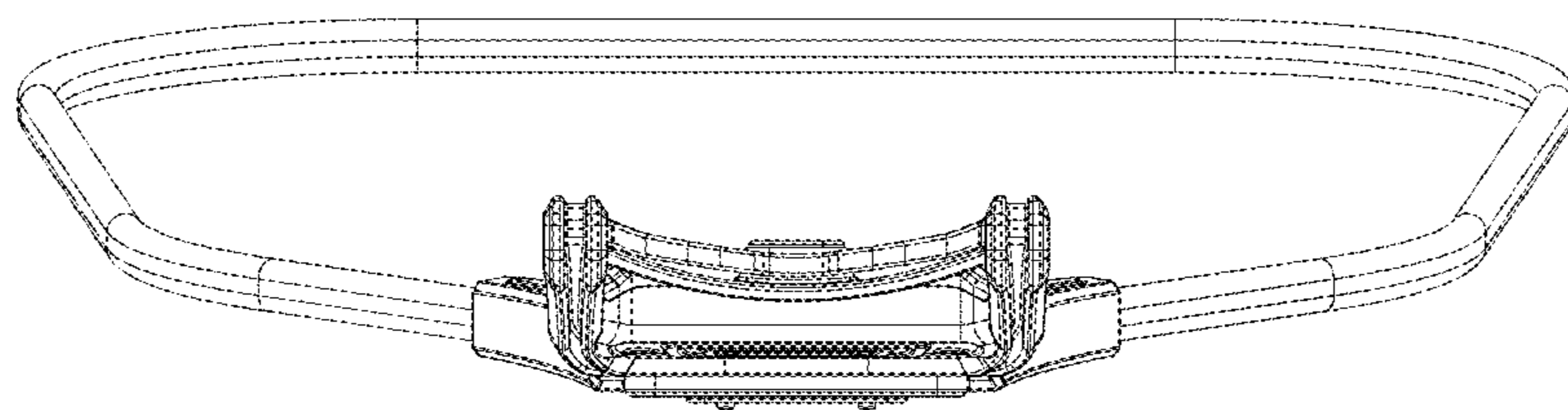


FIG. 7