



US00D884824S

(12) **United States Design Patent** (10) **Patent No.:** **US D884,824 S**
Baker (45) **Date of Patent:** **** May 19, 2020**

(54) **ENCLOSURE FOR A MOUSETRAP**

(71) Applicant: **Jay Baker**, Mayville, NY (US)

(72) Inventor: **Jay Baker**, Mayville, NY (US)

(**) Term: **15 Years**

(21) Appl. No.: **29/669,620**

(22) Filed: **Nov. 9, 2018**

(51) **LOC (12) Cl.** **22-06**

(52) **U.S. Cl.**
USPC **D22/119**

(58) **Field of Classification Search**
USPC D22/119–120; D19/75–76; D3/294;
43/58, 60–62, 64–67, 69–70, 81, 81.5,
43/82–83, 83.5, 121, 124
CPC A01M 23/00; A01M 23/02; A01M 23/08;
A01M 23/16; A01M 23/20
See application file for complete search history.

(56) **References Cited**

U.S. PATENT DOCUMENTS

4,288,940	A *	9/1981	Ensey	A01M 23/00
					43/58
D335,324	S *	5/1993	Burris	D22/119
D423,631	S *	4/2000	Shultz	D22/119
D690,789	S *	10/2013	Wauson	D22/119
D802,080	S *	11/2017	Lo	A01M 23/08
					D22/119
2012/0117853	A1 *	5/2012	Studer	A01M 23/08
					43/67
2012/0180378	A1 *	7/2012	Studer	A01M 23/08
					43/60

OTHER PUBLICATIONS

DoomBox 2pk Enclosed Re-Usable or Disposable Mouse Trap with Victor PowerKill & Click-it Closure Technology—Keeps The Trap

(and mice) from Pets & Kids at Play. Amazon.com (earliest review Feb. 3, 2019).*

* cited by examiner

Primary Examiner — Catherine R Oliver-Garcia
(74) *Attorney, Agent, or Firm* — The Bilicki Law Firm, P.C.; Carl A. Hjort, III

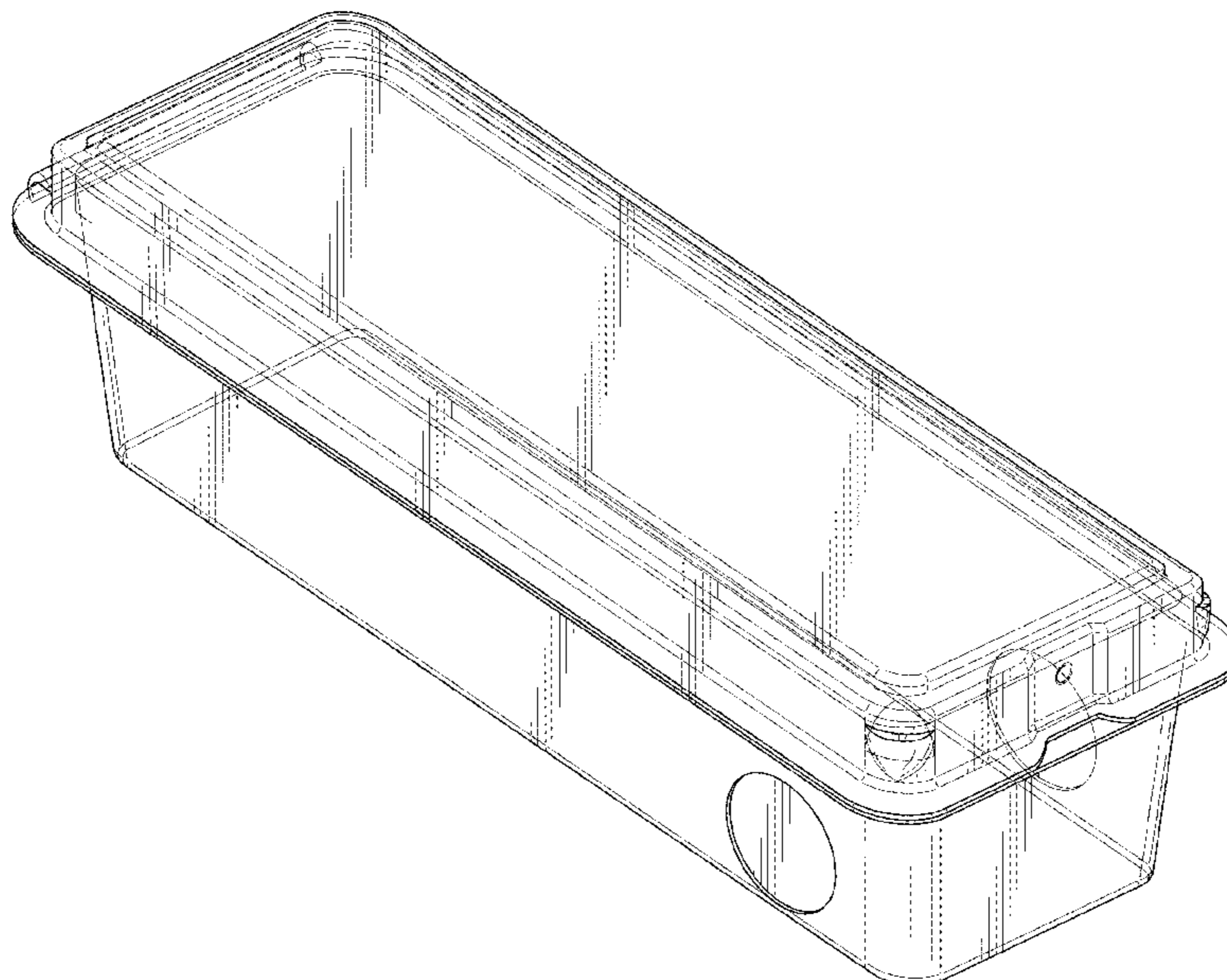
(57) **CLAIM**

The ornamental design for an enclosure for a mousetrap, as shown and described.

DESCRIPTION

FIG. 1 is a top perspective view of an enclosure for a mousetrap according to the present design;
FIG. 2 is a top plan view thereof;
FIG. 3 is a bottom plan view thereof;
FIG. 4 is a front elevation view thereof;
FIG. 5 is a rear elevation view thereof;
FIG. 6 is a left side view thereof;
FIG. 7 is a right side view thereof;
FIG. 8 is a top perspective view thereof;
FIG. 9 is a top perspective view, showing the lid in an open configuration;
FIG. 10 is an enlarged view of the encircled portion in FIG. 9;
FIG. 11 is a bottom perspective view, showing the lid in a partially open configuration;
FIG. 12 is an enlarged view of the encircled portion in FIG. 11;
FIG. 13 is a top perspective view, showing the lid in an open configuration; and,
FIG. 14 is an enlarged view of the encircled portion in FIG. 13.
The broken lines depict environmental structure and are included for the purpose of illustration only and form no part of the claimed design.

1 Claim, 12 Drawing Sheets



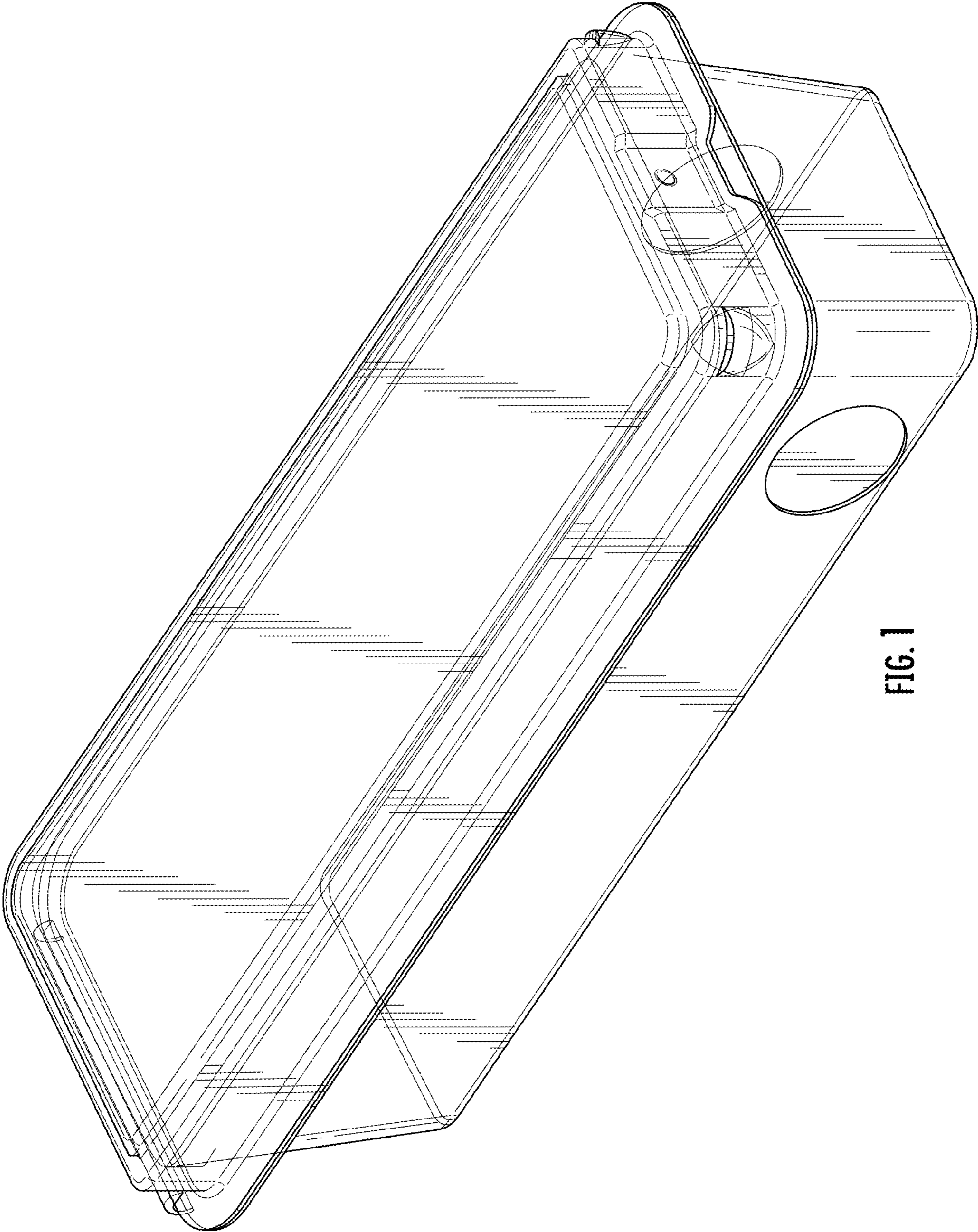


FIG. 1

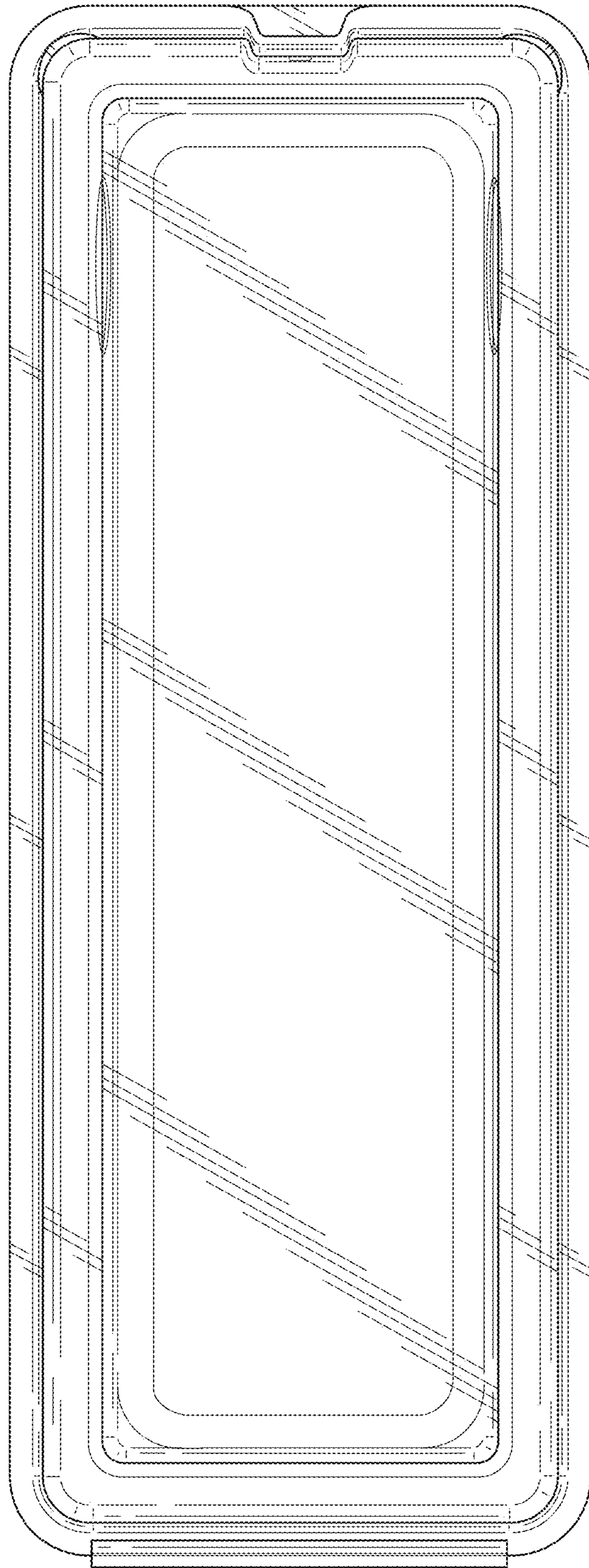


FIG. 2

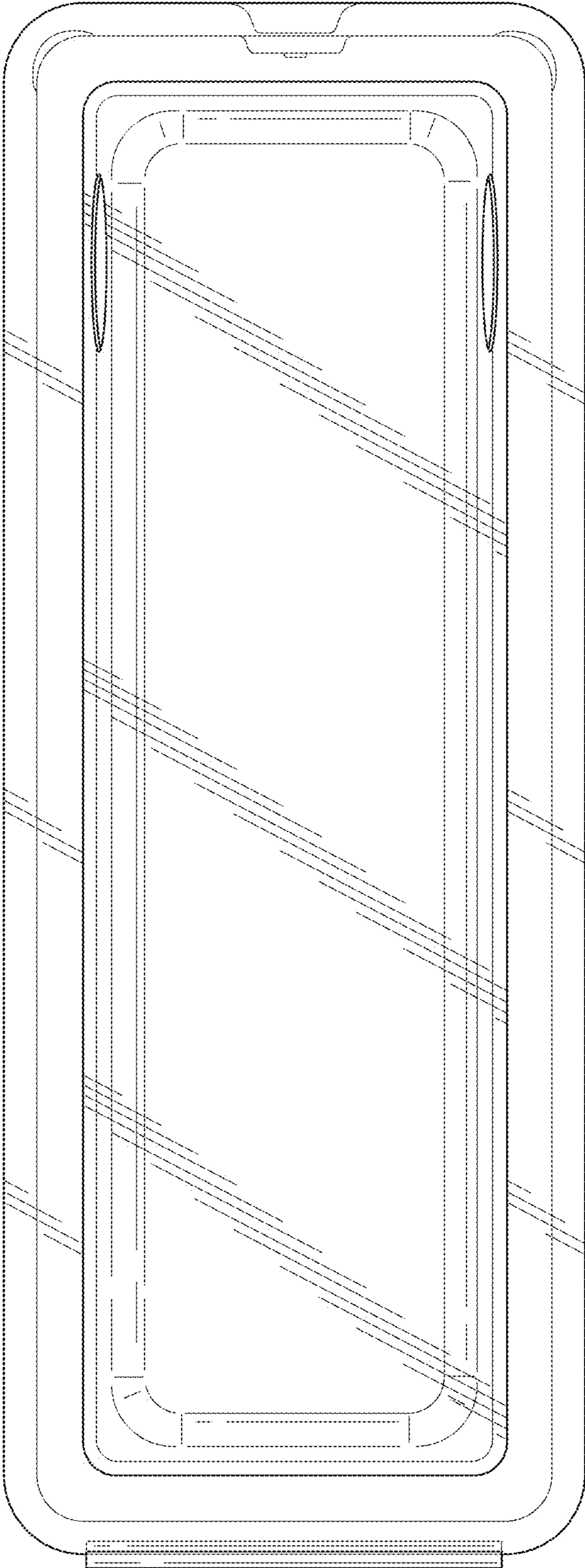


FIG. 3

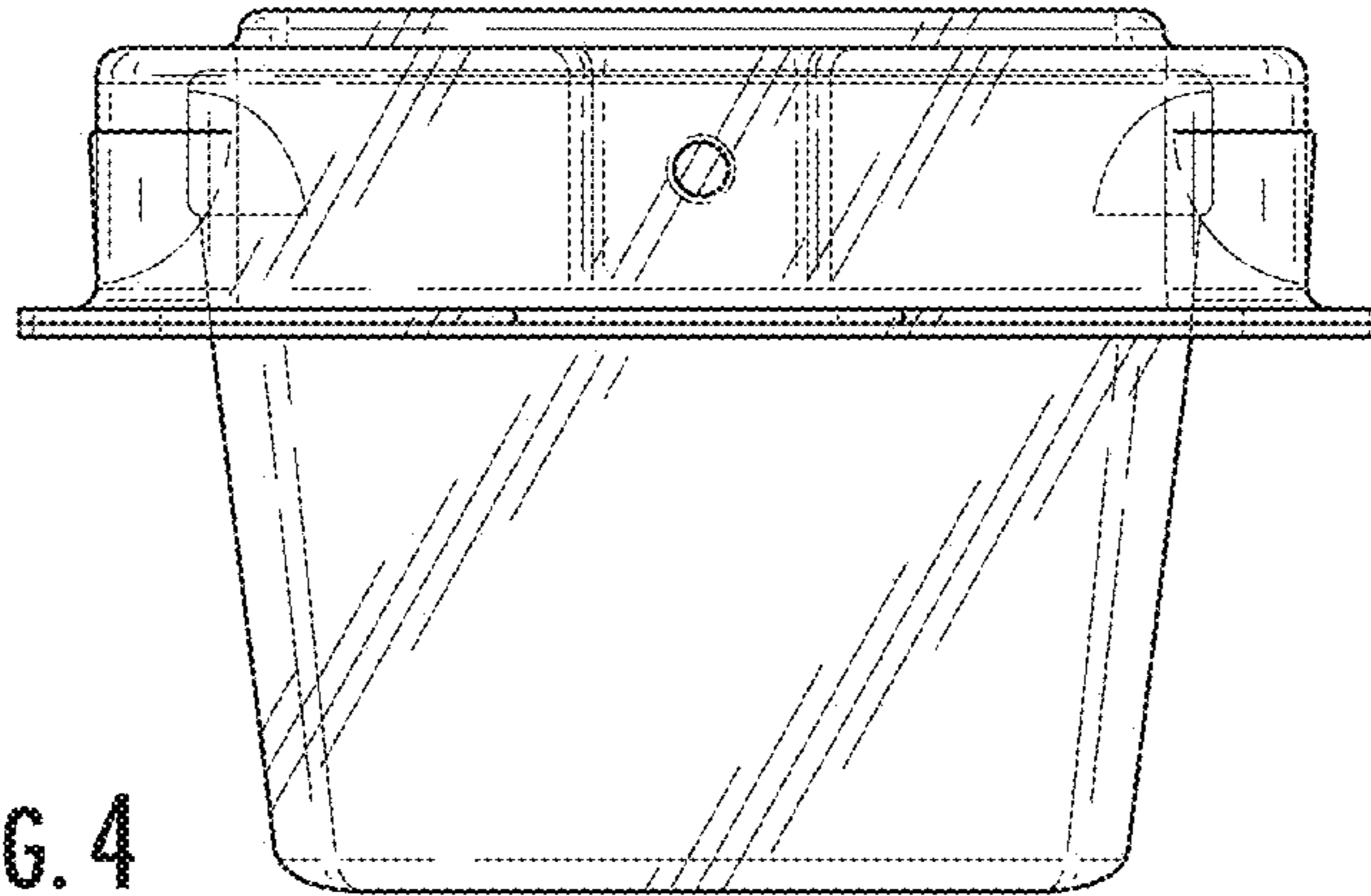


FIG. 4

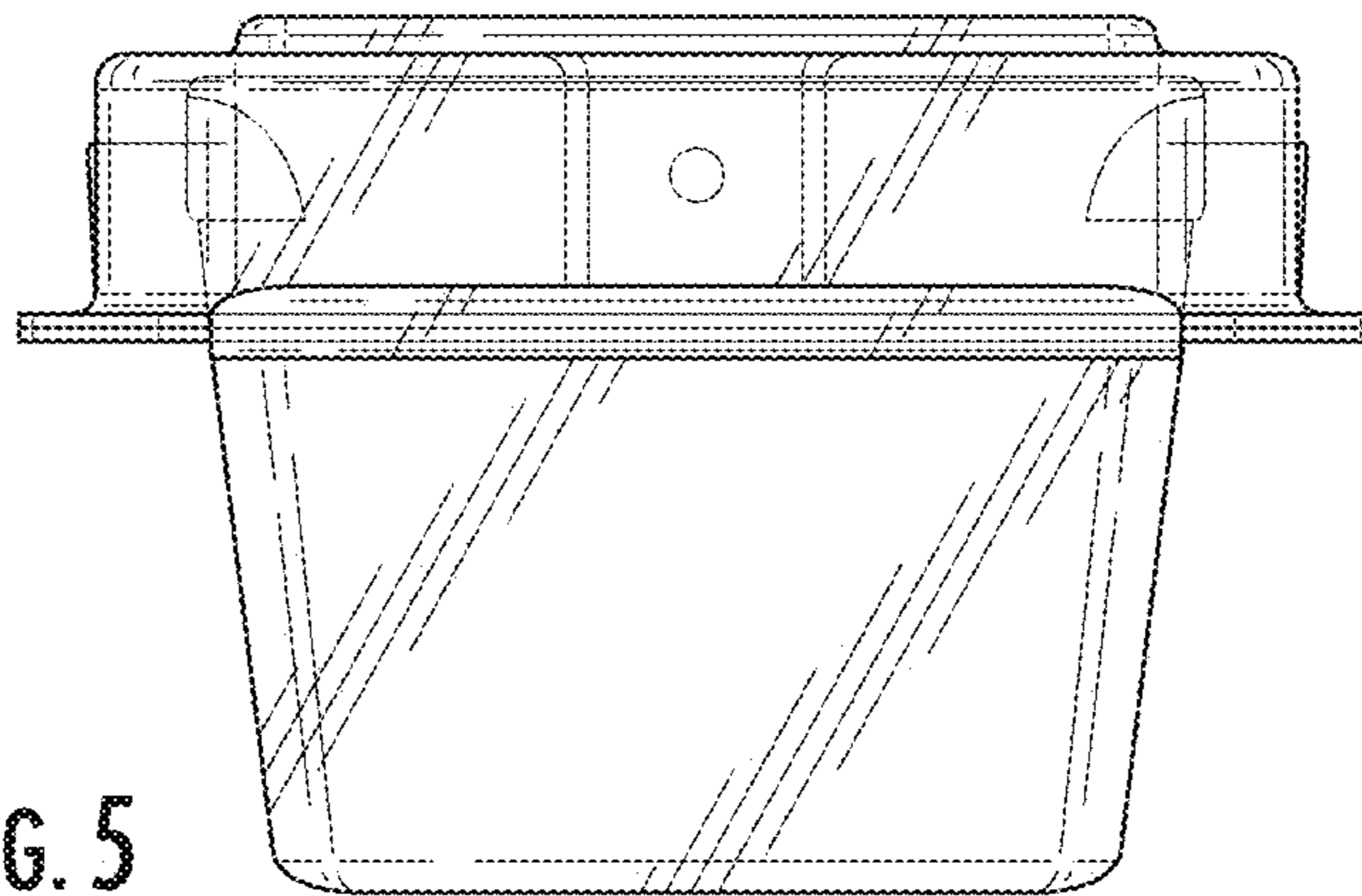


FIG. 5

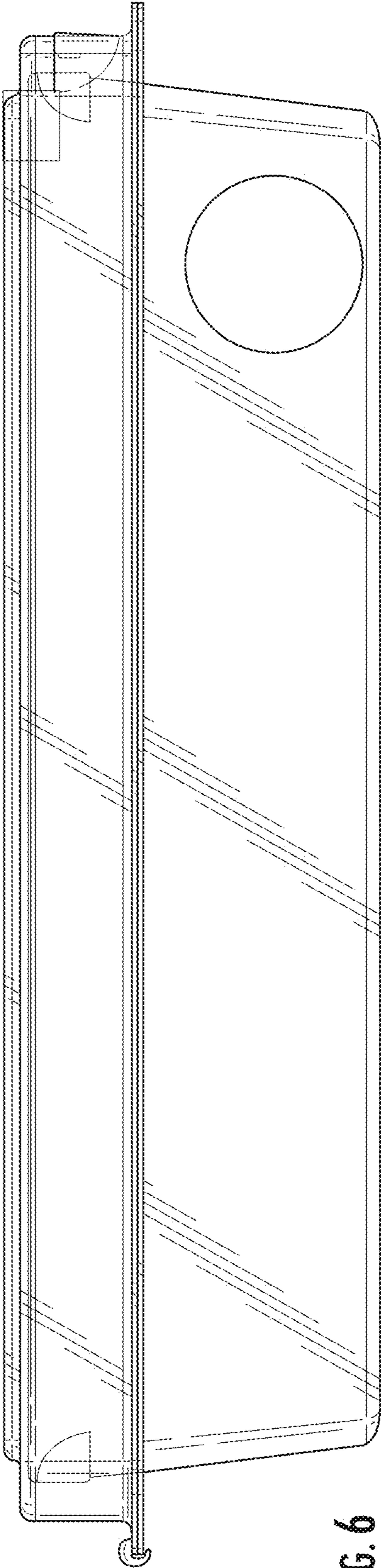


FIG. 6

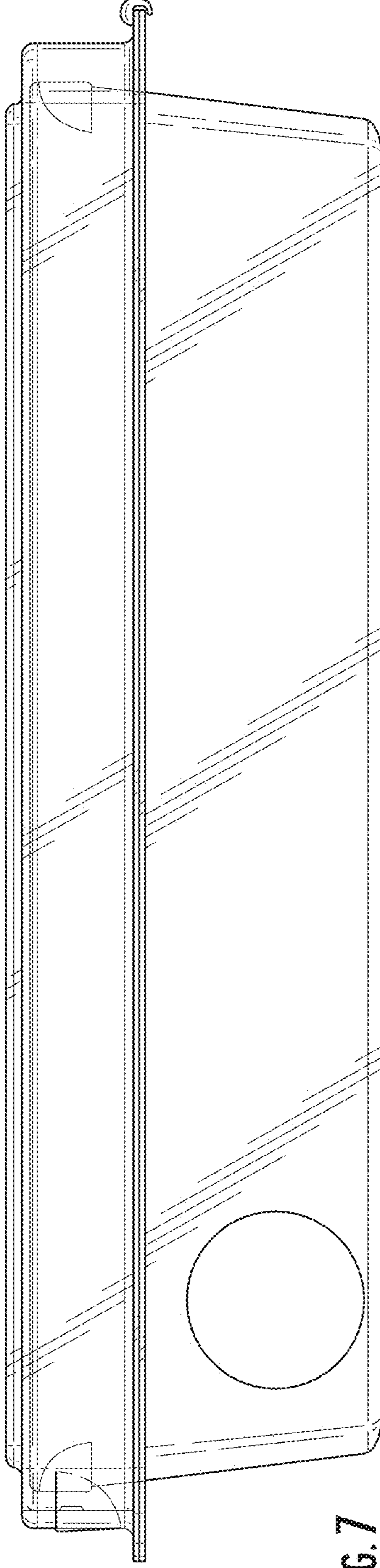


FIG. 7

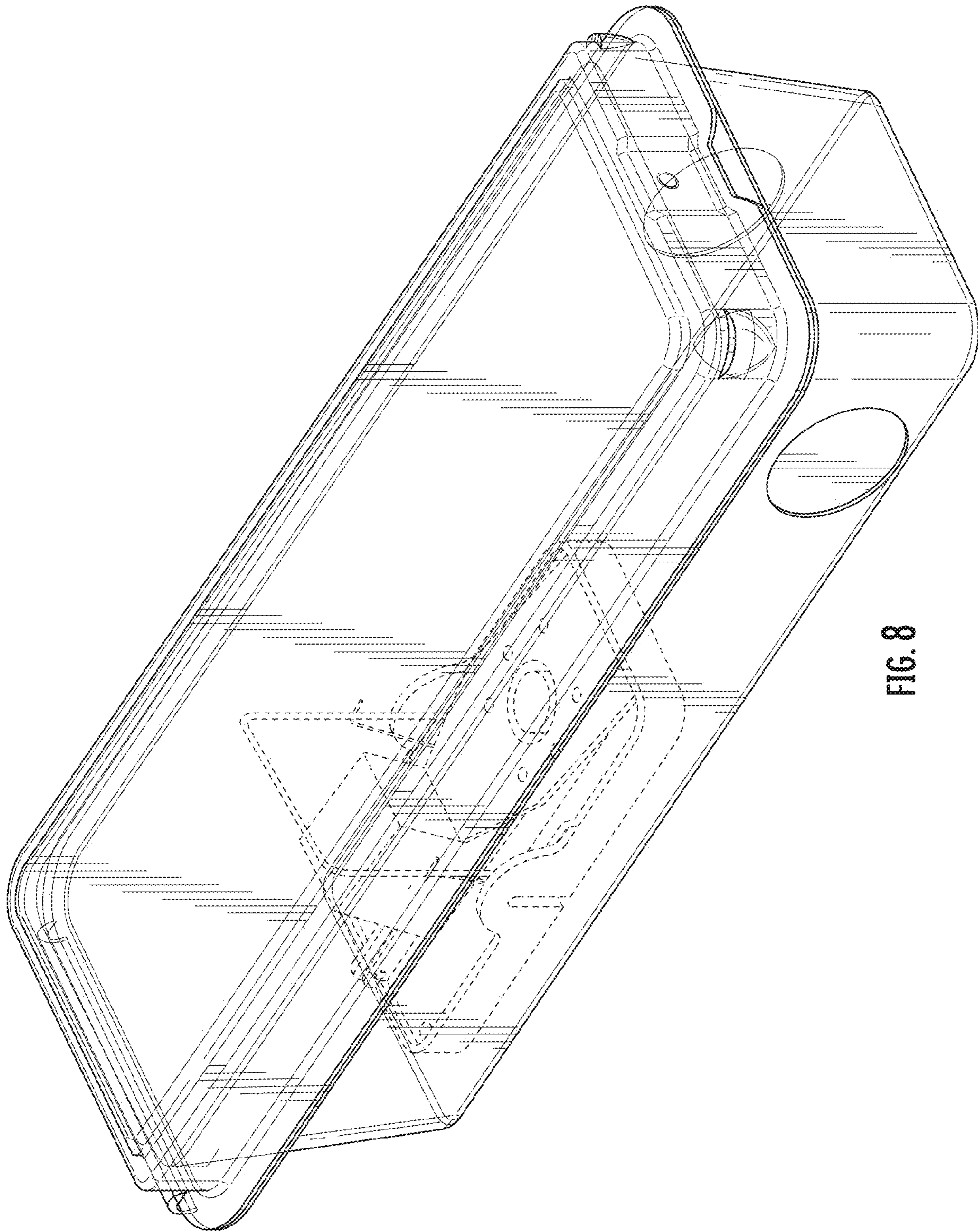
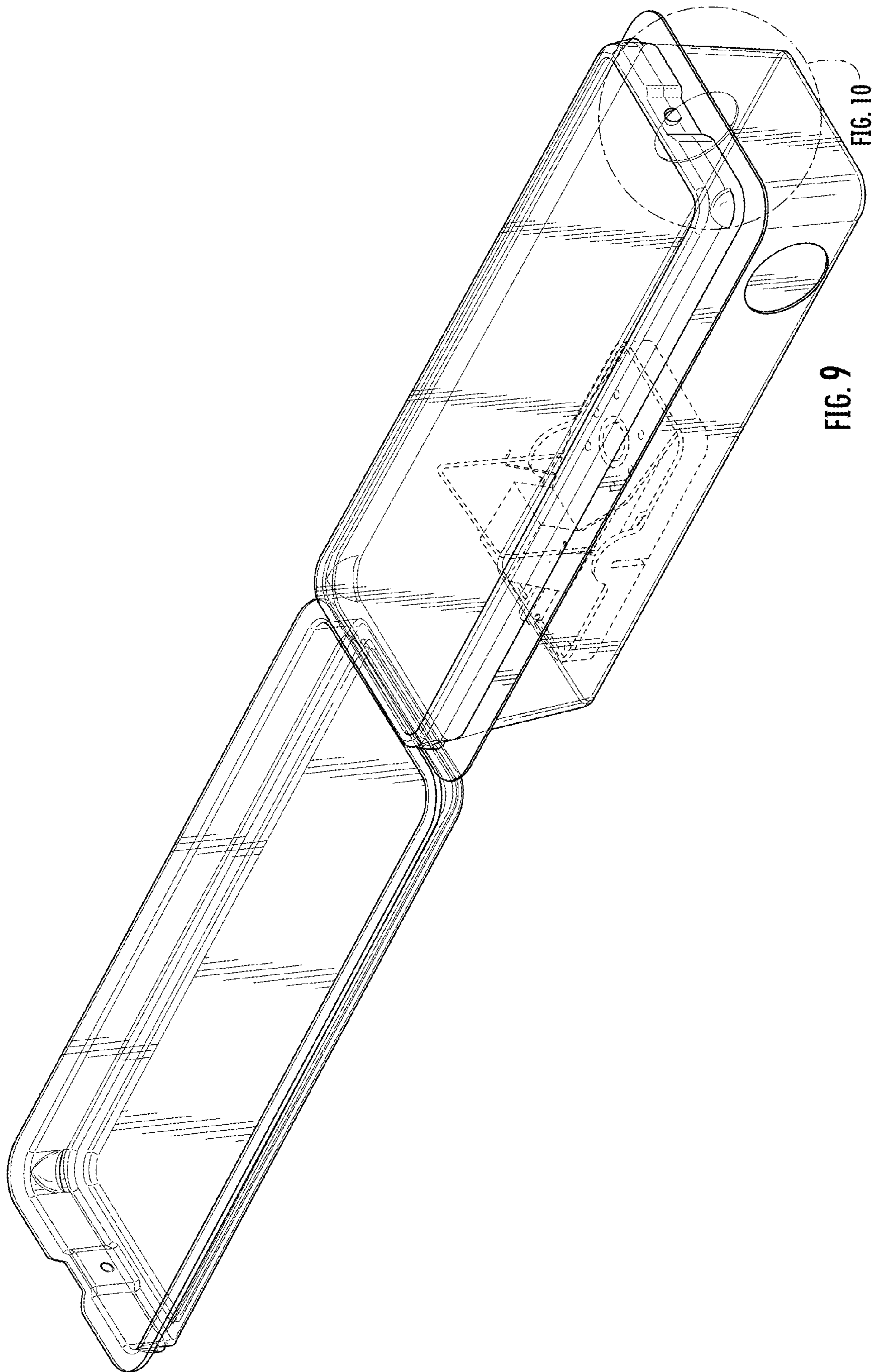


FIG. 8



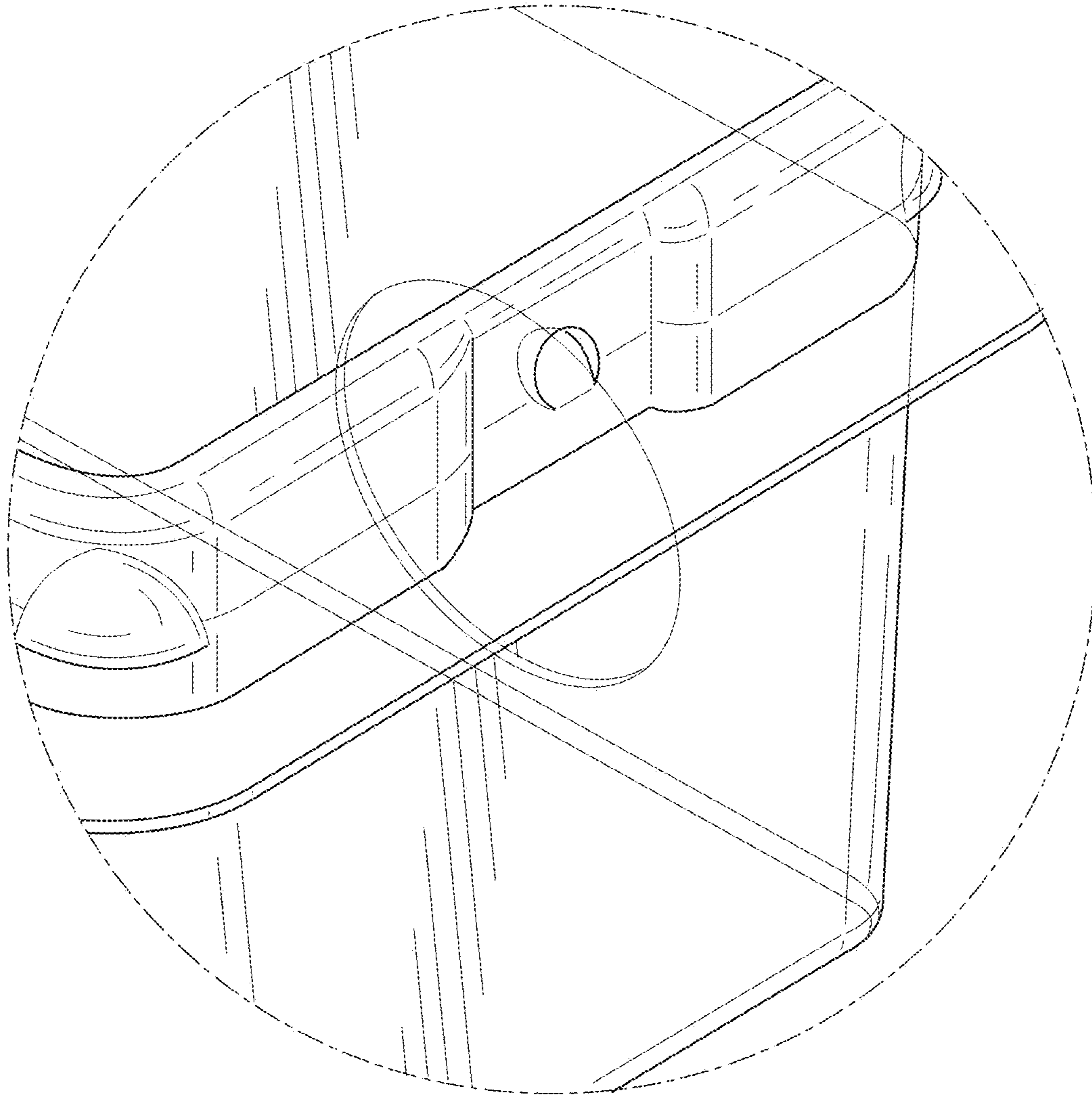


FIG. 10

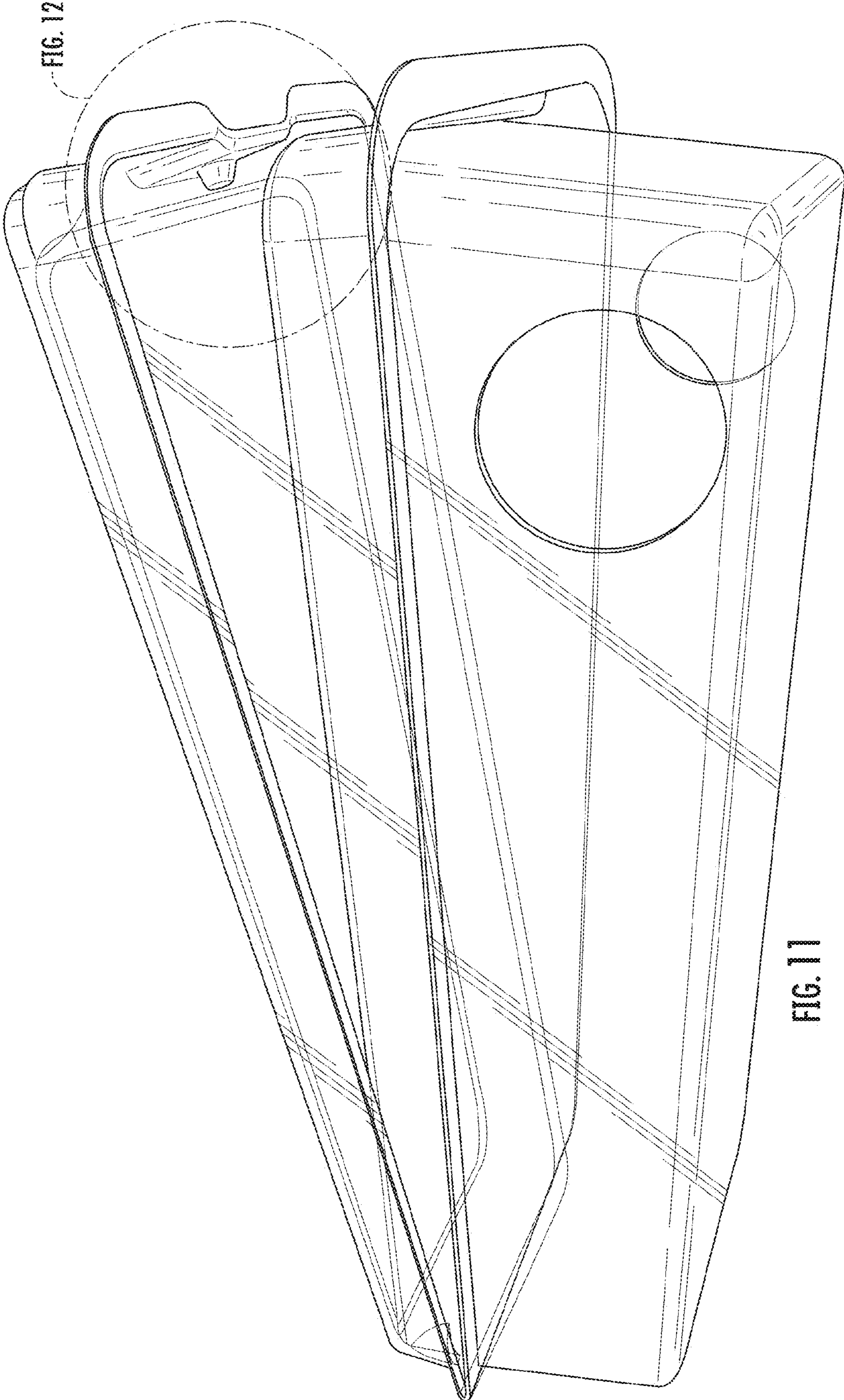


FIG. 12

FIG. 11

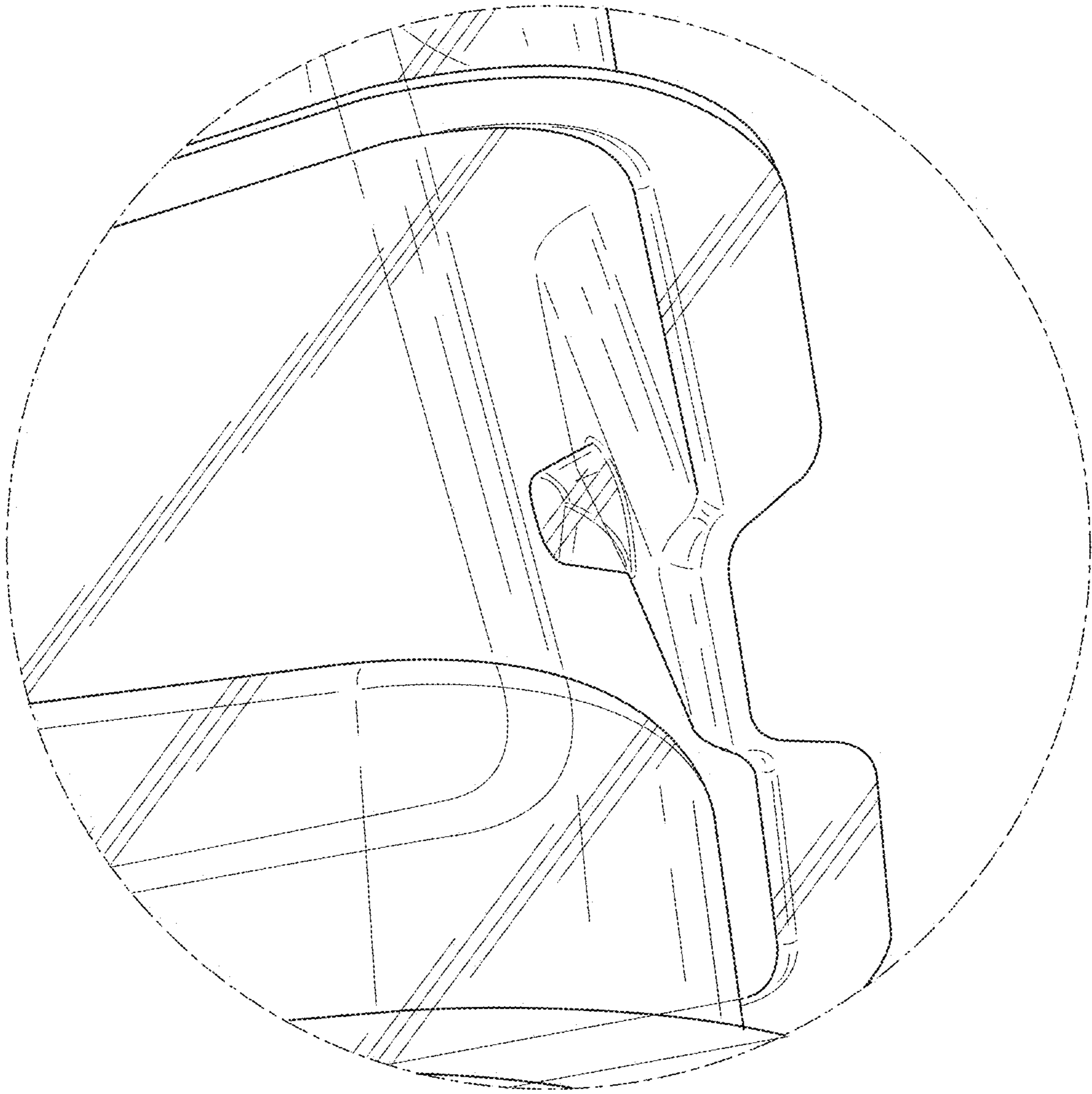
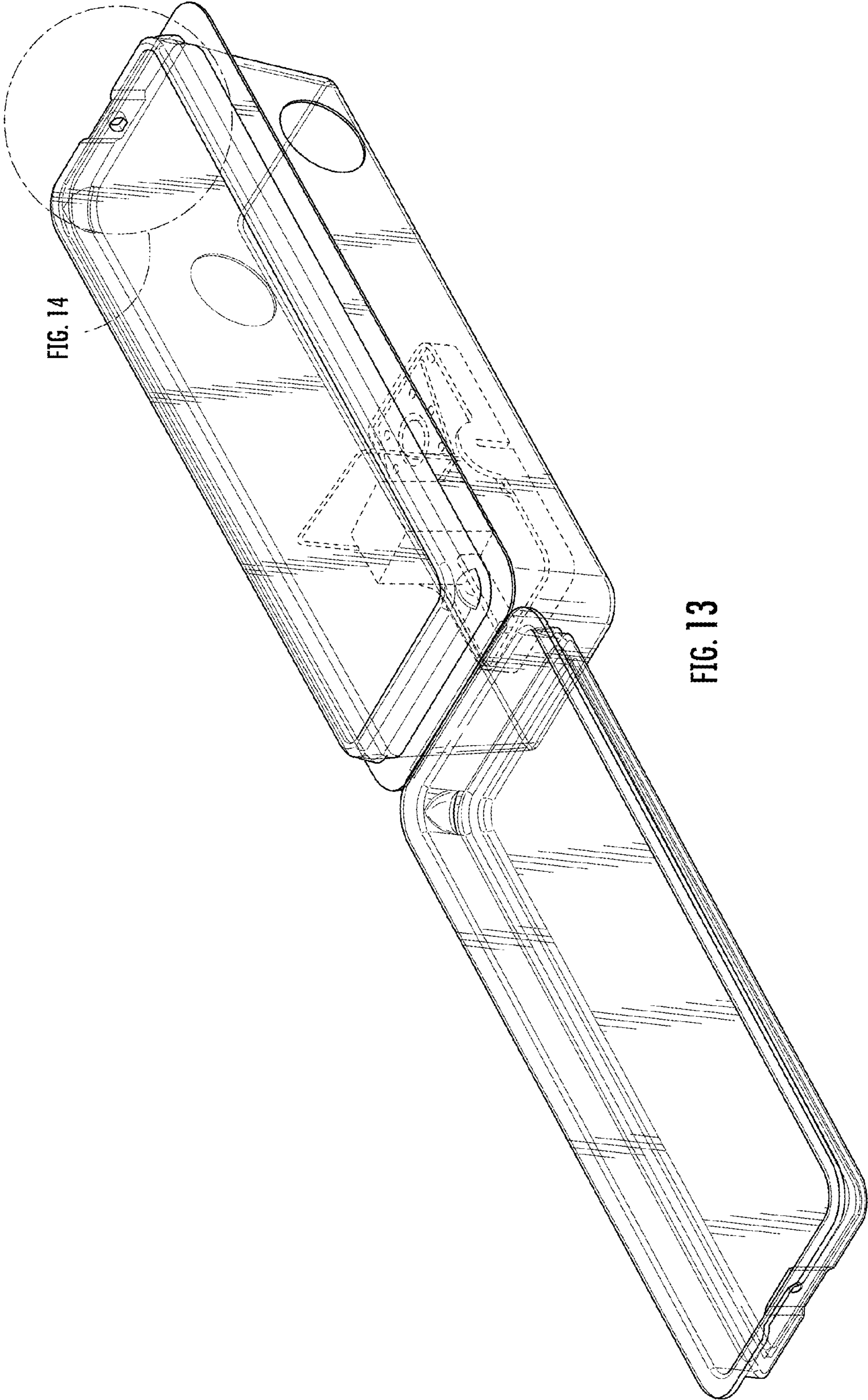


FIG. 12



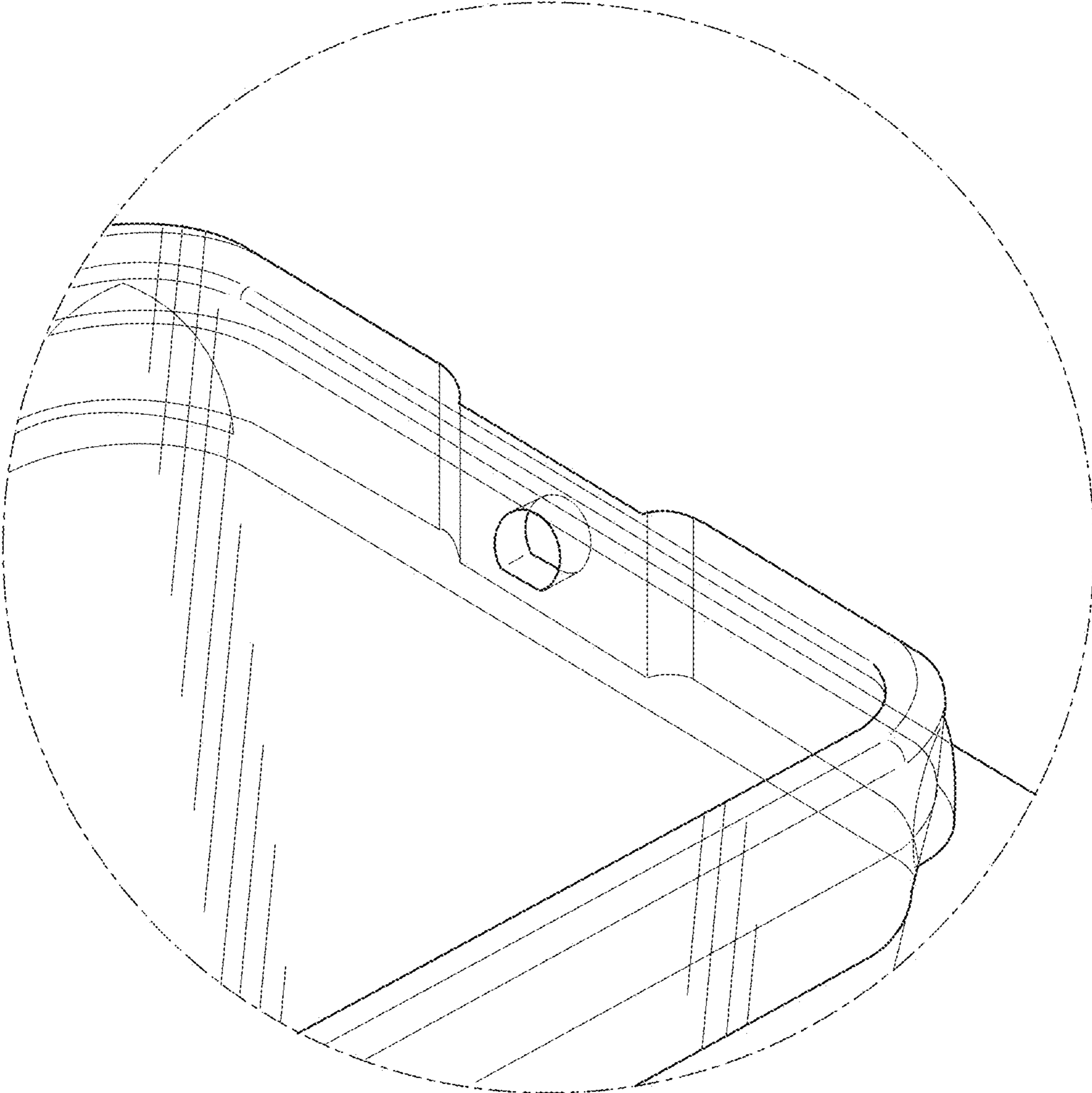


FIG. 14