



US00D884822S

(12) **United States Design Patent**  
**McCloy**

(10) **Patent No.:** **US D884,822 S**

(45) **Date of Patent:** **\*\* May 19, 2020**

(54) **BLANK FIREARM ROUND**

(71) Applicant: **Stephen A. McCloy**, Boise, ID (US)

(72) Inventor: **Stephen A. McCloy**, Boise, ID (US)

(\*\*) Term: **15 Years**

(21) Appl. No.: **29/674,332**

(22) Filed: **Dec. 20, 2018**

**Related U.S. Application Data**

(63) Continuation-in-part of application No. 16/139,467, filed on Sep. 24, 2018, which is a continuation of (Continued)

(51) **LOC (12) Cl.** ..... **22-03**

(52) **U.S. Cl.**  
USPC ..... **D22/116**

(58) **Field of Classification Search**  
USPC ..... D22/100, 103, 108, 109, 113, 115, 116, D22/199; D21/302, 567, 573  
CPC .... F41C 7/00; F41C 23/16; F41G 1/02; F41G 1/027; F41G 1/14; F41J 1/10; F42B 6/10; F42B 7/00; F42B 7/02; F41A 17/38  
See application file for complete search history.

(56) **References Cited**

**U.S. PATENT DOCUMENTS**

119,357 A 9/1871 Hobbs  
225,464 A 3/1880 Coloney  
(Continued)

**OTHER PUBLICATIONS**

“38 Special—Smokeless Blanks—Winchester Super-X—50 Rounds” [online]. luckygunner.com. [Retrieved on Jan. 22, 2020]. Retrieved from the Internet: <<https://www.luckygunner.com/38spl-winchester-smokeless-blanks-50>>.\*

(Continued)

*Primary Examiner* — Khawaja Anwar

*Assistant Examiner* — Mojtaba Tehrani

(74) *Attorney, Agent, or Firm* — Pedersen & Company, PLLC; Ken J. Pedersen; Barbara S. Pedersen

(57) **CLAIM**

The ornamental design for a blank firearm round, as shown and described.

**DESCRIPTION**

FIG. 1 is a right-side view of a first embodiment of a blank firearm round, showing my new design, the left-side, top, and bottom views of this embodiment being the same;

FIG. 2 is a front end of the embodiment of FIG. 1.

FIG. 3 is a rear end view of the embodiment of FIG. 1.

FIG. 4 is a front-right perspective view of the embodiment of FIG. 1.

FIG. 5 is a front-top perspective view of the embodiment of FIG. 1.

FIG. 6 is a rear-left perspective of the embodiment of FIG. 1.

FIG. 7 is a rear-bottom perspective view of the embodiment of FIG. 1.

FIG. 8 is a right-side view of a second embodiment of a blank firearm round showing my new design, the left side view of this embodiment being the same;

FIG. 9 is a top view of the embodiment of FIG. 8, the bottom view being the same.

FIG. 10 is a front end view of the embodiment of FIG. 8.

FIG. 11 is a rear end view of the embodiment of FIG. 8.

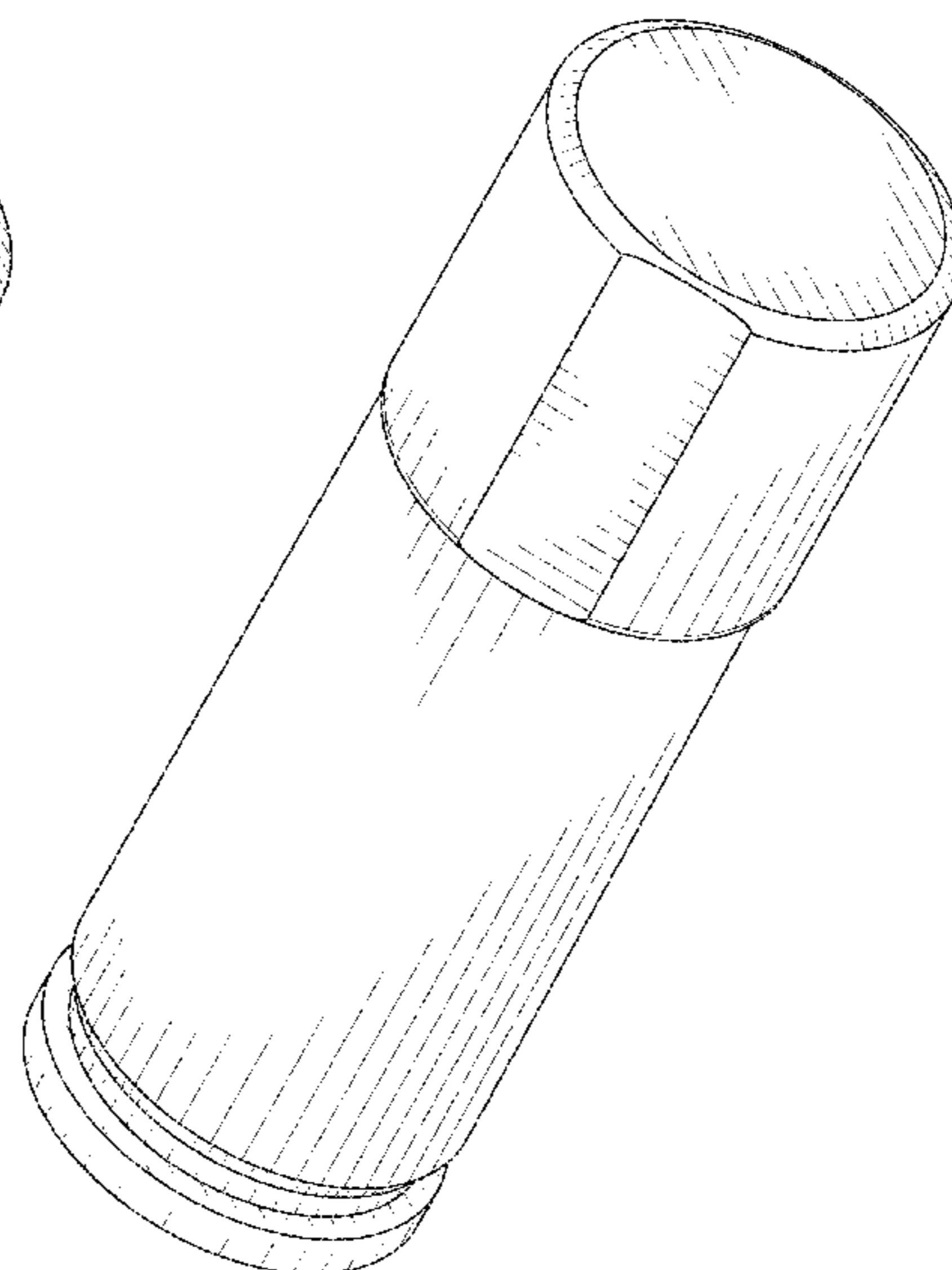
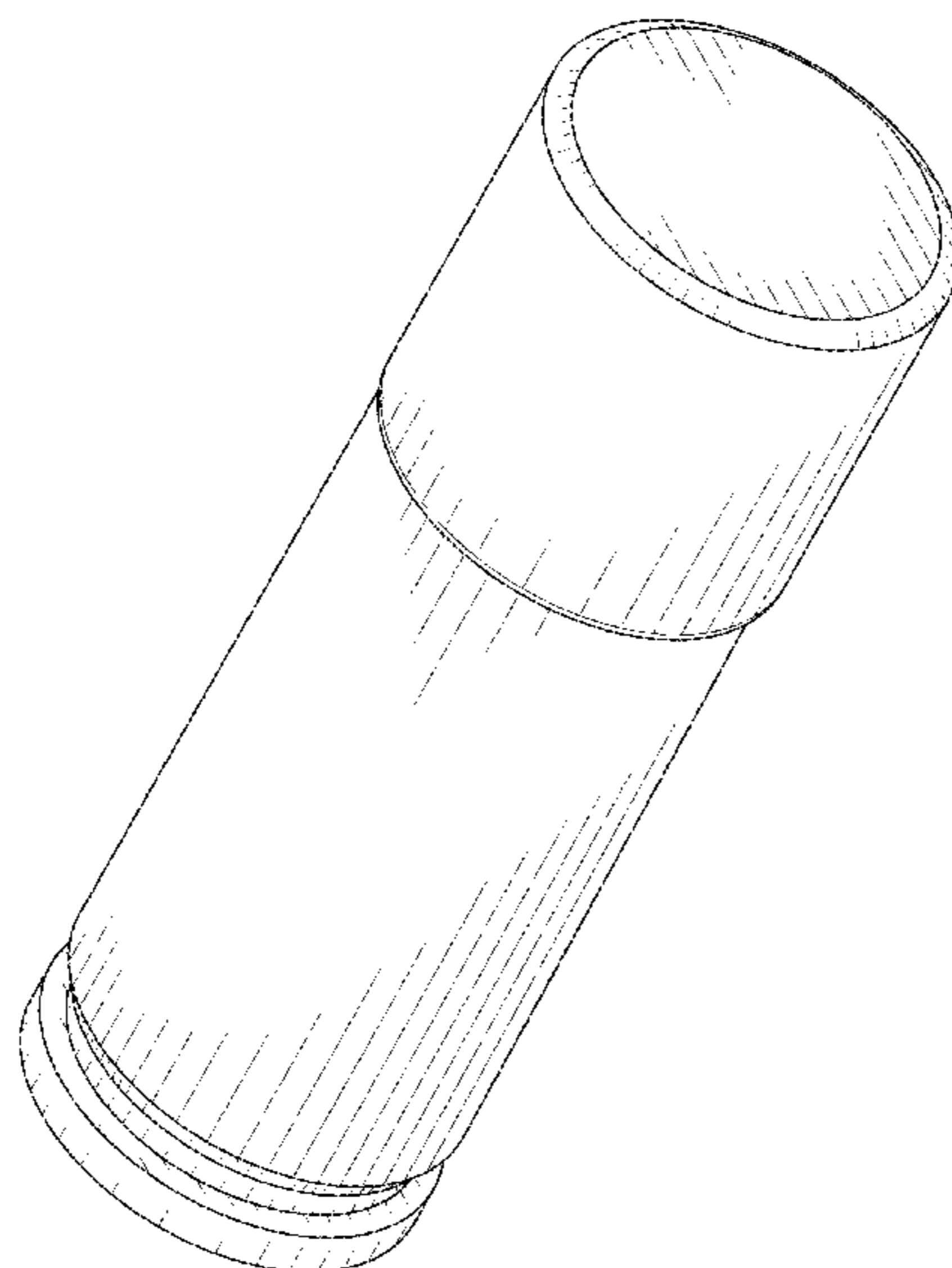
FIG. 12 is a front-right perspective view of the embodiment of FIG. 8.

FIG. 13 is a front-top perspective view of the embodiment of FIG. 8.

FIG. 14 is a rear-left perspective view of the embodiment of FIG. 8; and,

FIG. 15 is a rear-bottom perspective of the embodiment of FIG. 8.

**1 Claim, 13 Drawing Sheets**





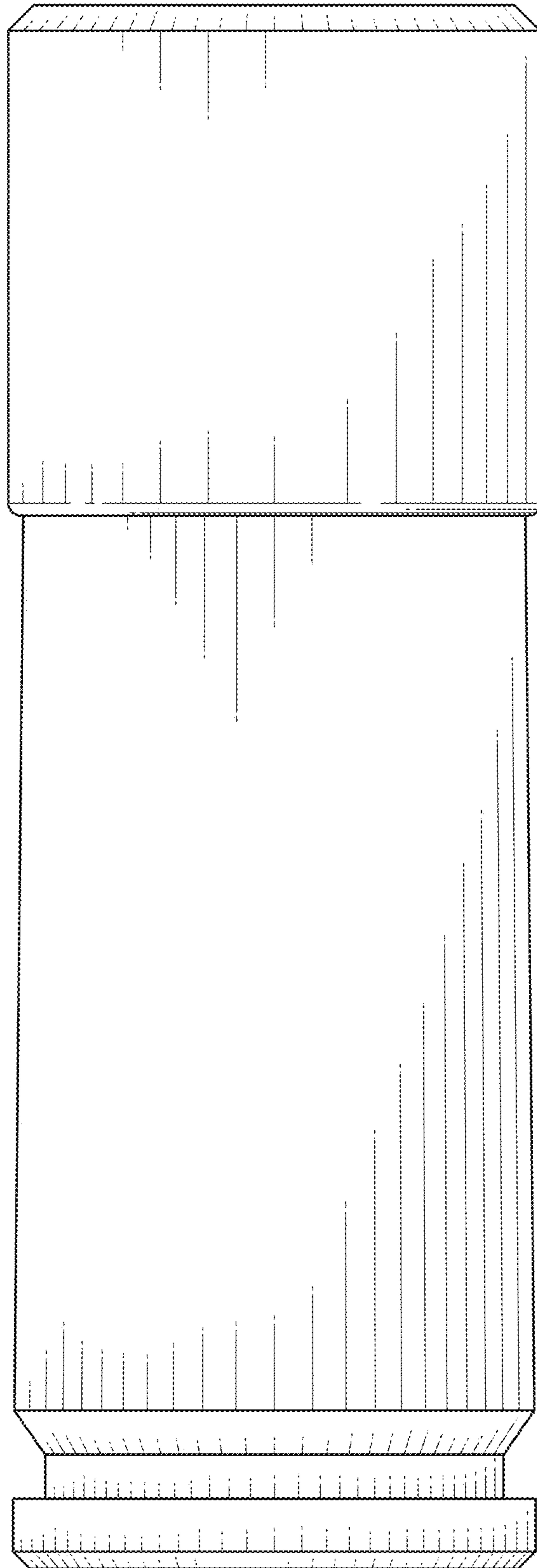


FIG. 1

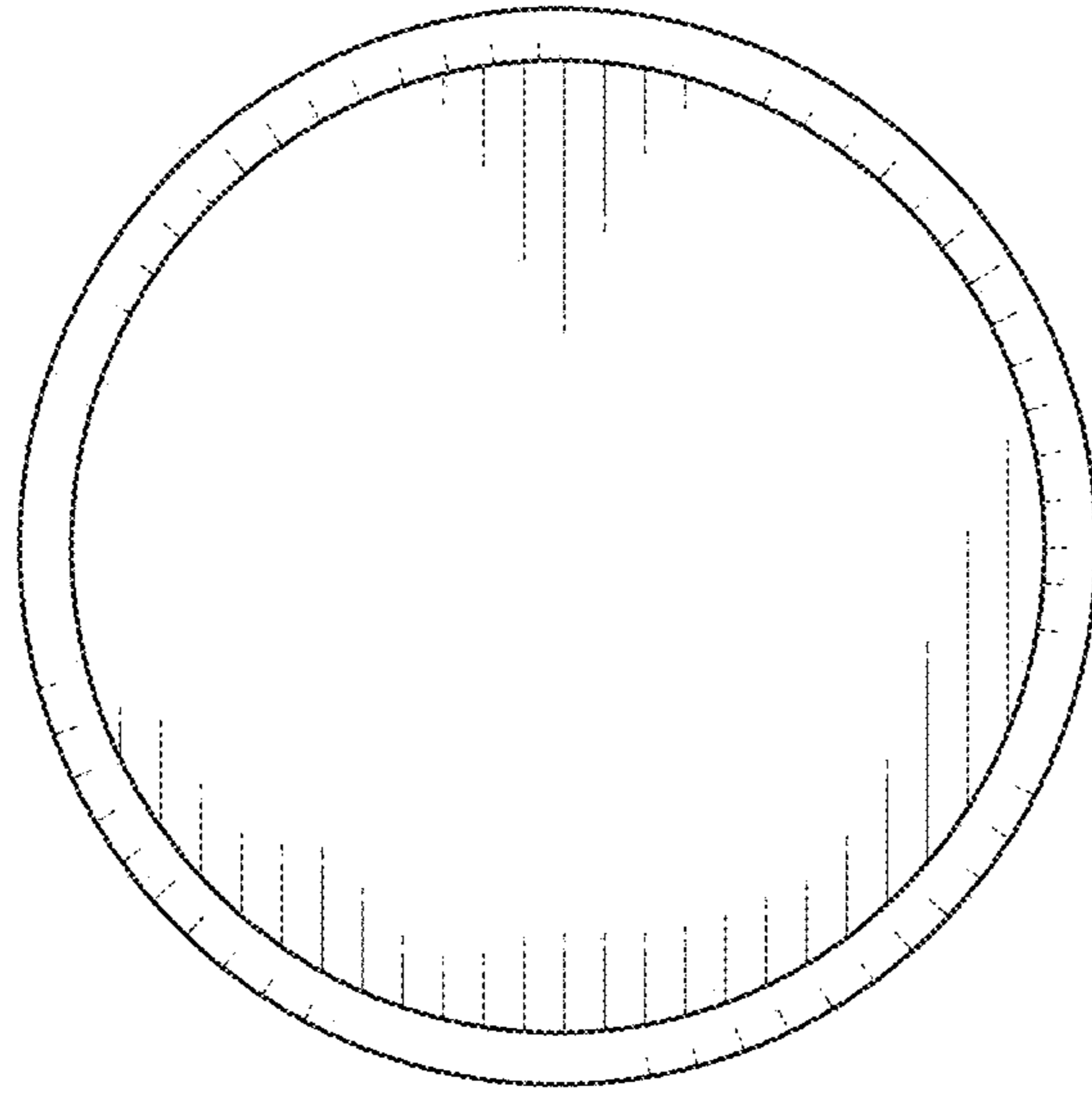


FIG. 2

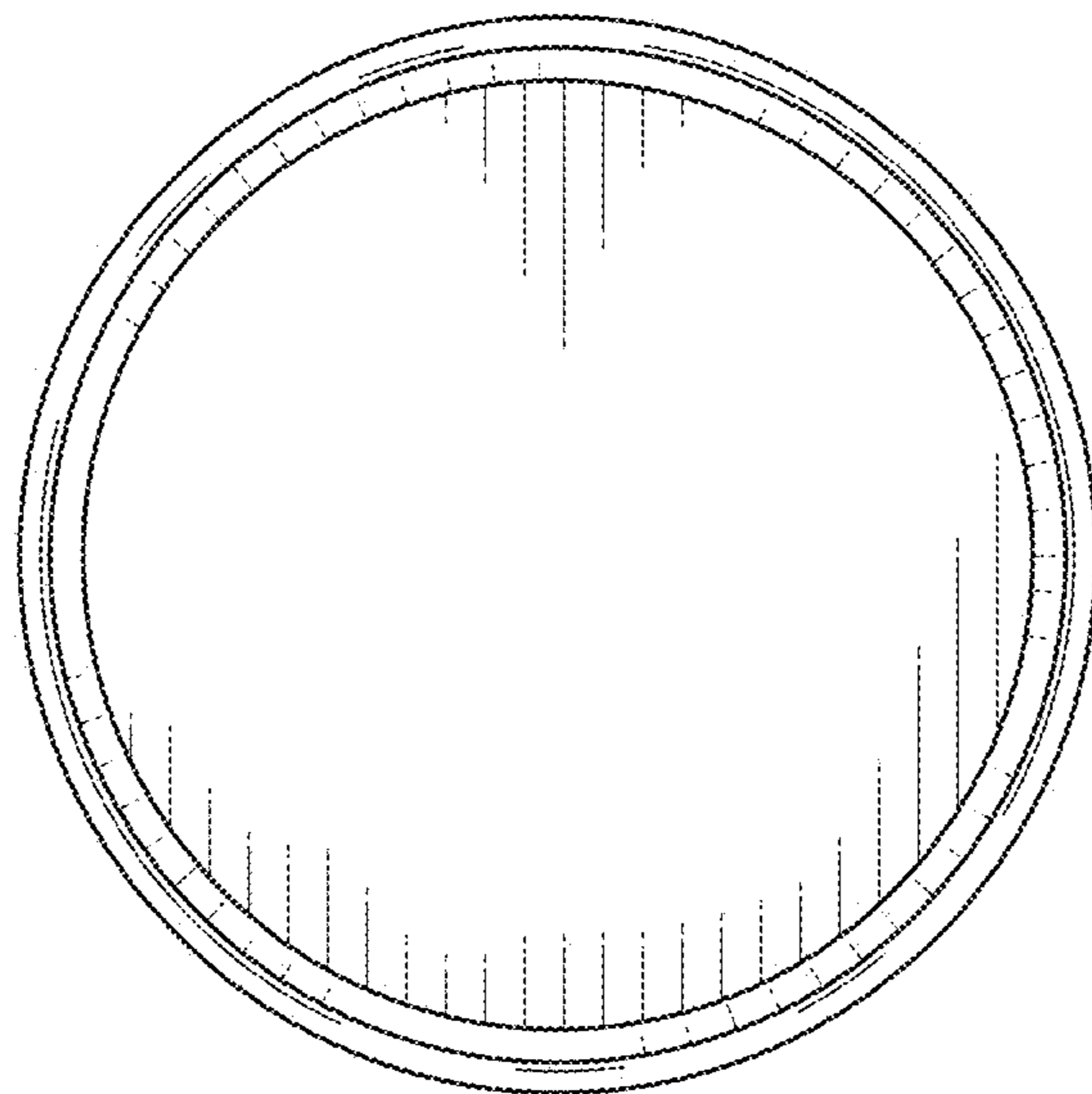


FIG. 3



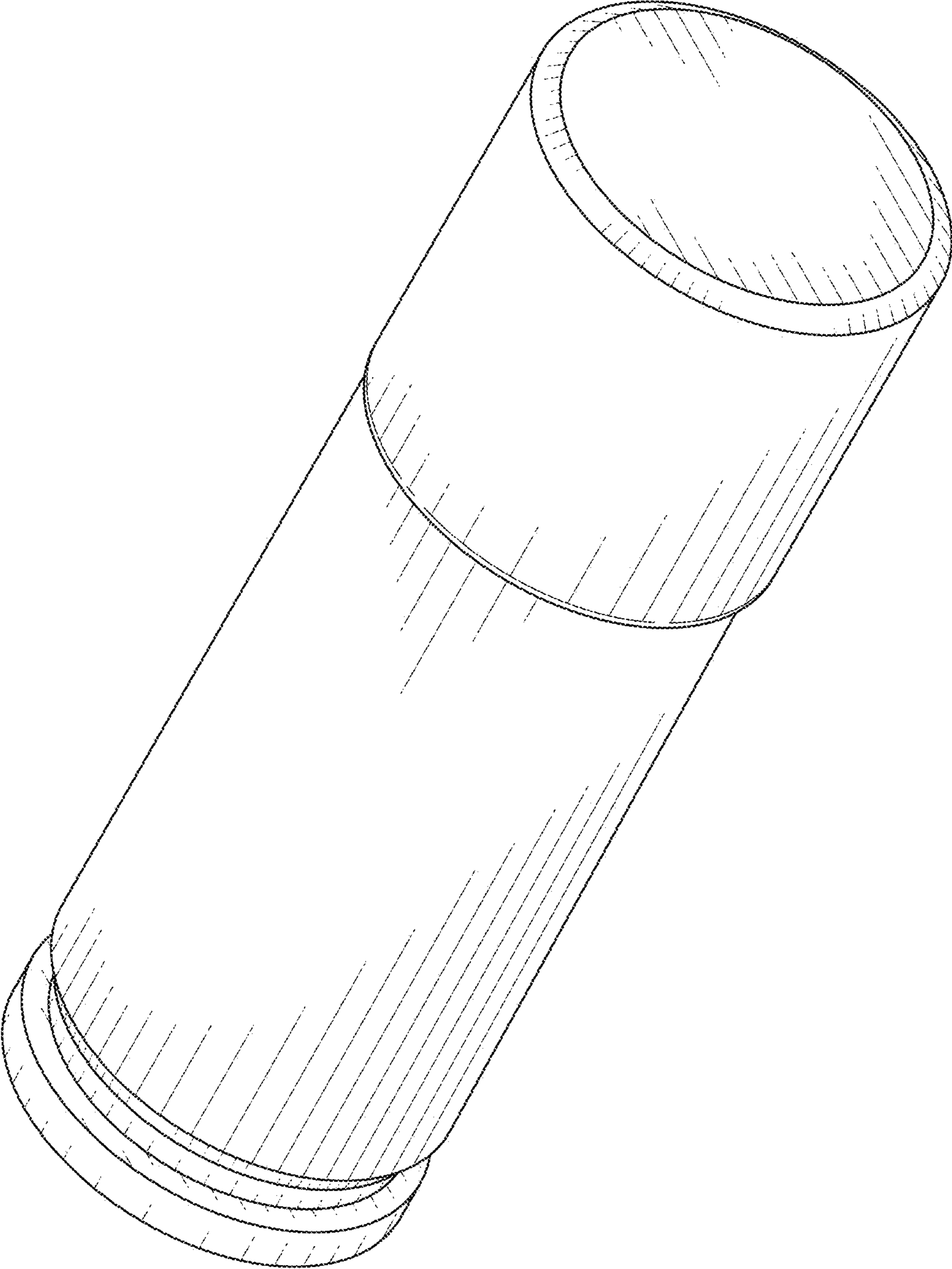


FIG. 4

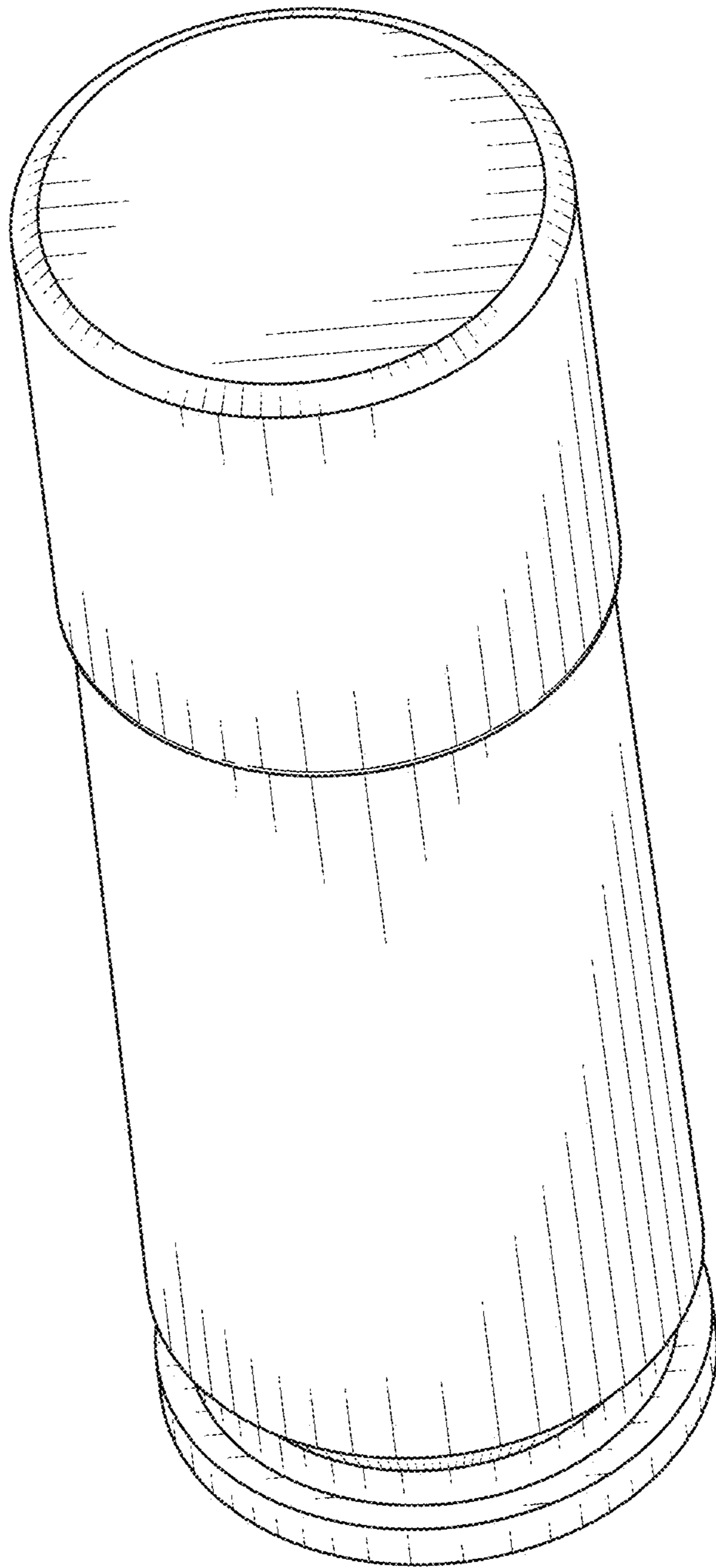


FIG. 5

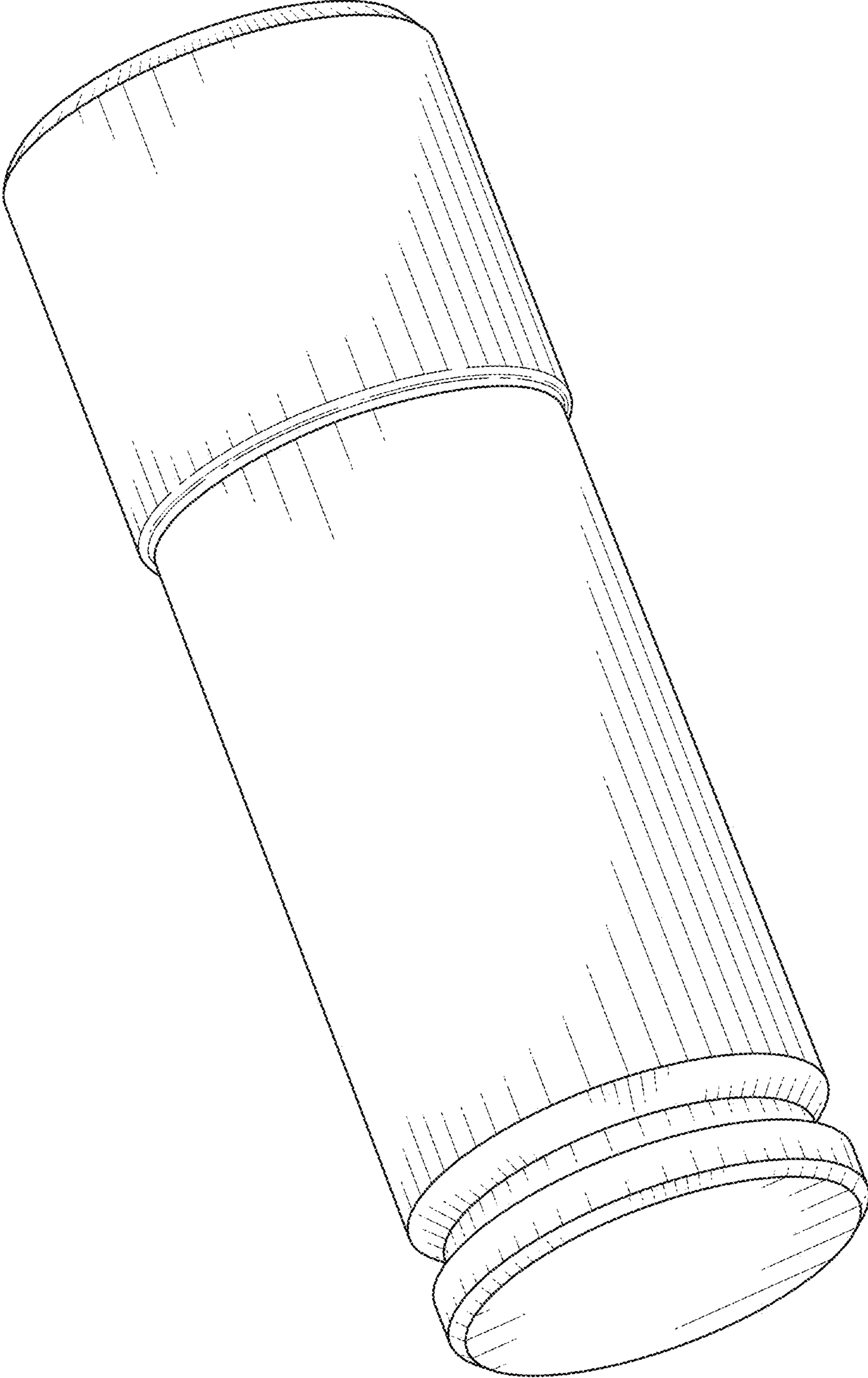


FIG. 6

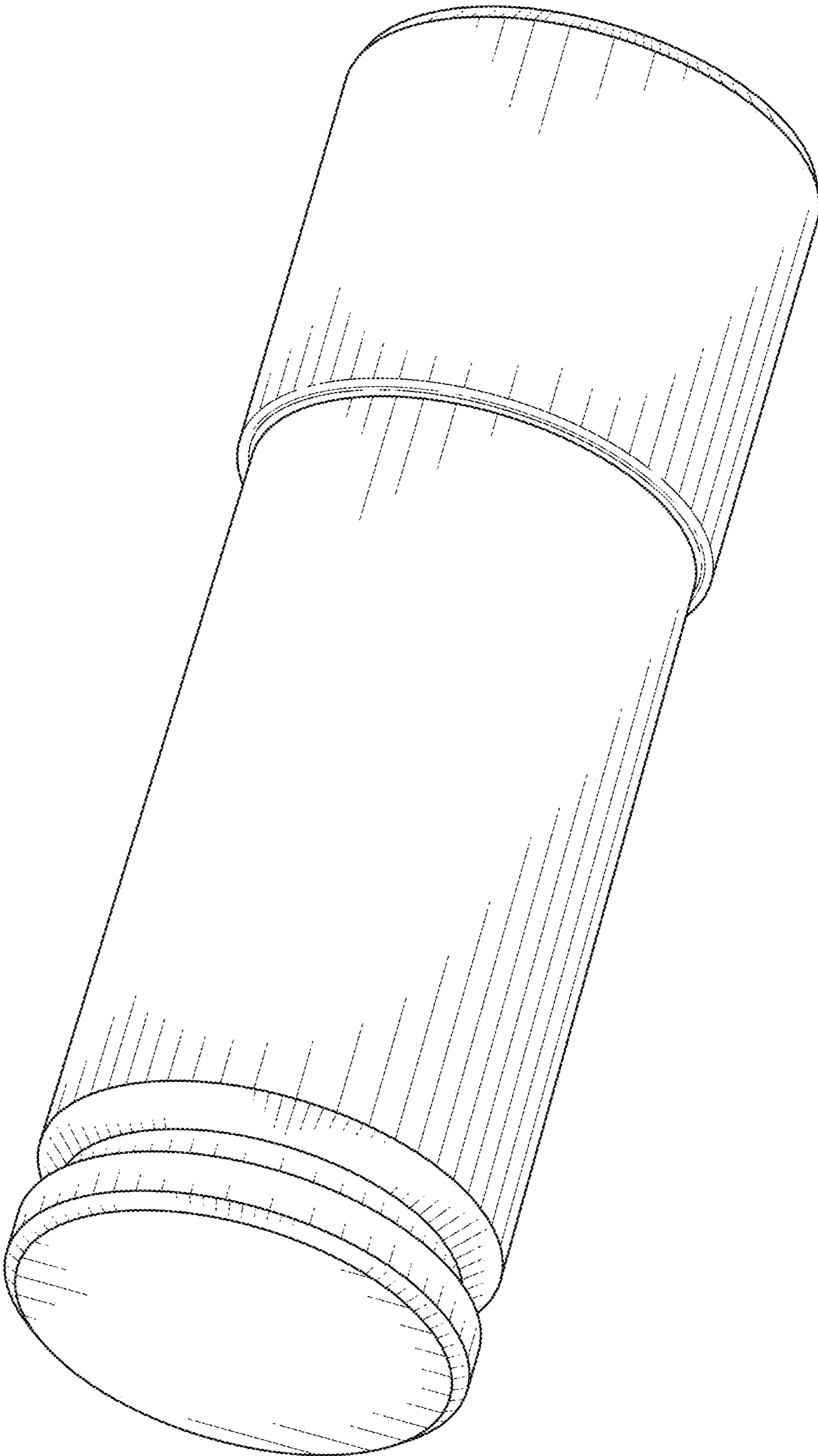


FIG. 7



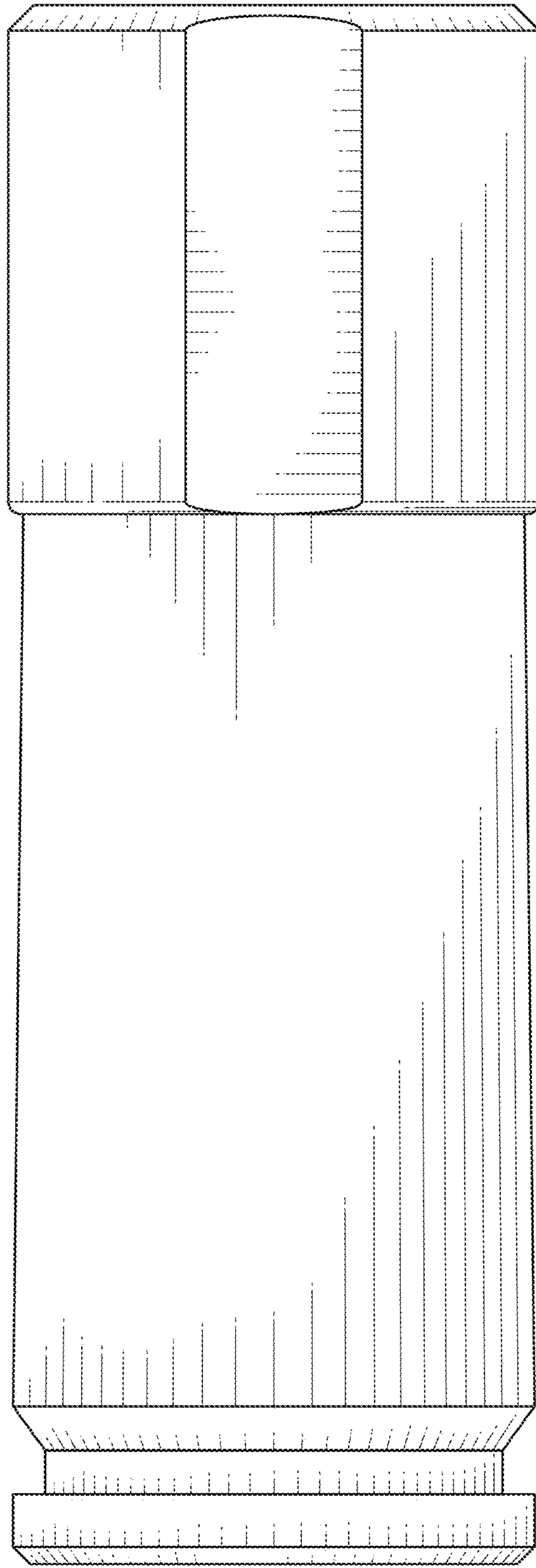


FIG. 8

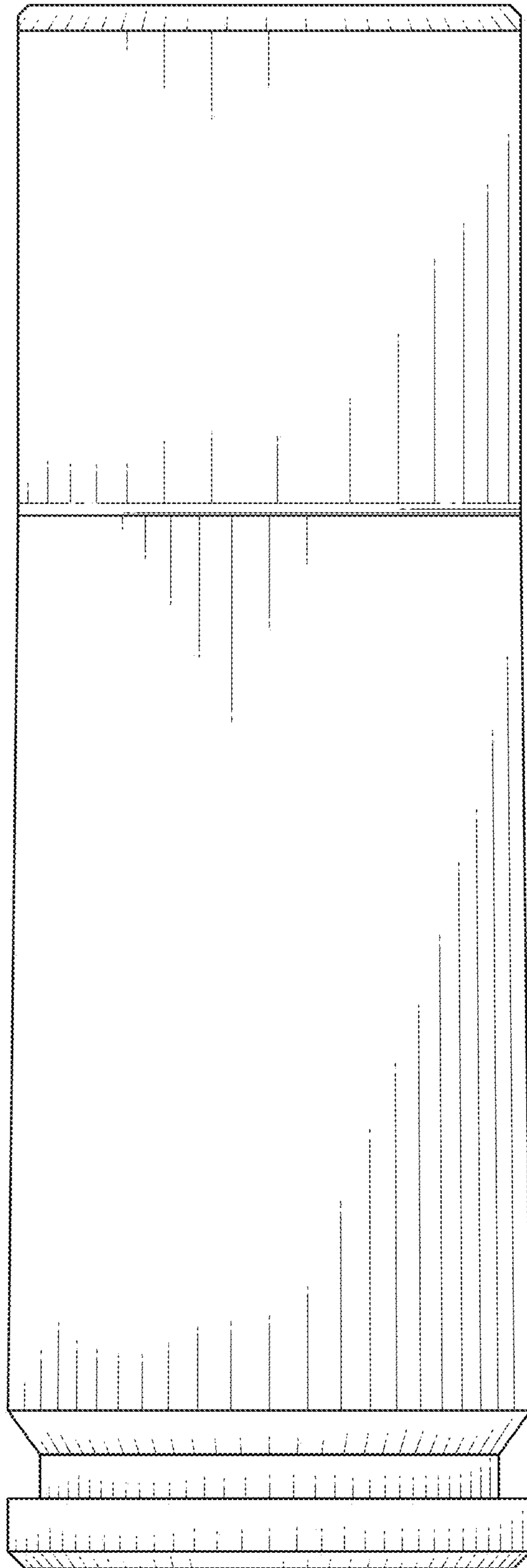


FIG. 9

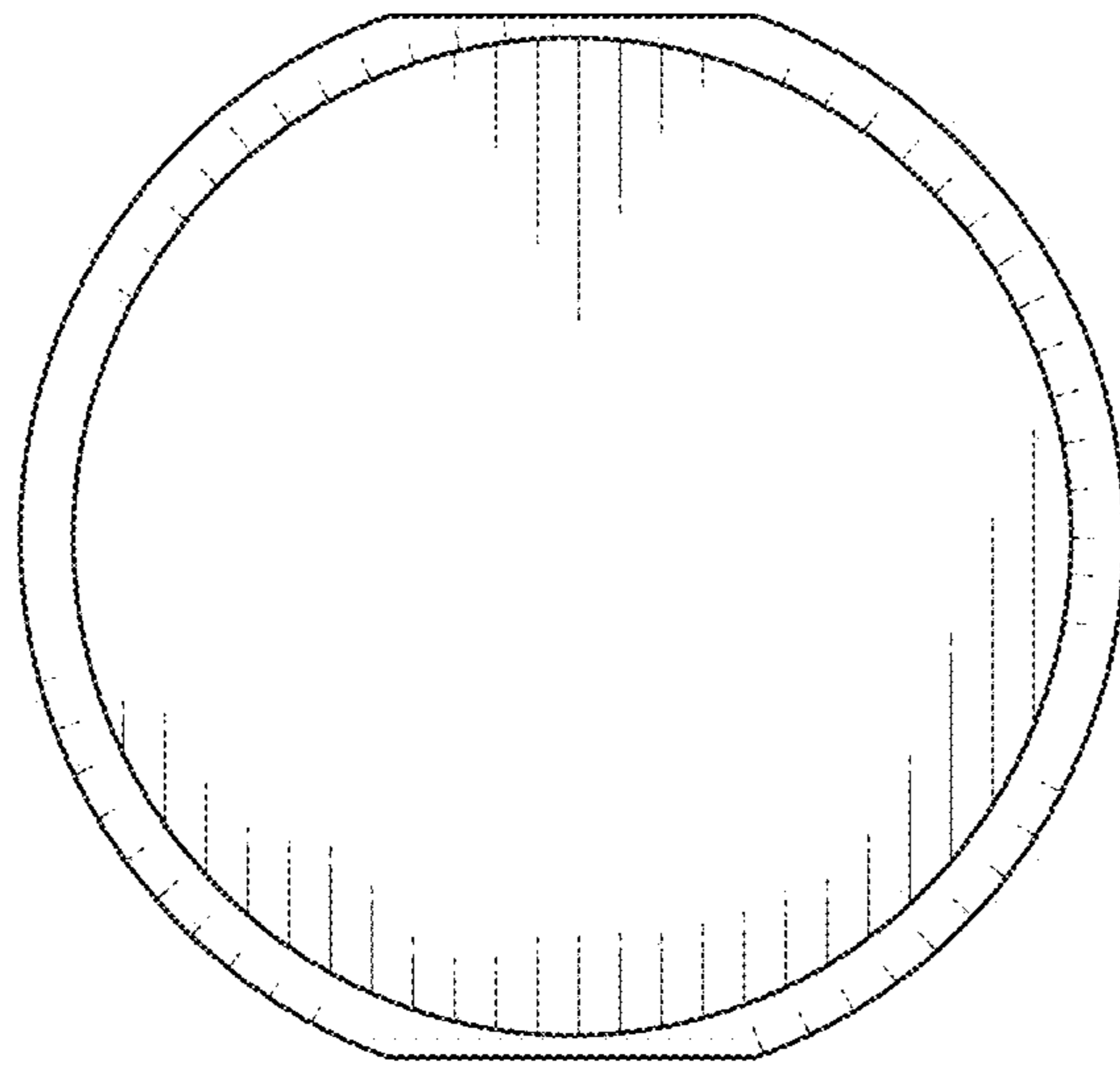


FIG. 10

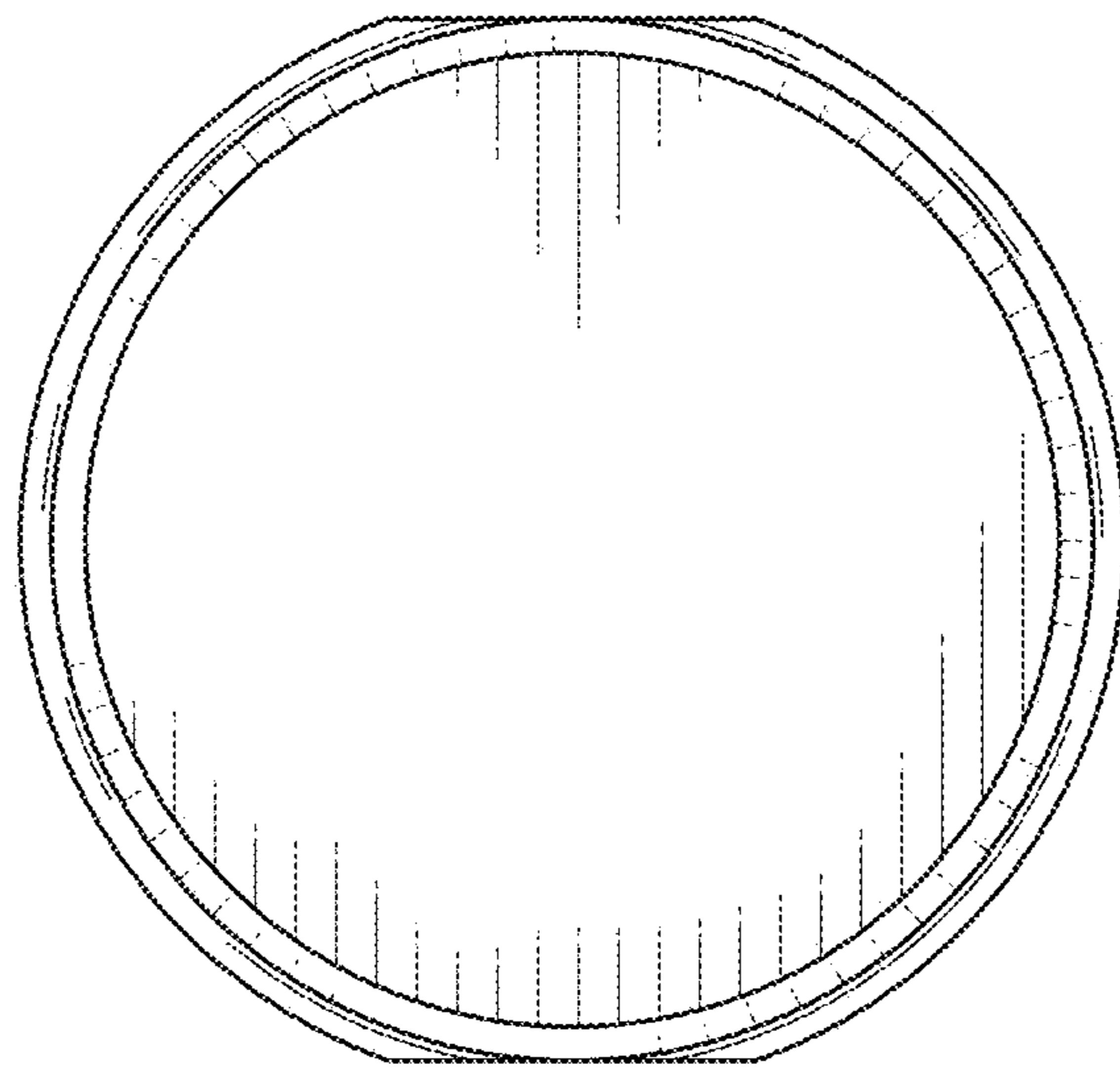


FIG. 11

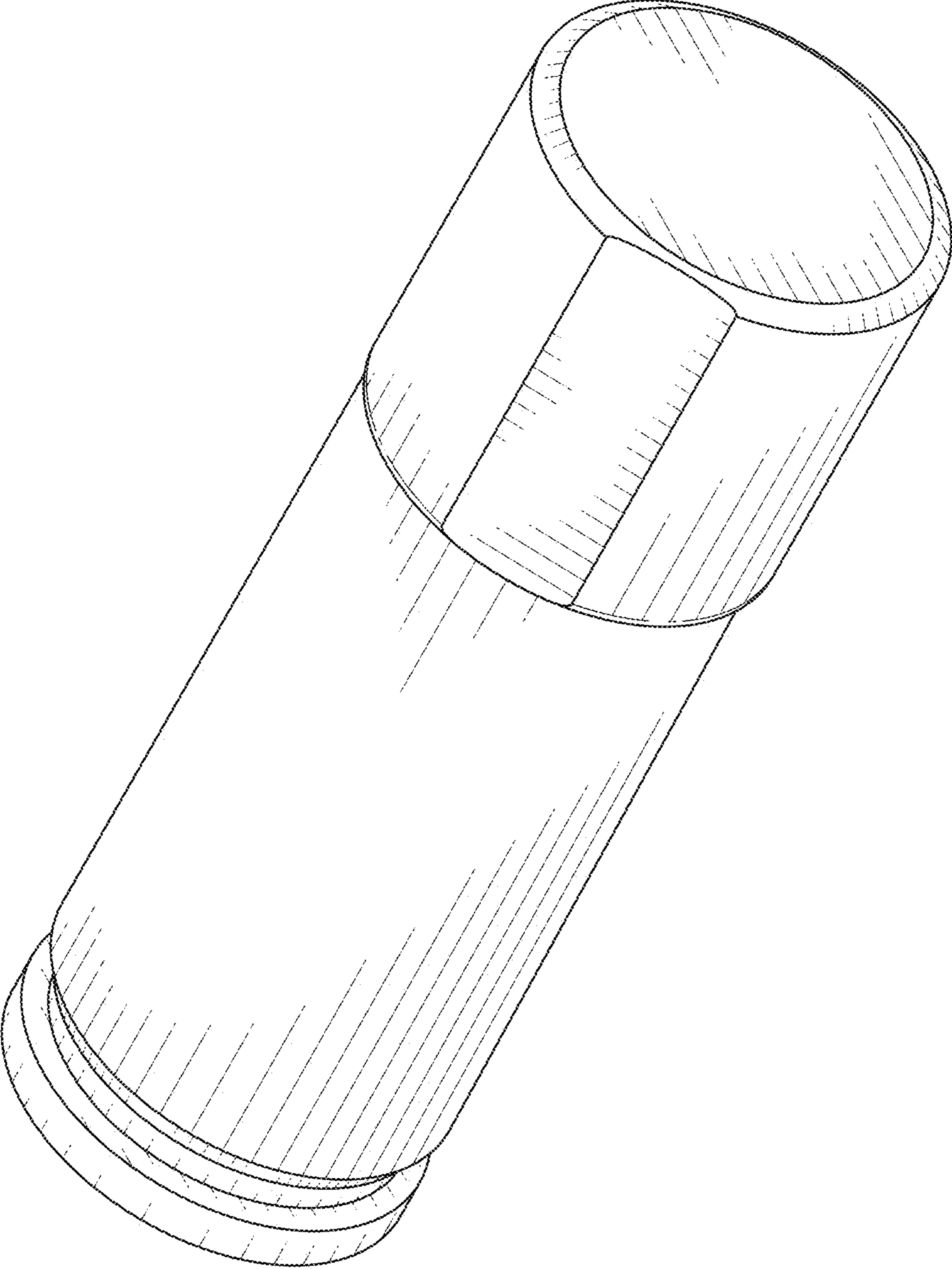


FIG. 12



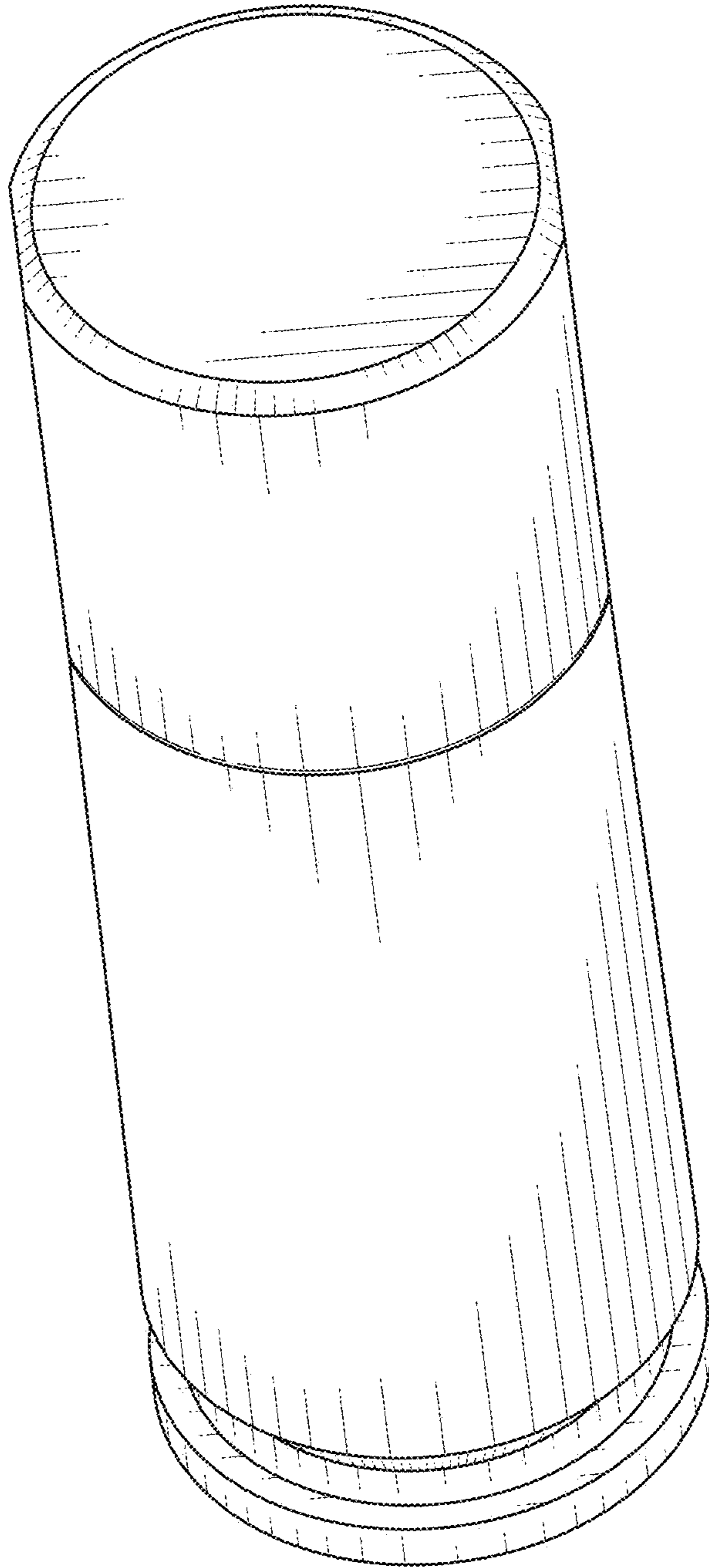


FIG. 13

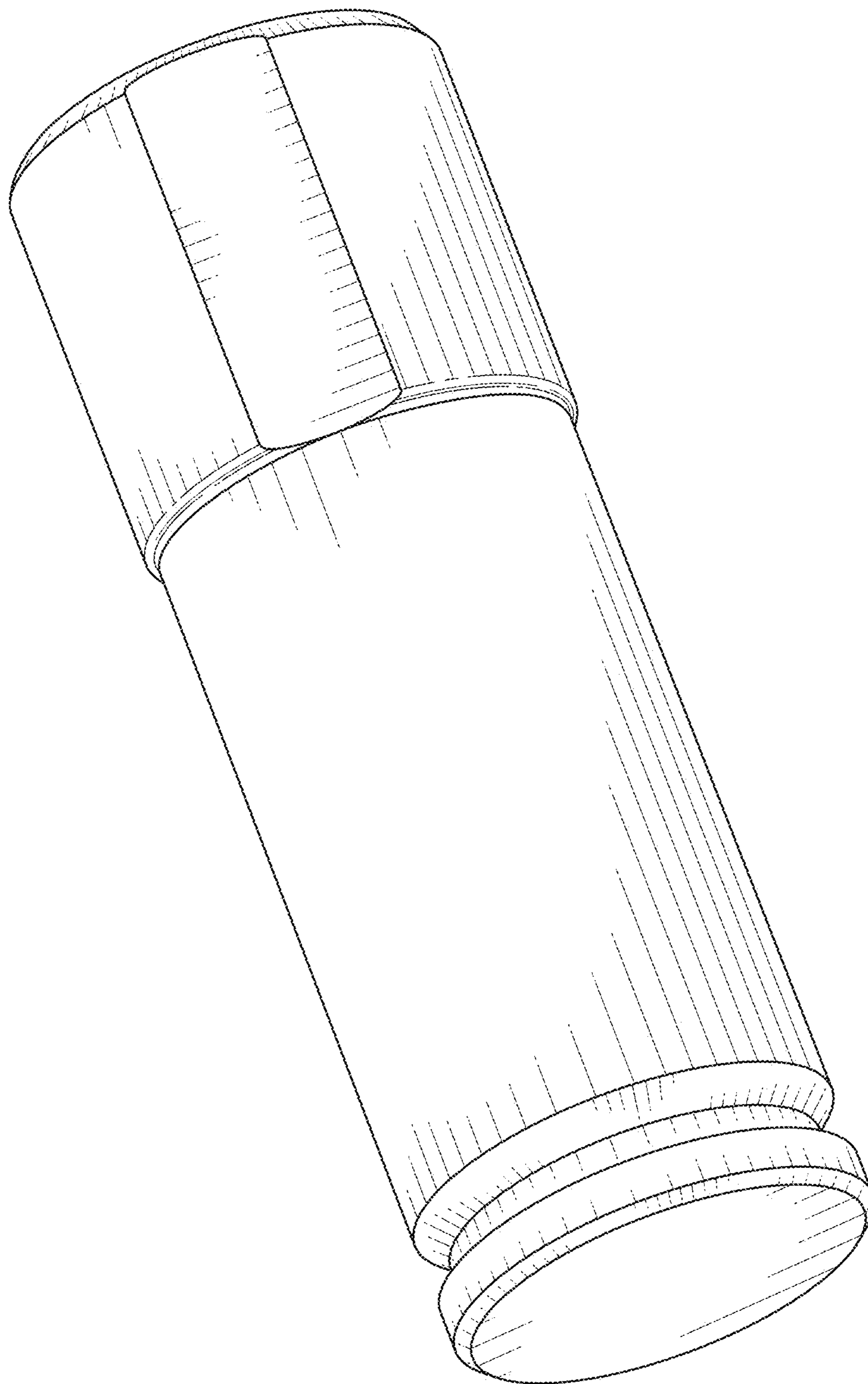


FIG. 14

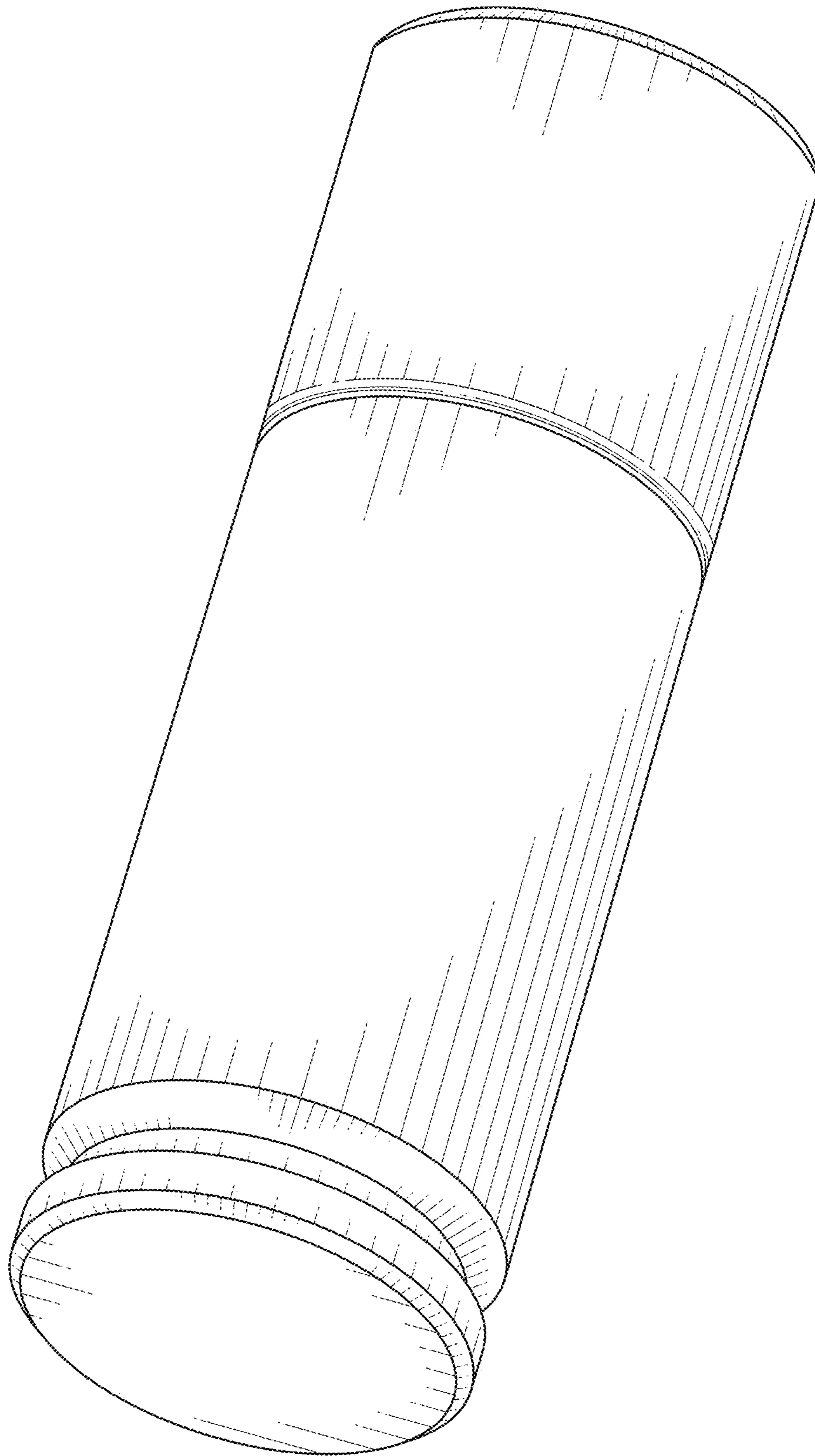


FIG. 15