



US00D884821S

(12) **United States Design Patent**
Peterson

(10) **Patent No.:** **US D884,821 S**

(45) **Date of Patent:** **** *May 19, 2020**

(54) **ENHANCED BALL ROUND**

(71) Applicant: **Vista Outdoor Operations LLC**,
Farmington, UT (US)

(72) Inventor: **Bryan P. Peterson**, Isanti, MN (US)

(73) Assignee: **Vista Outdoor Operations LLC**,
Anoka, MN (US)

(*) Notice: This patent is subject to a terminal disclaimer.

(**) Term: **15 Years**

(21) Appl. No.: **29/637,432**

(22) Filed: **Feb. 19, 2018**

Related U.S. Application Data

(63) Continuation of application No. 29/544,894, filed on Nov. 6, 2015, now Pat. No. Des. 813,974.

(51) **LOC (12) Cl.** **22-16**

(52) **U.S. Cl.**
USPC **D22/116**

(58) **Field of Classification Search**
USPC D22/115-116
CPC F42B 30/02; F42B 5/02; F42B 5/26; F42B 12/34; F42B 8/04; F42B 10/22; F42B 8/14; F41A 9/83; F41A 9/82; F41A 9/01; F41A 9/09; F41A 9/86
See application file for complete search history.

(56) **References Cited**

U.S. PATENT DOCUMENTS

29,272 A 7/1860 Hotchkiss
36,197 A 8/1862 Shaler
RE1,410 E 2/1863 Lindner
40,153 A 10/1863 Billings
693,329 A 2/1902 Neubauer

(Continued)

FOREIGN PATENT DOCUMENTS

AT 264322 8/1968
AT 334787 2/1977

(Continued)

OTHER PUBLICATIONS

“Before 2014” SP-10 armor piercing pistol ammunition downloaded from the internet at <http://modernfirearms.net/ammunition/russian-special-cartridges-e.html>.

(Continued)

Primary Examiner — Michael A. Pratt

(74) *Attorney, Agent, or Firm* — Reed Smith LLP;
Matthew P. Frederick; Cheryl L. Gastineau

(57) **CLAIM**

The ornamental design for an enhanced ball round, as shown and described.

DESCRIPTION

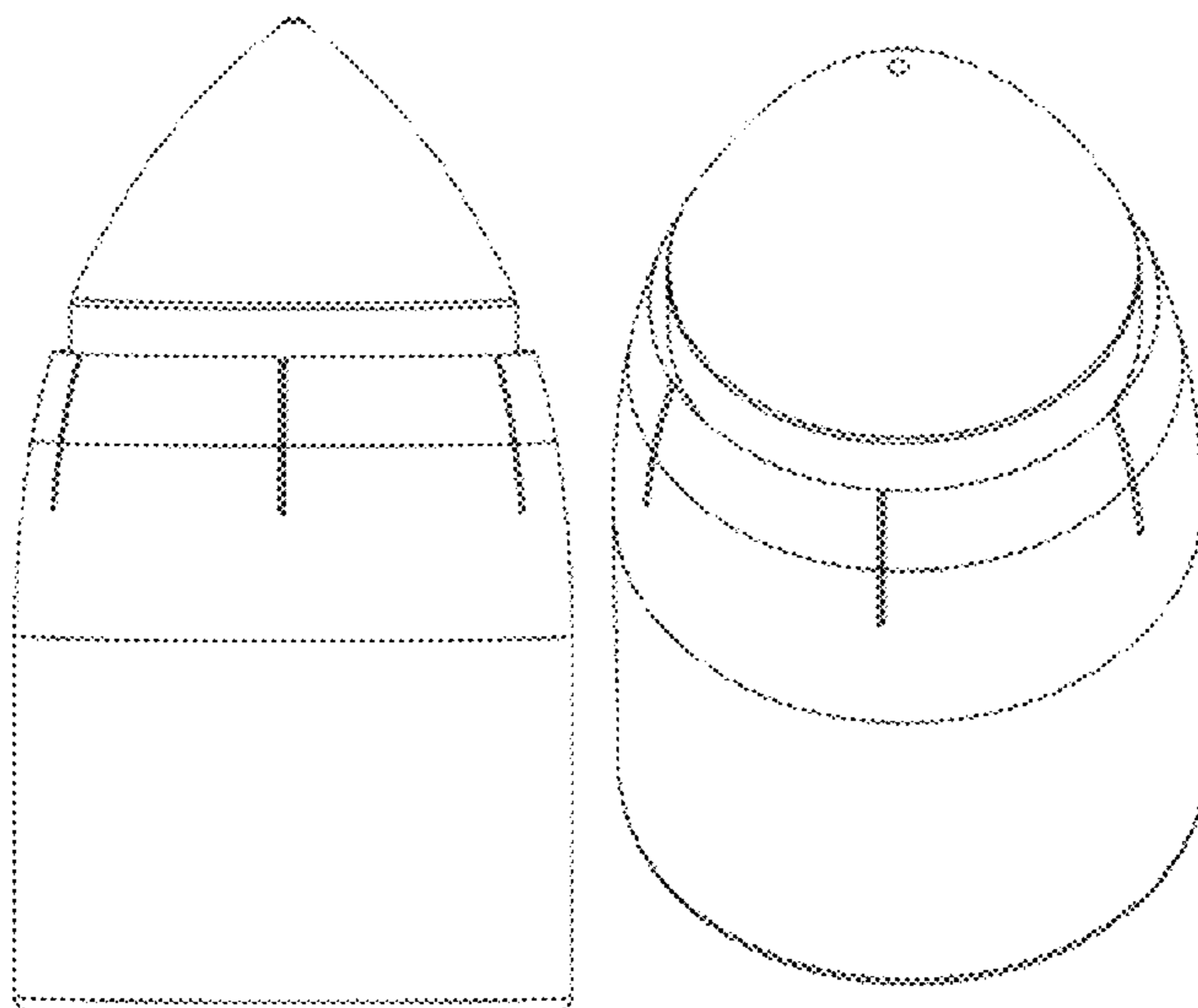
FIG. 1 is a front side view of an enhanced ball round according to an embodiment of the invention. The view from the rear side, right side and left side being identical thereto. FIG. 2 is a front side perspective view of the enhanced ball round of FIG. 1. The view from the opposite side being identical thereto.

FIG. 3 is a top view of the enhanced ball round of FIG. 1; and,

FIG. 4 is a cross sectional view of the enhanced ball round of FIG. 1 in order to illustrate clearly the exteriorly exposed shape of the forward portion. Only the exteriorly exposed surfaces are claimed. The internal features are not claimed. The circumferential lines in the drawing represent changes in contour radius and not surface ornamentation.

The bottom view is omitted and forms no part of the claimed design.

1 Claim, 1 Drawing Sheet



(56)

References Cited

U.S. PATENT DOCUMENTS

740,914 A 10/1903 Platz
 1,049,419 A 1/1913 Swett
 1,243,857 A 10/1917 Muenzenmaier
 1,709,414 A 4/1929 Stendebach
 1,967,416 A 4/1933 Leussler
 1,944,884 A * 1/1934 Gerlich F42B 12/34
 102/514
 2,345,619 A 4/1944 Moore
 2,792,618 A 5/1957 Walker
 2,958,287 A 11/1960 Auxier
 3,003,420 A 10/1961 Nosler
 3,069,748 A 12/1962 Nosler
 3,154,016 A 10/1964 Frey
 3,173,371 A 3/1965 Manshel
 3,230,886 A 1/1966 Woodring
 3,282,214 A 11/1966 Briscoe
 3,357,357 A 12/1967 Voss
 3,442,205 A 5/1969 Stadler et al.
 3,616,758 A 11/1971 Komarov
 3,680,485 A 8/1972 Zaid
 3,720,170 A 3/1973 Godfrey
 3,756,158 A 9/1973 Anderson
 3,776,136 A * 12/1973 Dix F42C 19/0823
 102/430
 3,939,773 A 2/1976 Jenkins et al.
 4,112,846 A 9/1978 Gilbert et al.
 4,128,059 A 12/1978 Black
 4,517,898 A 5/1985 Davis et al.
 4,619,203 A 10/1986 Habbe
 4,753,172 A 6/1988 Katzmann
 4,777,883 A * 10/1988 Chevich F42B 10/34
 102/503
 4,884,508 A 12/1989 Kruse et al.
 5,175,392 A 12/1992 Denis
 5,206,024 A 4/1993 Peery et al.
 5,388,524 A 2/1995 Strandli et al.
 5,454,325 A 10/1995 LeBlanc
 5,621,186 A * 4/1997 Carter F42B 12/34
 102/507
 5,794,320 A 8/1998 Wernz et al.
 6,085,661 A 7/2000 Halverson et al.
 6,305,293 B1 10/2001 Fry et al.
 6,439,125 B1 8/2002 Carter
 6,546,875 B2 4/2003 Vaughn et al.
 6,629,485 B2 10/2003 Vaughn et al.
 6,817,299 B1 11/2004 Cooke
 D500,952 S * 1/2005 Moore D9/504
 6,837,165 B2 1/2005 Eberhart et al.
 6,973,879 B1 12/2005 McElroy et al.
 7,150,233 B1 12/2006 Eberhart
 7,487,727 B2 * 2/2009 Eberhart F42B 12/74
 102/510

7,607,394 B2 10/2009 Cesaroni
 7,748,325 B2 7/2010 Marx
 7,874,253 B2 1/2011 Marx
 8,082,850 B2 12/2011 Marx
 8,267,015 B2 9/2012 Marx
 8,776,424 B2 * 7/2014 Mirabile F41A 21/16
 124/42
 8,857,343 B2 10/2014 Marx
 9,360,287 B2 * 6/2016 Emary F42B 12/02
 9,470,494 B2 10/2016 Marx
 2002/0178963 A1 12/2002 Halverson
 2007/0017409 A1 1/2007 Mansfield et al.
 2009/0293754 A1 12/2009 Riess et al.
 2016/0273896 A1 * 9/2016 Emary F42B 12/02

FOREIGN PATENT DOCUMENTS

DE	370908	3/1923
DE	583 097	8/1933
DE	2 223 212	11/1973
DE	25 35 704	2/1977
DE	36 38 721	5/1987
DE	38 02 002	8/1989
DE	40 24 543	2/1992
DE	197 11 344	9/1997
DE	10 2011 108 758	1/2013
EP	0225 532	6/1987
FR	1166011	11/1958
FR	1240110	9/1960
FR	2202275	5/1974
FR	2356906	1/1978
FR	2428229	1/1980
FR	2540239	8/1984
FR	2662789	12/1991
FR	2802296	6/2001
FR	2865272	7/2005
GB	6588	1/1897
GB	3921	11/1905
GB	9876	1/1908
GB	8301	4/1910
GB	115476	5/1918
RU	2003033	11/1993
WO	WO 97/20185	6/1997
WO	WO 01/18483	3/2001
WO	WO 01/20244	3/2001
WO	WO 02/086412	10/2002

OTHER PUBLICATIONS

“U.S. Army Places Huge Order for New M855A1 Ammo” downloaded from the internet at <http://bulletin accurateshooter.com/tag/m855a1/> (Oct. 26, 2010).

* cited by examiner

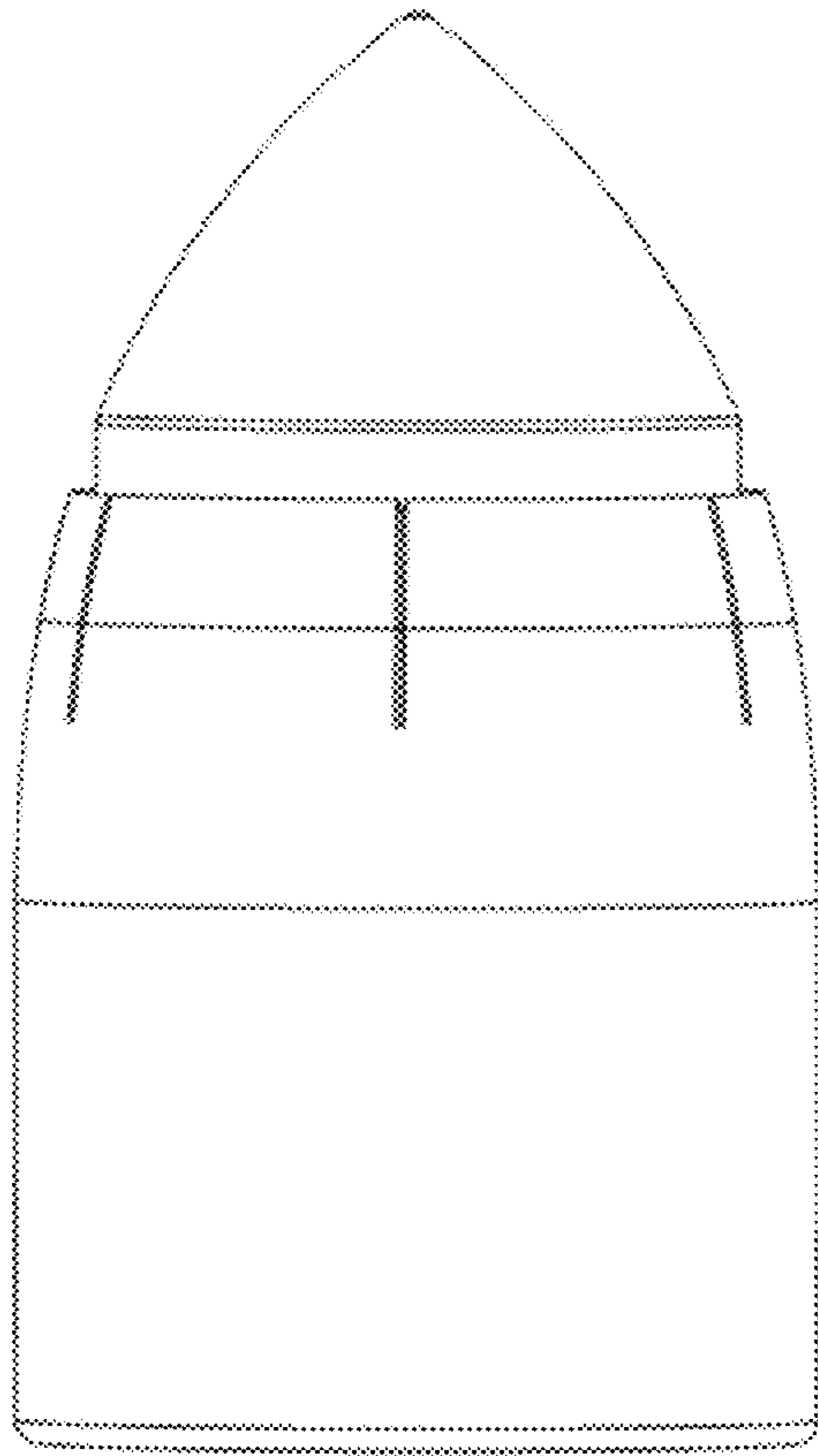


FIG. 1

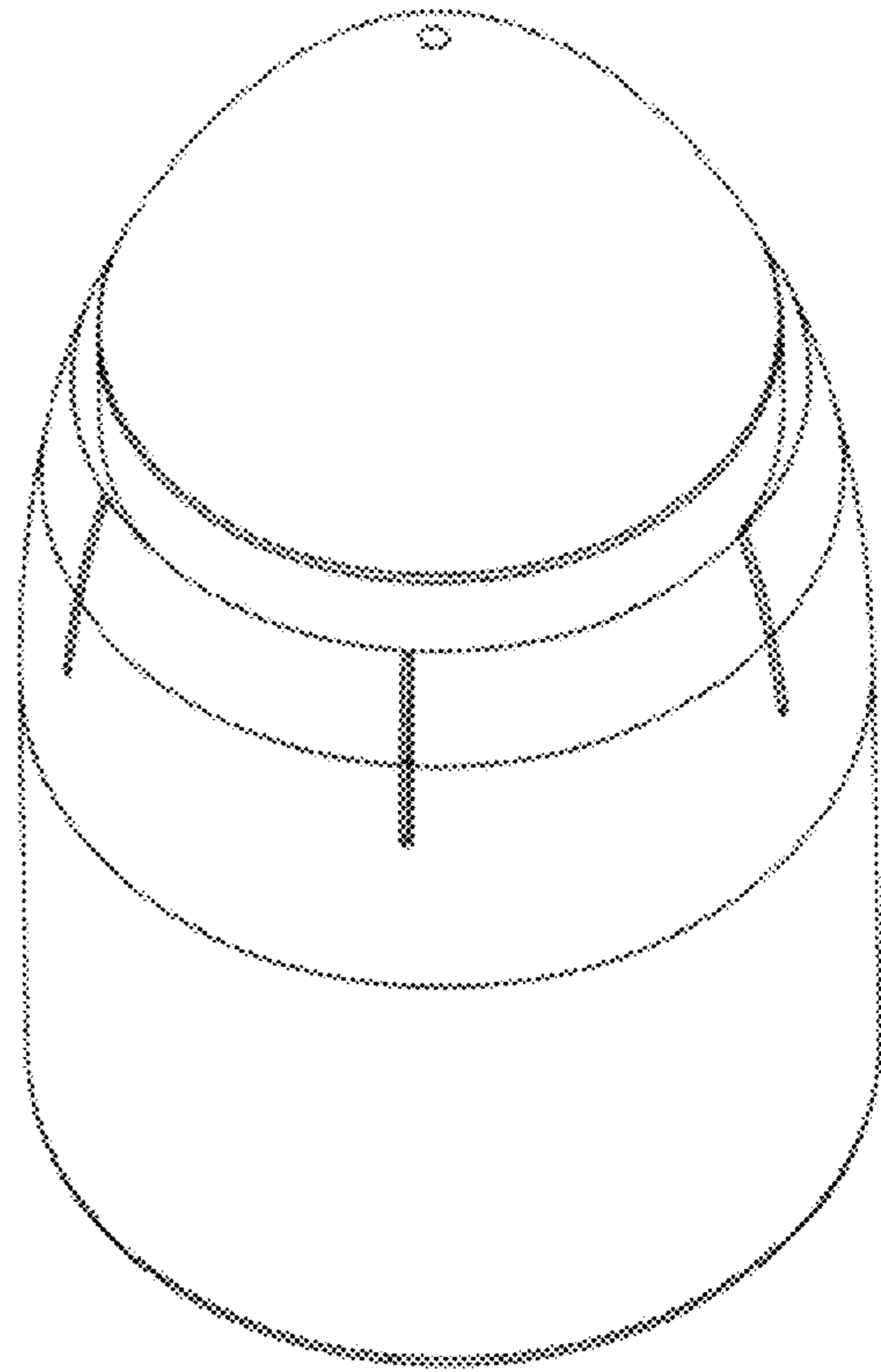


FIG. 2

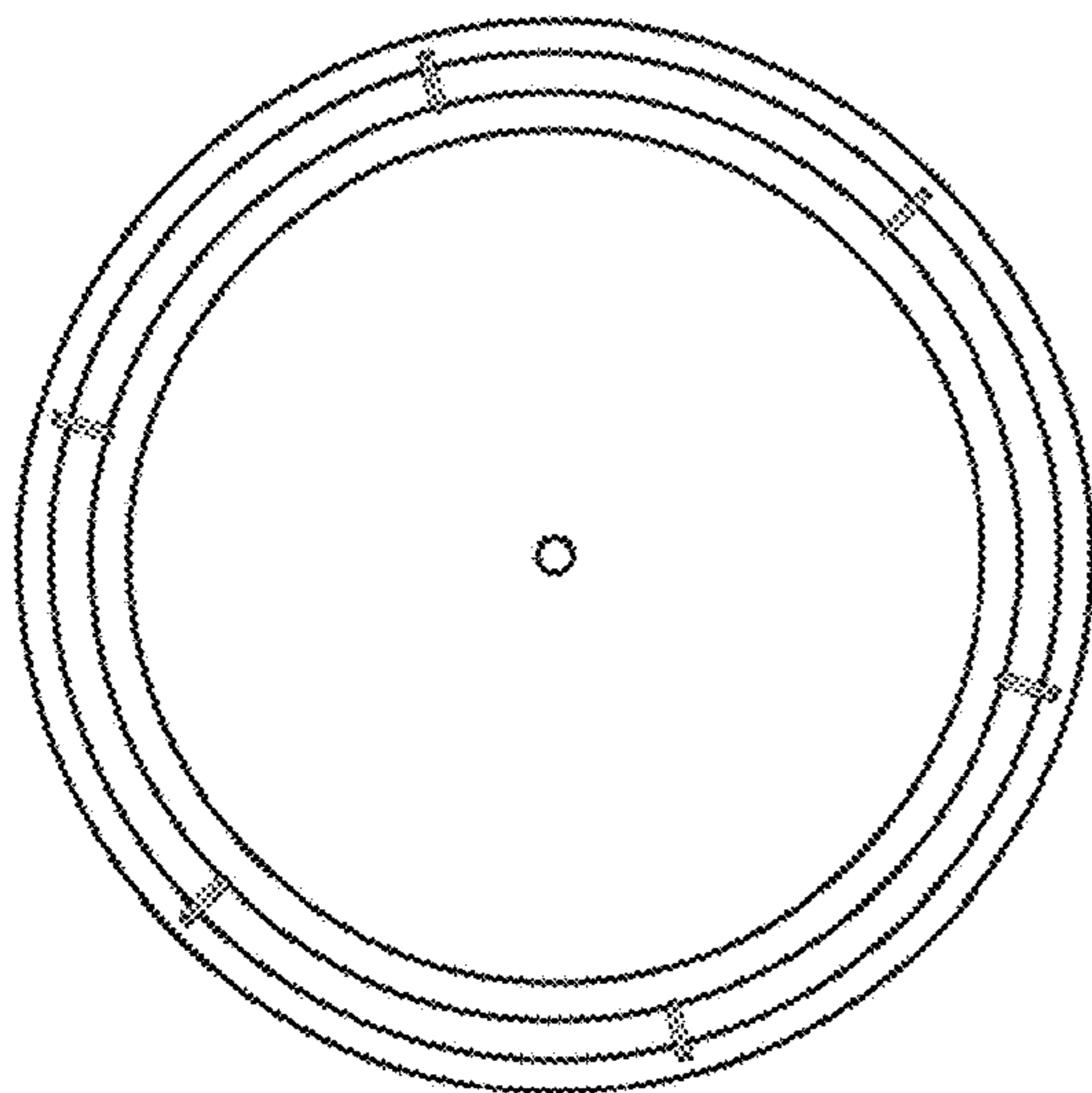


FIG. 3

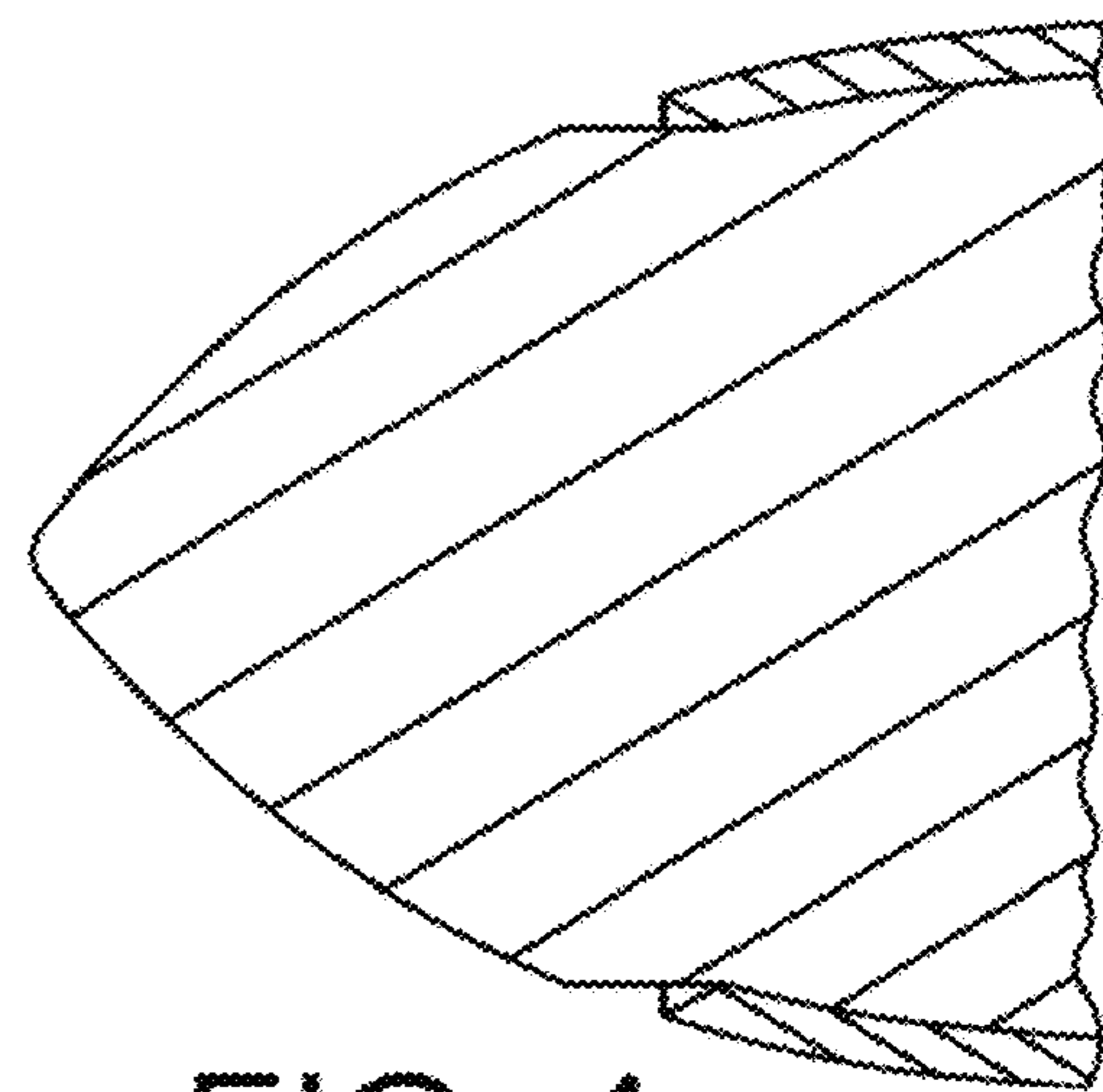


FIG. 4