



US00D884818S

(12) **United States Design Patent** (10) **Patent No.:** **US D884,818 S**  
**Hayes** (45) **Date of Patent:** **\*\* May 19, 2020**

(54) **ARCHERY BOW STABILIZER**  
(71) Applicant: **MCP IP, LLC**, Sparta, WI (US)  
(72) Inventor: **Mark J. Hayes**, Sparta, WI (US)  
(73) Assignee: **MCP IP, LLC**, Sparta, WI (US)  
(\*\*) Term: **15 Years**

(21) Appl. No.: **29/662,768**

(22) Filed: **Sep. 7, 2018**

(51) **LOC (12) Cl.** ..... **22-01**

(52) **U.S. Cl.**  
USPC ..... **D22/107**

(58) **Field of Classification Search**

USPC ..... D22/107

CPC ..... F41B 5/1426; F41B 5/10; F41B 5/1407

See application file for complete search history.

(56) **References Cited**

**U.S. PATENT DOCUMENTS**

3,670,712	A *	6/1972	Izuta	.....	F41B 5/1426
					124/89
5,273,022	A	12/1993	Leven		
6,718,964	B1	4/2004	Graf		
6,802,307	B2	10/2004	Leven		
7,318,430	B2	1/2008	Leven		
8,166,963	B2	5/2012	Leven		
8,418,683	B2	4/2013	Leven		
D682,969	S *	5/2013	Khoshnood	.....	D22/107
D682,970	S *	5/2013	Khoshnood	.....	D22/107
D682,971	S	5/2013	Khoshnood et al.		

D691,232	S	10/2013	Khoshnood et al.		
8,573,193	B2	11/2013	Khoshnood		
8,590,522	B2	11/2013	Khoshnood et al.		
8,833,356	B2	9/2014	Khoshnood		
9,016,268	B2	4/2015	Leven		
9,038,617	B1	5/2015	Khoshnood et al.		
D735,830	S	8/2015	Khoshnood		
9,383,158	B1	7/2016	Khoshnood		
D775,705	S	1/2017	Khoshnood et al.		
9,829,269	B2 *	11/2017	McPherson	.....	F41B 5/10
D863,480	S *	10/2019	Miao	.....	D21/753
2013/0118468	A1	5/2013	Kozlik et al.		
2019/0323258	A1 *	10/2019	Ma	.....	A45B 25/02

\* cited by examiner

*Primary Examiner* — Michael A. Pratt

(57) **CLAIM**

The ornamental design for an archery bow stabilizer, as shown and described.

**DESCRIPTION**

FIG. 1 is an angled isometric view of the archery bow stabilizer.

FIG. 2 is a front view of the archery bow stabilizer.

FIG. 3 is a back view of the archery bow stabilizer.

FIG. 4 is a left side view of the archery bow stabilizer.

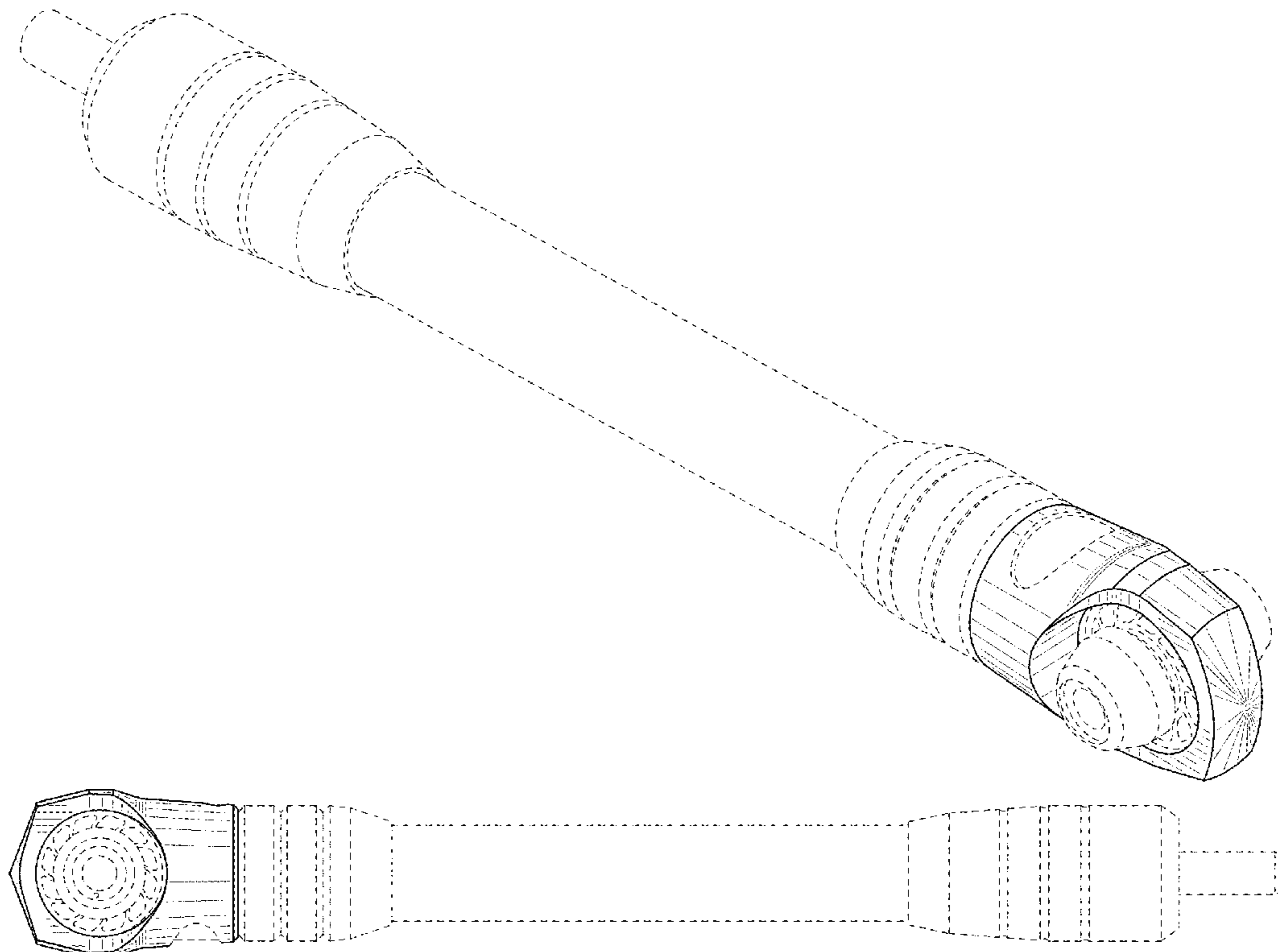
FIG. 5 is a right side view of the archery bow stabilizer.

FIG. 6 is a bottom view of the archery bow stabilizer; and,

FIG. 7 is a top view of the archery bow stabilizer.

The broken lines in the Figures show unclaimed portions and are for illustrative purposes only. The broken lines form no portion of the claimed design.

**1 Claim, 4 Drawing Sheets**



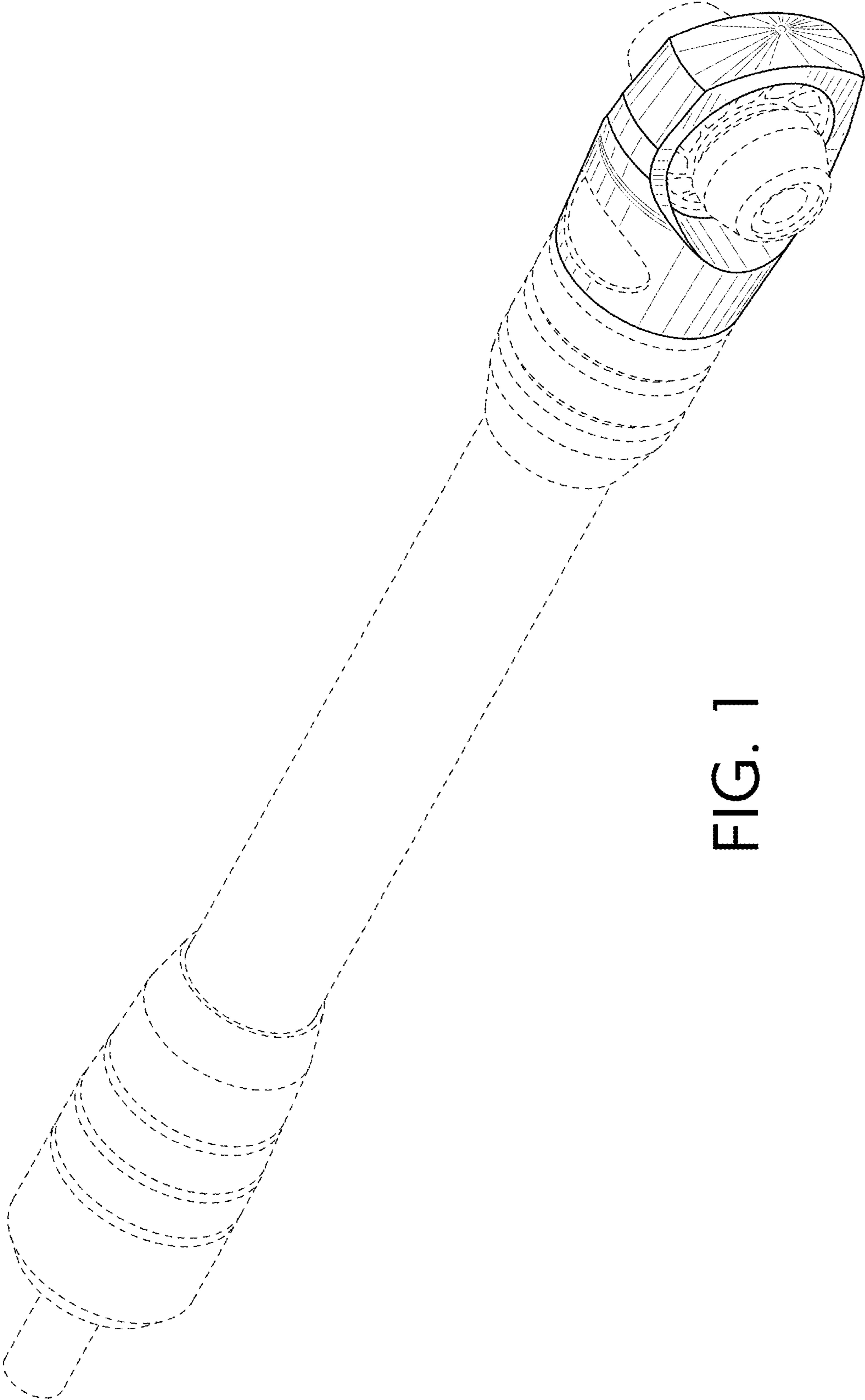


FIG. 1

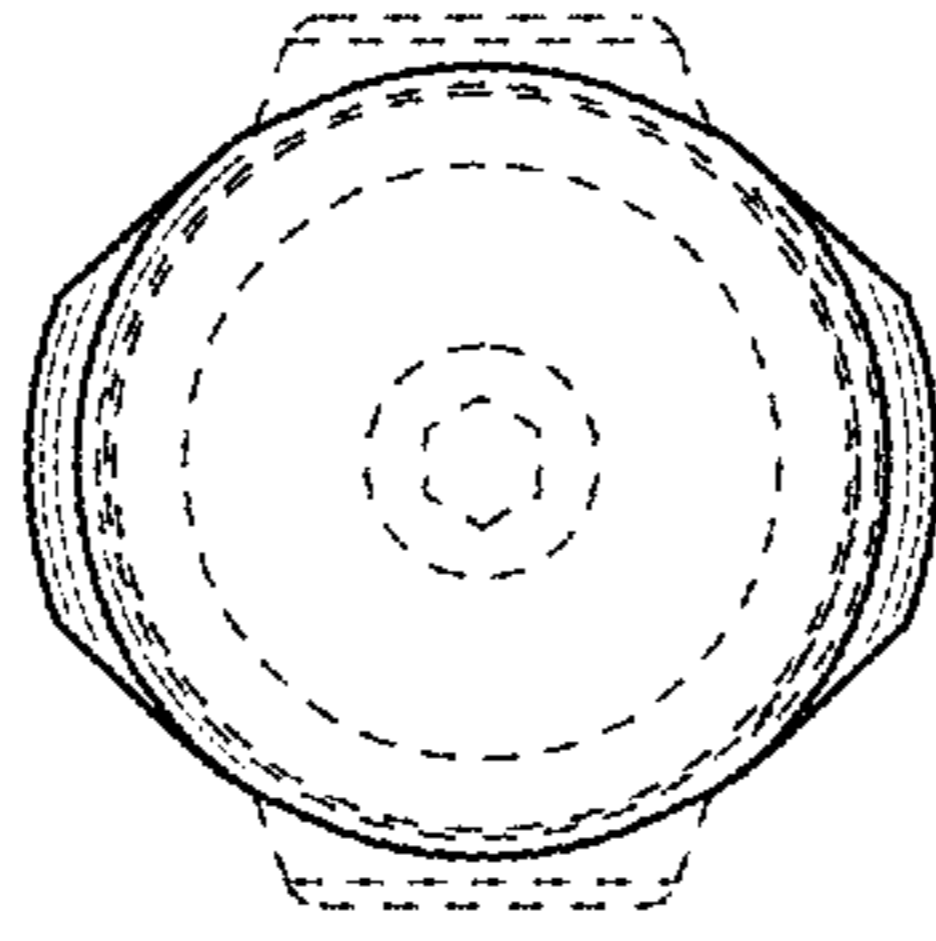


FIG. 3

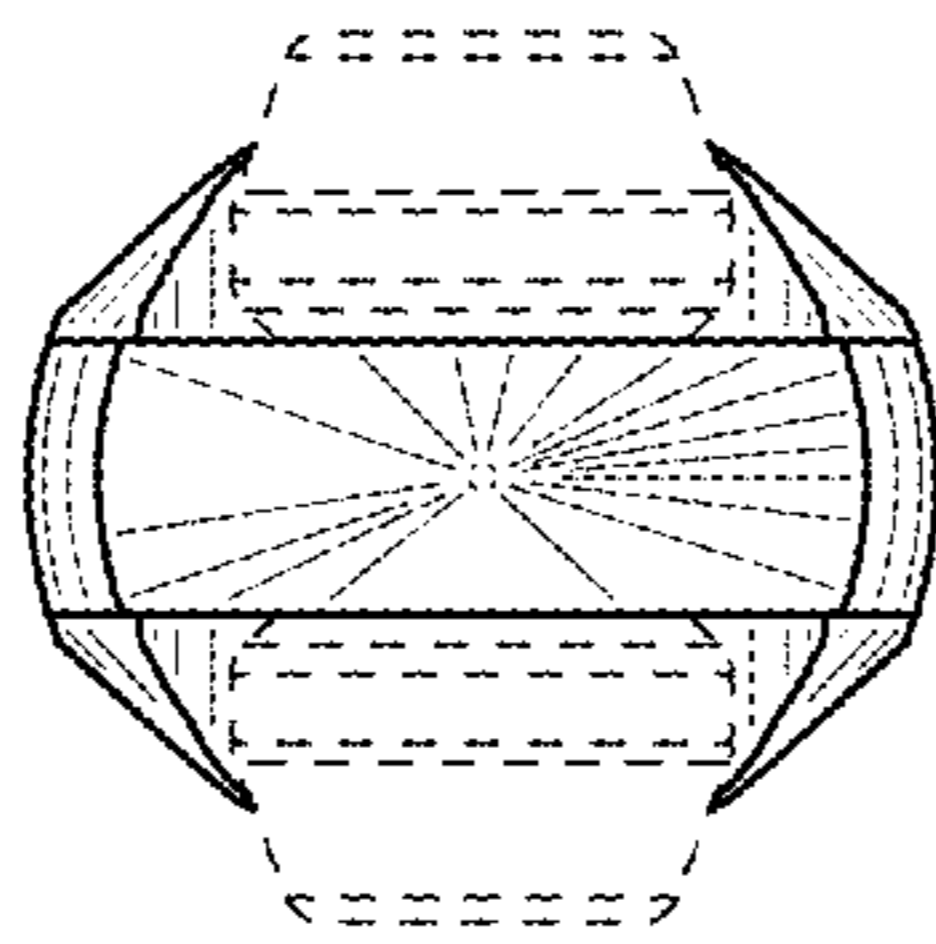


FIG. 2

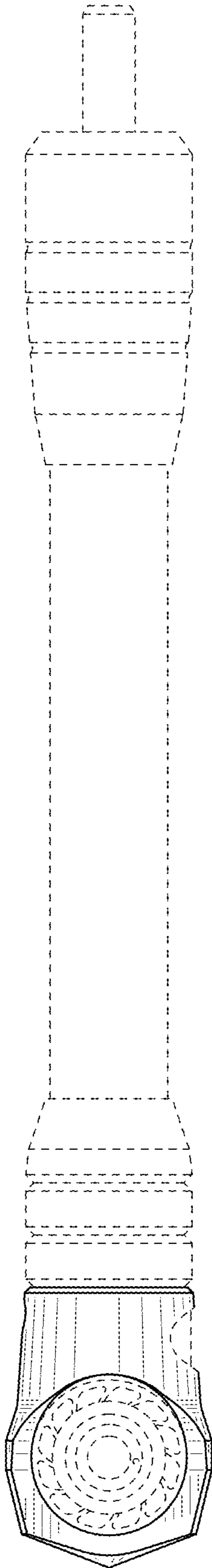


FIG. 4

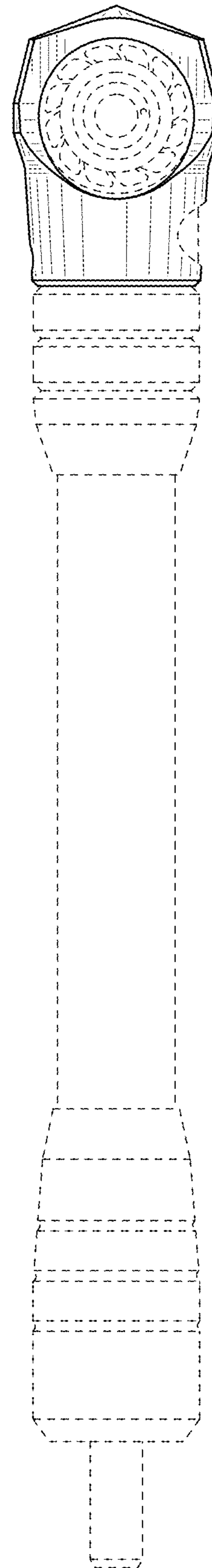


FIG. 5

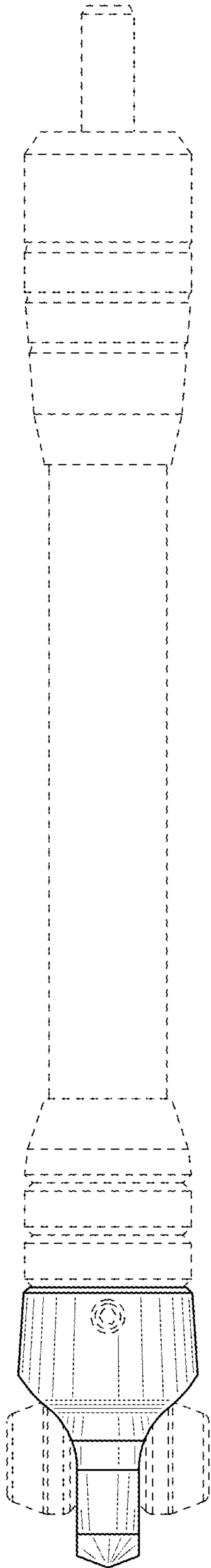


FIG. 6

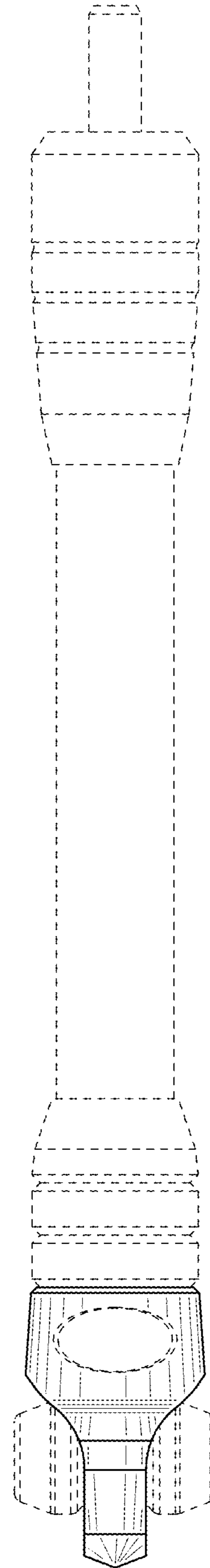


FIG. 7