



US00D884816S

(12) **United States Design Patent**
Goldberg

(10) **Patent No.:** **US D884,816 S**

(45) **Date of Patent:** **** May 19, 2020**

(54) **STAKELESS SUN SHADE CORNER AND WEIGHTED BAG FOR SAME**

(71) Applicant: **Neso LLC**, Encinitas, CA (US)

(72) Inventor: **Matthew Lee Goldberg**, Encinitas, CA (US)

(73) Assignee: **NESO, LLC**, Encinitas, CA (US)

(**) Term: **15 Years**

(21) Appl. No.: **29/595,996**

(22) Filed: **Mar. 3, 2017**

(51) **LOC (12) Cl.** **21-04**

(52) **U.S. Cl.**
USPC **D21/840**

(58) **Field of Classification Search**
USPC D21/834, 835, 836, 837, 838, 839, 840
CPC E04H 15/00; E04H 15/02; E04H 15/18;
E04H 15/28; E04H 15/32; E04H 15/34;
E04H 15/40; E04H 15/42; E04H 15/425;
E04H 15/50

See application file for complete search history.

(56) **References Cited**

U.S. PATENT DOCUMENTS

D435,883 S *	1/2001	Laosunthara	D21/834
6,684,429 B1 *	2/2004	Deering	A47C 7/383
				5/636
8,783,274 B1 *	7/2014	Supino	A47G 25/12
				135/118
D829,839 S *	10/2018	Crimi	D21/834

(Continued)

OTHER PUBLICATIONS

https://www.amazon.co.uk/Lovebay-Beach-Tent-Sandbag-Anchors/dp/B071LGTMKZ/ref=cts_sp_2_vtp (Date first available: May 16, 2017) (Year: 2017).*

Primary Examiner — Manpreet S Matharu
Assistant Examiner — Keith J Wilson
(74) *Attorney, Agent, or Firm* — Michael D. Eisenberg

(57) **CLAIM**

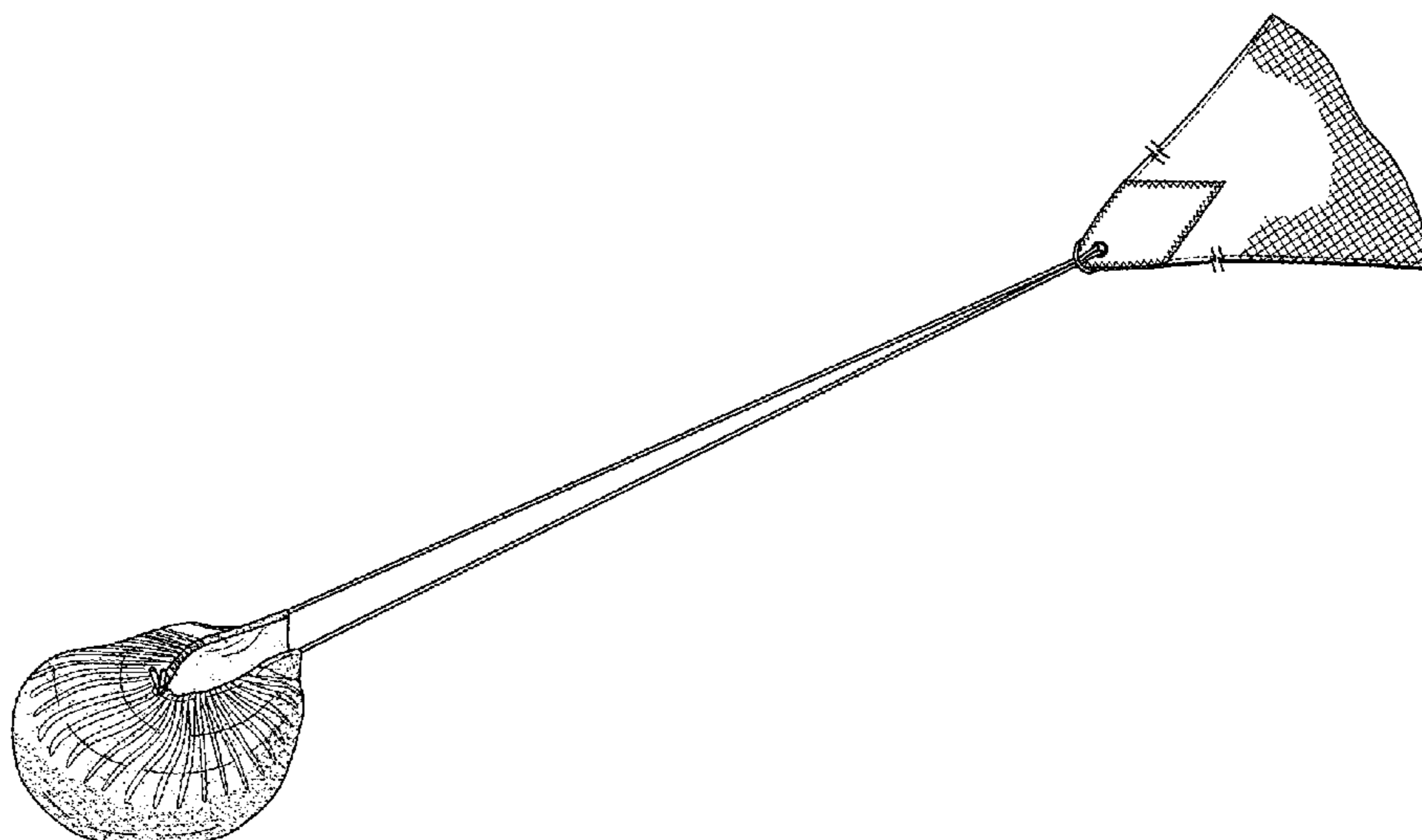
The ornamental design for a stakeless sun shade corner and weighted bag for same, as shown and described.

DESCRIPTION

FIG. 1 is a perspective view of a stakeless sun shade corner and weighted bag for same showing my new design with a portion broken away to show indeterminate length;
 FIG. 2 is a front view of the stakeless sun shade corner and weighted bag for same with a portion broken away to show indeterminate length;
 FIG. 3 is a rear view of the stakeless sun shade corner and weighted bag for same with a portion broken away to show indeterminate length;
 FIG. 4 is a right side view of the stakeless sun shade corner and weighted bag for same with a portion broken away to show indeterminate length;
 FIG. 5 is a left view of the stakeless sun shade corner and weighted bag for same with a portion broken away to show indeterminate length;
 FIG. 6 is a top view of the stakeless sun shade corner and weighted bag for same with a portion broken away to show indeterminate length;
 FIG. 7 is a bottom view of the stakeless sun shade corner and weighted bag for same with a portion broken away to show indeterminate length;
 FIG. 8 is a close-up of the top view of the stakeless sun shade corner of FIG. 6 with a portion broken away to show indeterminate length;
 FIG. 9 is a perspective view of the bag shown in FIGS. 1-7, with the bag being empty; and,
 FIG. 10 is a left side view of the bag shown in FIGS. 1-7, with the bag being empty.

The broken lines showing stitching are included for the purpose of illustrating portions of the article and forms no part of the claimed design.

1 Claim, 4 Drawing Sheets



(56)

References Cited

U.S. PATENT DOCUMENTS

2012/0291830 A1* 11/2012 Crimi E04H 15/58
135/117
2017/0112300 A1* 4/2017 Paulat A47G 9/062
2017/0152673 A1* 6/2017 Fraser E04H 15/48

* cited by examiner

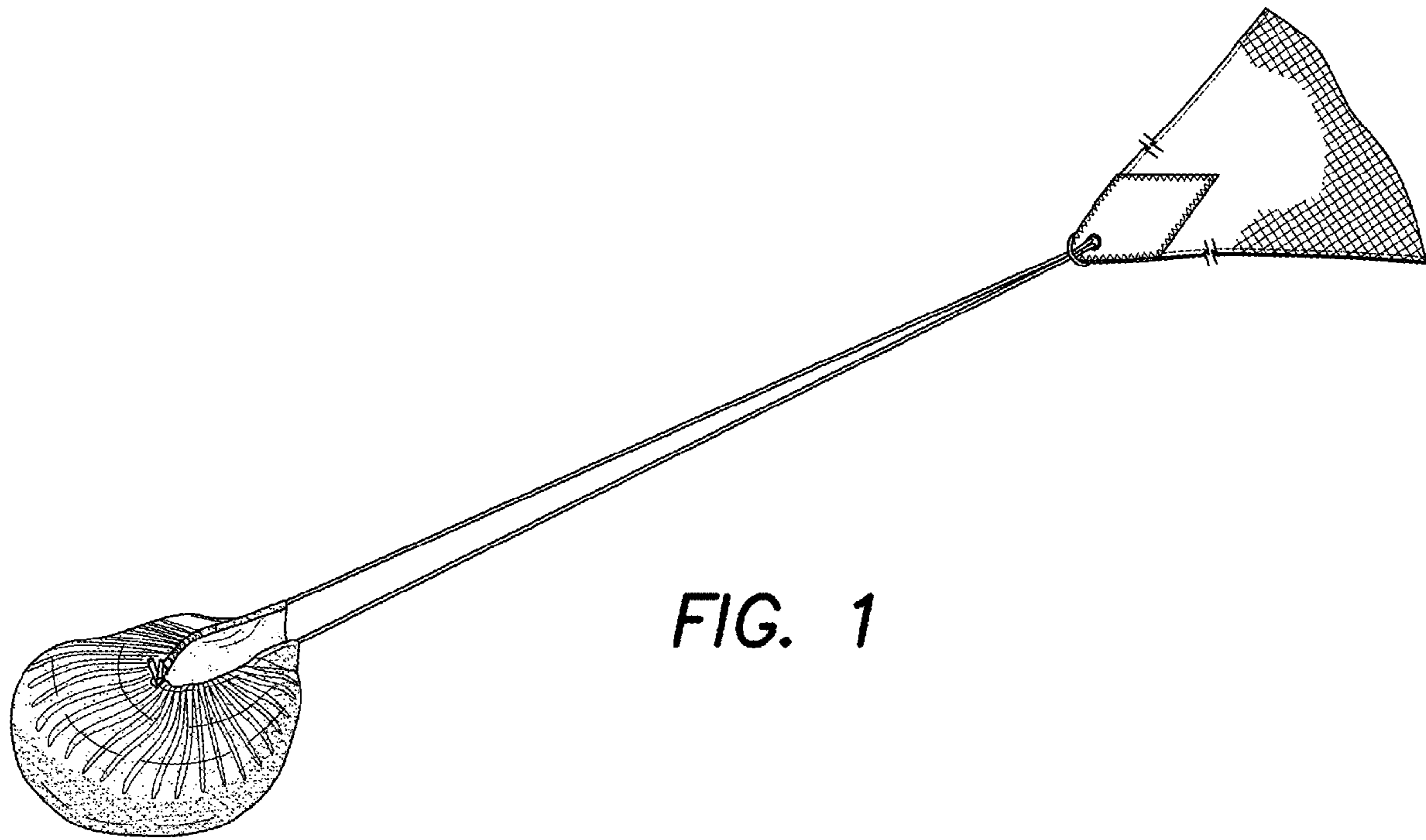


FIG. 1

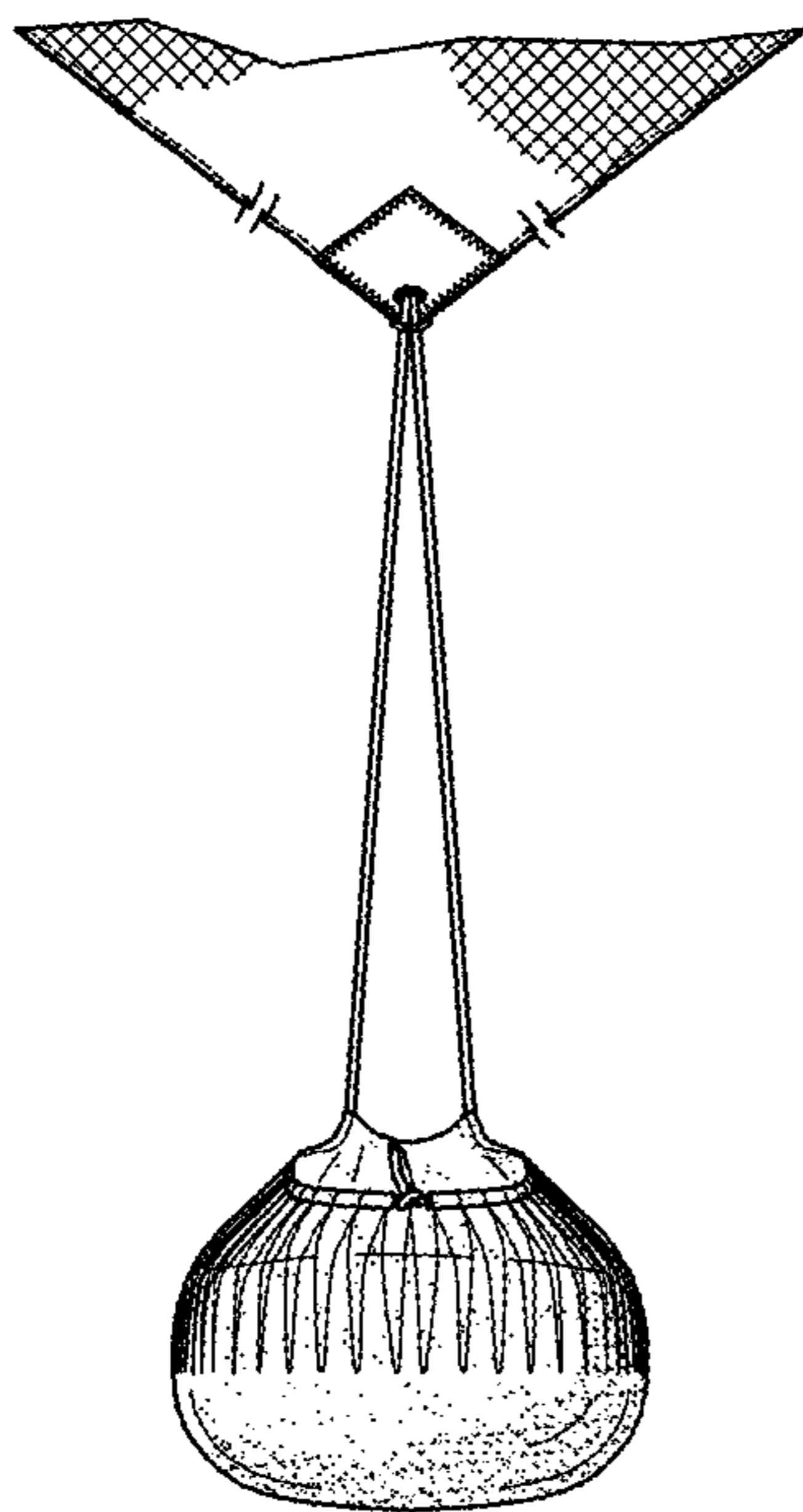


FIG. 2

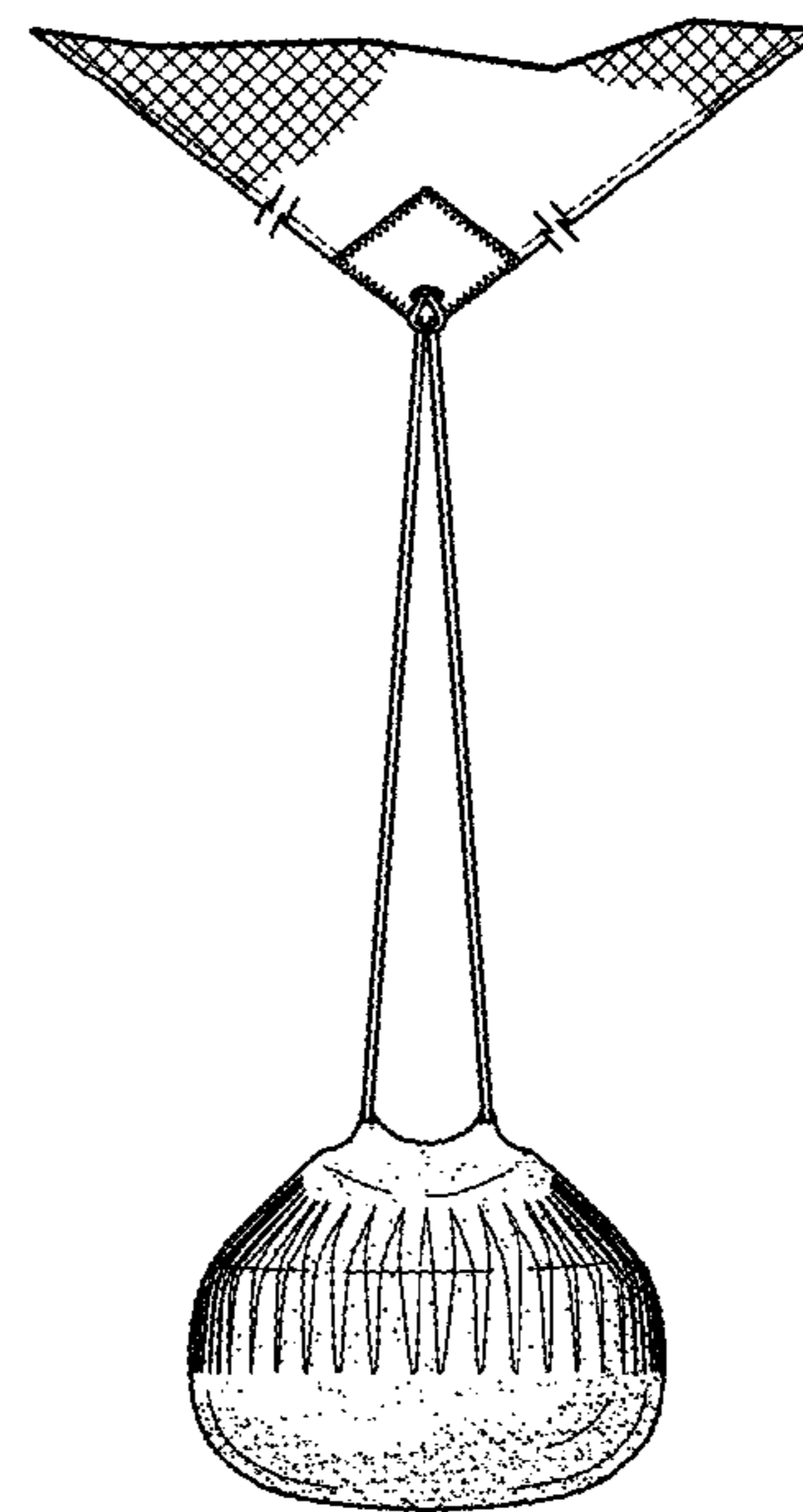


FIG. 3

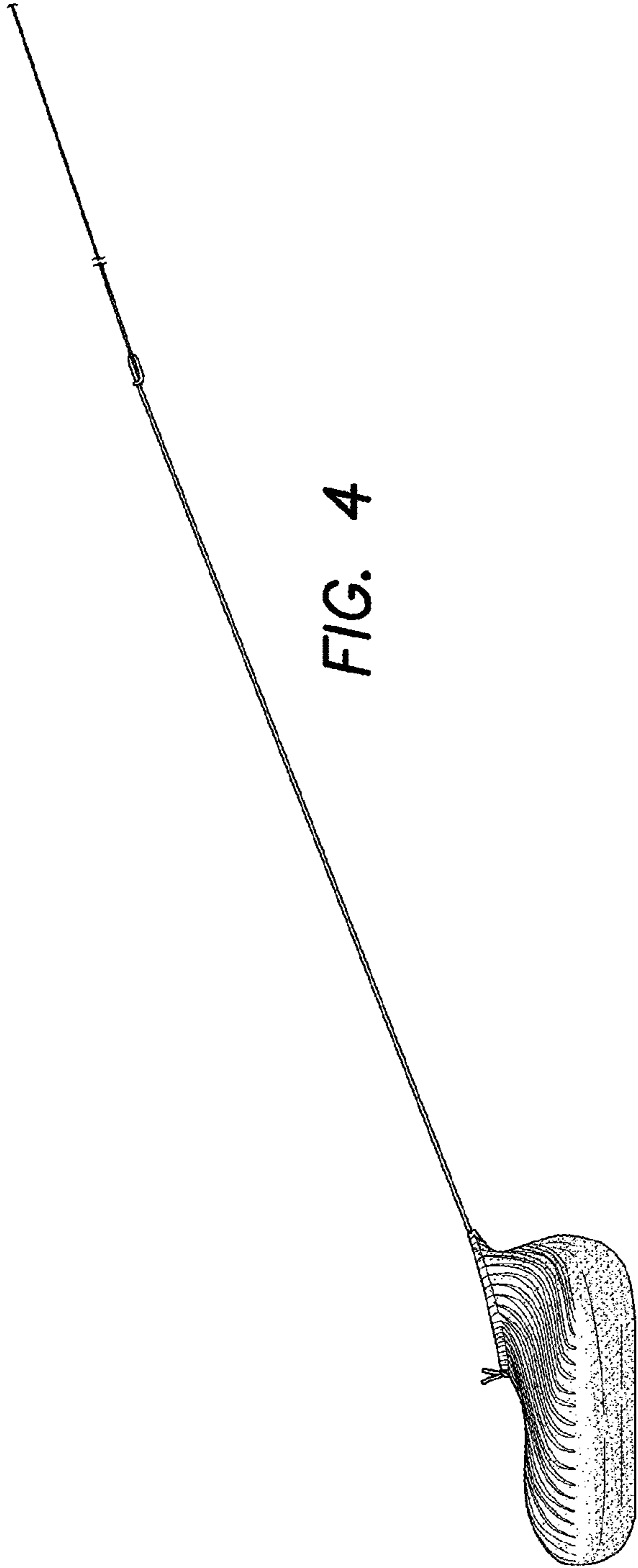


FIG. 4

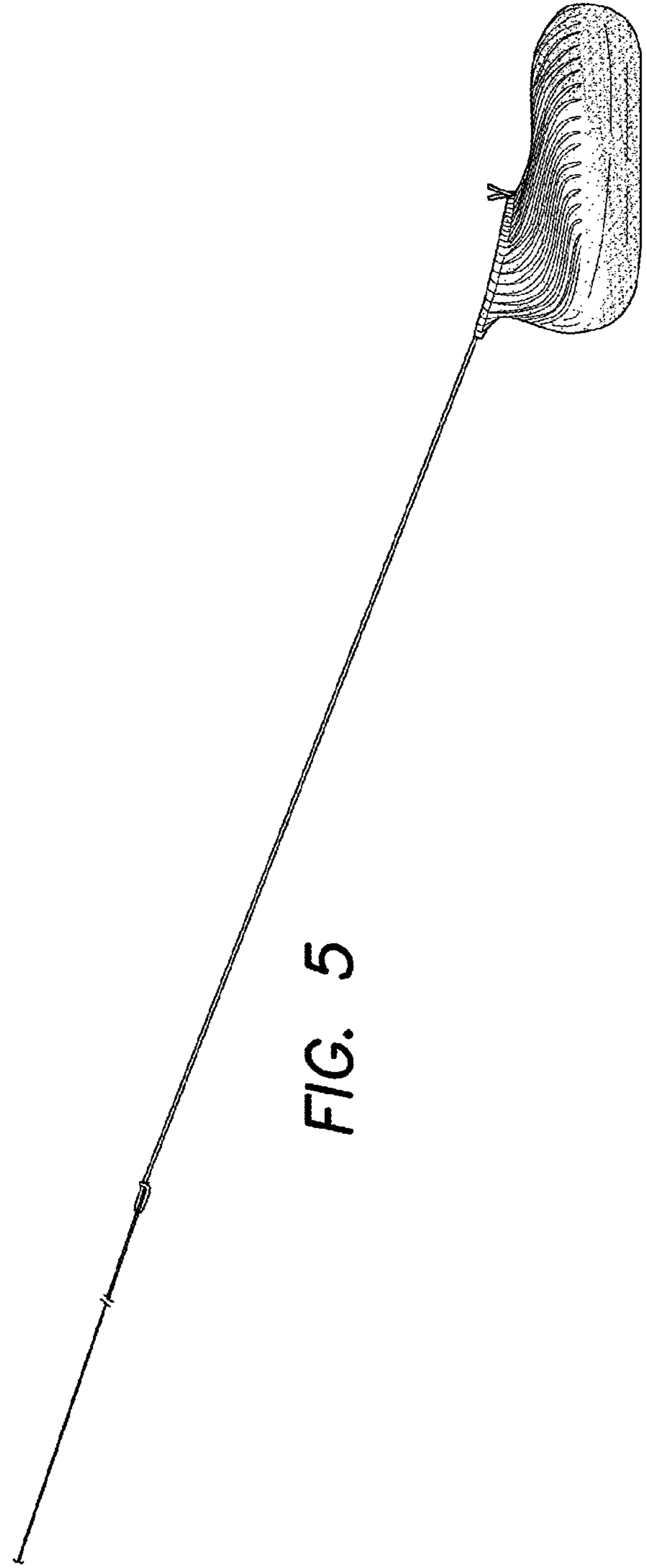


FIG. 5

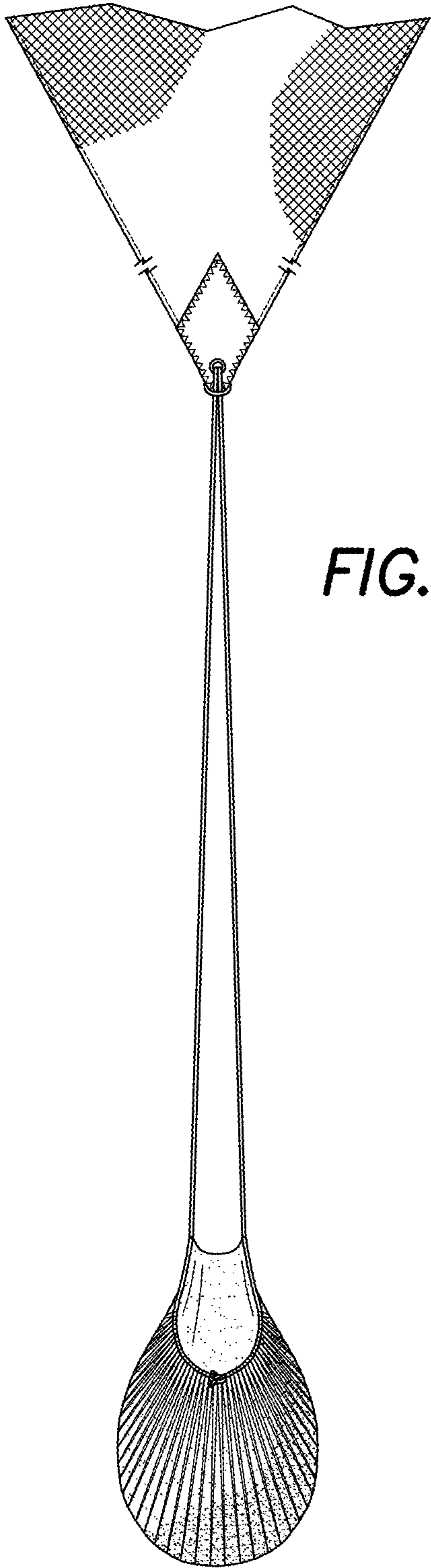


FIG. 6

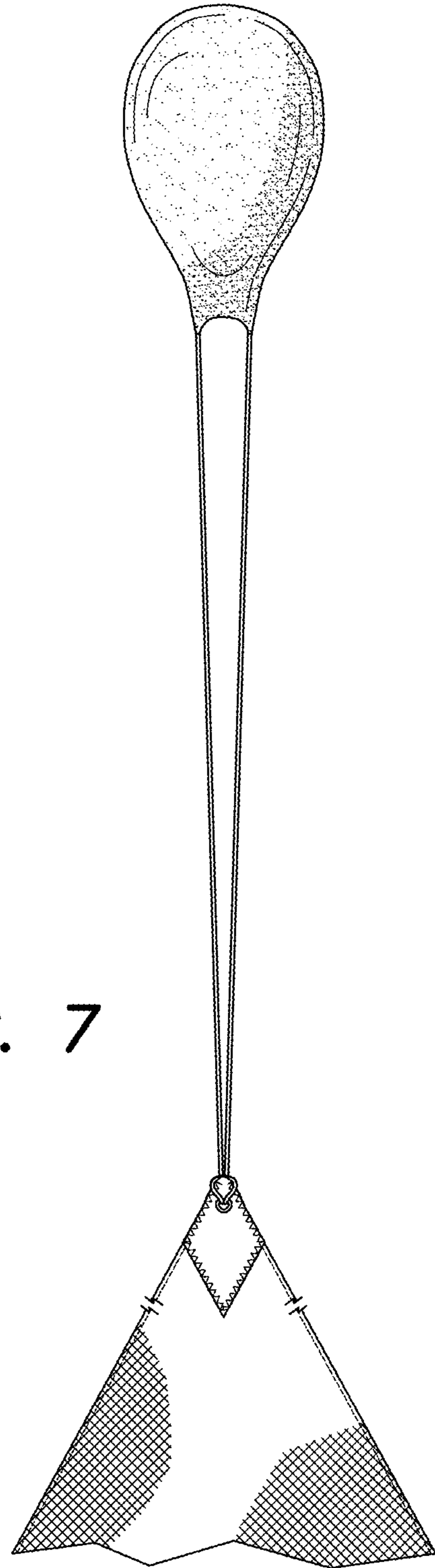


FIG. 7

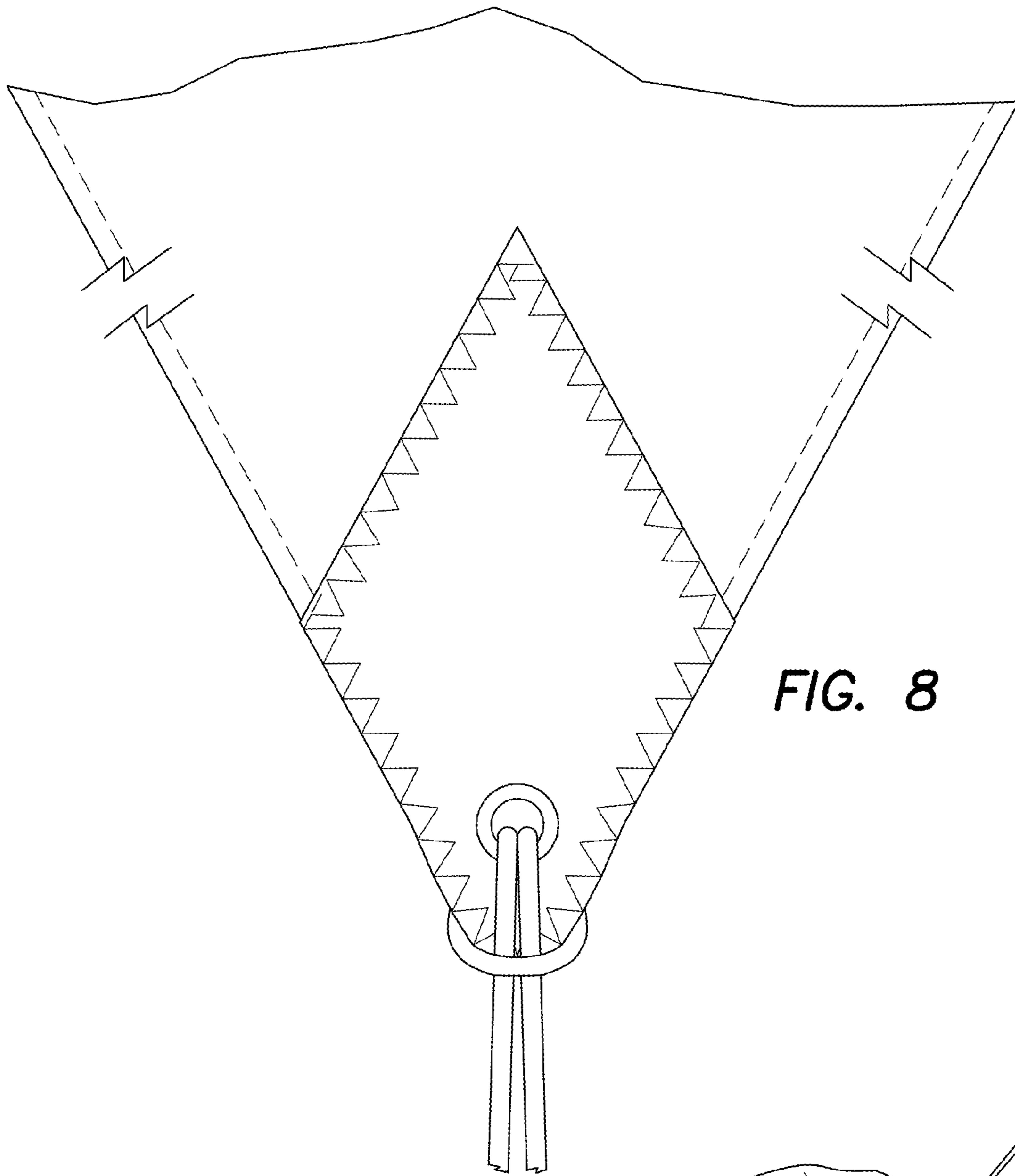


FIG. 8

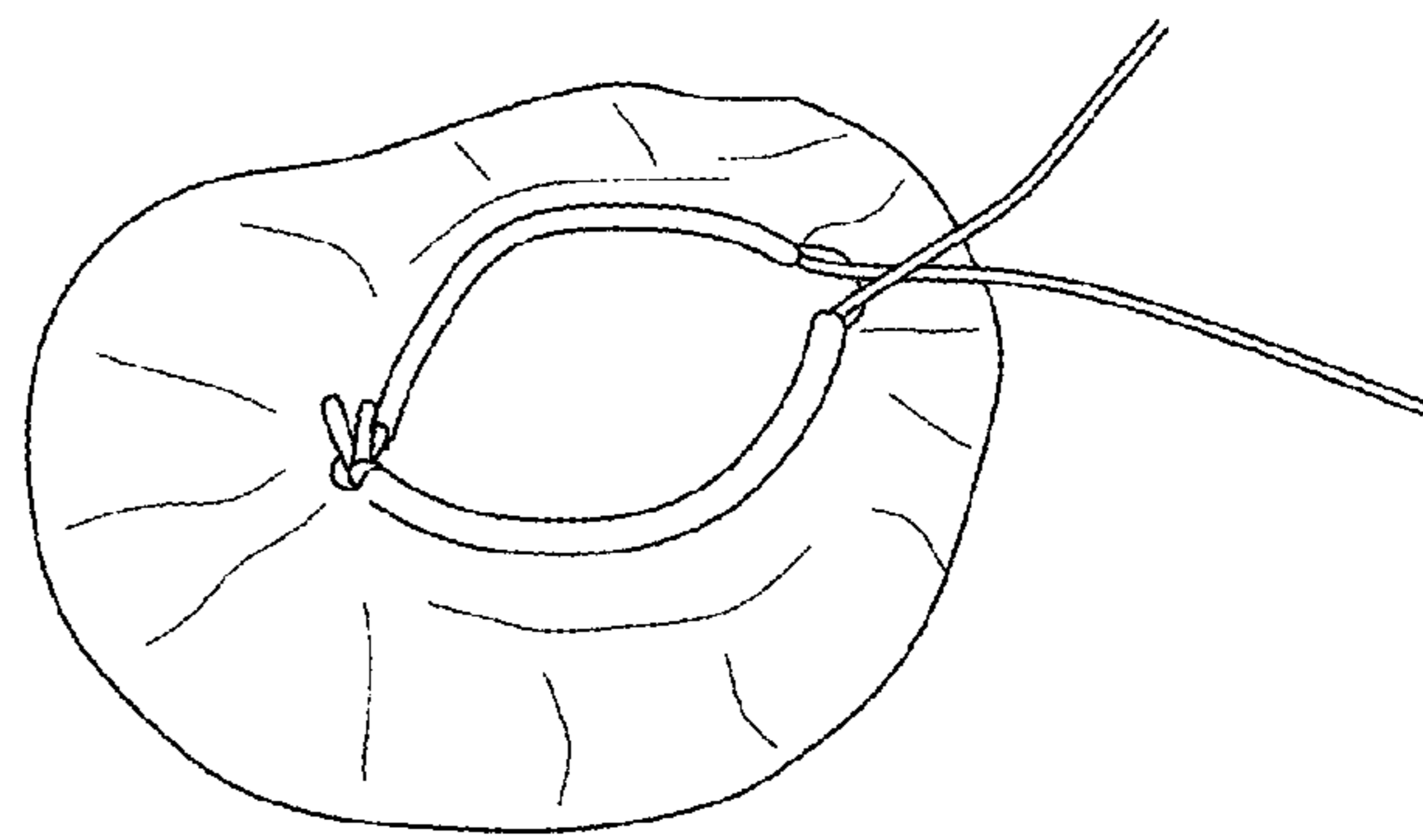


FIG. 9



FIG. 10