



US00D884811S

(12) **United States Design Patent**
Lah

(10) **Patent No.:** **US D884,811 S**

(45) **Date of Patent:** **** May 19, 2020**

(54) **TENT FRAME**

(71) Applicant: **DONGAH ALUMINUM CORPORATION**, Incheon (KR)

(72) Inventor: **Jeh-Kun Lah**, Seoul (KR)

(**) Term: **15 Years**

(21) Appl. No.: **35/506,552**

(22) Filed: **Nov. 27, 2018**

(80) **Hague Agreement Data**
 Int. Filing Date: **Nov. 27, 2018**
 Int. Reg. No.: **DM/200523**
 Int. Reg. Date: **Nov. 27, 2018**
 Int. Reg. Pub. Date: **Apr. 12, 2019**

(51) **LOC (12) Cl.** **21-04**

(52) **U.S. Cl.**
 USPC **D21/834**; D21/839
 CPC **E04H 15/18** (2013.01)

(58) **Field of Classification Search**
 USPC D21/834, 835, 836, 837, 838, 839, 840;
 135/121, 125-136, 143-146
 CPC E04H 15/00; E04H 15/02; E04H 15/18;
 E04H 15/28; E04H 15/32; E04H 15/34;
 E04H 15/40; E04H 15/42; E04H 15/425;
 E04H 15/50
 See application file for complete search history.

(56) **References Cited**

U.S. PATENT DOCUMENTS

3,888,056 A * 6/1975 Kelly E04B 1/32
 52/109
 4,128,104 A * 12/1978 Corey E04H 15/40
 135/117
 4,286,612 A * 9/1981 Neal A01K 1/033
 135/115
 4,630,627 A * 12/1986 Windows E04B 1/3441
 135/116

4,641,676 A * 2/1987 Lynch E04H 15/50
 135/115
 4,793,371 A * 12/1988 O'Ferrell E04H 15/44
 135/118
 4,944,321 A * 7/1990 Moyet-Ortiz B60J 11/00
 135/148
 4,998,552 A * 3/1991 Niksic E04B 1/3441
 135/136
 D323,370 S * 1/1992 Bryant D21/834
 5,224,507 A * 7/1993 Vosse E04H 15/58
 135/115
 5,275,188 A * 1/1994 Tsai E04H 15/50
 135/145
 5,361,794 A * 11/1994 Brady E04H 15/48
 135/147
 5,421,356 A * 6/1995 Lynch E04H 15/50
 135/145
 5,794,640 A * 8/1998 Jang E04H 15/50
 135/131
 5,813,425 A * 9/1998 Carter E04H 15/50
 135/145
 5,944,040 A * 8/1999 Jang E04H 15/50
 135/126
 6,145,527 A * 11/2000 Gillis E04H 15/425
 135/124
 6,182,917 B1 * 2/2001 Lai A45B 25/14
 135/20.3

(Continued)

Primary Examiner — Richard E Chilcot

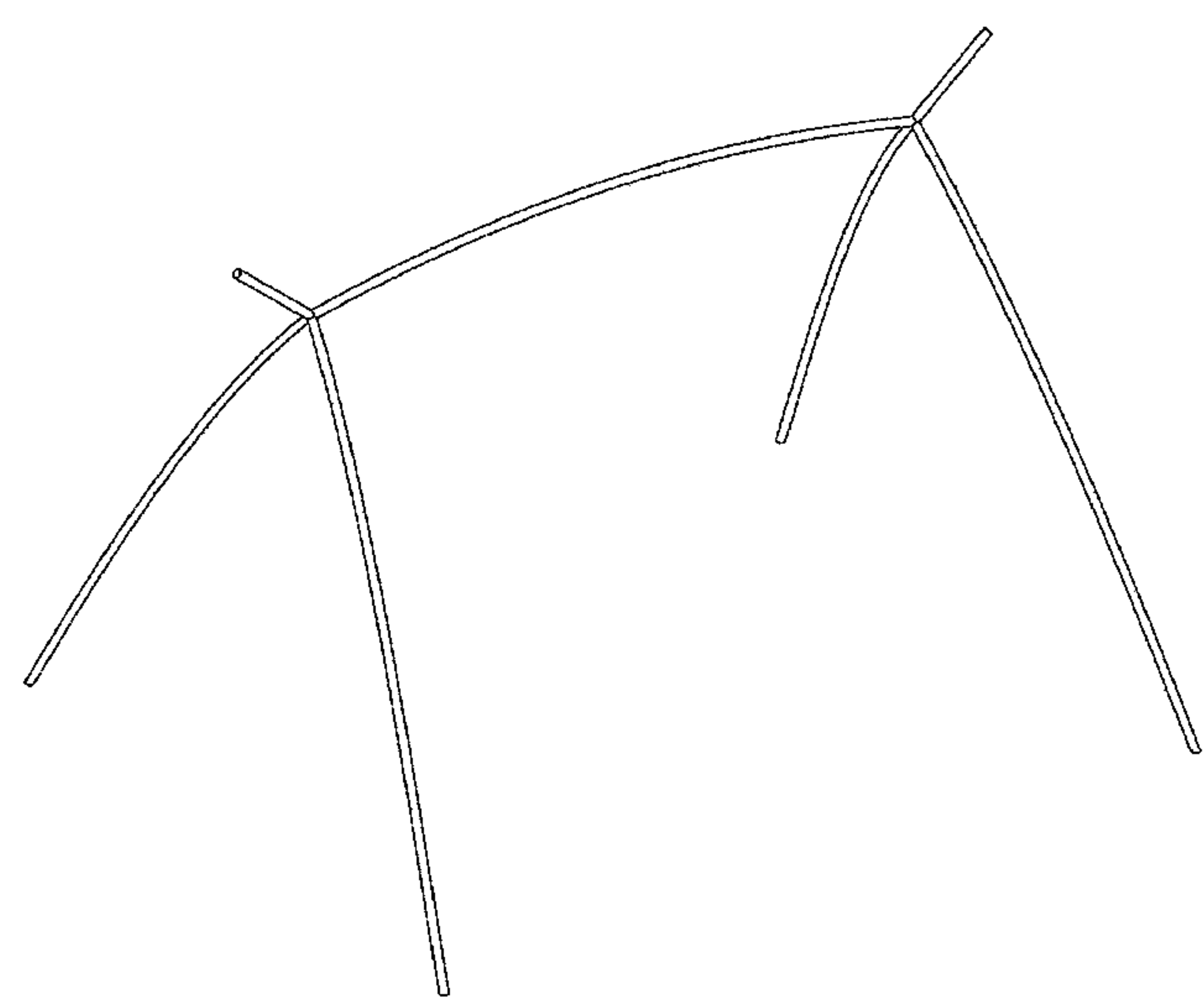
(57) **CLAIM**

The ornamental design for a tent frame, as shown and described.

DESCRIPTION

1. Tent frame
 FIG. 1.1 is a perspective view of new design for a tent frame as shown in the drawings;
 FIG. 1.2 is a left side view thereof;
 FIG. 1.3 is a right side view thereof;
 FIG. 1.4 is a top plan view thereof;
 FIG. 1.5 is a bottom plan view;
 FIG. 1.6 is a front elevation view thereof; and,
 FIG. 1.7 is a rear elevation view thereof.

1 Claim, 7 Drawing Sheets



(56)

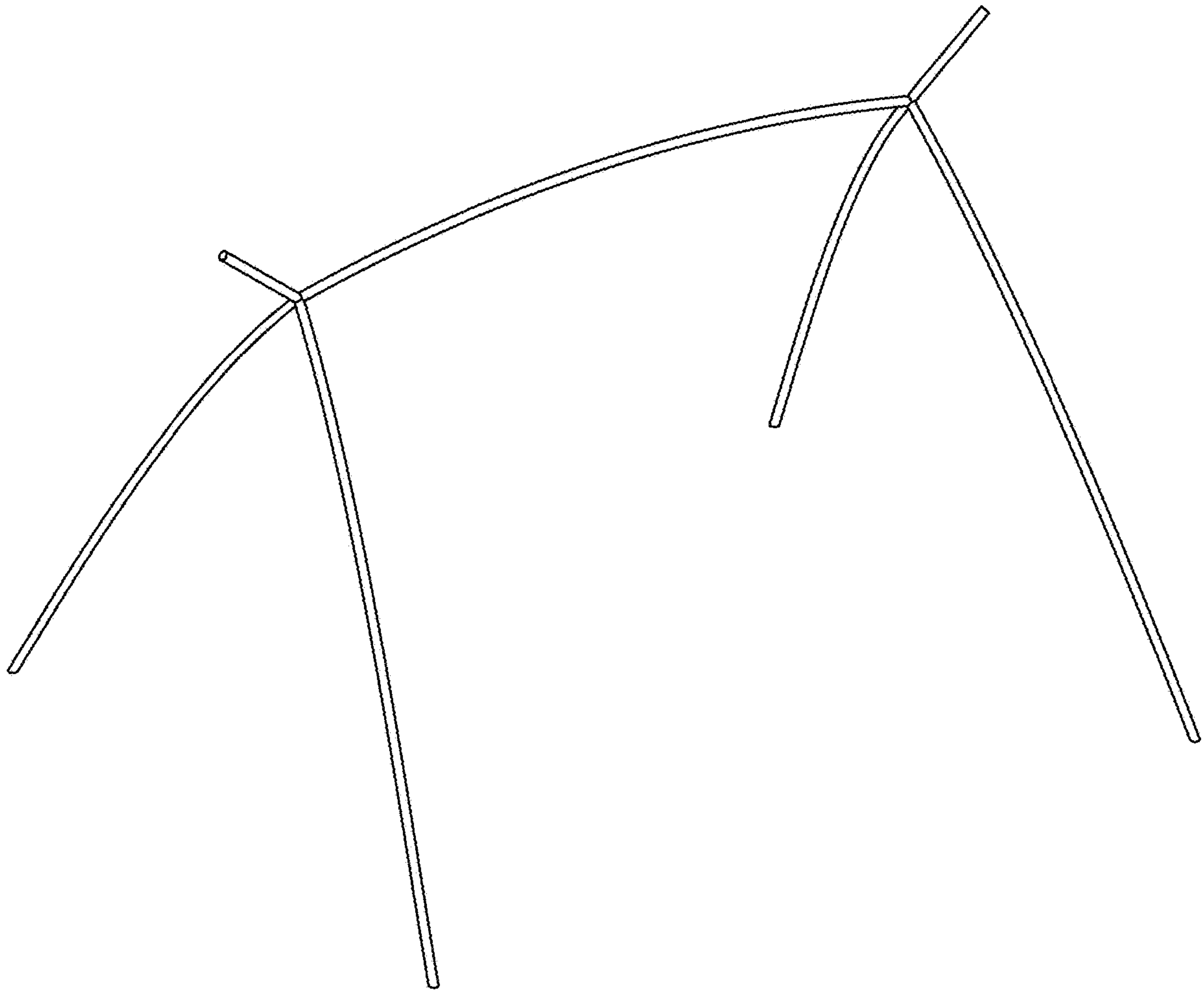
References Cited

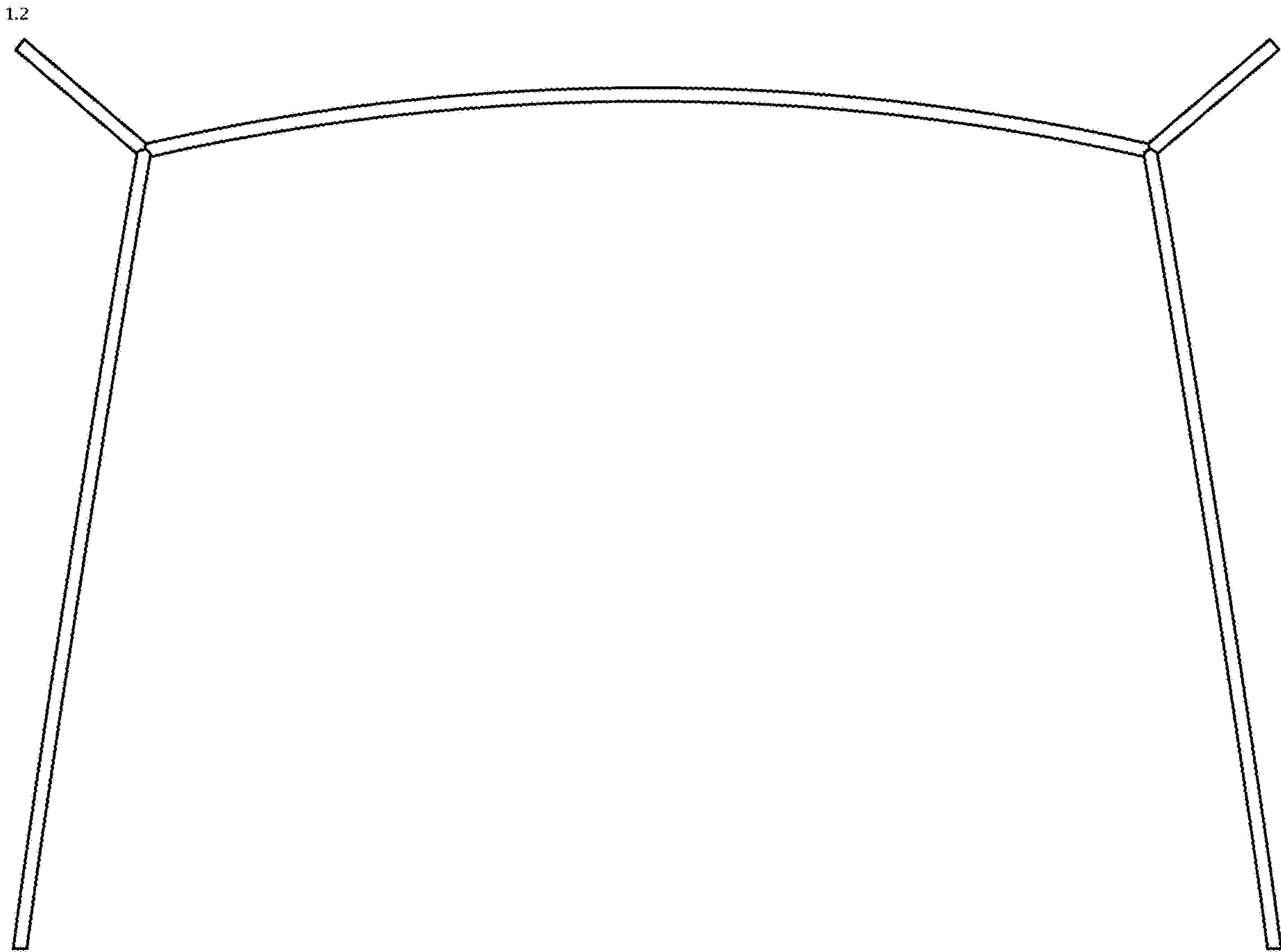
U.S. PATENT DOCUMENTS

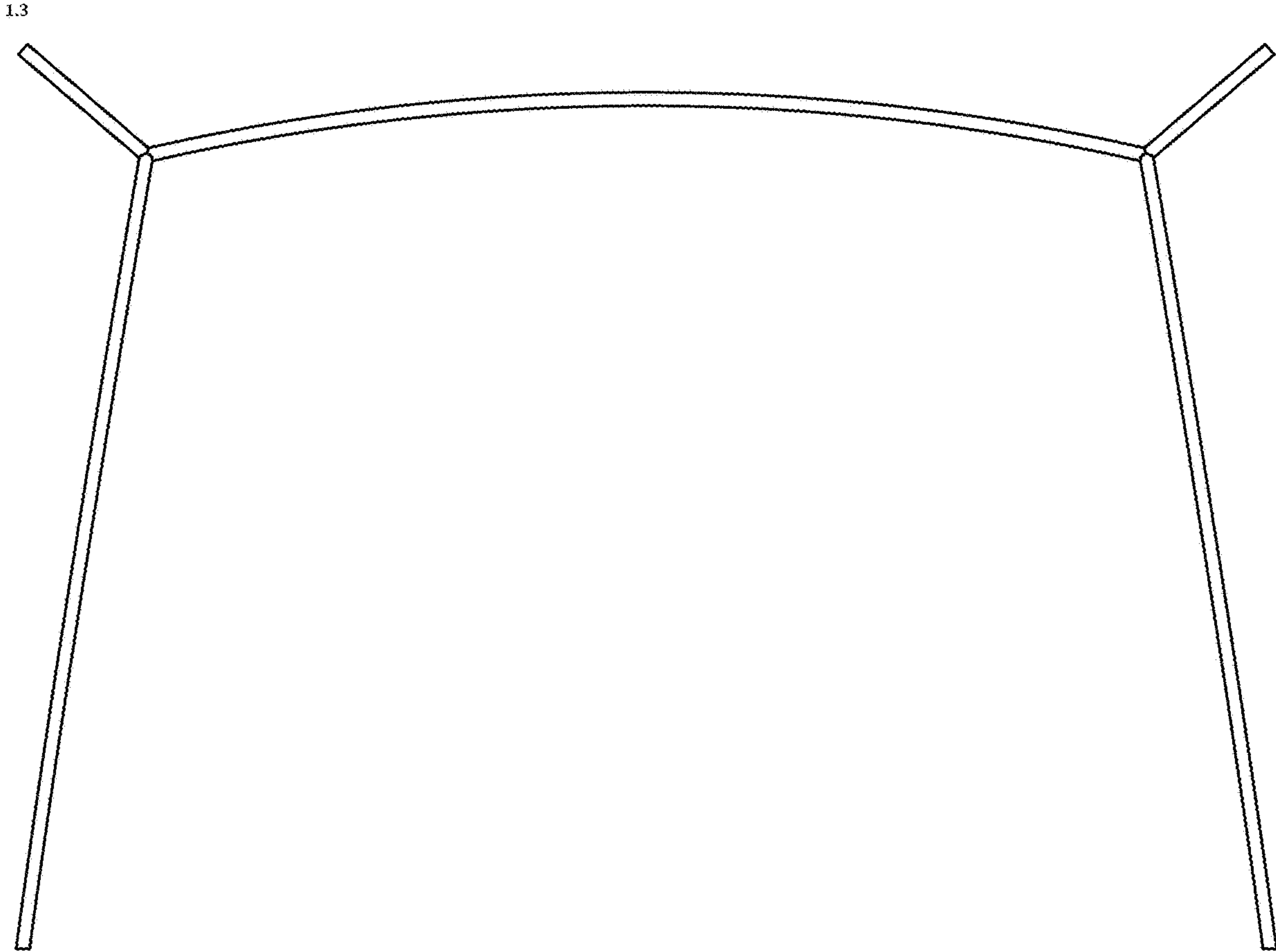
6,206,020 B1 *	3/2001	Lynch	E04H 15/50 135/128	2004/0144412 A1 *	7/2004	Tsai	E04H 15/50 135/131
6,415,806 B1 *	7/2002	Gillis	E04H 15/425 135/124	2005/0241688 A1 *	11/2005	Wu	E04H 15/48 135/145
6,463,948 B2 *	10/2002	Lee	E04H 15/425 135/136	2006/0169312 A1 *	8/2006	Choi	E04H 15/50 135/143
6,598,614 B2 *	7/2003	Liu	E04H 15/50 135/131	2007/0012347 A1 *	1/2007	Ochi	E04H 15/50 135/145
6,708,707 B2 *	3/2004	Dotterweich	E04H 15/50 135/131	2007/0051397 A1 *	3/2007	Choi	E04H 15/50 135/131
6,718,995 B2 *	4/2004	Dotterweich	E04H 15/50 135/117	2007/0144572 A1 *	6/2007	Patel	E04H 15/50 135/131
6,929,017 B2 *	8/2005	Byun	E04H 15/50 135/131	2007/0221626 A1 *	9/2007	Uchii	H01H 33/56 218/57
7,004,183 B2 *	2/2006	Gillis	E04H 15/40 135/119	2009/0032079 A1 *	2/2009	Choi	E04H 15/50 135/144
7,055,538 B2 *	6/2006	Deng	E04H 15/50 135/117	2010/0043856 A1 *	2/2010	Park	E04H 15/50 135/145
7,240,686 B2 *	7/2007	Seo	E04H 15/50 135/131	2011/0073148 A1 *	3/2011	Choi	E04H 15/50 135/145
7,296,584 B2 *	11/2007	Goldwitz	E04H 15/44 135/121	2012/0291830 A1 *	11/2012	Crimi	E04H 15/58 135/117
7,316,239 B2 *	1/2008	Yang	E04H 15/003 135/117	2013/0014794 A1 *	1/2013	Jin	E04H 15/46 135/139
7,360,549 B2 *	4/2008	Seo	E04H 15/44 135/145	2013/0247948 A1 *	9/2013	Lovley	E04H 15/50 135/145
7,395,830 B2 *	7/2008	Seo	E04H 15/46 135/120.3	2013/0284225 A1 *	10/2013	Holland	E04H 15/46 135/139
7,422,026 B2 *	9/2008	Kim	E04H 15/50 135/120.2	2014/0174491 A1 *	6/2014	Yang	E04H 15/48 135/144
8,220,477 B2 *	7/2012	Park	E04H 15/50 135/131	2014/0261601 A1 *	9/2014	Jin	E04H 15/48 135/136
8,616,226 B2 *	12/2013	Ma	E04H 15/50 135/145	2014/0261602 A1 *	9/2014	Ampoyo	E04H 15/50 135/139
D705,884 S *	5/2014	Jin	D21/834	2014/0290710 A1 *	10/2014	Choi	E04H 15/38 135/126
8,776,816 B2 *	7/2014	Danziger	E04H 15/48 135/139	2015/0083177 A1 *	3/2015	Hotes	E04H 15/32 135/151
8,910,648 B2 *	12/2014	Jin	E04H 15/48 135/114	2015/0247339 A1 *	9/2015	Lee	E04H 15/50 135/145
D726,859 S *	4/2015	Lah	D21/839	2015/0308147 A1 *	10/2015	Lee	E04H 1/1205 135/145
9,243,422 B2 *	1/2016	Hunt	E04H 15/18	2015/0376913 A1 *	12/2015	Choi	E04H 15/50 135/147
9,528,292 B1 *	12/2016	Lovley, II	E04H 15/48	2016/0108639 A1 *	4/2016	Huang	E04H 15/322 135/144
9,869,110 B2 *	1/2018	Krenzel	E04H 15/18	2016/0348392 A1 *	12/2016	Jin	E04H 15/50
D829,291 S *	9/2018	Lah	D21/834	2018/0080242 A1 *	3/2018	Choi	E04H 15/46
D854,107 S *	7/2019	Choi	D21/839	2018/0080243 A1 *	3/2018	Choi	E04H 15/50
D859,564 S *	9/2019	Choi	D21/839	2018/0106066 A1 *	4/2018	Choi	E04H 15/50
2001/0050098 A1 *	12/2001	Lee	E04H 15/425 135/156	2018/0106067 A1 *	4/2018	Choi	E04H 15/48
2002/0074032 A1 *	6/2002	Park	E04H 15/50 135/131	2018/0106068 A1 *	4/2018	Choi	E04H 15/60
				2018/0142493 A1 *	5/2018	Choi	E04H 15/50

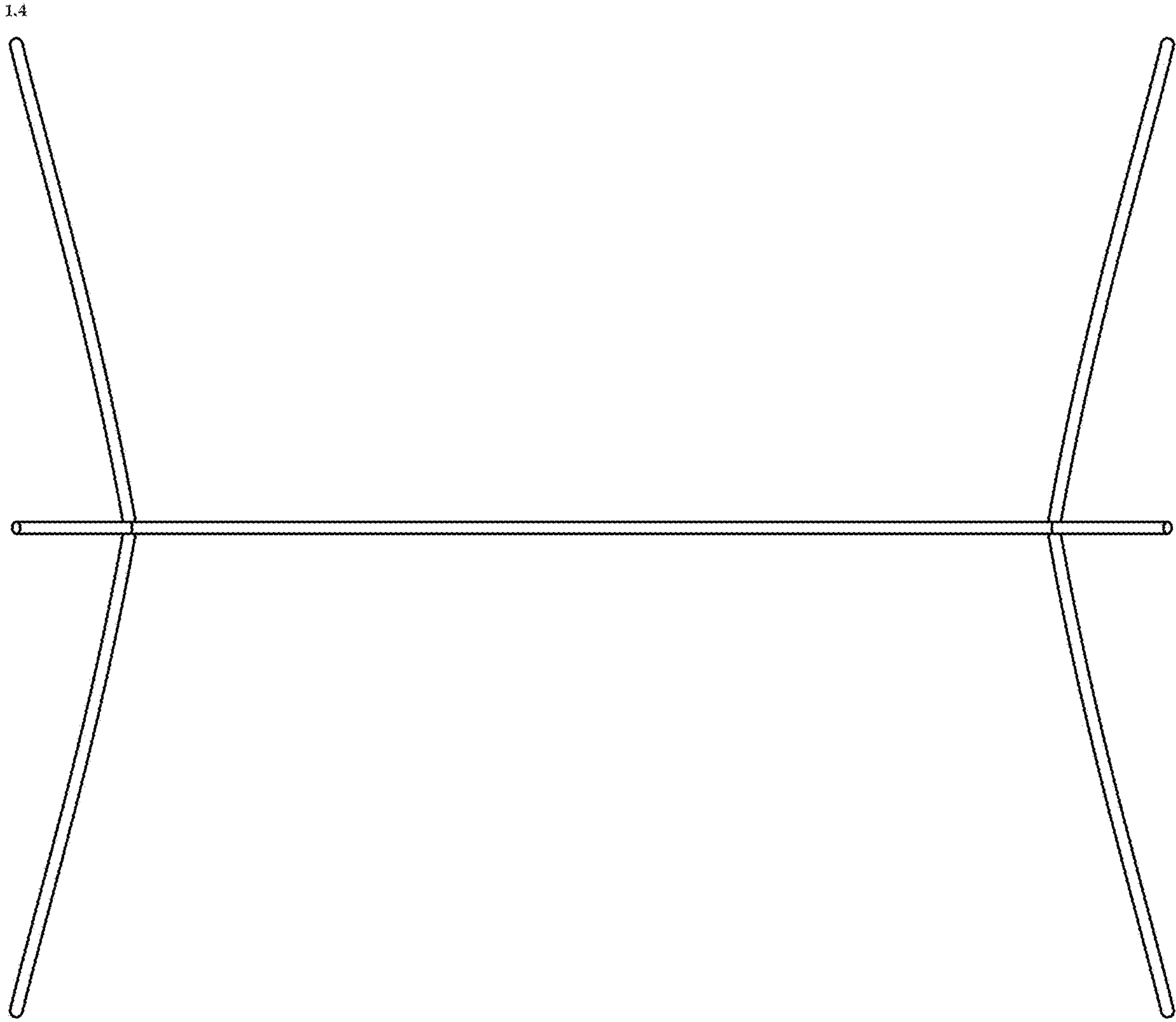
* cited by examiner

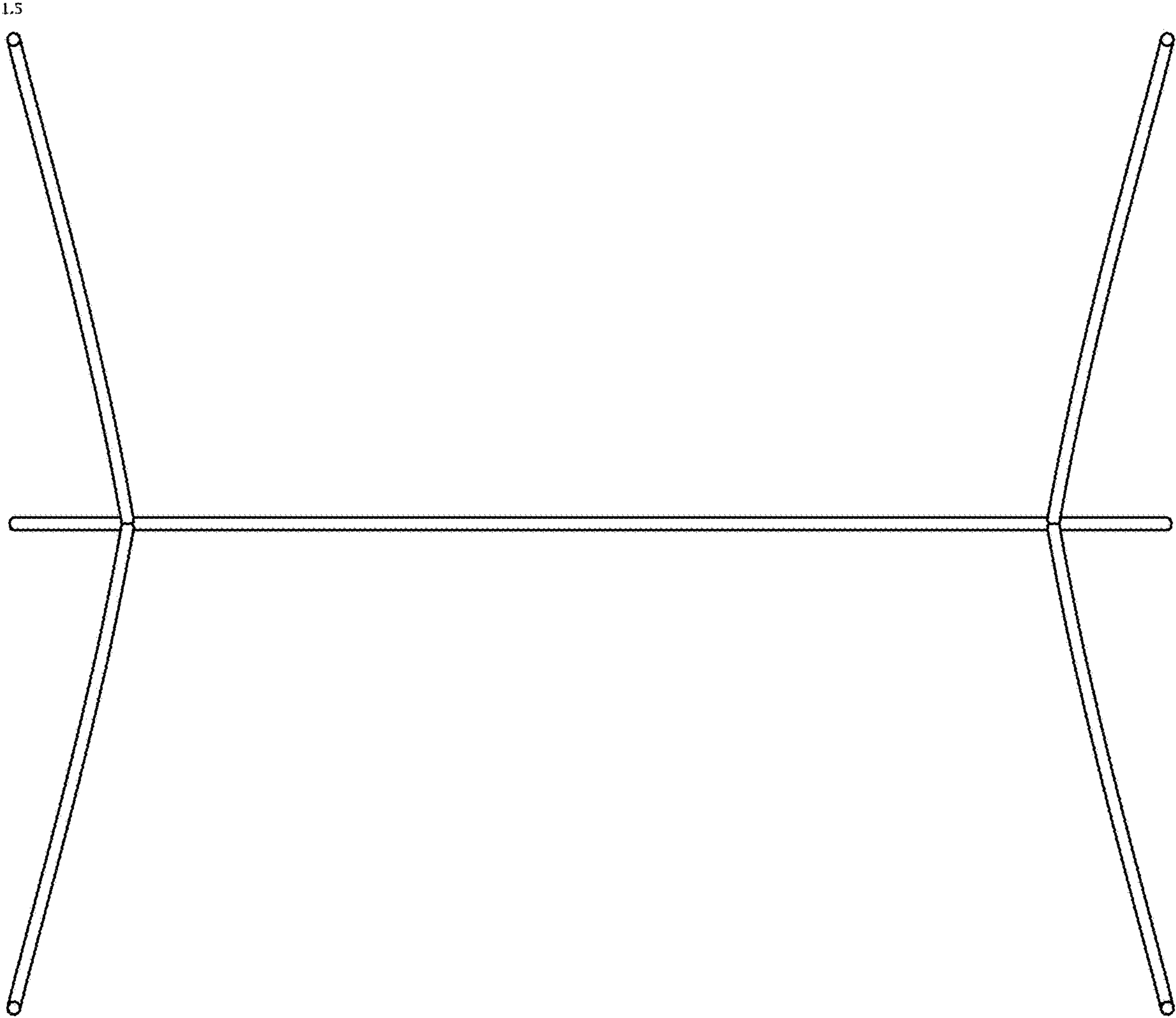
1.1



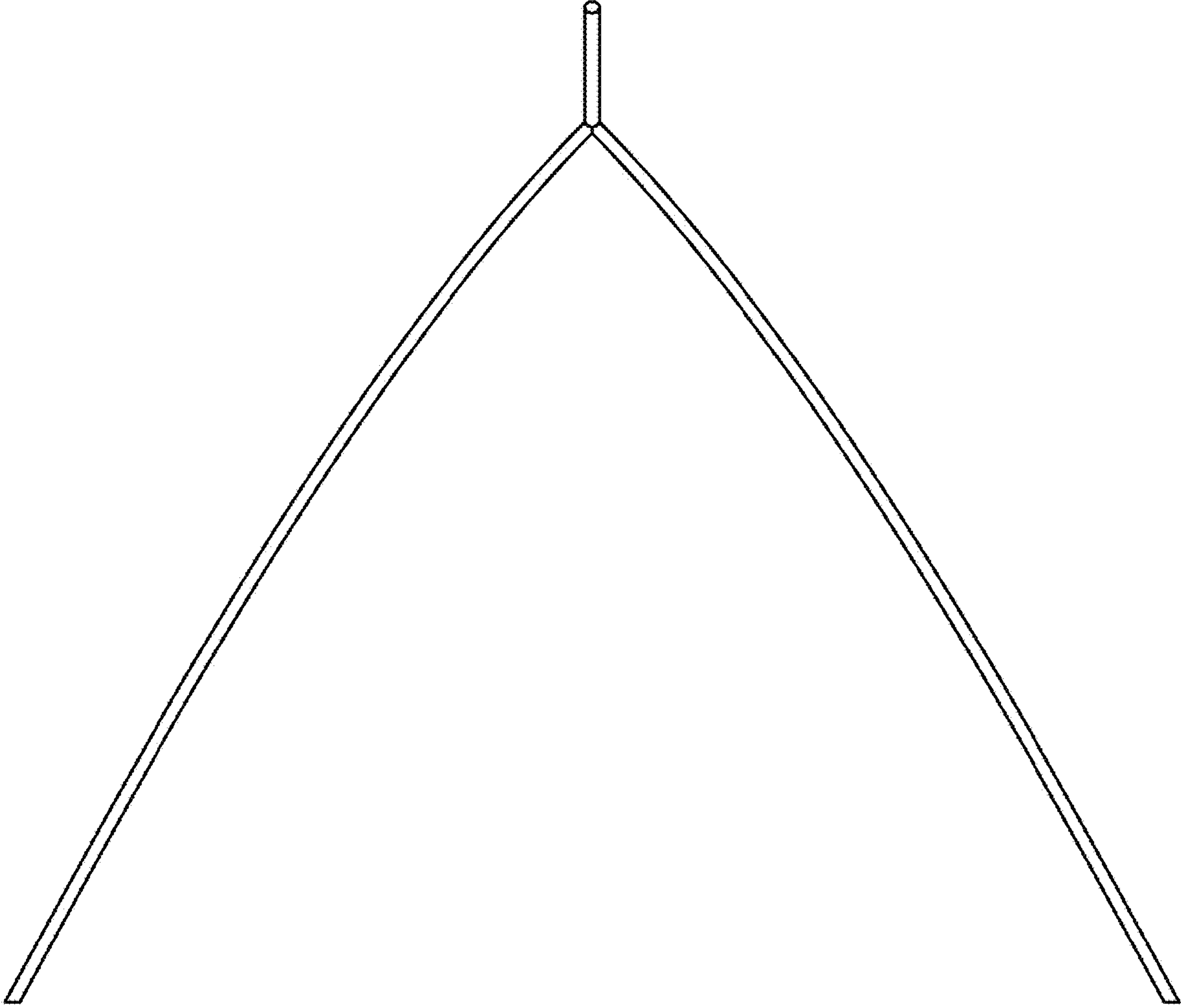








1.6



1.7

