



US00D884808S

(12) **United States Design Patent** (10) **Patent No.:** **US D884,808 S**  
**Pacheco** (45) **Date of Patent:** **\*\* May 19, 2020**

(54) **VIBRATION DAMPENER**  
(71) Applicant: **David Pacheco**, Austin, TX (US)  
(72) Inventor: **David Pacheco**, Austin, TX (US)  
(\*\*) Term: **15 Years**  
(21) Appl. No.: **29/674,908**  
(22) Filed: **Dec. 27, 2018**  
(51) **LOC (12) Cl.** ..... **21-02**  
(52) **U.S. Cl.**  
USPC ..... **D21/753**  
(58) **Field of Classification Search**  
USPC ..... D21/729-732, 753  
CPC ..... A63B 60/00; A63B 60/54  
See application file for complete search history.

5,651,545 A 7/1997 Nashif et al.  
D385,006 S \* 10/1997 Sims ..... D21/753  
D420,412 S \* 2/2000 Buck ..... D21/755  
D476,386 S 6/2003 Filippini  
D539,372 S \* 3/2007 Do ..... D21/753  
D551,309 S \* 9/2007 Sims ..... D21/753  
D562,922 S \* 2/2008 Bozof ..... D21/753  
7,987,954 B2 8/2011 McPherson  
D648,410 S \* 11/2011 Sims ..... D21/753  
D667,517 S \* 9/2012 Gehrke ..... D21/753  
D692,976 S \* 11/2013 Sims ..... D22/107  
9,360,271 B1 6/2016 McPherson  
D772,762 S \* 11/2016 Houle ..... D12/159  
D773,584 S \* 12/2016 Houle ..... D22/107  
D773,962 S \* 12/2016 Houle ..... D12/159  
9,689,640 B2 \* 6/2017 Houle ..... F41B 5/1426  
D818,152 S \* 5/2018 Stevens ..... D25/199  
10,107,585 B2 10/2018 McPherson

\* cited by examiner

*Primary Examiner* — Mitchell I. Siegel  
(74) *Attorney, Agent, or Firm* — Dunlap Bennett & Ludwig PLLC

(56) **References Cited**

U.S. PATENT DOCUMENTS

3,874,666 A 4/1975 Ross  
4,575,083 A 3/1986 Adam  
4,609,194 A 9/1986 Krent et al.  
4,761,007 A 8/1988 Boschian  
4,765,620 A \* 8/1988 Janes ..... A63B 60/54  
273/DIG. 6  
4,776,590 A \* 10/1988 Krent ..... A63B 60/54  
473/522  
4,909,509 A \* 3/1990 Boschian ..... A63B 60/54  
473/522  
4,911,445 A 3/1990 Ferrari et al.  
4,927,143 A 5/1990 Hillock  
5,096,194 A 3/1992 Yong et al.  
5,106,086 A 4/1992 Acosta  
5,149,090 A 9/1992 Chen et al.  
D331,436 S \* 12/1992 Yanahara ..... D21/729  
5,211,397 A \* 5/1993 Davis ..... A63B 60/54  
473/522  
D343,663 S \* 1/1994 Hillock ..... D21/753  
5,294,116 A 3/1994 Ahrens  
D368,749 S \* 4/1996 Severa ..... D21/753

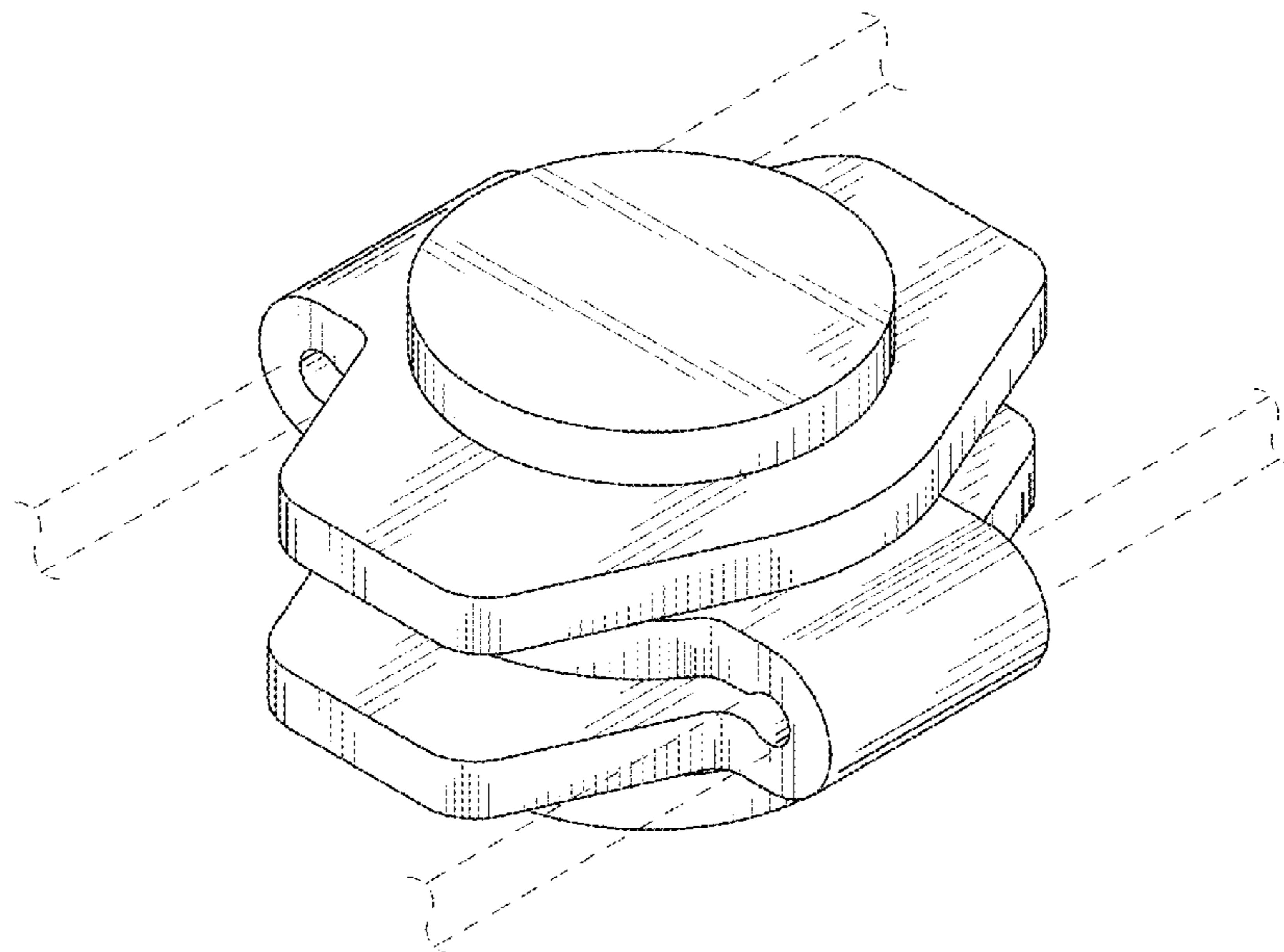
(57) **CLAIM**

The ornamental design for a vibration dampener, as shown and described.

**DESCRIPTION**

FIG. 1 is a top front perspective view of a vibration dampener;  
FIG. 2 is a front elevation view thereof, the rear elevation view being a mirror image thereof;  
FIG. 3 is a right elevation view thereof;  
FIG. 4 is a left elevation view thereof; and,  
FIG. 5 is a top elevation view thereof, the bottom elevation view being a mirror image thereof.  
The broken lines shown in the drawings depict strings of a tennis racket that form no part of the claimed invention.

**1 Claim, 3 Drawing Sheets**



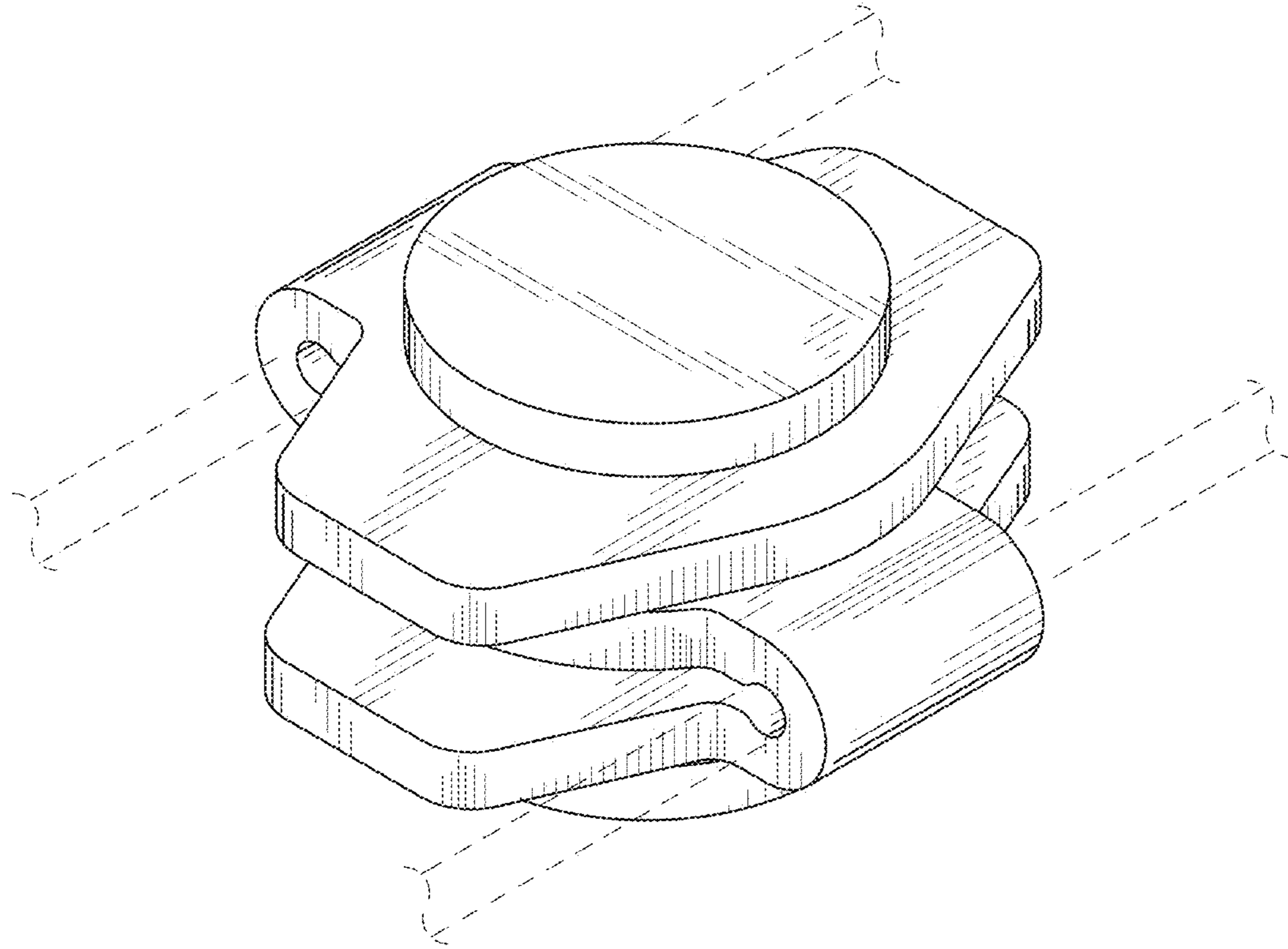


FIG. 1

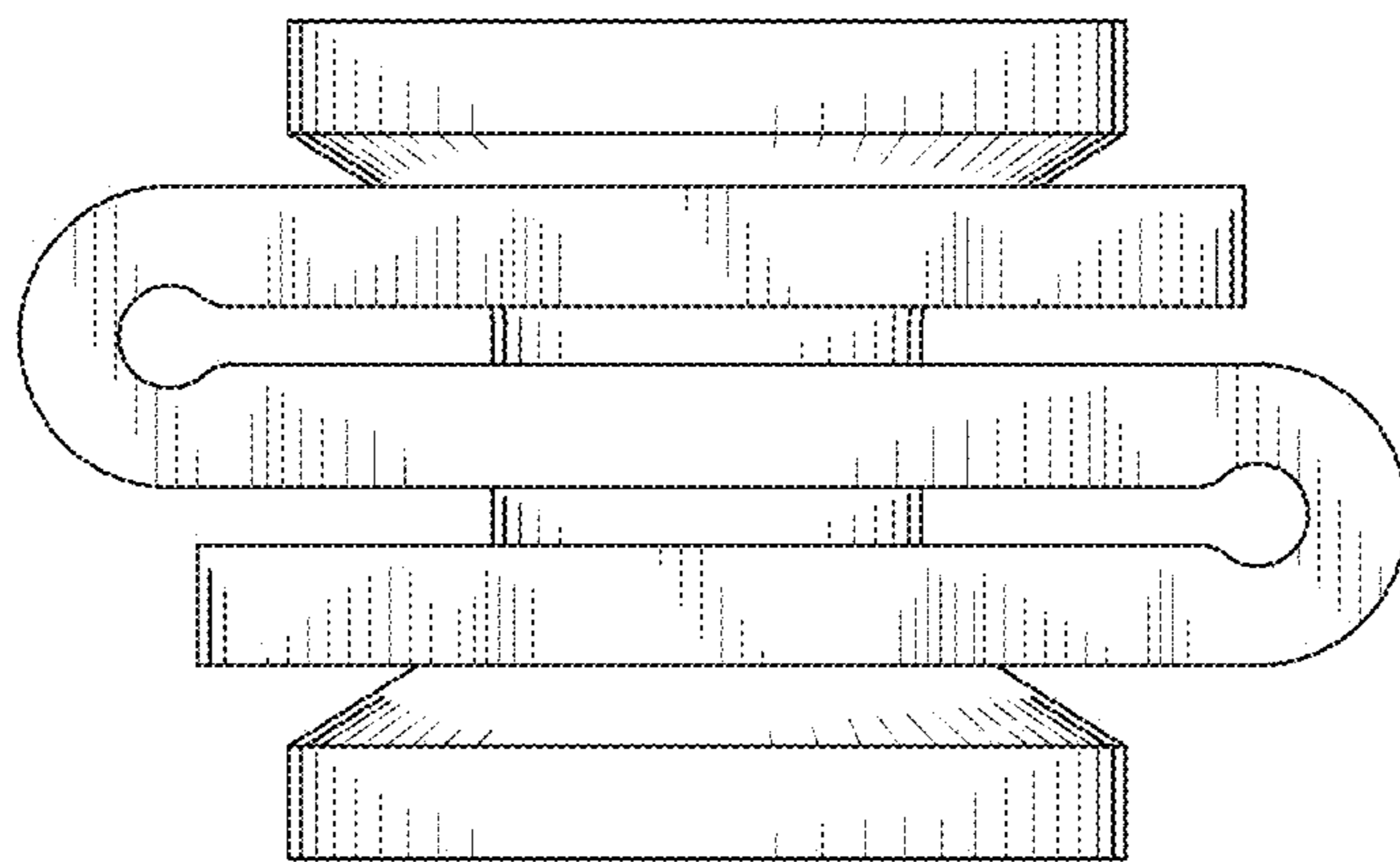


FIG. 2

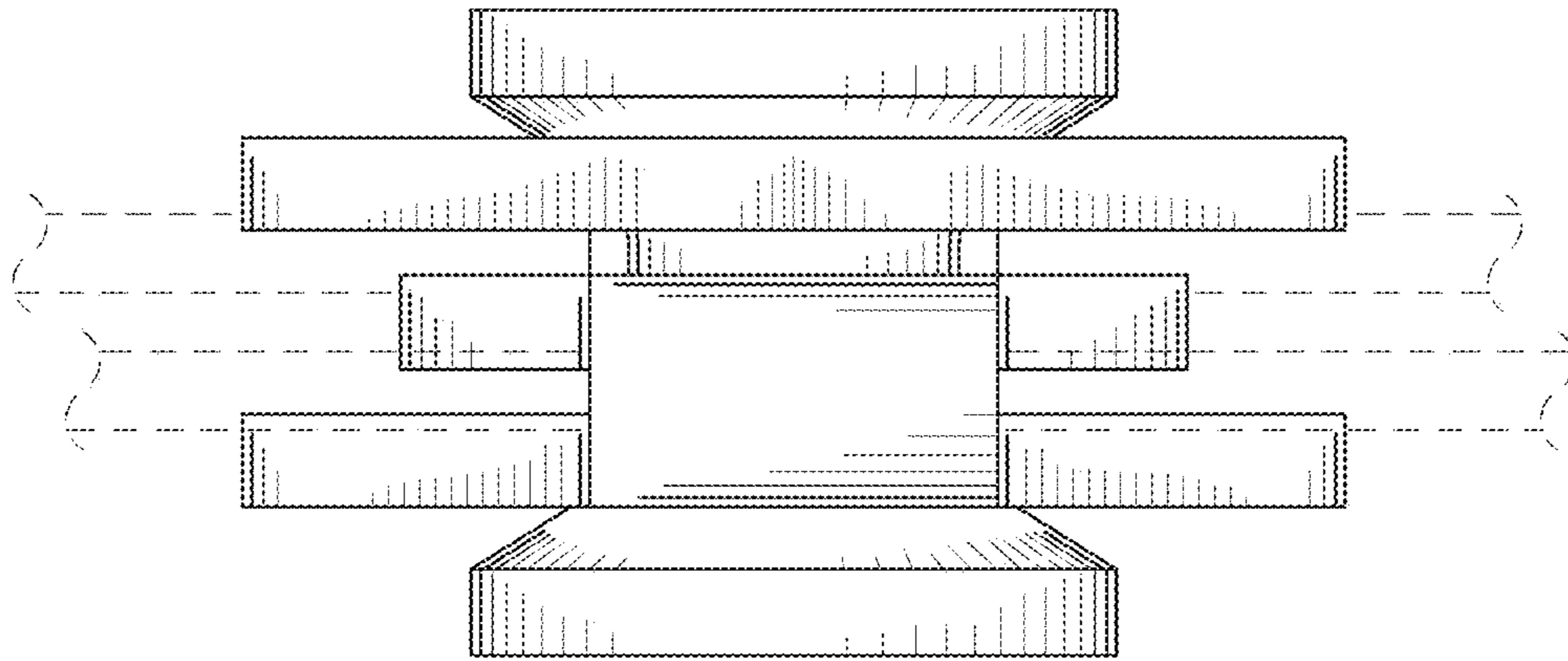


FIG. 3

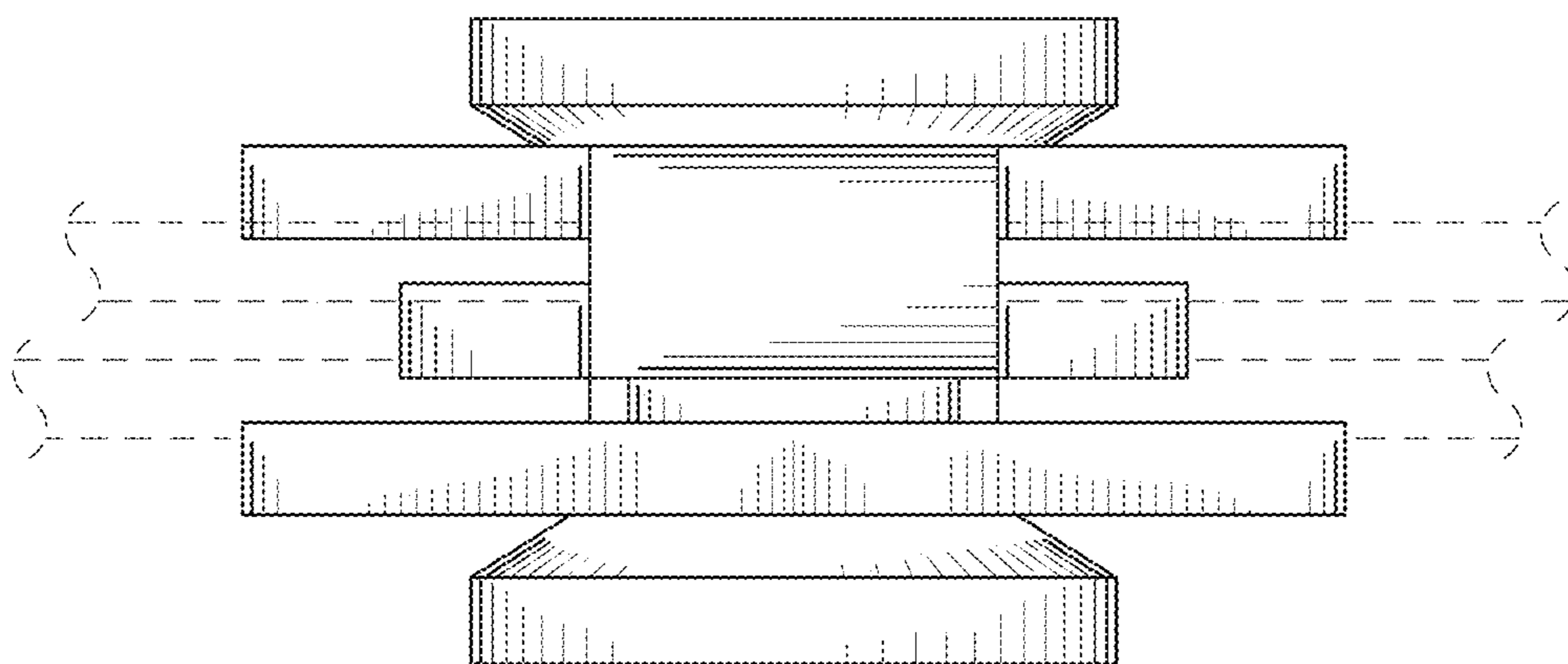


FIG. 4

