



US00D884807S

(12) **United States Design Patent**
Kitching, Jr. et al.

(10) **Patent No.:** **US D884,807 S**

(45) **Date of Patent:** **** May 19, 2020**

(54) **IRON GOLF CLUB HEAD**

D681,143 S * 4/2013 Nicolette D21/749
D817,421 S * 5/2018 Tang D21/759
D823,957 S * 7/2018 Becktor D21/747

(71) Applicant: **Acushnet Company**, Fairhaven, MA
(US)

* cited by examiner

(72) Inventors: **Joseph F. Kitching, Jr.**, Carlsbad, CA
(US); **Joshua G. Breier**, Vista, CA
(US)

Primary Examiner — Mitchell I. Siegel

(74) *Attorney, Agent, or Firm* — Randy K. Chang

(73) Assignee: **Acushnet Company**, Fairhaven, MA
(US)

(**) Term: **15 Years**

(57) **CLAIM**

(21) Appl. No.: **29/670,208**

The ornamental design for iron golf club head, as shown and described.

(22) Filed: **Nov. 14, 2018**

(51) **LOC (12) Cl.** **21-02**

(52) **U.S. Cl.**

USPC **D21/747**

(58) **Field of Classification Search**

USPC D21/747-751, 759

CPC A63B 53/00; A63B 53/02; A63B 53/04;

A63B 53/047; A63B 53/0475; A63B

2053/0479; A63B 2053/0483; A63B

2053/0445; A63B 60/00; A63B 60/46

See application file for complete search history.

DESCRIPTION

FIG. 1 is a perspective back view of our new design for a iron golf club head;

FIG. 2 is a back view thereof;

FIG. 3 is a front view thereof;

FIG. 4 is a toe view thereof;

FIG. 5 is heel view thereof;

FIG. 6 is a top view thereof; and,

FIG. 7 is a bottom sole view thereof.

The broken lines shown on the drawing is included for the purpose of illustrating unclaimed subject matter and forms no part of the claimed design.

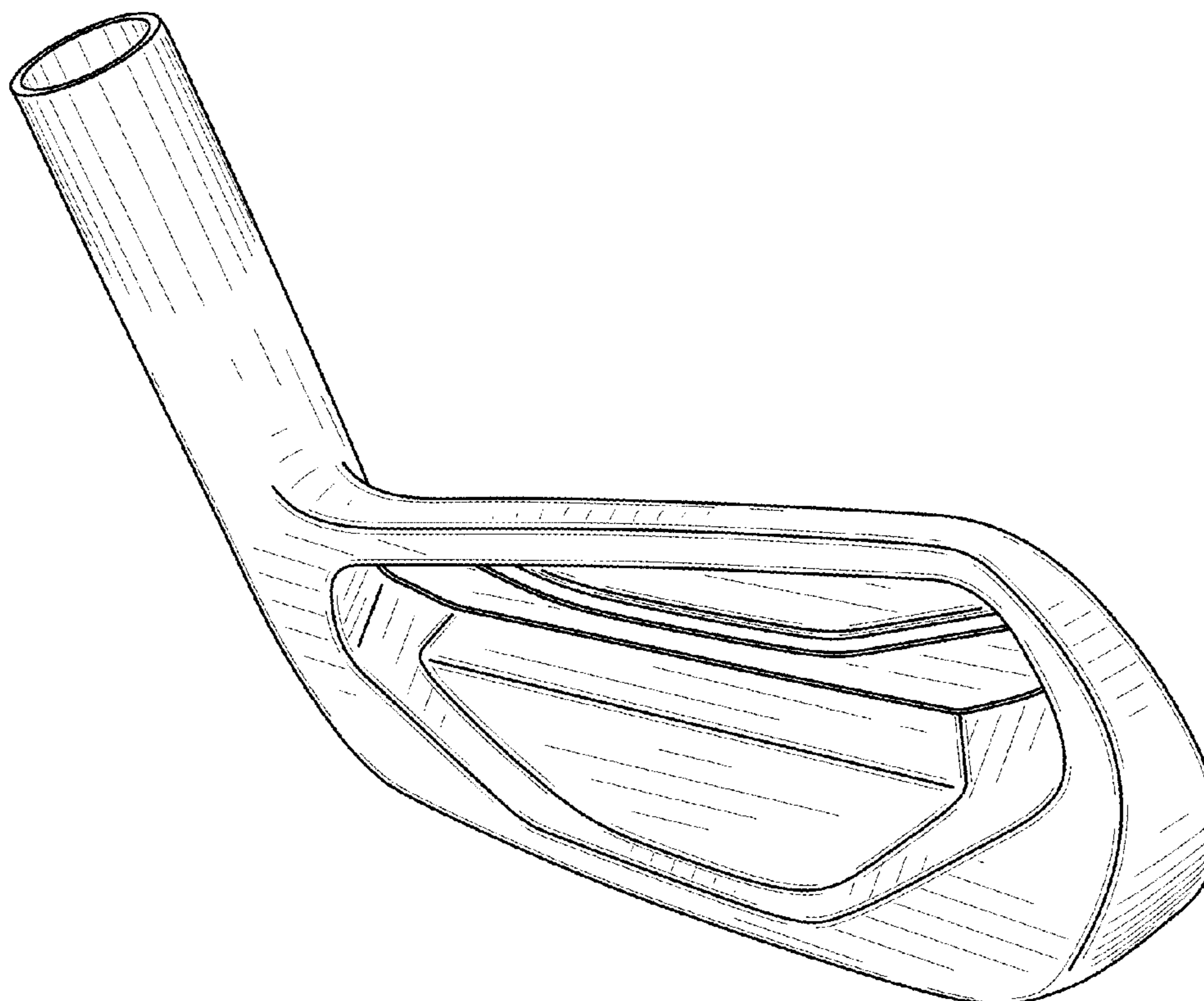
(56) **References Cited**

U.S. PATENT DOCUMENTS

D577,087 S * 9/2008 Roach D21/749

D591,808 S * 5/2009 Clausen D21/747

1 Claim, 3 Drawing Sheets



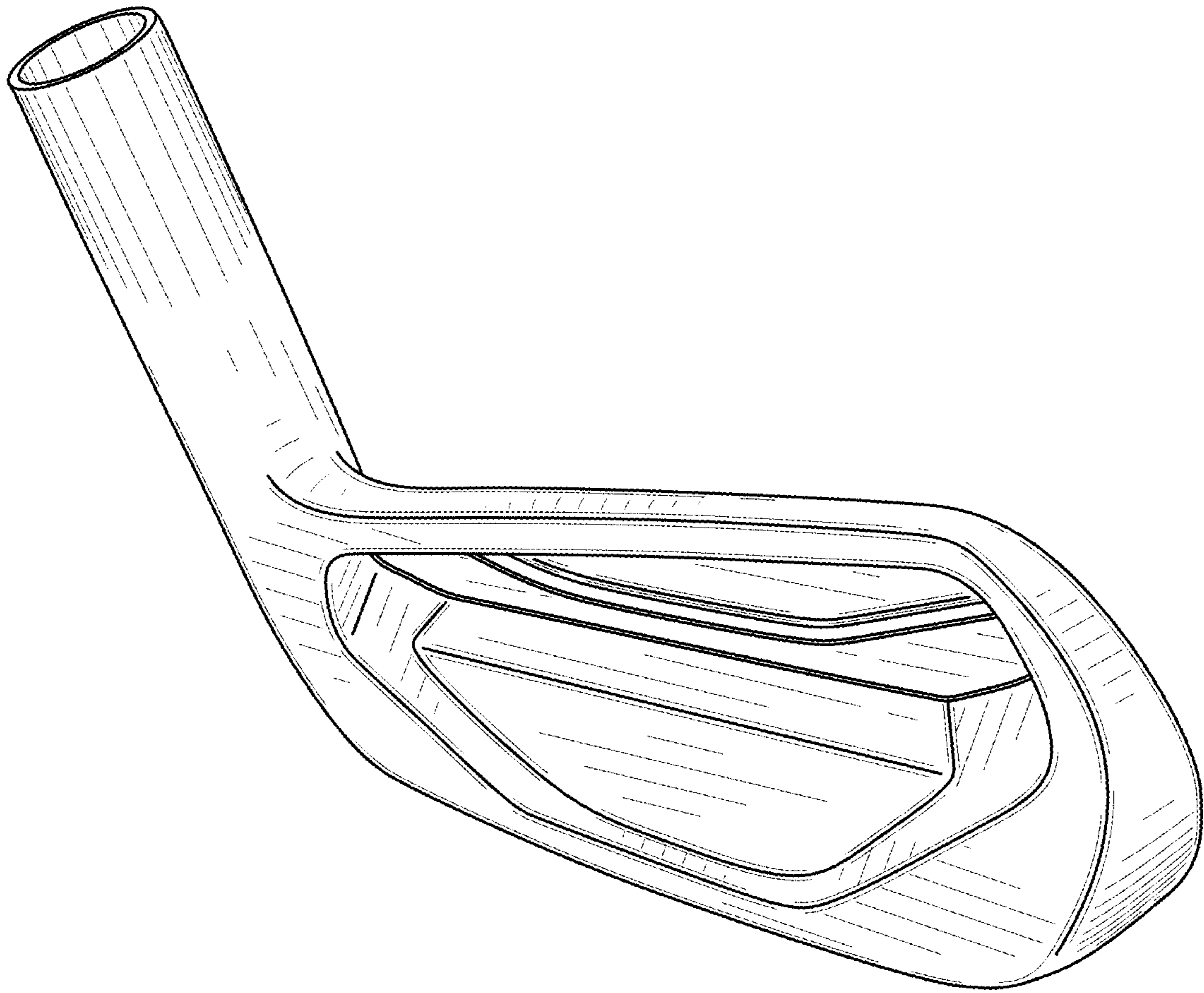


FIG. 1

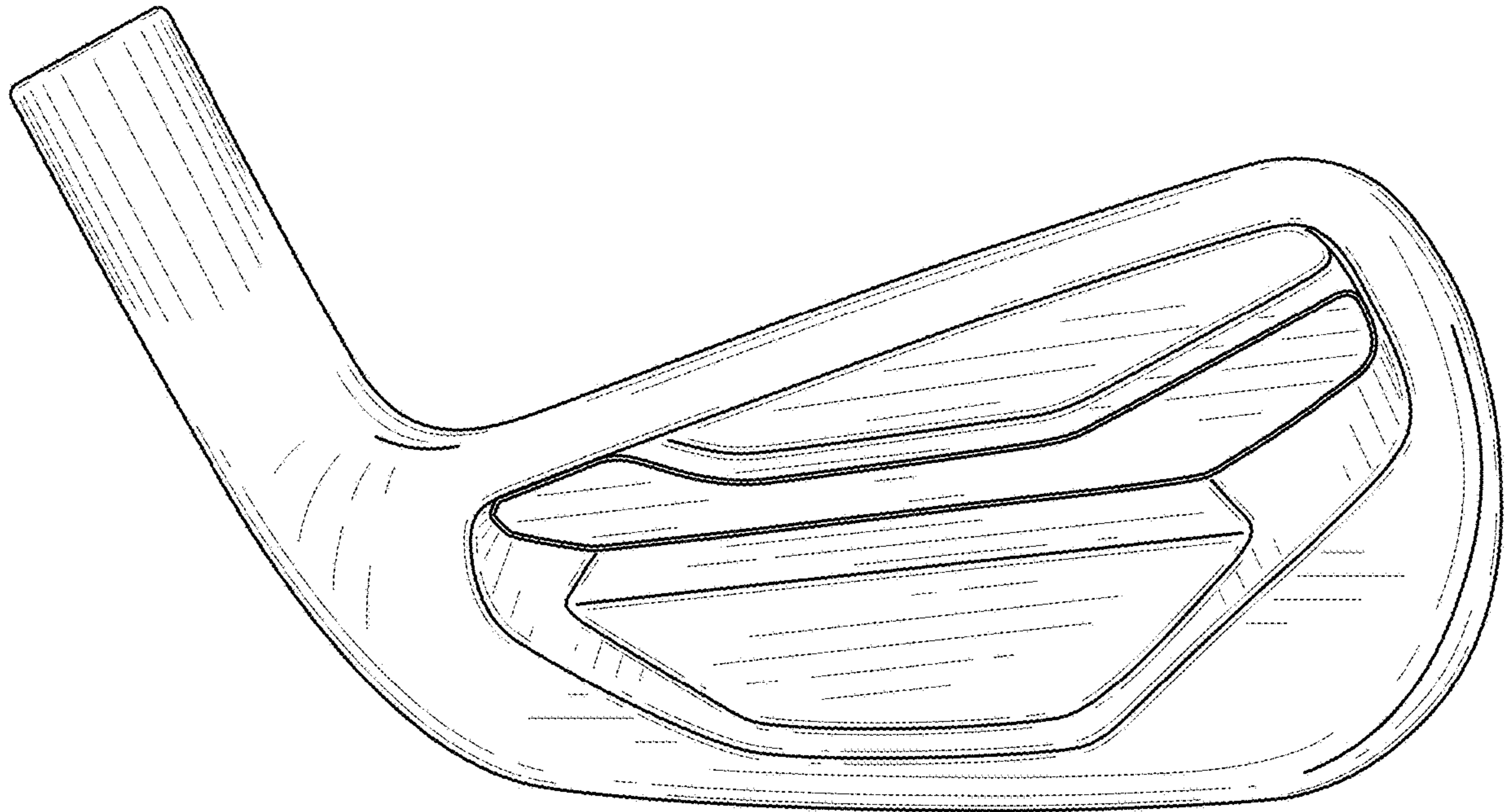


FIG. 2

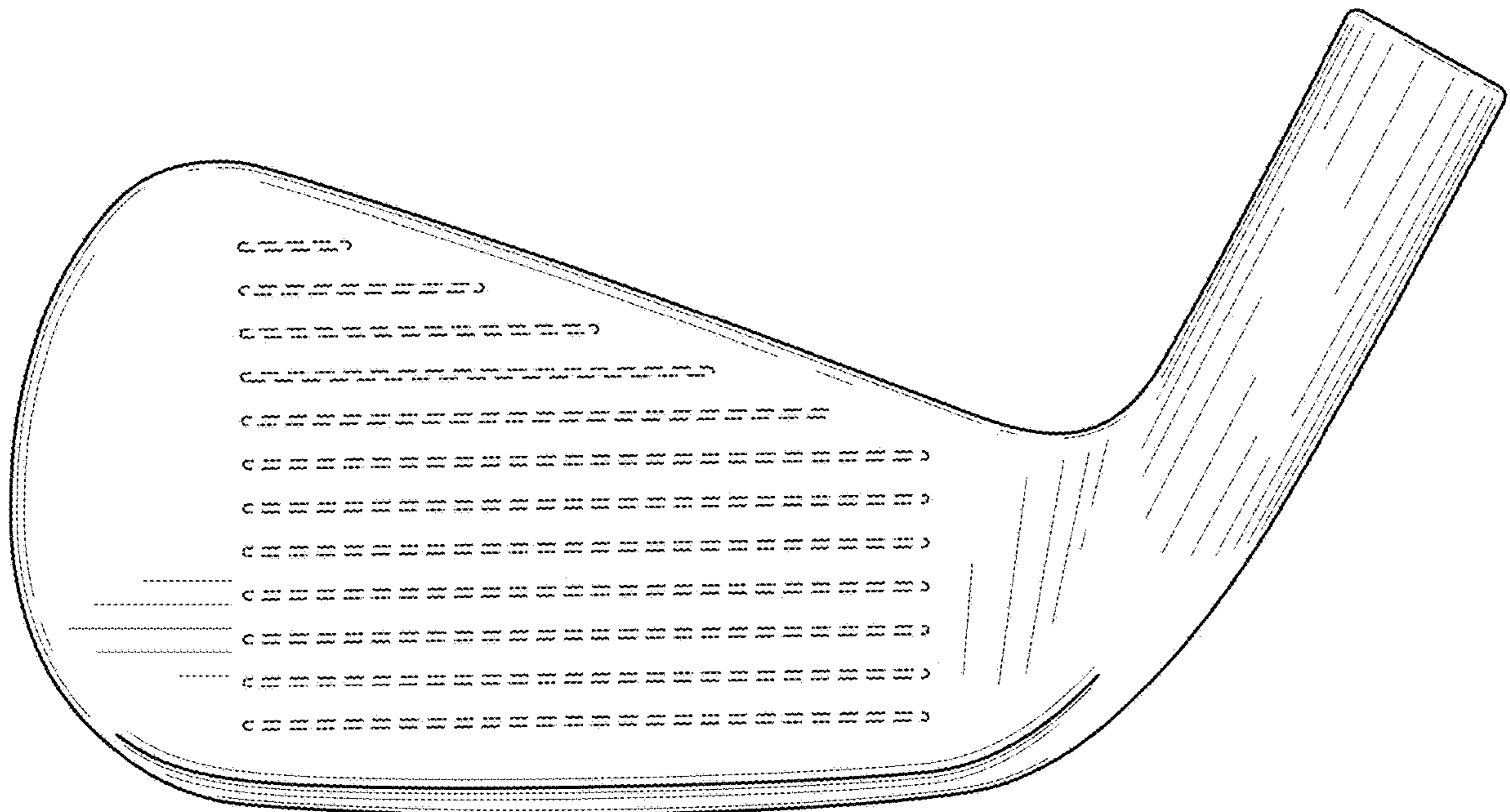


FIG. 3

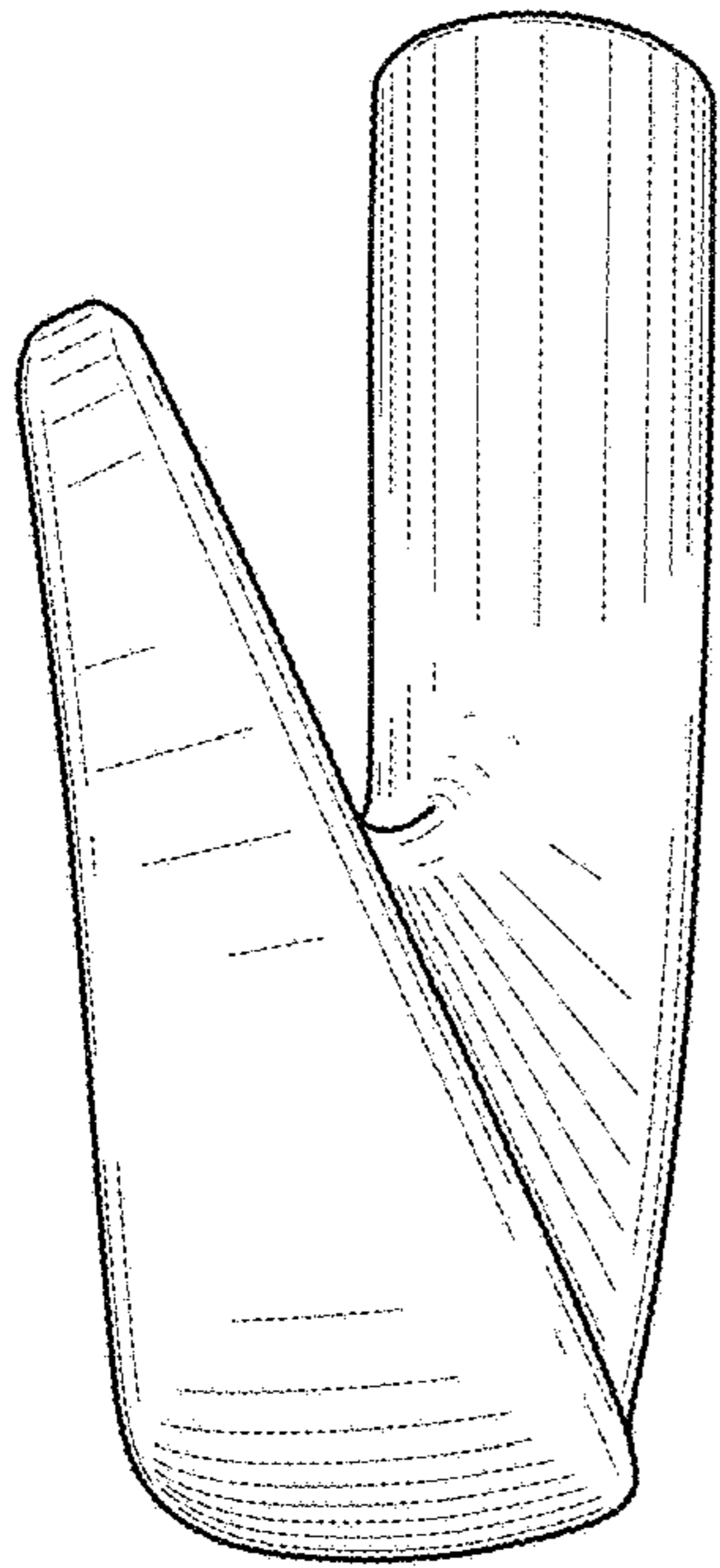


FIG. 4

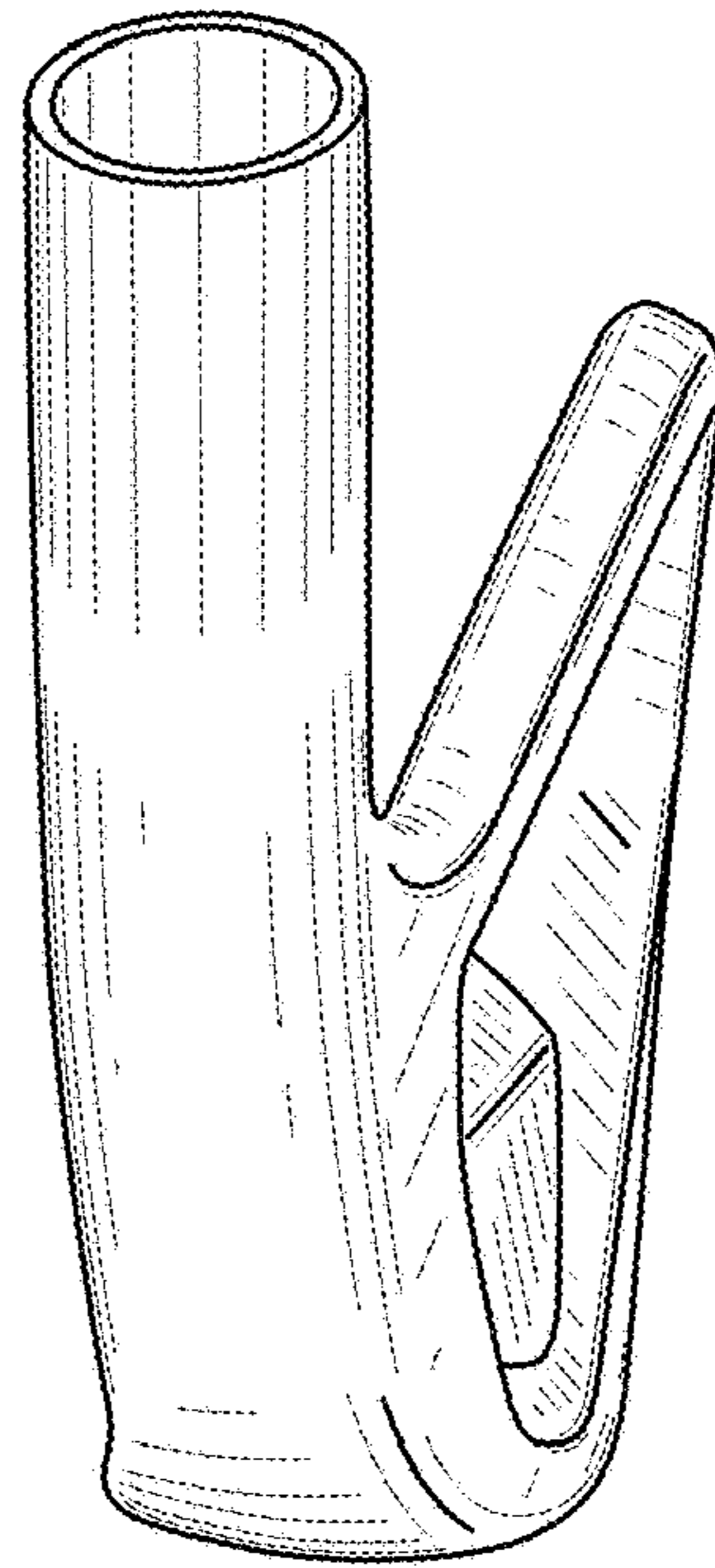


FIG. 5

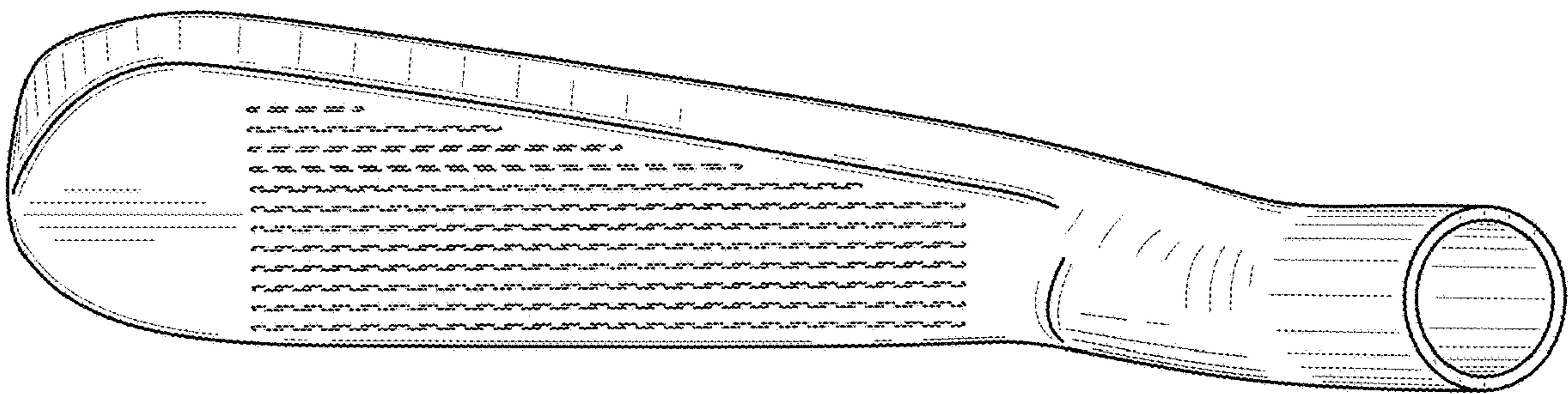


FIG. 6

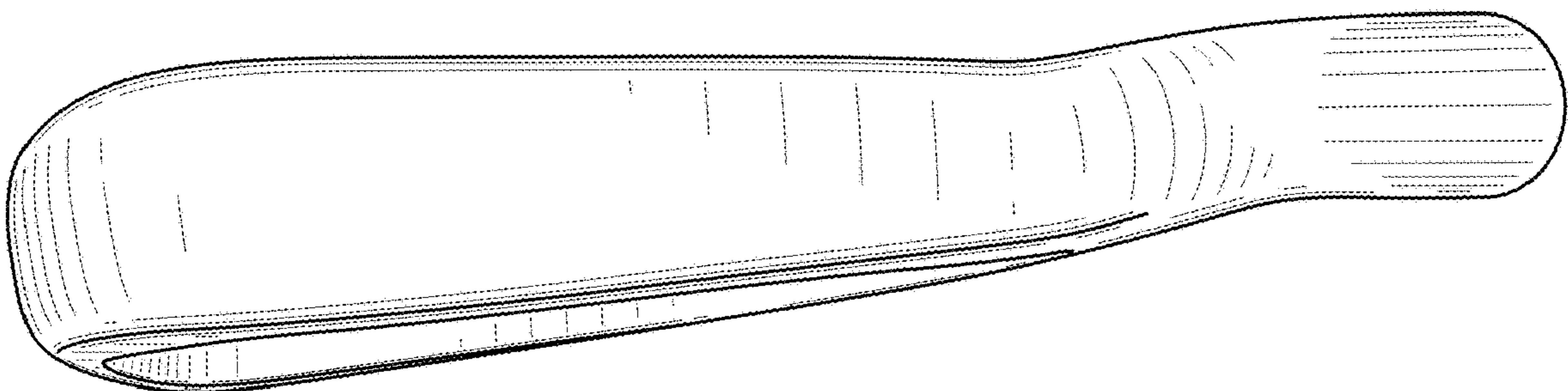


FIG. 7